



**DA
C
A**



1 00195



2 02716



2 02716



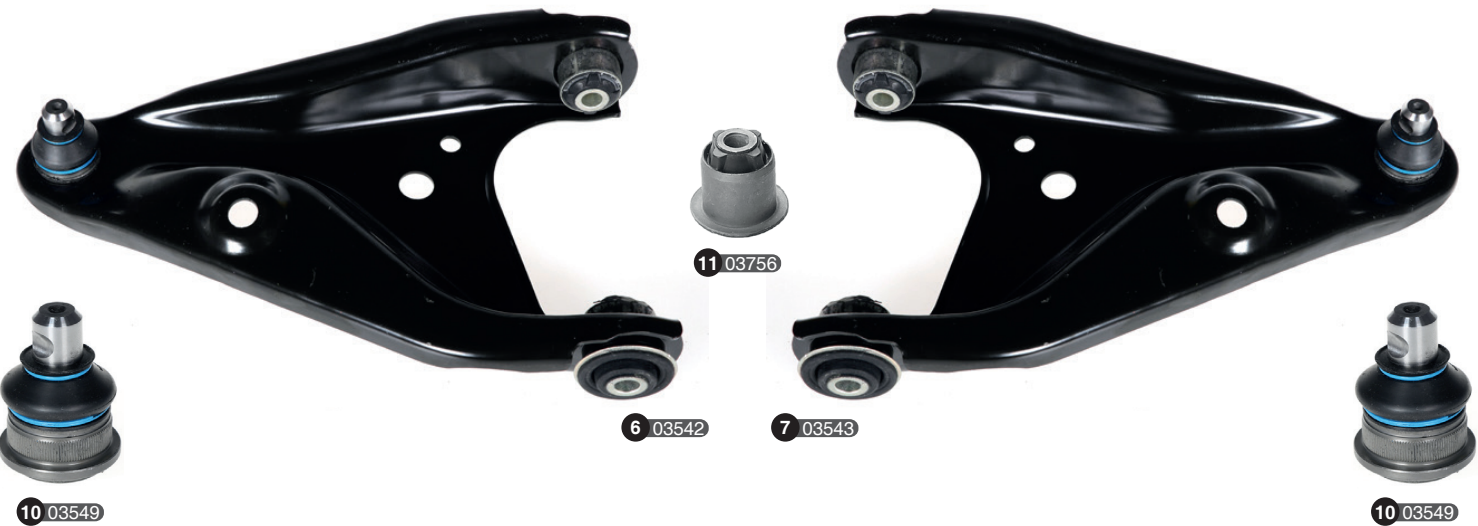
1 00195



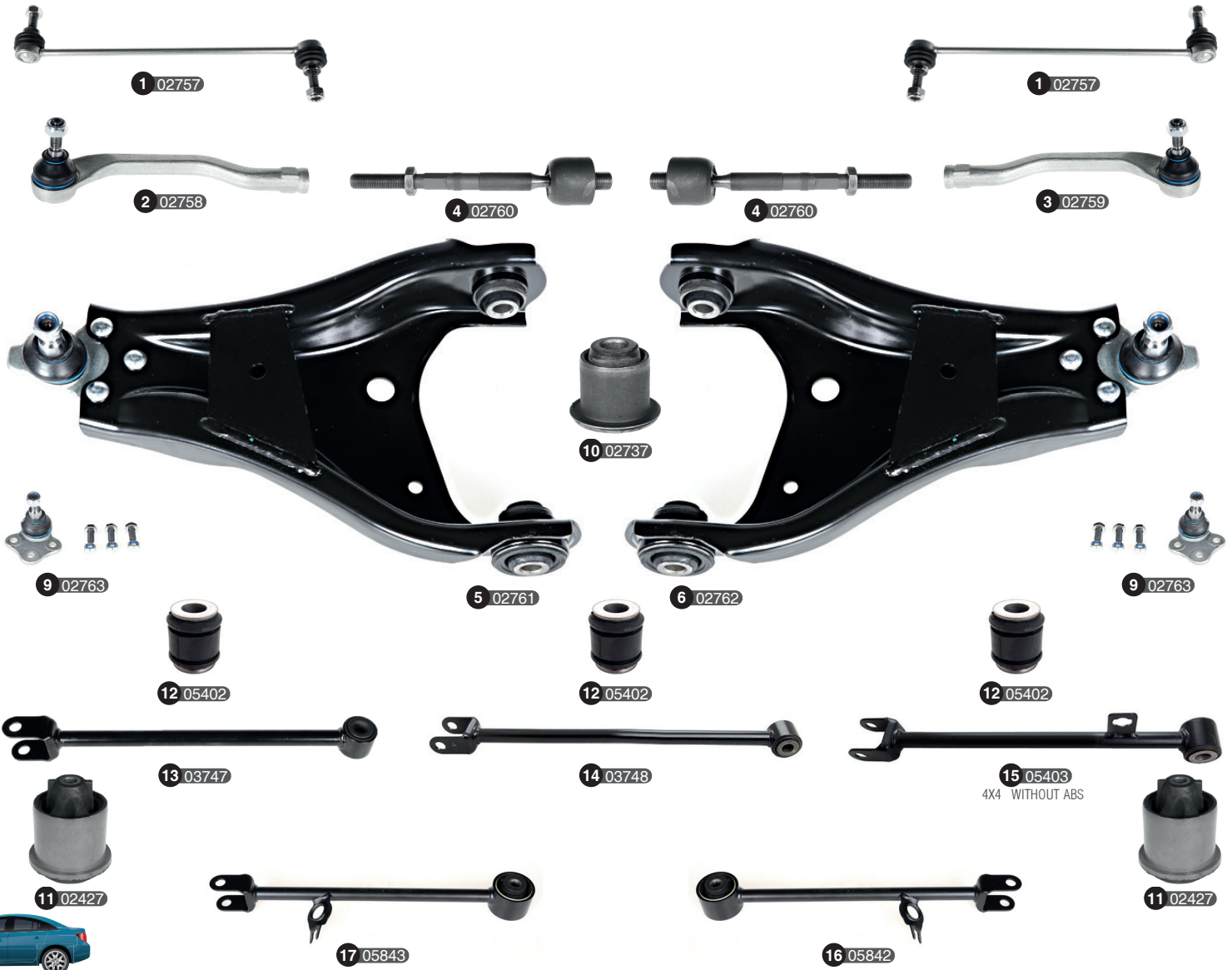
Ref	Old code	CODE	Description	OE - Number	OE - Number	FEATURES	Ref	Old code	CODE	Description	OE - Number	OE - Number	FEATURES
1	DA148	00195	Tie rod end	6001546523	-	M10x1,25-Male-M14x1,5-105mm	2	-	02716	Axial joint	X00037	-	M14x1,5-M12x1-195 mm



Ref	Old code	CODE	Description	OE - Number	OE - Number	FEATURES	Ref	Old code	CODE	Description	OE - Number	OE - Number	FEATURES
1	RN003	01037	Control arm complete	7700562943	7701590974	150,5 mm	4		01194	Ball joint	7701455905	7701468821	M12x1,25
							5		01044	Bushing	7700514109	7704001601	-
2	RN002	01036	Control arm w/o ball joint	7700562943 Part of	-	150,5 mm	6		01040	Control arm complete	7701552545	7702252969	Upper
							7		01041	Bushing	7700514110		
3	RN007	01039	Control arm w/o ball joint	7701552545 Part of	-	306 mm UPPER	8		01193	Ball joint	7701460885		Upper



Ref	Old code	CODE	Description	OE - Number	OE - Number	FEATURES	Ref	Old code	CODE	Description	OE - Number	OE - Number	FEATURES
1	DA136	00182	Stabilizer link	6001547138	8200277960	M8x1,25-74 mm	6	-	03542	Control arm complete-L	545010294R	545011727R	18-308 mm
2	-	05009	Stabilizer mounting	6001547140	6001549311	-	7	-	03543	Control arm complete-R	545004529R	545007106R	308 mm
3	DA139-L	00183	Tie rod end-L	6001547610	485202867R	M10x1,25-Female-M14x1,5-213 mm	8	-	03544	Control arm w/o ball joint-L	545010294R Part of	-	308 mm
4	DA139-R	00184	Tie rod end-R	6001547611	485200410R	M10x1,25-Female-M14x1,5-213 mm	9	-	03545	Control arm w/o ball joint-R	545004529R Part of	-	308 mm
5	-	03548	Axial joint	485213172R	-	M14x1,5-M14x1,5-193 mm	10	-	03549	Ball Joint	545004529R Part of	-	18
							11	-	03756	Bushing	6640096299	545011727R	-



Ref	Old code	CODE	Description	OE - Number	OE - Number	FEATURES	Ref	Old code	CODE	Description	OE - Number	OE - Number	FEATURES
1	-	02757	Stabilizer link	8200814411	-	M10x1,5-294 mm	8	-	02743	Control arm w/o ball joint-R	545001535R Part of	545006542R	272,2 mm
2	-	02758	Tie rod end-L	8201108332	-	M10x1,25-Male-M14x1,5-220 mm	9	-	02763	Ball joint	401602308R	-	M12x1,25
3	-	02759	Tie rod end-R	8201108339	-	M10x1,25-Male-M14x1,5-220 mm	10	-	02737	Bushing	545006542R Part of	545006542R	-
4	-	02760	Axial joint	8201108350	-	M14x1,5-M16x1,5-205 mm	11	-	02427	Bushing	6001549988	8200287912	-
5	-	02761	Control arm complete-L	545016746R	545019969R	M12x1,25-331,2 mm	12	-	05402	Bushing	8200839121	-	-
6	-	02762	Control arm complete-R	545001535R	545006542R	M12x1,25-331,2 mm	13	-	03747	Track rod	8200839124	-	400 mm-14.2-40 mm
7	-	02742	Control arm w/o ball joint-L	545016746R Part of	545019969R	272,2 mm	14	-	03748	Track rod	8200839119	-	465 mm-14.2-40 mm
							15	-	05403	Track rod	551209341R	-	-
							16	-	05842	Track rod - L	551119305R	-	-
							17	-	05843	Track rod - R	551107894R	-	-



1 00182



2 05009



2 05009



1 00182



3 00183



5 03548



5 03548



4 00184



6 03542



11 03756



7 03543



10 03549



10 03549



Ref	Old code	CODE	Description	OE - Number	OE - Number	FEATURES	Ref	Old code	CODE	Description	OE - Number	OE - Number	FEATURES
1	DA136	00182	Stabilizer link	6001547138	8200277960	M8x1,25-74 mm	6	-	03542	Control arm complete-L	545010294R	545011727R	18-308 mm
2	-	05009	Stabilizer mounting	6001547140	6001549311	-	7	-	03543	Control arm complete-R	545004529R	545007106R	308 mm
3	DA139-L	00183	Tie rod end-L	6001547610	485202867R	M10x1,25-Female-M14x1,5-213 mm	8	-	03544	Control arm w/o ball joint-L	545010294R Part of	-	308 mm
4	DA139-R	00184	Tie rod end-R	6001547611	485200410R	M10x1,25-Female-M14x1,5-213 mm	9	-	03545	Control arm w/o ball joint-R	545004529R Part of	-	308 mm
5	-	03548	Axial joint	485213172R	-	M14x1,5-M14x1,5-193 mm	10	-	03549	Ball Joint	545011727R	-	18
							11	-	03756	Bushing	6640096299	545011727R	-



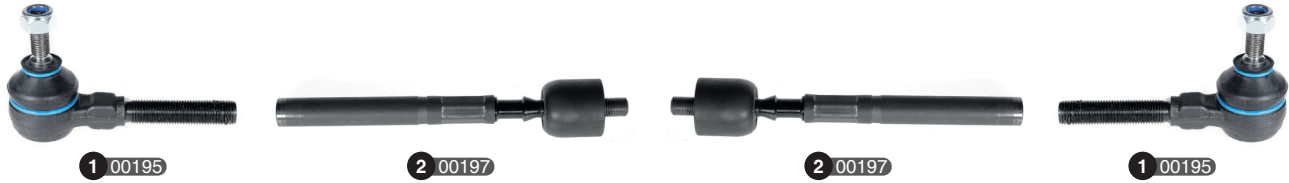
DACIA LOGAN (09/2004-->)
DACIA LOGAN Pick-up (03/2008-->)
DACIA LOGAN MCV (04/2007-->)
DACIA LOGAN VAN (EXPRESS) (03/2009-->)



Ref	Old code	CODE	Description	OE - Number	OE - Number	FEATURES	Ref	Old code	CODE	Description	OE - Number	OE - Number	FEATURES
1	DA136	00182	Stabilizer link	6001547138	8200277960	M8x1,25-74 mm	6	DA143-L	00188	Control arm complete-L	6001547520	545019294R	308 mm
2	-	05009	Stabilizer mounting	6001547140	6001549311	-	7	DA143-R	00189	Control arm complete-R	6001547519	545004269R	308 mm
3	DA139-L	00183	Tie rod end-L	6001547610	485202867R	M10x1,25-Female-M14x1,5-213 mm	8	-	00186	Control arm w/o ball joint-L	545011362R Part of	545019294R	308 mm
4	DA139-R	00184	Tie rod end-R	6001547611	485200410R	M10x1,25-Female-M14x1,5-213 mm	9	-	00187	Control arm w/o ball joint-R	545000794R Part of	545004269R	308 mm
5	DA140	00185	Axial joint	6001547606	6001550441	M14x1,5-M12x1-191,5 mm	10	-	01195	Ball joint	401604793R	-	18
							11	DA144	00190	Bushing	6040002245	6040096299	-
							12	-	02427	Bushing	6001549988	8200287912	-



Ref	Old code	CODE	Description	OE - Number	OE - Number	FEATURES	Ref	Old code	CODE	Description	OE - Number	OE - Number	FEATURES
1	DA136	00182	Stabilizer link	6001547138	8200277960	M8x1,25-74 mm	6	-	03542	Control arm complete-L	545010294R	545011727R	18-308 mm
2	-	05009	Stabilizer mounting	6001547140	6001549311	-	7	-	03543	Control arm complete-R	545004529R	545007106R	308 mm
3	DA139-L	00183	Tie rod end-L	6001547610	485202867R	M10x1,25-Female-M14x1,5-213 mm	8	-	03544	Control arm w/o ball joint-L Part of	545010294R	-	308 mm
4	DA139-R	00184	Tie rod end-R	6001547611	485200410R	M10x1,25-Female-M14x1,5-213 mm	9	-	03545	Control arm w/o ball joint-R Part of	545004529R	-	308 mm
5	-	03548	Axial joint	485213172R	-	M14x1,5-M14x1,5-193 mm	10	-	03549	Ball Joint	545004529R	-	18
							11	-	02427	Bushing	6001549988	8200287912	-
							12	-	03756	Bushing	6640096299	545011727R	-



Ref	Old code	CODE	Description	OE - Number	OE - Number	FEATURES	Ref	Old code	CODE	Description	OE - Number	OE - Number	FEATURES
1	DA148	00195	Tie rod end	6001546523	-	M10x1,25-Male-M14x1,5-105 mm	3	RN008	01040	Control arm complete	7701552545	7702252969	M12x1.25-240,5 mm
							4	RN007	01039	Control arm w/o ball joint	7701552545		
2	DA150	00197	Axial joint	6001548425	-	M14x1,5-M12x1-201,5 mm	5	RN253	01193	Ball joint	7701455906	7701468820	M12x1,25
							6	RN009	01041	Bushing	7700514110	7705040000	-





Ref	Old code	CODE	Description	OE – Number	OE – Number	FEATURES	Ref	Old code	CODE	Description	OE – Number	OE – Number	FEATURES
1	DA136	00182	Stabilizer link	6001547138	8200277960	M8x1,25-74 mm	9	DA142-R	00187	Control arm w/o ball joint-R	545000794R Part of	-	308 mm
2	-	05009	Stabilizer mounting	6001547140	6001549311	-	10	RN256	01195	Ball joint	8200298454 Part of	401604793R	18
3	DA139-L	00183	Tie rod end-L	6001547610	485202867R	M10x1,25- Female- M14x1,5-213 mm	11	DA144	00190	Bushing	6040002245	6040096299	-
4	DA139-R	00184	Tie rod end-R	6001547611	485200410R	M10x1,25- Female- M14x1,5-213 mm	12	-	02427	Bushing	6001549988	8200287912	-
5	DA140	00185	Axial joint	6001547606	6001550441	M14x1,5- M12x1-191,5 mm	13	-	02425	Control arm complete-L	X00029	-	18-141,5 mm
6	DA143-L	00188	Control arm complete-L	6001547520	545019294R	308 mm	14	-	02426	Control arm complete-R	X00030	-	18-141,5 mm
7	DA143-R	00189	Control arm complete-R	6001547519	545004269R	308 mm	15	-	02428	Control arm w/o ball joint-L	X00029 Part of	-	141,5 mm
8	DA142-L	00186	Control arm w/o ball joint-L	545011362R Part of	-	308 mm	16	-	02429	Control arm w/o ball joint-R	X00030 Part of	-	141,5 mm
							17	-	03756	Bushing	X00029 Part of	-	-





Ref	Old code	CODE	Description	OE - Number	OE - Number	FEATURES	Ref	Old code	CODE	Description	OE - Number	OE - Number	FEATURES
1	DA136	00182	Stabilizer link	6001547138	8200277960	M8x1,25-74 mm	6	-	03542	Control arm complete-L	545010294R	545011727R	18-308 mm
2	-	05009	Stabilizer mounting	6001547140	6001549311	-	7	-	03543	Control arm complete-R	545004529R	545007106R	308 mm
3	DA139-L	00183	Tie rod end-L	6001547610	485202867R	M10x1,25-Female-M14x1,5-213 mm	8	-	03544	Control arm w/o ball joint-L	545010294R	-	308 mm
4	DA139-R	00184	Tie rod end-R	6001547611	485200410R	M10x1,25-Female-M14x1,5-213 mm	9	-	03545	Control arm w/o ball joint-R	545004529R	-	308 mm
5	-	03548	Axial joint	485213172R	-	M14x1,5-M14x1,5-193 mm	10	-	03549	Ball Joint	545004529R	545011727R	18
							11	-	03756	Bushing	6640096299	545011727R	-
							12	-	02427	Bushing	6001549988	8200287912	-



Ref	Old code	CODE	Description	OE - Number	OE - Number	FEATURES	Ref	Old code	CODE	Description	OE - Number	OE - Number	FEATURES
1	DA148	00195	Tie rod end	6001546523	-	M10x1,25-Male-M14x1,5-105 mm	5	DA147-R	00194	Control arm complete-R	6001538335	-	287,5 mm
2	DA149	00196	Axial joint	6001546524	-	M14x1,5-M12x1-282 mm	6	DA146-L	00191	Control arm w/o ball joint-L	6001538336	-	193 mm
3	-	01743	Axial joint	6001542724	6001548426	M14x1,5-M16x1-276 mm	7	DA146-R	00192	Control arm w/o ball joint-R	6001538335	-	193 mm
4	DA147-L	00193	Control arm complete-L	6001538336	-	287,5 mm	8	RN100	01137	Ball joint	7700783447	5450100Q0K	16
							9	RN021	01054	Bushing	7700762574	7704000681	-



Ref	Old code	CODE	Description	OE - Number	OE - Number	FEATURES	Ref	Old code	CODE	Description	OE - Number	OE - Number	FEATURES
1	RN003	01037	Control arm complete	7700562943	7701590974	150,5 mm	5	RN007	01039	Control arm w/o ball joint	7701552545 Part of	-	306 mm
2	RN005	01038	Control arm w/o ball joint	7700504459	7702252246	306 mm	6	RN253	01193	Ball joint	7701455906	7701468820	M12x1,25
3	RN008	01040	Control arm complete	7701552545	7702252969	M12x1.25-240,5 mm	7	RN255	01194	Ball joint	7701455905	7701468821	M12x1,25
4	RN002	01036	Control arm w/o ball joint	7700562943 Part of	-	150,5 mm	8	RN009	01041	Bushing	7700514110	7705040000	-
							9		01044	Bushing	7700514109	7704001601	-



Ref	Old code	CODE	Description	OE - Number	OE - Number	FEATURES	Ref	Old code	CODE	Description	OE - Number	OE - Number	FEATURES
1	-	08228	STABILIZER LINK	551100710R	-	-	6	-	08233	CONTROL ARM-RH (LOWER) (COMPLETE)	545041584R	-	-
2	-	08229	TIE ROD END-LH	486401937R	-	-	7	-	08238	BUSHING	545054787R PART OF 2	-	-
3	-	08230	TIE ROD END-RH	485204998R	-	-	8	-	08239	Bushing	545041584R PART OF 3	-	-
4	-	08231	AXIAL JOINT	485219453R PART OF	-	-	9	-	08242	Bushing	545054787R PART OF 4	-	-
5	-	08232	CONTROL ARM-LH (LOWER) (COMPLETE)	545054787R	-	-							