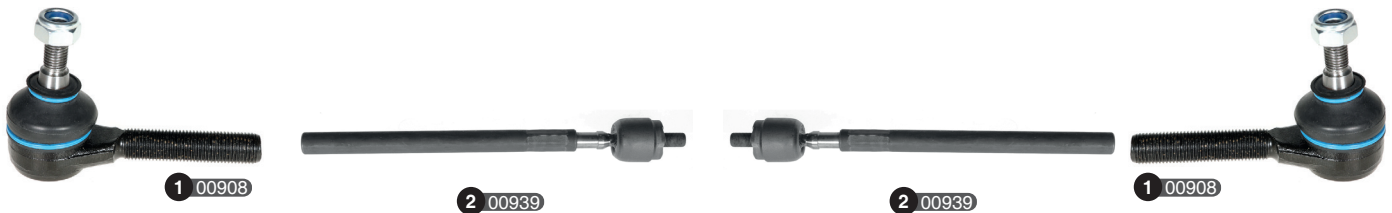




TO
E
G
D
E
P



Ref	Old code	CODE	Description	OE - Number	OE - Number	FEATURES	Ref	Old code	CODE	Description	OE - Number	OE - Number	FEATURES
1	PJ009	00908	Tie rod end	941000965	95590802	M10x1,25-Male-M14x1,5-92 mm	4	-	02142	Control arm complete-R	352010	91504359	-
2	PJ043	00939	Axial joint	381215	7910030075	M14x1,5-M12x1-250 mm	5	-	01736	Ball joint	91504248		M10x1,25
3	-	02141	Control arm complete-L	352034	91504358	-	6	PJ046	00942	Bushing	352320	96096727	Small



1 00154
-> 05/1996

1 00154
-> 05/1996



2 00920
05/1996_>

2 00920
05/1996_>



3 00915



20 03828



5 04841



19 04842



4 00916



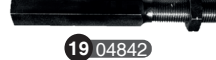
3 00915



20 03828



6 04922



19 04842



4 00916



13 00919



16 00974



17 00975



13 00919

9 00963
Sportchassis/
Ralley/GTI

10 00964
Sportchassis/
Ralley/GTI



13 00919



14 00972



15 00973



13 00919

7 00961
Exc. Sportchassis

8 00962
Exc. Sportchassis



18 01000



18 01000

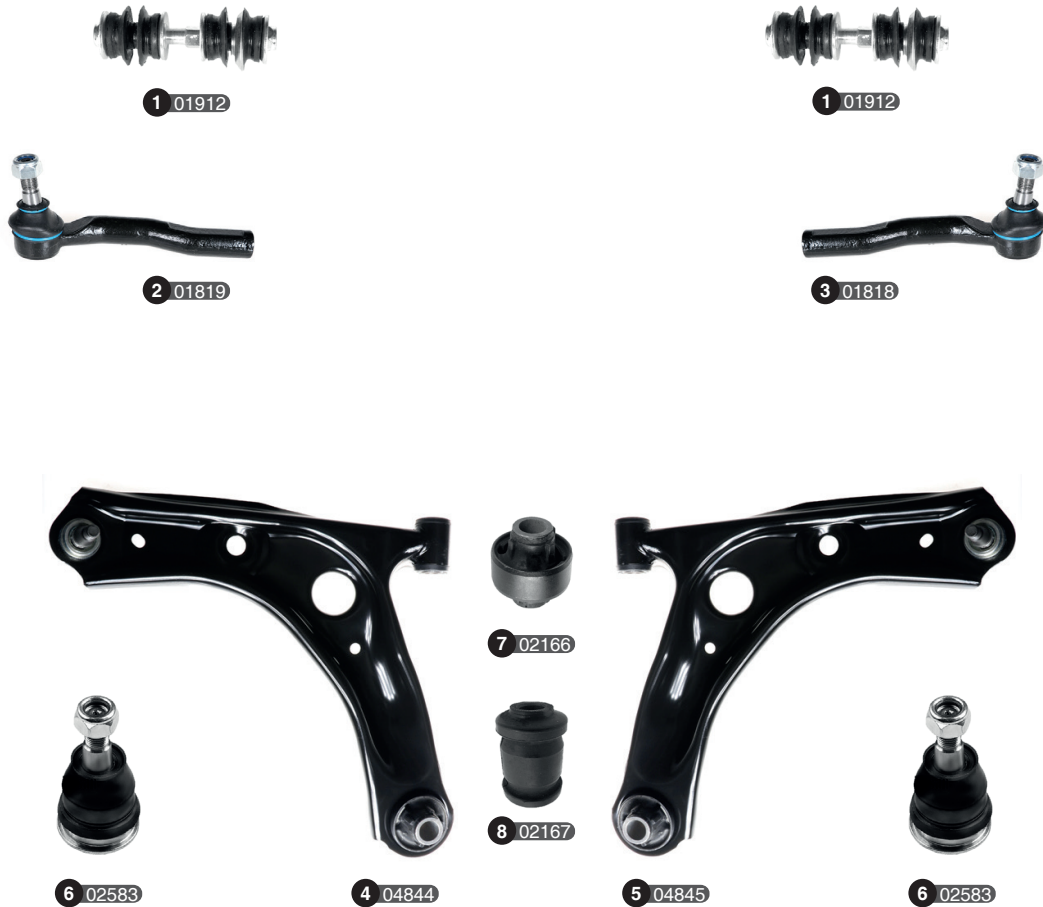


Ref	Old code	CODE	Description	OE – Number	OE – Number	FEATURES	Ref	Old code	CODE	Description	OE – Number	OE – Number	FEATURES
1	CIT13	00154	Stabilizer link	508733	96147514	M10x1,5-350 mm	11	-	03683	Control arm w/o ball joint-L	352080	Part of	-
2	PJ021	00920	Stabilizer link	508740		M12x1,75-322 mm	12	-	03684	Control arm w/o ball joint-R	352081	Part of	-
3	PJ017-L	00915	Tie rod end-L	381730	9471007465	M10x1,25-Male-M14x1,5-116 mm	13	PJ020	00919	Ball joint	364036	96093233	16
4	PJ017-R	00916	Tie rod end-R	381716	9471007565	M10x1,25-Male-M14x1,5-116 mm	14	PJ082	00972	Bushing	352350		Small
5	-	04841	Axial joint	381732		-	15	PJ083	00973	Bushing	352351	96603308	Big
6	-	04922	Axial joint	381733		-	16	PJ084	00974	Bushing	352352	96113432	Small
7	PJ068-L	00961	Control arm complete-L	352078	95658978	292 mm	17	PJ085	00975	Bushing	352353	96148480	Big
8	PJ068-R	00962	Control arm complete-R	352079	95658979	292 mm	18	PJ159	01000	Bushing	180757	97523179	-
9	PJ071-L	00963	Control arm complete-L	352080	352092	285 mm	19		04842	Connecting Piece	381734		
10	PJ071-R	00964	Control arm complete-R	352081	352093	285 mm	20		03828	Connecting Piece	3812A0		





Ref	Old code	CODE	Description	OE - Number	OE - Number	FEATURES	Ref	Old code	CODE	Description	OE - Number	OE - Number	FEATURES
1	-	01912	Stabilizer link	509110	5094A7	M8x1,25-92,5 mm	7	-	02211	Control arm w/o ball joint-L	3521L3	Part of	-
2	-	01819	Tie rod end-L	381763	4504709125	-	8	-	02212	Control arm w/o ball joint-R	3520Q2	Part of	-
3	-	01818	Tie rod end-R	381764	4504609295	-	9	-	02583	Ball joint	3521L3	Part of	M12x1,25
4	-	02750	Axial joint	400133	455000H010	M12x1,25- M14x1,5-239 mm	10	-	02166	Bushing	486550H010		Small
5	-	01821	Control arm complete-L	3520Q2	480690H010	-	11	-	02167	Bushing	486540H010		Big
6	-	01820	Control arm complete-R	3521L3	480680H010	-							



Ref	Old code	CODE	Description	OE - Number	OE - Number	FEATURES	Ref	Old code	CODE	Description	OE - Number	OE - Number	FEATURES
1	-	01912	Stabilizer link	4881970010	5094A7	M8x1,25-92,5 mm	5	-	04845	Control arm complete-R	1614191680	B000770180	-
2	-	01819	Tie rod end-L	1610936080	4504709125	-	6	-	02583	Ball joint	4806959125 Part of		M12x1,25
3	-	01818	Tie rod end-R	1610936180	4504609295	-	7	-	02166	Bushing	486550H010		Small
4	-	04844	Control arm complete-L	1614191480	B000770280	-	8	-	02167	Bushing	486540H010		Big



Ref	Old code	CODE	Description	OE - Number	OE - Number	FEATURES	Ref	Old code	CODE	Description	OE - Number	OE - Number	FEATURES
1	PJ045	00941	Stabilizer link	508723	508732	M10x1,5-331,5 mm	7	-	04882	Control arm complete-R	352137		-
2	PJ009	00908	Tie rod end	94100965	95590802	M10x1,25-Male-M14x1,5-92 mm	8	PJ046	00942	Bushing	352320	96096727	Small
3	PJ044-PJ055	00940	Axial joint	381293	96136394	M14x1,5-M12x1-315 mm	9	PJ047	00943	Bushing	352325	352349	Big
4	PJ106-L	00992	Control arm complete-L	352048	91516336	16-311 mm	10	PJ161	01002	Bushing	180916	9616121080	-
5	PJ106-R	00993	Control arm complete-R	352131	91516337	16-311 mm	11	-	04875	Bushing	352323		Big
6	-	04881	Control arm complete-L	352054	91519409	-	12	-	04876	Bushing	352331		Small



207 (WA_,WC_) (05/2006-->)
207 SW (WK_) (02/2007-->)
207 CC (WD_) (02/2007-->)



Ref	Old code	CODE	Description	OE - Number	OE - Number	FEATURES	Ref	Old code	CODE	Description	OE - Number	OE - Number	FEATURES
1	PJ169-L	01006	Stabilizer link-L	508769		M10x1,5-330 mm	7	PJ184-R	01023	Control arm complete-R	3521N8	9810588180	325 mm
2	PJ169-R	01007	Stabilizer link-R	508768		M10x1,5-330 mm	8	PJ183-L	01020	Control arm w/o ball joint-L	3520R7 Part of		-
3	PJ180-L	01017	Tie rod end-L	381767		M10x1,25-Female-M16x1,5-210 mm	9	PJ183-R	01021	Control arm w/o ball joint-R	3521N8 Part of		-
4	PJ180-R	01018	Tie rod end-R	381768		M10x1,25-Female-M16x1,5-210 mm	10	PJ188	01027	Ball joint	364056	364062	18
5	PJ181	01019	Axial joint	3812E8		M16x1,5-M12x1-213 mm	11	PJ186	01025	Bushing	3523CE	9677040580	Small
6	PJ184-L	01022	Control arm complete-L	3520R7	9810588280	325 mm	12	PJ187	01026	Bushing	3523CC	9680613880	Big
							13	-	03806	Clutch link	211766		-
							14	-	05086	Clutch link	211761		-



Ref	Old code	CODE	Description	OE - Number	OE - Number	FEATURES	Ref	Old code	CODE	Description	OE - Number	OE - Number	FEATURES
1	-	02234	Stabilizer link	508771		M10x1,5-335 mm	10	-	03510	Control arm complete-L	9670772080		326,5 mm
2	PJ169-L	01006	Stabilizer link-L	508769		M10x1,5-330 mm	11	-	03511	Control arm complete-R	9670771480		326,5 mm
3	PJ169-R	01007	Stabilizer link-R	508768		M10x1,5-330 mm	12	-	02232	Control arm w/o ball joint-L	9670772080	Part of	-
4	PJ180-L	01017	Tie rod end-L	381767		M10x1,25-Female-M16x1,5-210 mm	13	-	02233	Control arm w/o ball joint-R	9670771480	Part of	-
5	PJ180-R	01018	Tie rod end-R	381768		M10x1,25-Female-M16x1,5-210 mm	14	-	03506	Ball joint	364078		18
6	-	03507	Tie rod end-L	1608025180		M10x1,25-Female-M14x1,5-199 mm	15	-	03921	Bushing	5131H4		-
7	-	03508	Tie rod end-R	1608025280		M10x1,25-Female-M14x1,5-199 mm	16	-	02467	Bushing	9670772080	Part of	Small
8	-	03414	Axial joint	1608652180		M16x1,5-M12x1-230,5 mm	17	-	02468	Bushing	9670772080	Part of	Big
9	-	03509	Axial joint	1608025380		M14x1,5-M12x1-225 mm	18	-	03806	Clutch link	211766		-
							19	-	05086	Clutch link	211761		-



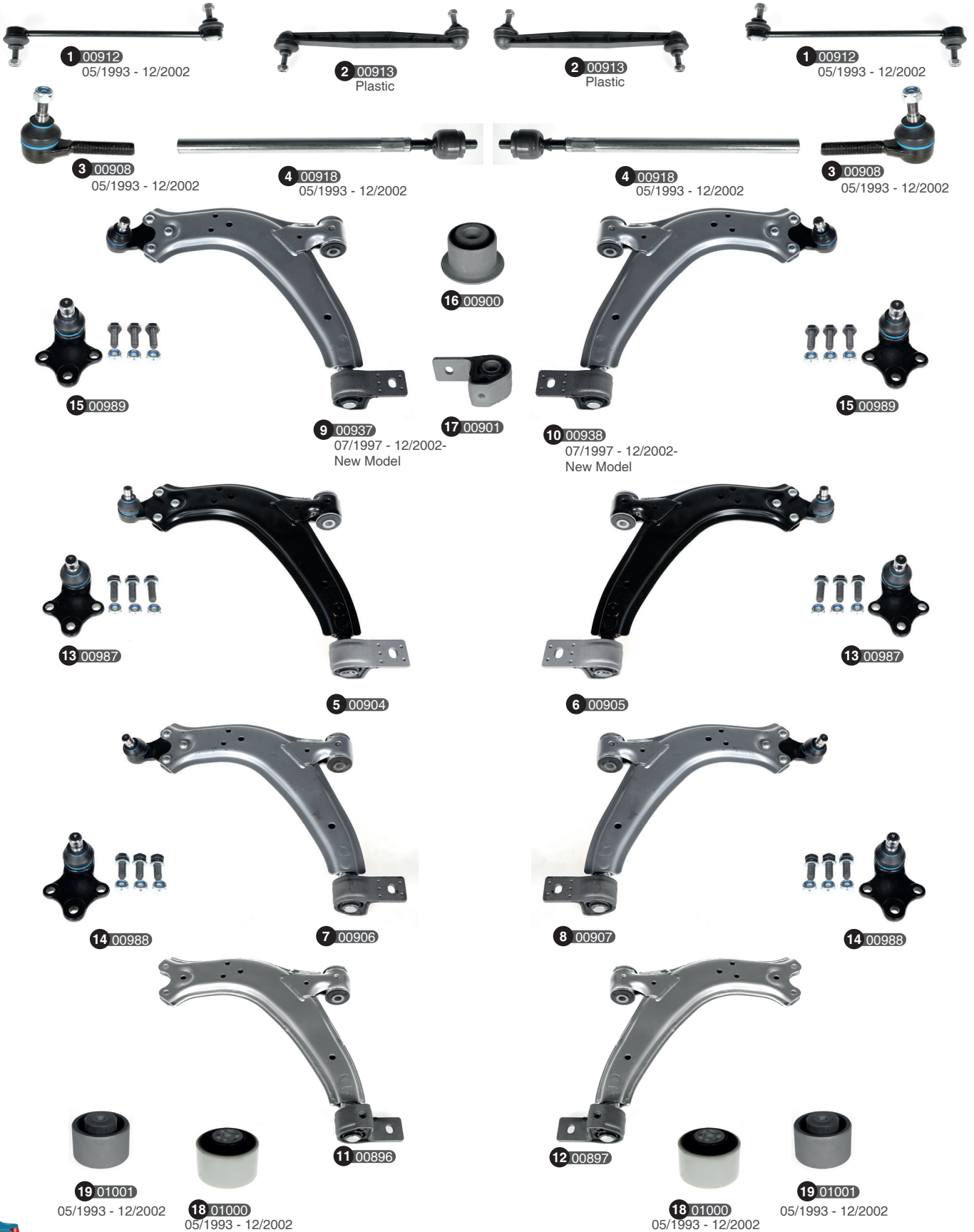
Ref	Old code	CODE	Description	OE - Number	OE - Number	FEATURES	Ref	Old code	CODE	Description	OE - Number	OE - Number	FEATURES
1	PJ169-L	01006	Stabilizer link-L	508769		M10x1,5-330 mm	8	PJ183-L	01020	Control arm w/o ball joint-L	9675031880 Part of		-
2	PJ169-R	01007	Stabilizer link-R	508768		M10x1,5-330 mm	9	PJ183-R	01021	Control arm w/o ball joint-R	9675028880 Part of		-
3	PJ180-L	01017	Tie rod end-L	381767		M10x1,25-Female-M16x1,5-210 mm	10	-	02771	Ball joint	364077		18
4	PJ180-R	01018	Tie rod end-R	381768		M10x1,25-Female-M16x1,5-210 mm	11	PJ186	01025	Bushing	3523CE	9677040580	Small
5	-	03414	Axial joint	1608652180		M16x1,5-M12x1-230,5 mm	12	PJ187	01026	Bushing	3523CC	9680613880	Big
6	-	03415	Control arm complete-L	9675031880		314,5 mm	13	-	03921	Bushing	5131H4		-
7	-	03416	Control arm complete-R	9675028880		314,5 mm	14	-	03806	Clutch link	211766		-



Ref	Old code	CODE	Description	OE - Number	OE - Number	FEATURES	Ref	Old code	CODE	Description	OE - Number	OE - Number	FEATURES
1	PJ009	00908	Tie rod end	381709	95590802	M10x1,25-Male-M14x1,5-92 mm	3	-	02143	Control arm complete-L	352037		-
2	PJ051	00946	Axial joint	381209	381296	M14x1,5-M12x1-173 mm	4	-	02144	Control arm complete-R	352126		-



Ref	Old code	CODE	Description	OE - Number	OE - Number	FEATURES	Ref	Old code	CODE	Description	OE - Number	OE - Number	FEATURES
1	PJ009	00908	Tie rod end	941000965	95590802	M10x1,25-Male-M14x1,5-92 mm	6	PJ043	00939	Axial joint	381215	7910030075	M14x1,5-M12x1-250 mm
2	PJ017-L	00915	Tie rod end-L	381730	9471007465	M10x1,25-Male-M14x1,5-116 mm	7	PJ044-PJ056	00940	Axial joint	381293	96136394	M14x1,5-M12x1-315 mm
3	PJ017-R	00916	Tie rod end-R	381716	9471007565	M10x1,25-Male-M14x1,5-116 mm	8	PJ051	00946	Axial joint	381209	381296	M14x1,5-M12x1-173 mm
4	PJ031-L	00924	Tie rod end-L	w21	381748	M10x1,25-Male-M14x1,5-229 mm	9	-	02093	Control arm complete-L	X00017		-
5	PJ031-R	00925	Tie rod end-R	381722	381749	M10x1,25-Male-M14x1,5-229 mm	10	-	02094	Control arm complete-R	X00018		-
							11	PJ030	00923	Ball joint	364020	96041652	M12x1,25



Ref	Old code	CODE	Description	OE - Number	OE - Number	FEATURES	Ref	Old code	CODE	Description	OE - Number	OE - Number	FEATURES
1	PJ014	00912	Stabilizer link	508734	96152213	M10x1,25-149 mm	11	-	00896 02259	Control arm w/o ball joint-L	3520H3 Part of		Grey Black
2	PJ015	00913	Stabilizer link	508738	9631512680	M10x1,5-300 mm	12	-	00897 02260	Control arm w/o ball joint-R	3521E3 Part of		Grey Black
3	PJ009	00908	Tie rod end	381750	95590802	M10x1,25-Male-M14x1,5-92 mm	13	PJ100	00987	Ball joint	364030	364044	16
4	PJ019	00918	Axial joint	381292		M14x1,5-M12x1-355 mm	14	PJ101	00988	Ball joint	364030	364037	16
5	PJ007-L	00904	Control arm complete-L	352098	95668511 + 364044	349 mm - Black	15	PJ102	00989	Ball joint	364048	364049	18
6	PJ007-R	00905	Control arm complete-R	352155	95668510 + 364044	349 mm - Black	16	PJ004	00900	Bushing	96110483		Small
7	PJ008-L	00906 03407	Control arm complete-L	352098		348 mm - Grey 348 mm - Black	17	PJ005	00901	Bushing	352375		Big
8	PJ008-R	00907 03408	Control arm complete-R	352168		348 mm - Grey 348 mm - Black	18	PJ159	01000	Bushing	180757	97523179	-
9	PJ042-L	00937 03409	Control arm complete-L	3520H3		350 mm - Grey 350 mm - Black	19	PJ160	01001	Bushing	180757		-
10	PJ042-R	00938 03410	Control arm complete-R	3521E3		350 mm - Grey 350 mm - Black							



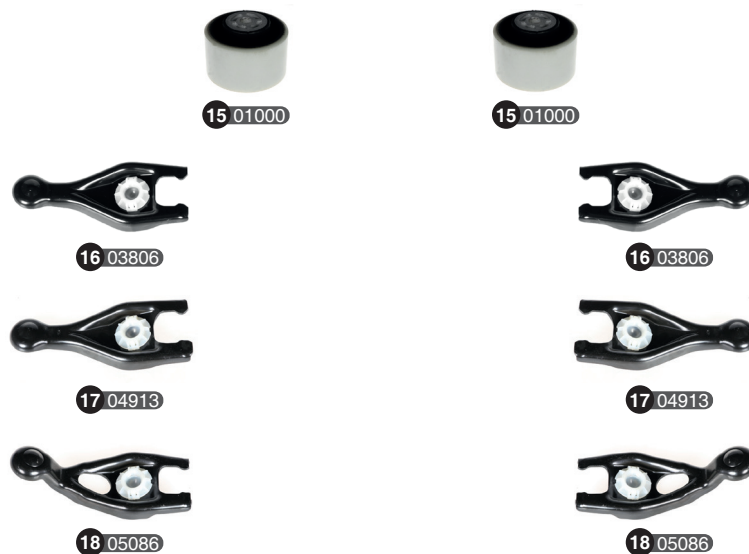


307 (3A/C) (09/2001-->)
307 BREAK (3E) (03/2002-->)
307 SW (3H) (03/2002-->)
307 CC (3B) (10/2003-04/2009)





307 (3A/C) (09/2001-->)
307 BREAK (3E) (03/2002-->)
307 SW (3H) (03/2002-->)
307 CC (3B) (10/2003-04/2009)



Ref	Old code	CODE	Description	OE - Number	OE - Number	FEATURES	Ref	Old code	CODE	Description	OE - Number	OE - Number	FEATURES
1	PJ054	00949	Stabilizer link	508750	Part of	M10x1,5-334 mm	10	PJ052	00947	Ball joint	1607297480	364073	M14x1,5
2	-	01986	Stabilizer link	508750	508778	M10x1,5-335 mm Aluminum	11	PJ090	00979	Bushing	352391	9671918880	Small
3	PJ017-L	00915	Tie rod end-L	381730	9471007465	M10x1,25- Male- M14x1,5-116 mm	12	PJ048	00944	Bushing	352377	352392	Big
4	PJ017-R	00916	Tie rod end-R	381716	9471007565	M10x1,25- Male- M14x1,5-116 mm	13	-	08120	Control arm complete-L	1607314580	3520S2	-
5	PJ053	00948	Axial joint	3812E0		M14x1,5- M14x1,5-323 mm	14	-	08121	Control arm complete-R	1607314680	3521P3	-
6	PJ009	00908	Tie rod end	381709	95590802	M10x1,25- Male- M14x1,5-92 mm	15	PJ159	01000	Bushing	180756	97523179	-
7	-	00921	Axial joint	3812E5		M14x1,5- M14x1,5-344 mm	16	-	03806	Clutch link	211766		-
8	PJ080-L	00969	Control arm complete-L	3520K8	3520P3	331,5 mm	17	-	04913	Clutch link	211765	9808513380	-
9	PJ080-R	00970	Control arm complete-R	3521G8	3521K3	331,5 mm	18	-	05086	Clutch link	211761		-



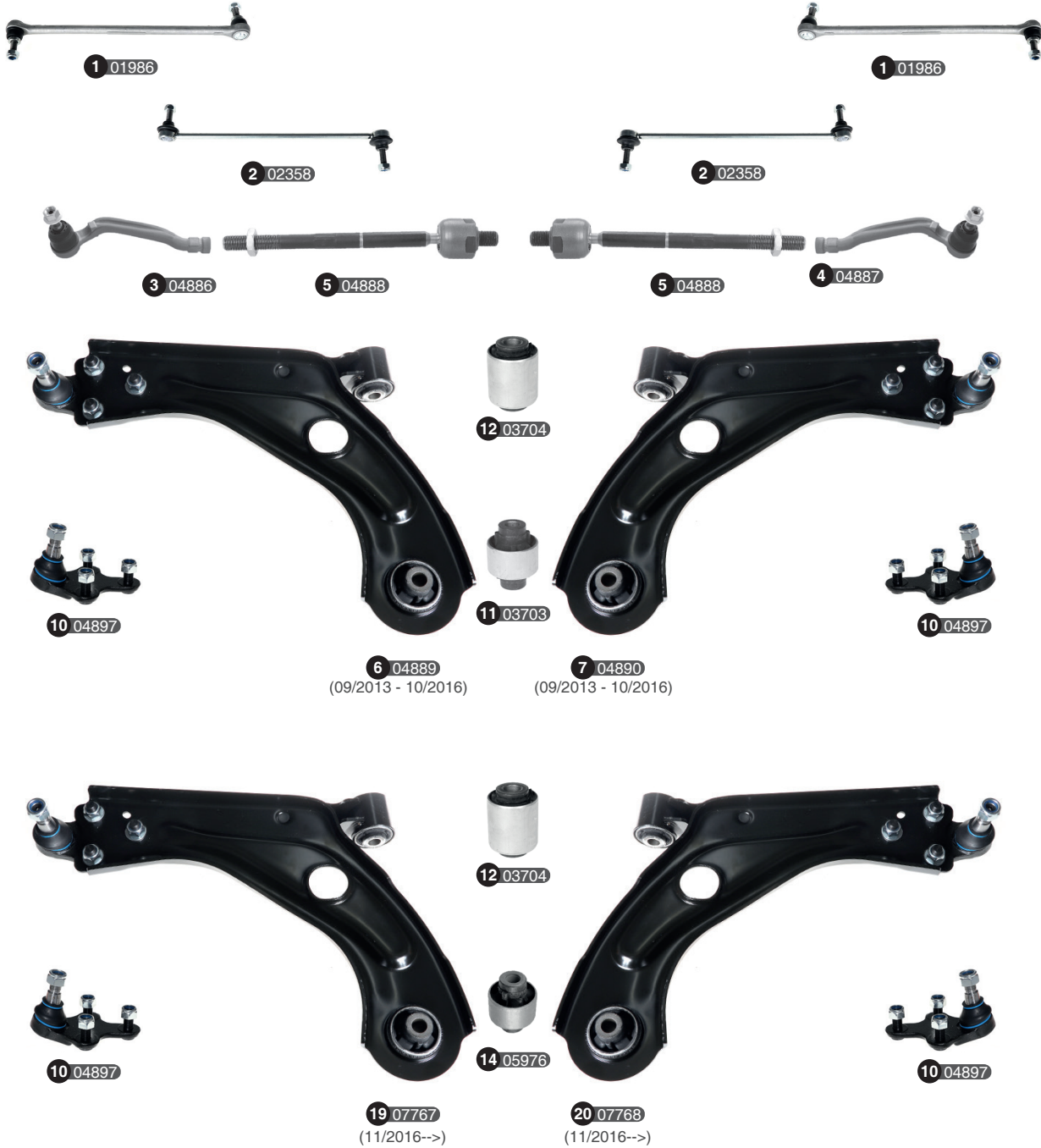
308 (T7/4A_,4C_) (09/2007-->)

308 SW (09/2007-->)

308 CC (04/2009-->)



Ref	Old code	CODE	Description	OE - Number	OE - Number	FEATURES	Ref	Old code	CODE	Description	OE - Number	OE - Number	FEATURES
1	-	02358	Stabilizer link	1610930280	9809045780	M10x1,5-334 mm	8	-	03552	Control arm complete-R	1610938180	3521R3	-
2	-	01921	Tie rod end	381773	9403817738	M12x1,5-Female-M14x1,5-80 mm	9	PJ052	00947	Ball joint	1607297480	364073	M14x1,5
3	-	01990	Tie rod end-L	1610936880	381789	M10x1,25-Female-M14x1,5-165 mm	10	-	03924	Bushing	5131G4		-
4	-	01991	Tie rod end-R	1610936580	381788	M10x1,25-Female-M14x1,5-165 mm	11	PJ048	00944	Bushing	352377	352392	Big
5	-	02502	Axial joint	3812F2		M14x1,5-M14x1,5-277,5 mm	12	PJ090	00979	Bushing	352391	9671918880	Small
6	-	03925	Axial joint	3812F8		-	13	PJ159	01000	Bushing	180756	97523179	-
7	-	03551	Control arm complete-L	1610938080	3520V2	-	14	-	03806	Clutch link	211766		-
							15	-	04913	Clutch link	211765	9808513380	-

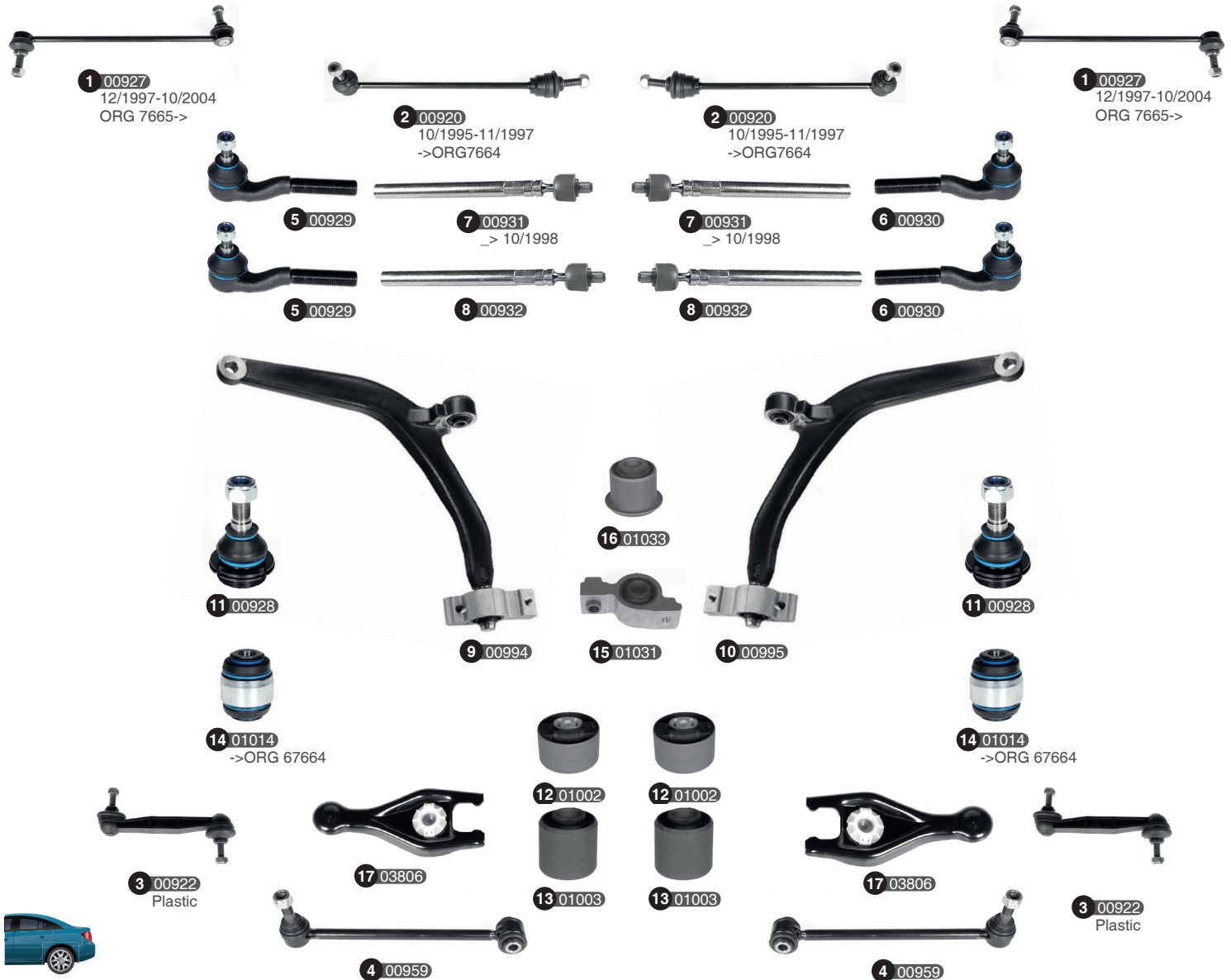




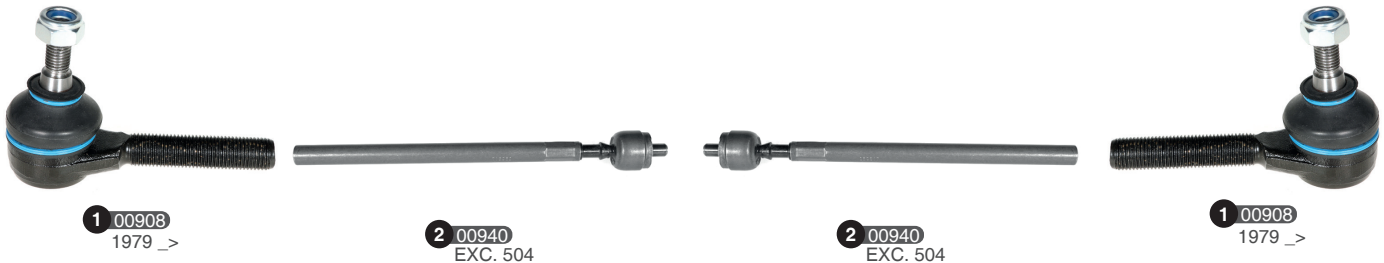
Ref	Old code	CODE	Description	OE - Number	OE - Number	FEATURES	Ref	Old code	CODE	Description	OE - Number	OE - Number	FEATURES
1	-	01986	Stabilizer link	508750	508778	M10x1,5-335 mm Aluminum	13	-	04913	Clutch link	211765	9808513380	-
2	-	02358	Stabilizer link	508764	9809045780	M10x1,5-334 mm	14	-	05976	BUSHING	3644790	9816380380	-
3	-	04886	Tie rod end-L	1610817780		-	15	-	07763	CONTROL ARM-LH (LOWER) (COMPLETE)	9800596680	9800596680S2	-
4	-	04887	Tie rod end-R	1610817880		-	16	-	07764	CONTROL ARM-RH (LOWER) (COMPLETE)	9800596580	9800596580S2	-
5	-	04888	Axial joint	1611242380		-	17	-	07765	CONTROL ARM-LH (LOWER) (COMPLETE)	9800596680 + 3644790	9800596680 + 9816380380	-
6	-	04889	Control arm complete-L	9678311380S2		-	18	-	07766	CONTROL ARM-RH (LOWER) (COMPLETE)	9800596580 + 3644790	9800596580 + 9816380380	-
7	-	04890	Control arm complete-R	9678311280S2		-	19	-	07767	CONTROL ARM-LH (LOWER) (COMPLETE)	9607914280S1 + 3644790	9607914280S1 + 9816380380	-
8	-	04891	Control arm w/o ball joint-L Part of	9678311380S2		-	20	-	07768	CONTROL ARM-RH (LOWER) (COMPLETE)	9607914180S1 + 3644790	9607914180S1 + 9816380380	-
9	-	04892	Control arm w/o ball joint-R Part of	9678311280S2		-							
10	-	04897	Ball joint	9672192480		-							
11	-	03703	Bushing	9676035280	9807892380	Big							
12	-	03704	Bushing	9676032180		Small							



Ref	Old code	CODE	Description	OE - Number	OE - Number	FEATURES	Ref	Old code	CODE	Description	OE - Number	OE - Number	FEATURES
1	PJ045	00941	Stabilizer link	508723	508732	M10x1,5-331,5 mm	7	-	02401	Track Control arm-R	352138	352141	15.95-183,10 mm
2	PJ009	00908	Tie rod end	941000965	95590802	M10x1,25-Male-M14x1,5-92 mm	8	PJ047	00943	Bushing	352325	352349	Big
3	PJ044-PJ055	00940	Axial joint	381293	96136394	M14x1,5-M12x1-315 mm	9	PJ159	01000	Bushing	180756	97523179	-
4	-	04877	Control arm complete-L	352064		-	10	PJ161	01002	Bushing	180916	9616121080	-
5	-	04878	Control arm complete-R	352145		-	11	-	04875	Bushing	352323		Big
6	-	02400	Track Control arm-L	352057	352060	15.95-183,10 mm	12	-	04876	Bushing	352331		Small

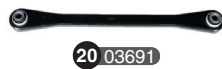
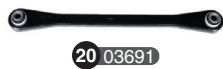
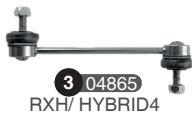


Ref	Old code	CODE	Description	OE - Number	OE - Number	FEATURES	Ref	Old code	CODE	Description	OE - Number	OE - Number	FEATURES
1	PJ033	00927	Stabilizer link	508743	VDL700U	M12x1,75-320,5 mm	9	PJ110-L	00994	Control arm complete-L	3520C0	3520H1	321 mm
2	PJ021	00920	Stabilizer link	508740		M12x1,75-322 mm	10	PJ110-R	00995	Control arm complete-R	352180	3521E1	321 mm
3	PJ028	00922	Stabilizer link	517838		M10x1,5-160 mm Rear	11	PJ034	00928	Ball joint	364028	96233739	M14x1,5
4	PJ062	00959	Stabilizer link	517839		M12x1,25-245,5 mm Rear	12	PJ161	01002	Bushing	180916	9616121080	-
5	PJ035-L	00929	Tie rod end-L	381740		M10x1,25-Male-M16x1,5-122 mm	13	PJ162	01003	Bushing	180906		-
6	PJ035-R	00930	Tie rod end-R	381739		M10x1,25-Male-M16x1,5-122 mm	14	PJ176	01014	Bushing	364035		-
7	PJ036	00931	Axial joint	3812A9		M16x1,5-M12x1-318 mm	15	PJ191	01031	Bushing	352361		Big
8	PJ037	00932	Axial joint	3812C1	3812C4	M16x1,5-M16x1,5-296 mm	16	PJ200	01033	Bushing	352360		Small
							17	-	03806	Clutch link	211766		-



Ref	Old code	CODE	Description	OE - Number	OE - Number	FEATURES	Ref	Old code	CODE	Description	OE - Number	OE - Number	FEATURES
1	PJ009	00908	Tie rod end	941000965	95590802	M10x1,25-Male-M14x1,5-92 mm	2	PJ044-PJ055	00940	Axial joint	381293	96136394	M14x1,5-M12x1-315 mm
3	-	02086	Ball joint	364015	364027	-							





Ref	Old code	CODE	Description	OE – Number	OE – Number	FEATURES	Ref	Old code	CODE	Description	OE – Number	OE – Number	FEATURES
1	PJ168	01005	Stabilizer link	1607326080	9807130080	M10x1,5-140 mm Rear	17	-	04867	Control arm w/o ball joint-R	9677547880 Part of 1		-
2	-	03538	Stabilizer link	508776		M12x1,75-345 mm	18	-	04908	Track Control arm-L	5175CC		-
3	-	04865	Stabilizer link	517857		Rear	19	-	04909	Track Control arm-R	5175CE		-
4	-	03539	Tie rod end-L	3817A1		M12x1,5-Female- M14x1,5-197 mm	20	-	03691	Track rod	5175CF		440 mm
5	-	03540	Tie rod end-R	3817A2		M12x1,5-Female- M14x1,5-197 mm	21	-	04864	Track rod	517847		-
6	-	03537	Axial joint	3812G3		M14x1,5- M16x1,5-224.5 mm	22	PJ052	00947	Ball joint	364068	364073	M14x1,5
7	-	04860	Axial joint	1607142380		-	23	-	03536	Ball joint	364083		20
8	-	03531	Control arm complete-L	3520Y0		335,7 mm	24	PJ172	01011	Bushing	3523AQ		Small
9	-	03532	Control arm complete-R	3521V1		264,2 mm	25	-	04907	Bushing	5131C4		Big
10		04904	Control arm complete-L	5175CG	5175CN	-	26	-	04910	Bushing	5131C3		Small
11		04905	Control arm complete-R	5175CH	5175CP	-	27		04911	Bushing	-	5131C5	Big
12	-	04861	Control arm complete-L	9677548980		-	28	-	03535	Bushing	3520Y0 Part of		Big
13	-	04862	Control arm complete-R	9677547880		-	29		04912	Bushing	-		Small
14	-	03533	Control arm w/o ball joint-L	3520Y0 Part of		-	30	-	03806	Clutch link	211766		-
15	-	03534	Control arm w/o ball joint-R	3521V1 Part of		-							
16	-	04866	Control arm w/o ball joint-L	9677548980 Part of 1		-		31					







Ref	Old code	CODE	Description	OE – Number	OE – Number	FEATURES	Ref	Old code	CODE	Description	OE – Number	OE – Number	FEATURES
1	PJ168	01005	Stabilizer link	1607326080	9807130080	M10x1,5-140 mm Rear	13	-	04908	Track Control arm-L	5175CC		-
2	PJ170-L	01008	Stabilizer link-L	508752		M12x1,75-200 mm	14	-	04909	Track Control arm-R	5175CE		-
3	PJ170-R	01009	Stabilizer link-R	508753		M12x1,75-200 mm	15	-	03691	Track rod	5175CF		440 mm
4	-	02147	Tie rod end-L	1609948280	381780	M12x1,5-Female-M14x1,5-210 mm	16	-	04864	Track rod	517847		-
5	-	02148	Tie rod end-R	1609948380	381781	M12x1,5-Female-M14x1,5-210 mm	17	PJ167	01004	Ball joint	364057	364074	M14x1,5
6	-	02146	Axial joint	3812F3		M14x1,5-M16x1,5-129 mm	18	PJ172	01011	Bushing	3523AQ		Small
7	PJ174-L	01012	Control arm complete-L	3520N6	3520Q1	312 mm	19	-	04907	Bushing	5131C4		Big
8	PJ174-R	01013	Control arm complete-R	3521J6	3521L2	312 mm	20	-	04910	Bushing	5131C3		Small
9	-	04902	Control arm complete-L	3520X7		-	21	-	04911	Bushing		5131C5	Big
10	-	04903	Control arm complete-R	3521T8		-	22	PJ171	01010	Bushing	3520N6 Part of		Big
11	-	04904	Control arm complete-L		5175CN	-	23	-	04906	Bushing	545056711R Part of		Big
12	-	04905	Control arm complete-R		5175CP	-	24	-	04912	Bushing			Small
							25	-	04993	Bushing	365604 Part of		Small

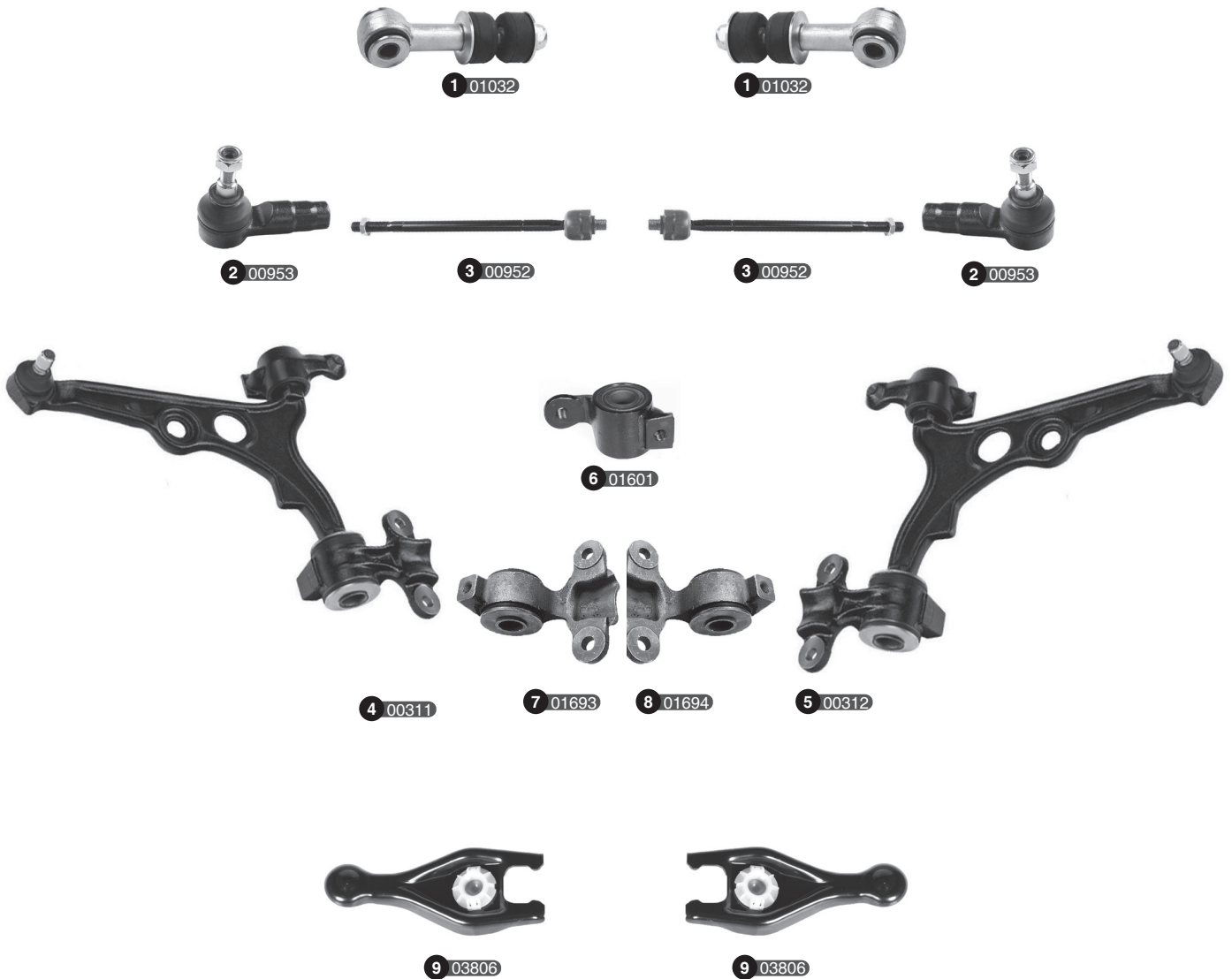




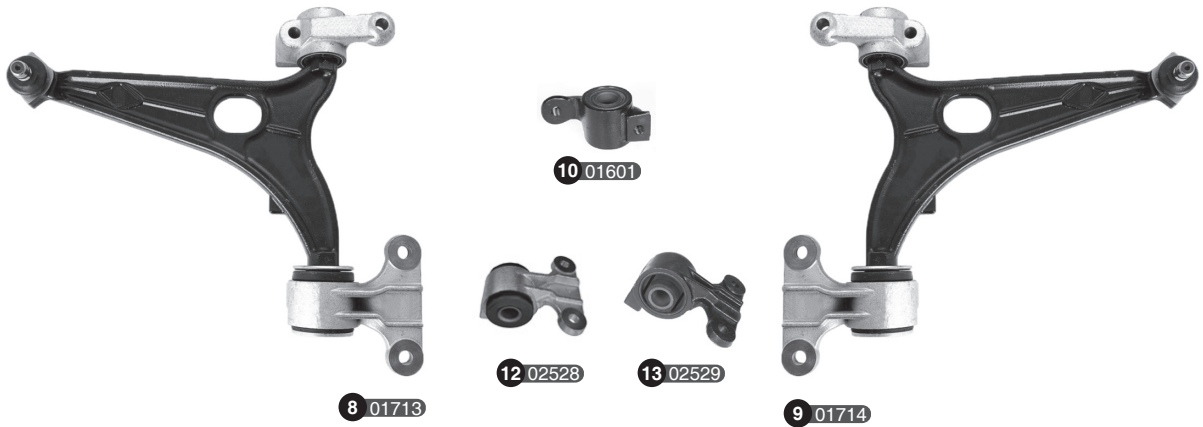
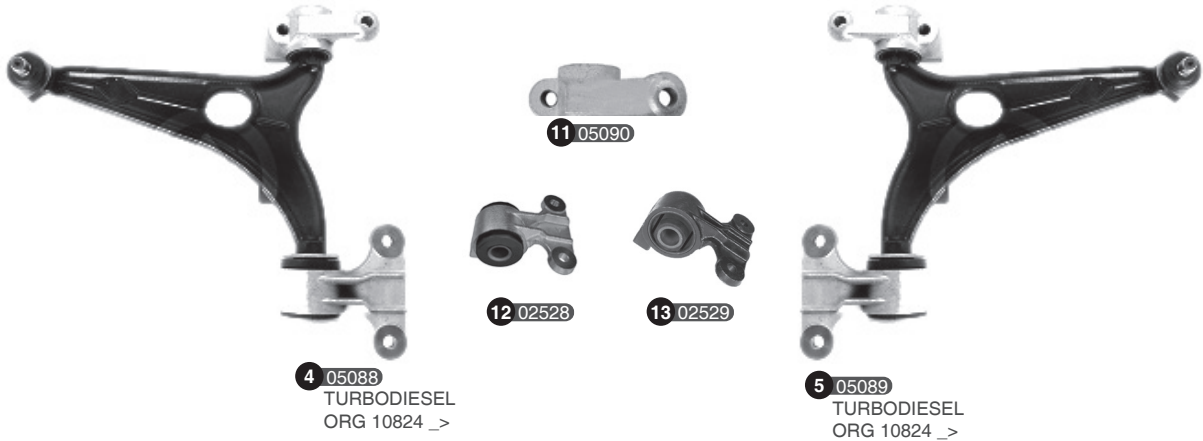
Ref	Old code	CODE	Description	OE - Number	OE - Number	FEATURES	Ref	Old code	CODE	Description	OE - Number	OE - Number	FEATURES
1	CIT06	00149	Stabilizer link	508730	96080921	M10x1,5-346 mm	8	-	04855	Axial joint	3812A6		-
2	PJ059-L	00954	Stabilizer link-L	517843	Rear	M12x1,25-85 mm	9	PJ056	00951	Axial joint	381299	96032460	M14x1,5-M12x1-294,5 mm
3	PJ059-R	00955	Stabilizer link-R	517818	517844- Rear	M12x1,25-85 mm	10	-	02130	Control arm complete-L	352070		-
4	PJ017-L	00915	Tie rod end-L	381730	9471007465	M10x1,25-Male-M14x1,5-116 mm	11	-	02131	Control arm complete-R	352071		-
5	PJ017-R	00916	Tie rod end-R	381716	9471007565	M10x1,25-Male-M14x1,5-116 mm	12	PJ034	00928	Ball joint	364028	96233739	M14x1,5
6	PJ060-L	00956	Tie rod end-L	381737	381743	M10x1,25-Male-M16x1,5-115 mm	13	-	02132	Bushing	352344		Big
7	PJ060-R	00957	Tie rod end-R	381738	381744	M10x1,25-Male-M16x1,5-115 mm	14	-	04856	Bushing	352343		Small



Ref	Old code	CODE	Description	OE - Number	OE - Number	FEATURES	Ref	Old code	CODE	Description	OE - Number	OE - Number	FEATURES
1	PJ033	00927	Stabilizer link	508743	VDL700U	M12x1,75-320,5 mm	7	-	02130	Control arm complete-L	352070		-
2	PJ059-L	00954	Stabilizer link-L	517843		M12x1,25-85 mm	8	-	02131	Control arm complete-R	352071		-
3	PJ059-R	00955	Stabilizer link-R	517818	517844	M12x1,25-85 mm	9	PJ034	00928	Ball joint	364028	96233739	M14x1,5
4	PJ060-L	00956	Tie rod end-L	381737	381743	M10x1,25-Male-M16x1,5-115 mm	10	-	02132	Bushing	352344		Big
5	PJ060-R	00957	Tie rod end-R	381738	381744	M10x1,25-Male-M16x1,5-115 mm	11	-	04856	Bushing	352343		Small
6	PJ061	00958	Axial joint	3812C7		M16x1,5-M16x1,5-296 mm	12	-	03806	Clutch link	211766		-

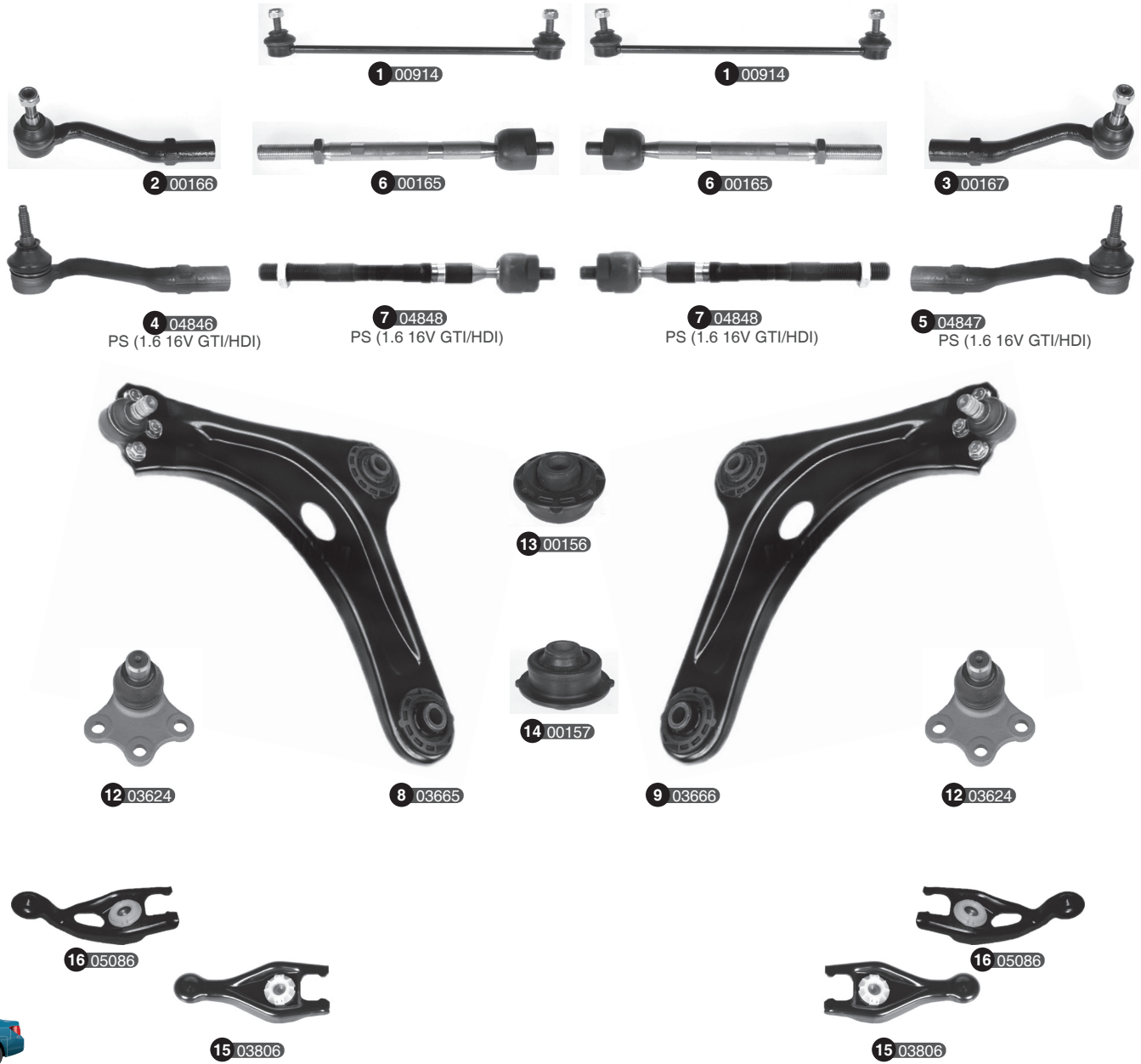


Ref	Old code	CODE	Description	OE - Number	OE - Number	FEATURES	Ref	Old code	CODE	Description	OE - Number	OE - Number	FEATURES
1	PJ192	01032	Stabilizer link	1308664080	508735	M12x1,25-123 mm	5	FI105-R	00312	Control arm complete-R	1313084080	3521C9	17-308 mm
2	PJ058	00953	Tie rod end	405909	9404059580	M10x1,25-Female-M14x1,5-76 mm	6	FI144	01601	Bushing	1312317080		Small
3	PJ057	00952	Axial joint	3812A4	9566950880	M14x1,5-M14x1,5-304,5 mm	7	FI143-L	01693	Bushing-L	1305551080		Big
4	FI105-L	00311	Control arm complete-L	1313083080	71737047	17-308 mm	8	FI143-R	01694	Bushing-R	1305552080		Big
							9	-	03806	Clutch link	211766		-

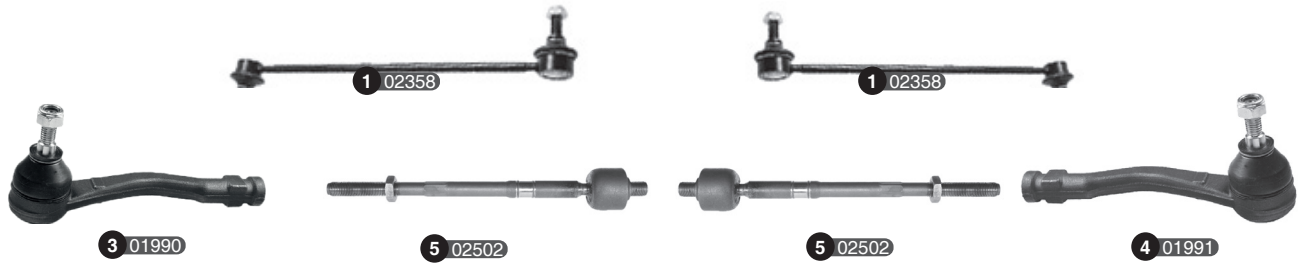


Ref	Old code	CODE	Description	OE – Number	OE – Number	FEATURES	Ref	Old code	CODE	Description	OE – Number	OE – Number	FEATURES
1	FI160	00341	Stabilizer link	1331209080	508751	M10x1,5-262,5 mm	9	-	01714	Control arm complete-R	3521H1	93501488	17-319 mm
2	-	01704	Tie rod end	405912	77362279	-	10	FI144	01601	Bushing	1312317080		Small
3	-	01705	Axial joint	3812E2	77362280	M14x1,5- M14x1,5-315 mm	11	-	05090	Bushing	1359398080 Part of		Small
4	-	05088	Control arm complete-L	3520X0		-	13	-	02529	Bushing-R	1497407080 Part of		Big
5	-	05089	Control arm complete-R	1356061080	3521T2	-	12	-	02528	Bushing-L	1497408080 Part of		Big
6	-	05091	Control arm complete-L	1401239580	3520V8	-	14	-	05093	Bushing-L	1401239580 Part of		Big
7	-	05092	Control arm complete-R	1401239480	3521S0	-	15	-	05094	Bushing-R	1401239480 Part of 1		Big
8	-	01713	Control arm complete-L	93501487		17-319 mm	16		02527	Bushing	3520G9S1		Small
							17	-	04913	Clutch link	211765	9808513380	-





Ref	Old code	CODE	Description	OE - Number	OE - Number	FEATURES	Ref	Old code	CODE	Description	OE - Number	OE - Number	FEATURES
1	PJ016	00914	Stabilizer link	508745	9808868280	M10x1,5-335 mm	9	-	03666	Control arm complete-R	3521K1	3521N7	18-310,8 mm
2	CIT26-L	00166	Tie rod end-L	381755		M10x1,25-Female-M14x1,5-171 mm	10	CIT21-L	00159	Control arm w/o ball joint-L	3520R2 Part of		-
3	CIT26-R	00167	Tie rod end-R	381756		M10x1,25-Female-M14x1,5-171 mm	11	CIT21-R	00160	Control arm w/o ball joint-R	3521K1 Part of		-
4	-	04846	Tie rod end-L	381762		-	12	-	03624	Ball joint	364066		18
5	-	04847	Tie rod end-R	381761		-	13	CIT18	00156	Bushing	3523AA	9640877080	Big
6	CIT25	00165	Axial joint	3812E1		M14x1,5-M12x1-236 mm	14	CIT19	00157	Bushing	352398	9636191080	Small
7	-	04848	Axial joint	3812E6		-	15	-	03806	Clutch link	211766		-
8	-	03665	Control arm complete-L	3520R2	3520R6	18-310,8 mm	16	-	05086	Clutch link	211761		-



Ref	Old code	CODE	Description	OE - Number	OE - Number	FEATURES	Ref	Old code	CODE	Description	OE - Number	OE - Number	FEATURES
1	-	02358	Stabilizer link	508764	9809045780	M10x1,5-334 mm	7	-	03552	Control arm complete-R	3521R3		-
2	-	04865	Stabilizer link	517857		Rear	8	PJ052	00947	Ball joint	364053	364073	M14x1,5
3	-	01990	Tie rod end-L	381776	381789	M10x1,25-Female-M14x1,5-165 mm	9	PJ048	00944	Bushing	352392		Big
4	-	01991	Tie rod end-R	381775	381788	M10x1,25-Female-M14x1,5-165 mm	10	PJ090	00979	Bushing	352391	9671918880	Small
5	-	02502	Axial joint	3812F2		M14x1,5-M14x1,5-277,5 mm	11	-	03806	Clutch link	211766		-
6	-	03551	Control arm complete-L	3520V2		-	12		04913	Clutch link	211765	9808513380	-



1 00949



1 00949



3 01990



2 02358

5 02502



2 02358

5 02502



4 01991



10 00947

6 03551



11 00944



13 00979



7 03552



10 00947



10 00947

8 03922



12 00945



13 00979



9 03923



10 00947



15 04913

14 03806



15 04913

14 03806



Ref	Old code	CODE	Description	OE - Number	OE - Number	FEATURES	Ref	Old code	CODE	Description	OE - Number	OE - Number	FEATURES
1	PJ054	00949	Stabilizer link	508750	Part of	M10x1,5-334 mm	8	-	03922	Control arm complete-L	9805607480		-
2	-	02358	Stabilizer link	508764	9809045780	M10x1,5-334 mm	9	-	03923	Control arm complete-R	9805607380		-
3	-	01990	Tie rod end-L	381776	381789	M10x1,25-Female-M14x1,5-165 mm	10	PJ052	00947	Ball joint	364053	364073	M14x1,5
4	-	01991	Tie rod end-R	381775	381788	M10x1,25-Female-M14x1,5-165 mm	11	PJ048	00944	Bushing	352392		Big
5	-	02502	Axial joint	3812F2		M14x1,5-M14x1,5-277,5 mm	12	PJ049	00945	Bushing	352376		
6	-	03551	Control arm complete-L	3520V2		-	13	PJ090	00979	Bushing	352391	9671918880	Small
7	-	03552	Control arm complete-R	3521R3		-	14	-	03806	Clutch link	211766		-
							15		04913	Clutch link	211765	9808513380	-



1 00237



1 00237



2 00234



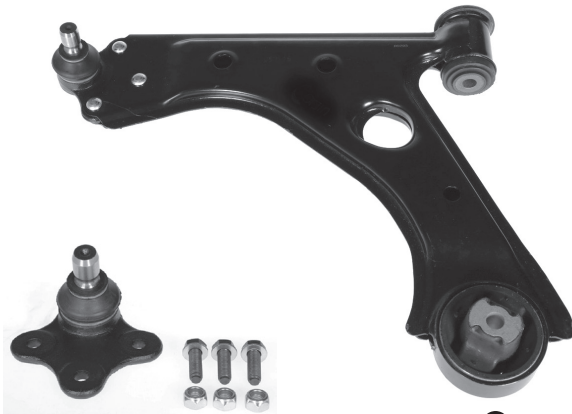
4 00236



4 00236



3 00235



8 00297

5 00293



9 00295



10 00296



6 00294

8 00297



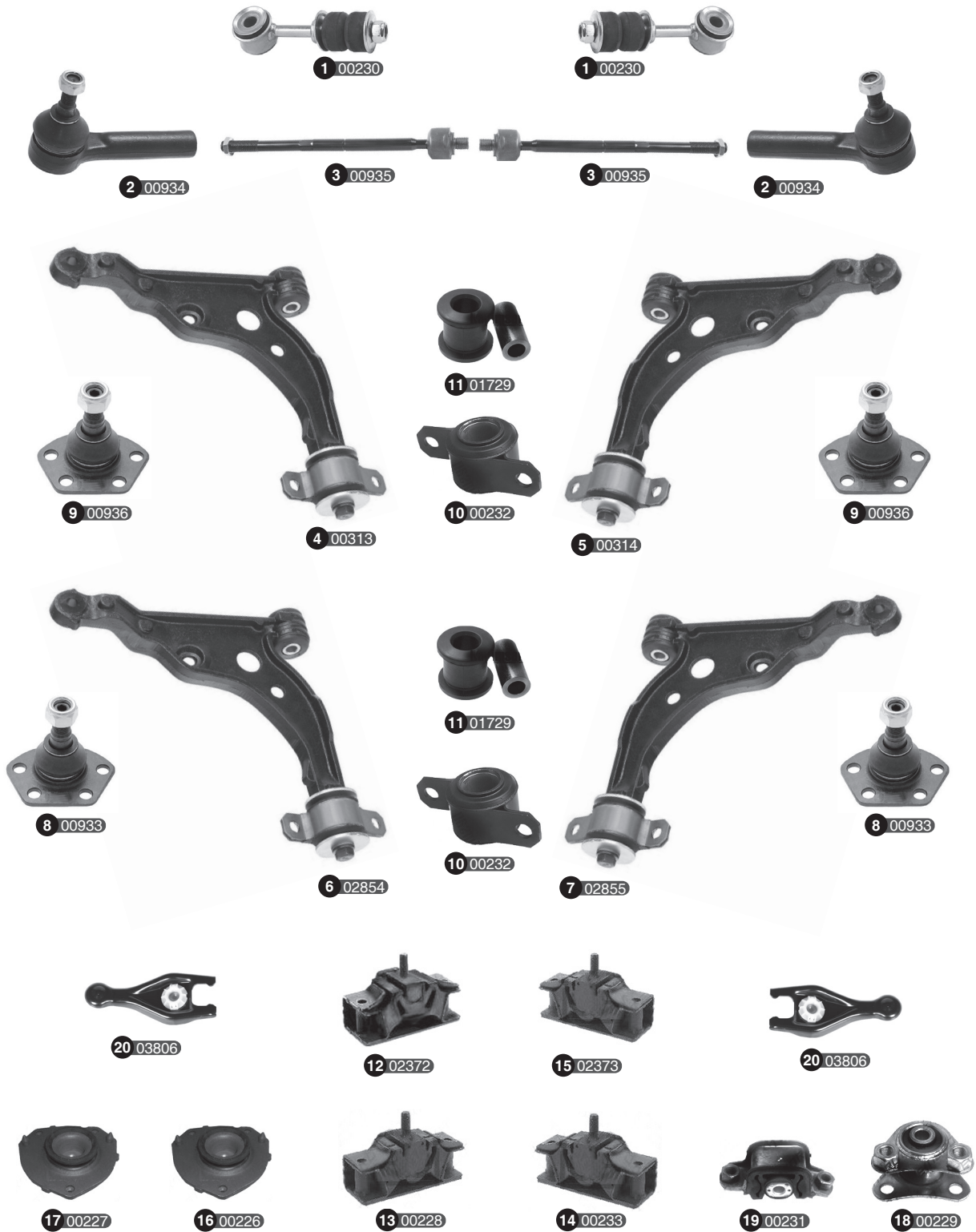
11 05086



11 05086



Ref	Old code	CODE	Description	OE - Number	OE - Number	FEATURES	Ref	Old code	CODE	Description	OE - Number	OE - Number	FEATURES
1	FI025	00237	Stabilizer link	508765	51815480	M10x1,5-290 mm	6	FI087-R	00294	Control arm complete-R	3521S6	55703627	338 mm
2	FI023-L	00234	Tie rod end-L	381786		M10x1,5-Female-M14x1,5-112,5 mm	7	FI086	00291	Control arm w/o ball joint	51783056 Part of		-
3	FI023-R	00235	Tie rod end-R	77364569	381787	M10x1,5-Female-M14x1,5-112,5 mm	8	FI090	00297	Ball joint	352067	93190907	16
4	FI024	00236	Axial joint	400177	51784191	M14x1,5-M14x1,5-274,5 mm	9	FI088	00295	Bushing	13260666		Small
5	FI087-L	00293	Control arm complete-L	46474556	51895367	338 mm	10	FI089	00296	Bushing	3520W3 Part of 5		Big
							11	-	05086	Clutch link	211761		-



Ref	Old code	CODE	Description	OE – Number	OE – Number	FEATURES	Ref	Old code	CODE	Description	OE – Number	OE – Number	FEATURES
1	FI019	00230	Stabilizer link	1300716080	508737	M12x1,25-238 mm	11	FI012	01729	Bushing	1300507080	352393	Small
2	PJ039	00934	Tie rod end	1306716080	4018H4	M12x1,25-Female-M16x1,5-120 mm	12	FI013	02372	Engine Mounting-R	1307907080	182719	-
3	PJ040	00935	Axial joint	1471654080	9944594	M16x1,5-M16x1,5-320 mm	13	FI014	00228	Engine mounting-L	1307908080	182717	-
4	FI106-L	00313	Control arm complete-L	352096		357,3 mm-Casting	14	FI022	00233	Engine mounting-R	1307906080	184446	-
5	FI106-R	00314	Control arm complete-R	352166		357,3 mm-Casting	15	FI015	02373	Engine Mounting-L	1307905080	182718	-
6	-	02854	Control arm complete-L	352095		368 mm-Forging	16	FI010-L	00226	Shock absorber mounting-L	1307242080	503819	-
7	-	02855	Control arm complete-R	352165		368 mm-Forging	17	FI010-R	00227	Shock absorber mounting-R	1307241080	503818	-
8	PJ038	00933	Ball joint	1302368080	364032	M16x1,5	18	FI016	00229	Gearbox mounting-L	1310575080	184665	-
9	PJ041	00936	Ball joint	1300473080	364033	M18x1,5	19	FI020	00231	Gearbox mounting-R	1308696080	184666	-
10	FI021	00232	Bushing	1320755080SK	3523AP	Big	20	-	03806	Clutch link	211766		-

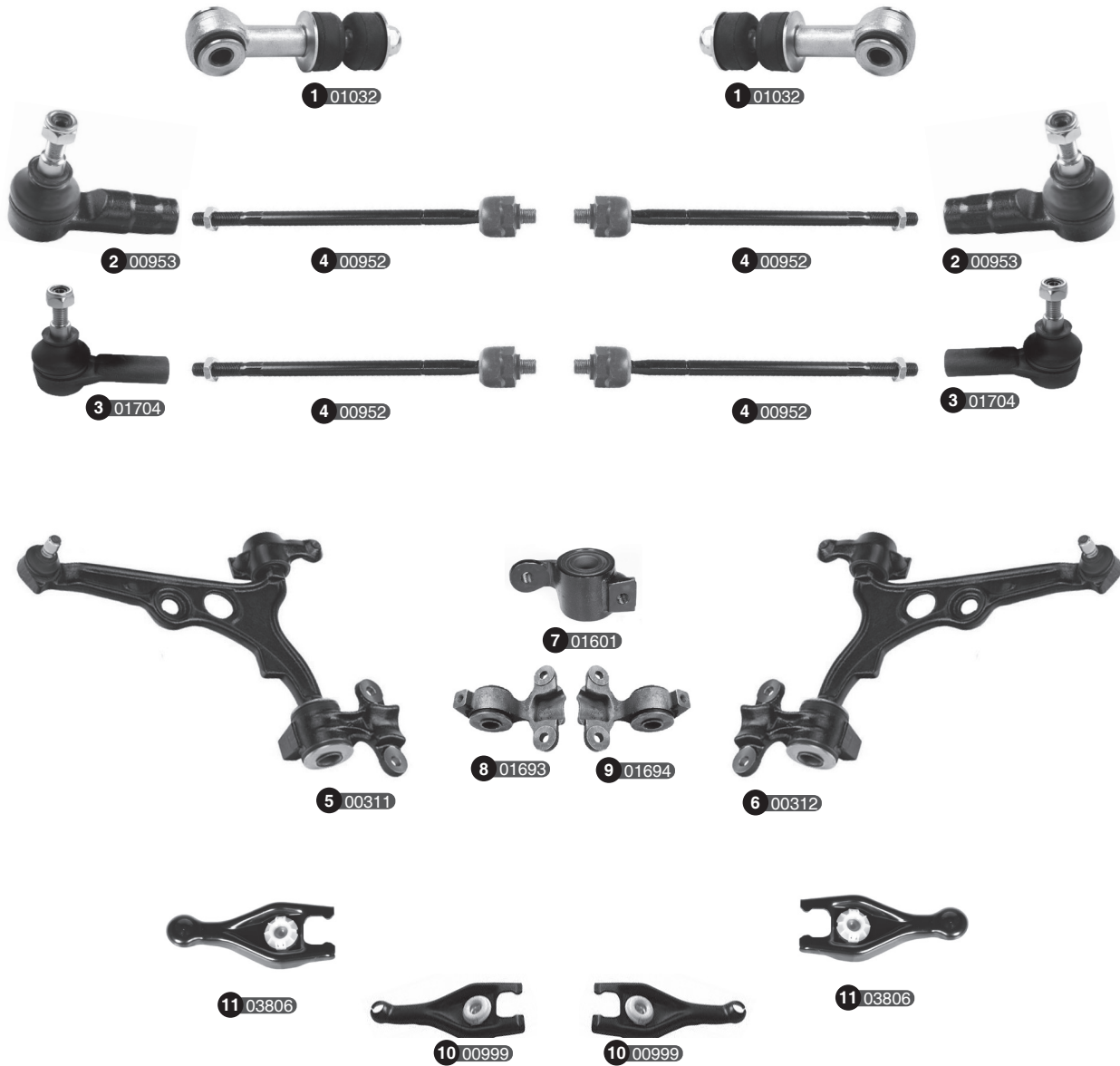




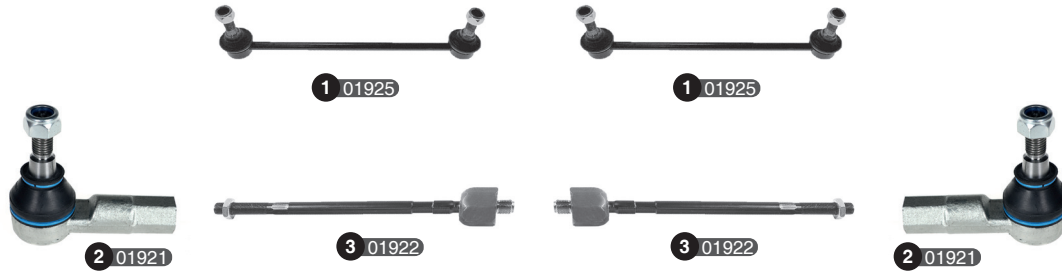
Ref	Old code	CODE	Description	OE - Number	OE - Number	FEATURES	Ref	Old code	CODE	Description	OE - Number	OE - Number	FEATURES
1	FI019	00230	Stabilizer link	1300716080	508737	M12x1,25-238 mm	7	-	02864	Control arm complete-L	3520N4		Forging
2	PJ039	00934	Tie rod end	1306716080	4018H4	M12x1,25-Female-M16x1,5-120 mm	8	-	02865	Control arm complete-R	3521J4		Forging
3	PJ092	00981	Tie rod end	4018E0	77362278	M14x1,5-Female-M16x1,5-120 mm	9	PJ086	00976	Ball joint	364054		M18x1,5
4	PJ040	00935	Axial joint	1471654080	9944594	M16x1,5-M16x1,5-320 mm	10	PJ091	00980	Ball joint	364055		M16x1,5
5	-	02862	Control arm complete-L	1339465080	3520N3	358 mm-Forging	11	FI021	00232	Bushing	1320755080SK	3523AP	Big
6	-	02863	Control arm complete-R	1331940080	3521J3	358 mm-Forging	12	FI012	01729	Bushing	1300507080	352393	Small



Ref	Old code	CODE	Description	OE - Number	OE - Number	FEATURES	Ref	Old code	CODE	Description	OE - Number	OE - Number	FEATURES
1	-	02082	Stabilizer link	1357572080	5081N9	M12x1,25-112 mm	8	-	03315	Control arm complete-L	3520S0		405,5 mm-Forging 1,0Q / 1,5Q / 1,7Q
2	-	02511	Stabilizer link	1355449080	5170F6	M10x1,5-99 mm Rear	9	-	03316	Control arm complete-R	3521P1		405,5 mm-Forging 1,0Q / 1,5Q / 1,7Q
3	PJ201-L	01034	Tie rod end-L	77364253		M14x1,5-Female- M16x1,5-208 mm	10	PJ063	00960	Ball joint	364067	50705629	M16x1,5
4	PJ201-R	01035	Tie rod end-R	77364009		M14x1,5-Female- M16x1,5-208 mm	11	-	02435	Bushing	50705197		Small
5	-	01933	Axial joint	X00014		M16x1,5- M16x1,5-260 mm	12	-	02436	Bushing	50705198		Big
6	-	02235	Control arm complete-L	3520S1		405 mm 1,7H / 2,0Q	13	-	04913	Clutch link	211765	9808513380	-
7	-	02236	Control arm complete-R	3521P2		405 mm 1,7H / 2,0Q							



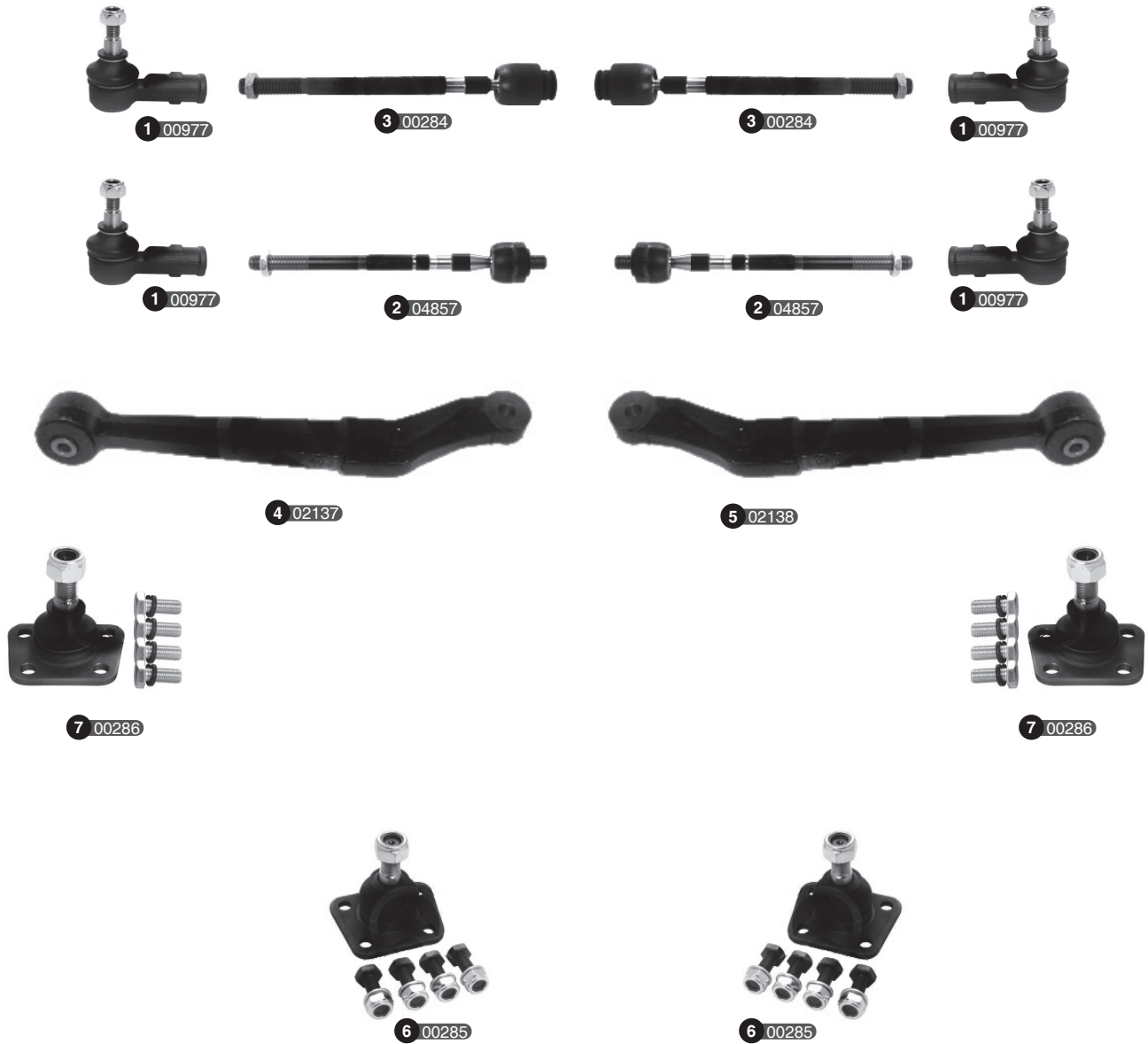
Ref	Old code	CODE	Description	OE - Number	OE - Number	FEATURES	Ref	Old code	CODE	Description	OE - Number	OE - Number	FEATURES
1	PJ192	01032	Stabilizer link	1308664080	508735	M12x1,25-123 mm	6	FI105-R	00312	Control arm complete-R	3521C9		17-308 mm
2	PJ058	00953	Tie rod end	405909	9404059580	M10x1,25-Female-M14x1,5-76 mm	7	FI144	01601	Bushing	1312317080		Small
3	-	01704	Tie rod end	405912	77362279	-	8	FI143-L	01693	Bushing-L	1305551080		Big
4	PJ057	00952	Axial joint	3812A4	9566950880	M14x1,5-M14x1,5-304,5 mm	9	FI143-R	01694	Bushing-R	1305552080		Big
5	FI105-L	00311	Control arm complete-L	3520G9	71737047	17-308 mm	10	PJ157	00999	Clutch link	2117.58	211758	142 mm
							11	-	03806	Clutch link	211766		-



Ref	Old code	CODE	Description	OE - Number	OE - Number	FEATURES	Ref	Old code	CODE	Description	OE - Number	OE - Number	FEATURES
1	-	01925	Stabilizer link	508756		M12x1,75-264 mm	5	-	01924	Control arm complete-R	3521N9		19-319 mm
2	-	01921	Tie rod end	381773	9403817738	M12x1,5-Female-M14x1,5-80 mm	6	-	02527	Bushing	3520G9S1		Small
3	-	01922	Axial joint	3812F0		M14x1,5-M16x1,5-305 mm	7	-	02528	Bushing-L	1497408080	Part of	Big
4	-	01923	Control arm complete-L	3520R8		19-319 mm	8	-	02529	Bushing-R	1497407080	Part of	Big
							9	-	04913	Clutch link	211765	9808513380	-



Ref	Old code	CODE	Description	OE - Number	OE - Number	FEATURES	Ref	Old code	CODE	Description	OE - Number	OE - Number	FEATURES
1	-	04768	Stabilizer link-L	508780		-	7	-	04763	Control arm w/o ball joint-L	3520Y5	Part of	-
2	-	04769	Stabilizer link-R	508781		-	8	-	04764	Control arm w/o ball joint-R	3521V6	Part of	-
3	VOL05-HD029	01341	Tie rod end	30870695	MR476457	M10x1,25-Female-M12x1,25-77 mm	9	-	04766	Ball joint	3520Y5	Part of	-
4	-	04767	Axial joint	3812G6	4422A035	-	10	-	02439	Bushing	30818467	MR130982	Small
5	-	04761	Control arm complete-L	3520Y5	4013A291	-	11	-	04765	Bushing	3520Y5	Part of	MR316074 Big
6	-	04762	Control arm complete-R	3521V6	4013A292	-							



Ref	Old code	CODE	Description	OE - Number	OE - Number	FEATURES	Ref	Old code	CODE	Description	OE - Number	OE - Number	FEATURES
1	PJ087	00977	Tie rod end	381711	9750079980	M12x1,25-Female-M16x1,5-78 mm	4	-	02137	Control arm complete-L	352076	7695191	-
2	-	04857	Axial joint	ZF09941080		-	5	-	02138	Control arm complete-R	352152	7695190	-
3	FI078	00284	Axial joint	381227	9941080	M16x1,5-M16x1,5-289 mm	6	FI079	00285	Ball joint	364017	7567286	M14x1,5
							7	FI080	00286	Ball joint	364026	7567284	M16x1,5



Ref	Old code	CODE	Description	OE - Number	OE - Number	FEATURES	Ref	Old code	CODE	Description	OE - Number	OE - Number	FEATURES
1	PJ098-R	00985	Tie rod end-R	387431		M12x1,5-Male-M20x1,5 RHT-95 mm	3	PJ185	01024	Tie rod assembly	381330		M12x1,5-371,5 mm
2	PJ098-L	00986	Tie rod end-L	387430		M12x1,5-Male-M20x1,5 LHT-95 mm	4	PJ096	00983	Ball joint	360828	93807545	M18x1,5
							5	PJ097	00984	Ball joint	362215		24



1 00912



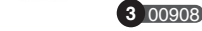
1 00912



2 00913



2 00913



3 00908



4 00909



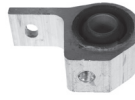
5 00898



19 00900



6 00899



23 02434



17 00910



17 00910



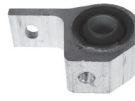
18 00911



19 00900



8 00903



23 02434



18 00911



9 00990



19 00900



10 00991



21 00978



11 02430



19 00900



12 02431



20 00901

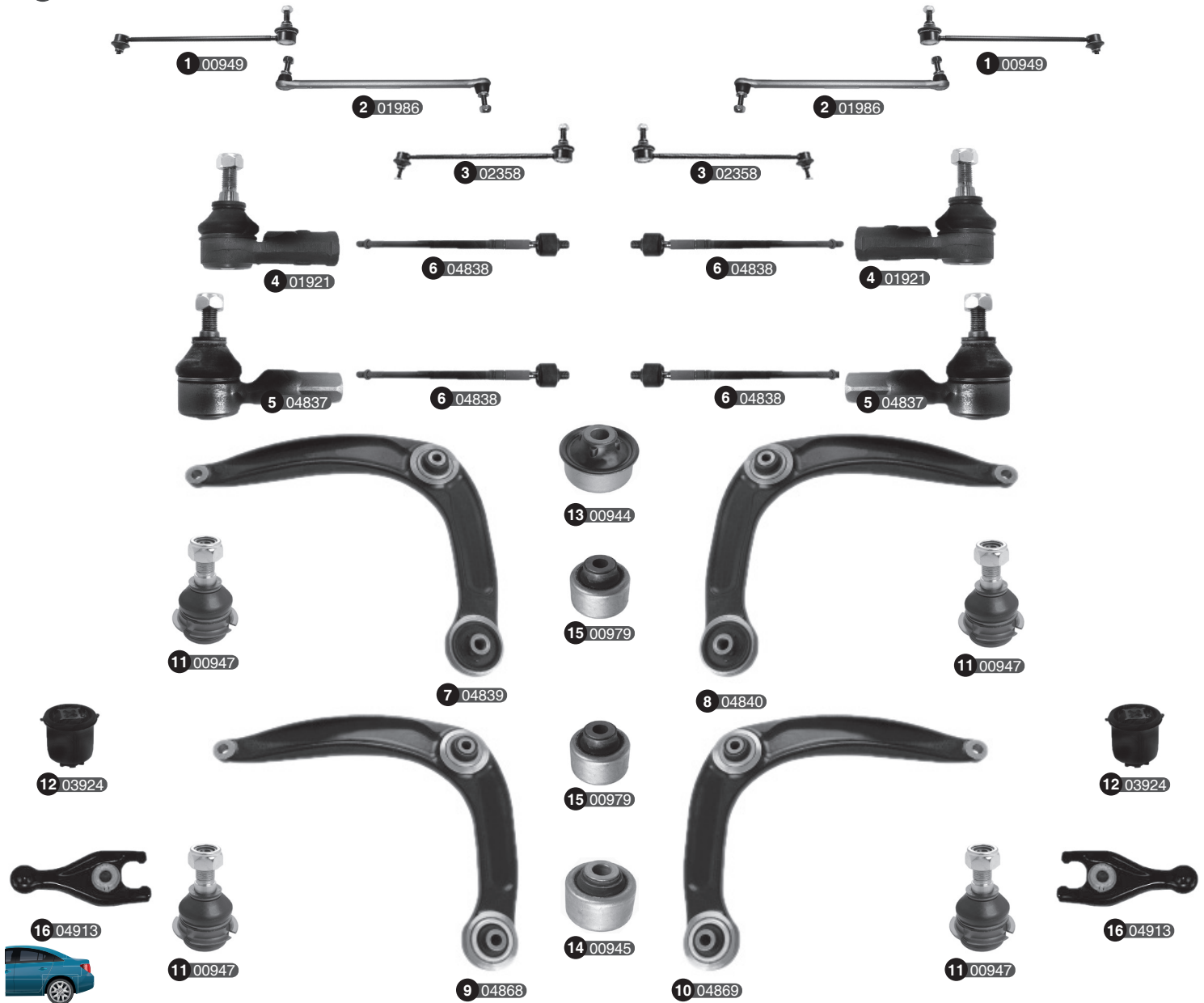




Ref	Old code	CODE	Description	OE - Number	OE - Number	FEATURES	Ref	Old code	CODE	Description	OE - Number	OE - Number	FEATURES
1	PJ014	00912	Stabilizer link	508734	96152213	M10x1,25-149 mm	13	PJ002-L	00896	Control arm w/o ball joint-L	-		Grey
2	PJ015	00913	Stabilizer link	508738	9631512680	M10x1,5-300 mm	14	PJ002-R	00897	Control arm w/o ball joint-R	-		Grey
3	PJ009	00908	Tie rod end	941000965	95590802	M10x1,25-Male-M14x1,5-92 mm	15	-	02259	Control arm w/o ball joint-L	-		Black
4	PJ010	00909	Axial joint	3812C0	96048214	M14x1,5-M12x1-340 mm	16	-	02260	Control arm w/o ball joint-R	-		Black
5	PJ003-L	00898	Control arm complete-L	3520A2		333 mm Grey	17	PJ012	00910	Ball joint	364050	364051	18
6	PJ003-R	00899	Control arm complete-R	3521C4		333 mm Grey	18	PJ013	00911	Ball joint	364038	96103696	16
7	PJ006-L	00902	Control arm complete-L	95658885	95668511 + 364043	335 mm Black	19	PJ004	00900	Bushing	96110483		Small
8	PJ006-R	00903	Control arm complete-R	3521A6	95668510 + 364043	335 mm Black	20	PJ005	00901	Bushing	352375		Big
9	PJ105-L	00990	Control arm complete-L	3520J3	3520V3	18-329,5 mm	21	PJ089	00978	Bushing	3520J3 Part of		Big
10	PJ105-R	00991	Control arm complete-R	3521E9	3521R4	18-329,5 mm	22	PJ159	01000	Bushing	180756	97523179	-
11	-	02430	Control arm complete-L	XX00031		18-329,5 mm	23	-	02434	Bushing	352383		Aluminyum
12	-	02431	Control arm complete-R	X00031		18-329,5 mm	24	PJ157	00999	Clutch link	211758		142 mm
							25	-	03806	Clutch link	211766		-



Ref	Old code	CODE	Description	OE - Number	OE - Number	FEATURES	Ref	Old code	CODE	Description	OE - Number	OE - Number	FEATURES
1	PJ054	00949	Stabilizer link	508750	Part of	M10x1,5-334 mm	5	PJ025	01989	Axial joint	3812F4		M14x1,5- M14x1,5-263 mm
2	-	01986	Stabilizer link	508750	508778	M10x1,5-335 mm Aluminum	6	PJ080-L	00969	Control arm complete-L	3520K8	3520P3	331,5 mm
3	-	01990	Tie rod end-L	1610936880	381789	M10x1,25- Female- M14x1,5-165 mm	7	PJ080-R	00970	Control arm complete-R	3521G8	3521K3	331,5 mm
4	-	01991	Tie rod end-R	1610936580	381788	M10x1,25- Female- M14x1,5-165 mm	8	PJ052	00947	Ball joint	1607297480	364073	M14x1,5
							9	PJ048	00944	Bushing	352377	352392	Big
							10	PJ090	00979	Bushing	352391	9671918880	Small
							11	-	01000	Bushing	180756	97523179	-



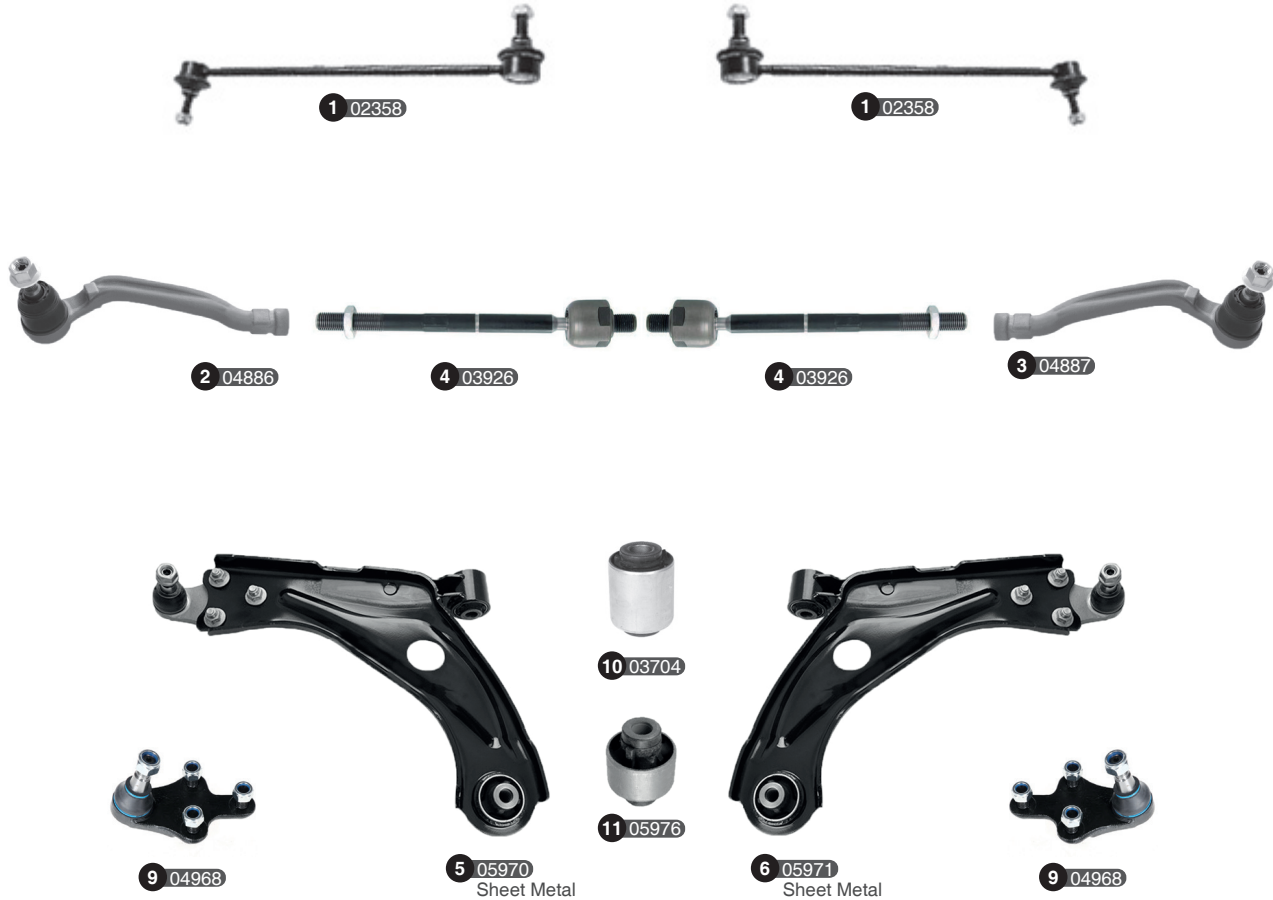
Ref	Old code	CODE	Description	OE - Number	OE - Number	FEATURES	Ref	Old code	CODE	Description	OE - Number	OE - Number	FEATURES	
1	PJ054	00949	Stabilizer link	508750 Part of		M10x1,5-334 mm	8	-	04840	Control arm complete-R	3521V4		-	
2	-	01986	Stabilizer link	508757	508778	M10x1,5-335 mm Aluminum	9	-	04868	Control arm complete-L	9806738380		-	
3	-	02358	Stabilizer link	508764	9809045780	M10x1,5-334 mm	10	-	04869	Control arm complete-R	9806738280		-	
4	-	01921	Tie rod end	381773	9403817738	M12x1,5-Female-M14x1,5-80 mm	11	PJ052	00947	Ball joint	364053	364073	M14x1,5	
5	-	04837	Tie rod end	381794		-	12	-	03924	Bushing	5131G4		-	
6	-	04838	Axial joint	3812F7		-	13	PJ048	00944	Bushing	352392		Big	
7	-	04839	Control arm complete-L	3520Y3		-	14	PJ049	00945	Bushing	352376		Big	
							15	PJ090	00979	Bushing	352391	9671918880		Small
							16	-	04913	Clutch link	211765	9808513380		-



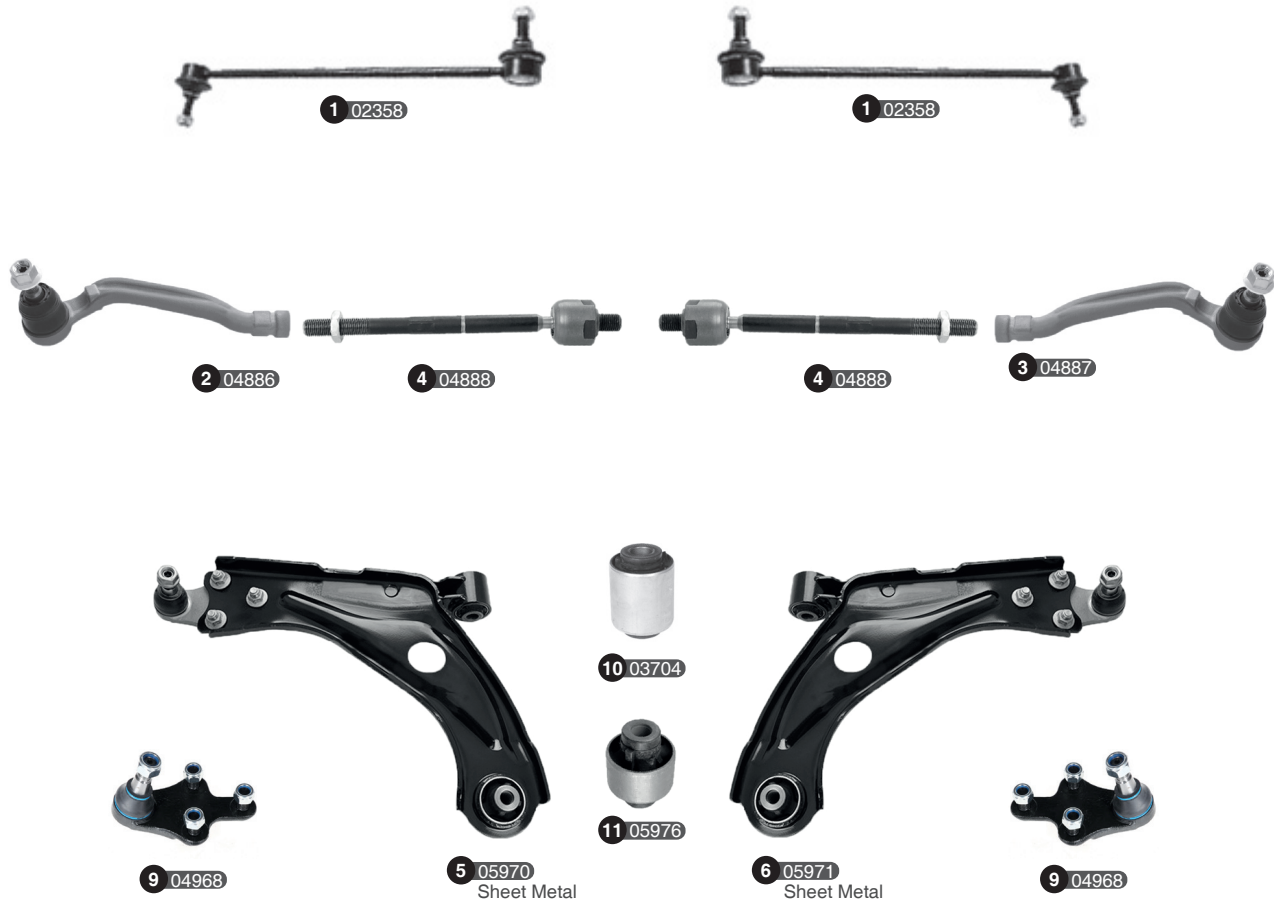
Ref	Old code	CODE	Description	OE - Number	OE - Number	FEATURES	Ref	Old code	CODE	Description	OE - Number	OE - Number	FEATURES
1	PJ164-L	02332	Stabilizer link-L	X00027		M12x1,75-170 mm	2	PJ164-R	02333	Stabilizer link-R	X00028		M12x1,75-170 mm



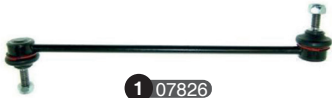
Ref	Old code	CODE	Description	OE - Number	OE - Number	FEATURES	Ref	Old code	CODE	Description	OE - Number	OE - Number	FEATURES
1	-	07093	Stabilizer link	9809090180	SU001A6492	-	6	-	07098	Control arm complete-R	9816863580	SU001A6516	-
2	-	07094	Tie rod end-L	9820340080	SU001A7207	M14X1.5R	7	-	07099	Ball Joint	9818655580	SU001A6525	Lower
3	-	07095	Tie rod end-R	9820340180	SU001A7208	M14X1.5R	8	-	07100	Bushing	9809082680	-	Small
4	-	07096	Axial joint	9820340280 PART OF	-	M16X1.5R	9	-	07101	Bushing	9816557980	-	Big
5	-	07097	Control arm complete-L	9816863680	SU001A6517	-	10	-	07106	Stabilizer link	9805621380	-	Rear



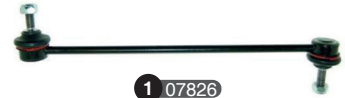
Ref	Old code	CODE	Description	OE - Number	OE - Number	FEATURES	Ref	Old code	CODE	Description	OE - Number	OE - Number	FEATURES
1	-	02358	Stabilizer link	1610930280	1614281180	M10x1,5-334 mm	7	-	05972	Control arm w/o ball joint-L	3646272 Part of	9816865580 Part of	-
2	-	04886	Tie rod end-L	1610817780	39176184 Part of	-	8	-	05973	Control arm w/o ball joint-R	3656247 Part of	9816865480 Part of	-
3	-	04887	Tie rod end-R	1610817880	39176184 Part of	-		9	-	04968	Ball joint	3637430	9803434080
4	-	03926	Axial joint	1610817680	-	-	10	-	03704	Bushing	3637432	9676032180	-
5	-	05970	Control arm complete-L	3646272	9816865580	-	11	-	05976	Bushing	3644790	9816380380	-
6	-	05971	Control arm complete-R	3656247	9816865480	-							



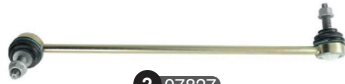
Ref	Old code	CODE	Description	OE - Number	OE - Number	FEATURES	Ref	Old code	CODE	Description	OE - Number	OE - Number	FEATURES
1	-	02358	Stabilizer link	1610930280	1614281180	M10x1,5-334 mm	7	-	05972	Control arm w/o ball joint-L	3646272 Part of	9816865580 Part of	-
2	-	04886	Tie rod end-L	1610817780	39176184 Part of	-	8	-	05973	Control arm w/o ball joint-R	3656247 Part of	9816865480 Part of	-
3	-	04887	Tie rod end-R	1610817880	39176184 Part of	-							
4	-	04888	Axial joint	1611242380	-	-	9	-	04968	Ball joint	3637430	9803434080	-
5	-	05970	Control arm complete-L	3646272	9816865580	-	10	-	03704	Bushing	3637432	9676032180	-
6	-	05971	Control arm complete-R	3656247	9816865480	-	11	-	05976	Bushing	3644790	9816380380	-



1 07826
ICE



1 07826
ICE



2 07827
ELEC.



3 07828
ELEC.



14 07874

4 07830

4 07830

15 07875



7 07820

5 07814



8 07824



9 07825



6 07815



7 07820

ICE (INTERNAL COMBUSTION ENGINE) DRIVE TRAIN



12 07823

10 07821



8 07824



9 07825



11 07822



12 07823

ELECTRIC DRIVE TRAIN



13 07829
ICE



13 07829
ICE



Ref	Old code	CODE	Description	OE – Number	OE – Number	FEATURES	Ref	Old code	CODE	Description	OE – Number	OE – Number	FEATURES
1	-	07826	Stabilizer link	9824652580	-	-	9	-	07825	Bushing	9829930480	-	-
2	-	07827	Stabilizer link-L	9836849580	-	-	10	-	07821	Control arm complete-L	9831683580	-	-
3	-	07828	Stabilizer link-R	9836842480	-	-	11	-	07822	Control arm complete-R	9831621480	-	-
4	-	07830	Axial joint	1648322280 PART OF	-	-	12	-	07823	Ball joint	9824626780	-	-
5	-	07814	Control arm complete-L	9831626480	-	-	13	-	07829	Bushing	9825551480	-	-
6	-	07815	Control arm complete-R	9832039280	-	-	14	-	07874	Tie rod end-L	1669648480	-	-
7	-	07820	Ball joint	9824626380	-	-	15	-	07875	Tie rod end-R	1669648580	-	-
8	-	07824	Bushing	9829920980	-	-							





Ref	Old code	CODE	Description	OE - Number	OE - Number	FEATURES	Ref	Old code	CODE	Description	OE - Number	OE - Number	FEATURES
1	-	07826	Stabilizer link	9824652580	-	-	7	-	07824	BUSHING	9829920980	9831621480 PART OF	-
2	-	08012	TIE ROD END-LH	1673314480	-	-	8	-	08020	BUSHING	9831682580 PART OF 2	9831682780 PART OF 2	-
3	-	08013	TIE ROD END-RH	1673314580	-	-	9	-	07823	BALL JOINT (LOWER)	9824626780	-	-
4	-	07830	AXIAL JOINT	1648322280 PART OF	-	-	10	-	08021	BUSHING	9825658680	-	-
5	-	08014	CONTROL ARM-LH (LOWER) (COMPLETE)	9831682580	-	-	11	-	08022	BUSHING	9835937980	-	-
6	-	08015	CONTROL ARM-RH (LOWER) (COMPLETE)	9831682780	-	-							



1.2 THP 81KW + 1.6 BLUE HDI





AT6 AUT. TRANSMISSION -> OPR14573



AT6 AUT. TRANSMISSION OPR 14574 ->



26 05086



26 05086



27 03921



27 03921



Ref	Old code	CODE	Description	OE – Number	OE – Number	FEATURES	Ref	Old code	CODE	Description	OE – Number	OE – Number	FEATURES
1	PJ016	00914	Stabilizer link	508745	508759	M10x1,5-335 mm	15	-	02769	Control arm w/o ball joint-L	3520W7	3520W8	-
2	PJ169-L	01006	Stabilizer link-L	508769	508754	M10x1,5-330 mm	16	-	02770	Control arm w/o ball joint-R	3521S9	3521T0	-
3	PJ169-R	01007	Stabilizer link-R	508768	508755	M10x1,5-330 mm	17	-	02468	Bushing	3520W7 PART OF 4	3520W8 PART OF 4	-
4	-	03507	Tie rod end-L	1608025180	1508025180	M10x1,25-Female-M14x1,5-199 mm	18	-	01022	Control arm complete-L	1607305080	3520Q9	-
5	-	03508	Tie rod end-R	1608025280	-	M10x1,25-Female-M14x1,5-199 mm	19	-	01023	Control arm complete-R	1607305180	3521N0	-
6	-	03509	Axial joint	1608025380	-	M14x1,5-M12x1-225 mm	20	-	01027	Ball joint	364061	364062	-
7	-	01017	Tie rod end-L	381767	1608652280	M14x1,5-M12x1-225 mm	21	-	01025	Bushing	3523CE	9658583580	-
8	-	01018	Tie rod end-R	1610935280	381768	M14x1,5-M12x1-225 mm	22	-	01026	Bushing	3523CC	9677041080	-
9	-	06175	Axial joint	1611158680	-	M14x1,5-M12x1-225 mm	23	-	06166	CONTROL ARM LH (LOWER) (COMPLETE)	9822126880	-	-
10	-	03698	Control arm complete-L	9803286580	-	327 mm	24	-	06167	CONTROL ARM RH (LOWER) (COMPLETE)	9822126980	-	-
11	-	03699	Control arm complete-R	9803286480	-	327 mm	25	-	06170	Bushing	9655766880	9880613880	-
12	-	02771	Ball joint	364077	-	18	26	-	05086	Clutch link	211761	-	-
13	-	02467	Bushing	9803286580 Part of	-	Small	27	-	03921	Bushing	3637302	9680667580	-
14	-	03702	Bushing	9803286480 Part of	-	Big							





206 (2A/C) (09/1998-->)
206 SW (2E/K) (07/2002-->)
206 CC (2D) (09/2000-->)
206 + (T3E) (01/2009-->)





206 (2A/C) (09/1998-->)
206 SW (2E/K) (07/2002-->)
206 CC (2D) (09/2000-->)
206 + (T3E) (01/2009-->)





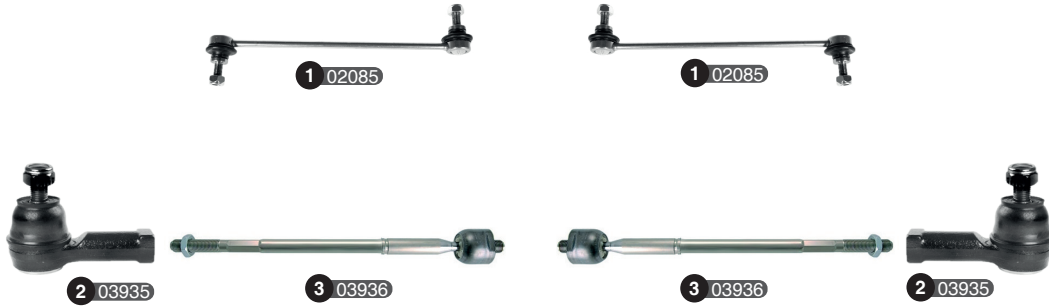
Ref	Old code	CODE	Description	OE - Number	OE - Number	FEATURES	Ref	Old code	CODE	Description	OE - Number	OE - Number	FEATURES
1	PJ016	00914	Stabilizer link	508745	508759	M10x1,5-335 mm	11	-	07136	Bushing	3523AG	-	-
2	PJ017-L	00915	Tie rod end-L	381714	381730	M10x1,25-Male-M14x1,5-116 mm	12	PJ077-L	00967	Control arm complete-L	3520H7	3520V6	18-315 mm
3	PJ017-R	00916	Tie rod end-R	381716	381731	M10x1,25-Male-M14x1,5-116 mm	13	PJ077-R	00968	Control arm complete-R	3521E7	3521R7	18-315 mm
4	PJ018	00917	Axial joint	3812C5	-	M14x1,5-M14x1,5-301,5 mm	14	PJ159	01000	Bushing	180757	97523179	-
5	PJ074-L	00965	Control arm complete-L	3520G8	3520GB	18-315 mm	15	PJ160	01001	Bushing	180757	-	-
6	PJ074-R	00966	Control arm complete-R	3521C8	-	18-315 mm	16	PJ156	00998	Clutch link	2117.58	-	142 mm
7	PJ049	00945	Bushing	352376	-	-	17	PJ157	00999	Clutch link	211758	-	142 mm
8	PJ048	00944	Bushing	352392	352377	-	18	-	03806	Clutch link	211766	-	-
9	-	07134	Control arm complete-L	3520L7	3520W0	-	19	-	05086	Clutch link	211761	-	-
10	-	07135	Control arm complete-R	3521H9	3521S1	-							





Ref	Old code	CODE	Description	OE - Number	OE - Number	FEATURES	Ref	Old code	CODE	Description	OE - Number	OE - Number	FEATURES
1	-	02085	Stabilizer link	508758	MN101368	M10x1,25-265 mm	7	-	02096	Control arm complete-R	1612448480	3521V0	-
2	-	02163	Stabilizer link-L	517848	-	M10x1,25-80 mm Rear	8	-	03937	Track rod	1607498780	5175EG	-
3	-	02164	Stabilizer link-R	517849	MN184194	M10x1,25-80 mm Rear	9	-	04774	Track rod	5175EH	-	-
4	-	02159	Tie rod end	381774	4422A018	-	10	-	02158	Ball joint	1612448380 Part of	-	-
5	-	02160	Axial joint	3812F1	4422A012	M14x1,5-M14x1,5-355 mm	11	-	02161	Bushing	1612448380 Part of	-	Small
6	-	02095	Control arm complete-L	1612448380	3520X9	-	12	-	02162	Bushing	1609910680	-	Big





-> OPR 13691 / -> 05/2014



OPR 13692 -> / 05/2014 ->





11 03937

-> OPR 13114 / -> 10/2012



11 03937

-> OPR 13114 / -> 10/2012



12 03938

OPR 13115 -> / 10/2012 ->



12 03938

OPR 13115 -> / 10/2012 ->



13 03939



13 03939

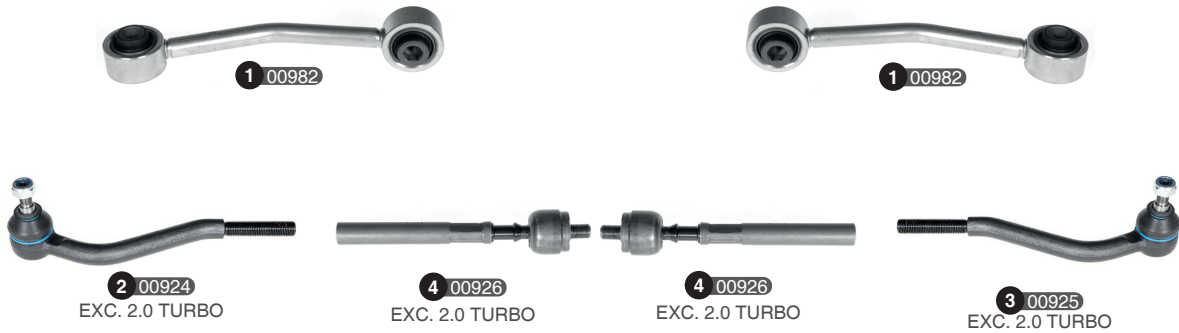


14 02163



15 02164



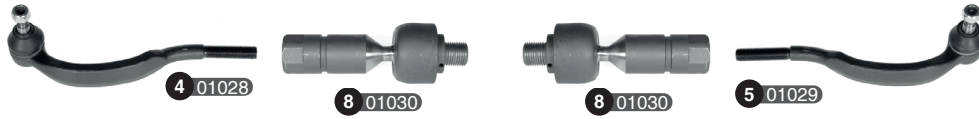


Ref	Old code	CODE	Description	OE – Number	OE – Number	FEATURES	Ref	Old code	CODE	Description	OE – Number	OE – Number	FEATURES
1	PJ093	00982	Stabilizer link	508727		M12x1,75-160 mm	9	PJ152	00997	Bushing	352342	352389	Big
2	PJ031-L	00924	Tie rod end-L	381721	381748	M10x1,25-Male-M14x1,5-229 mm	10	-	02139	Control arm complete-L	352047	3520A6	-
3	PJ031-R	00925	Tie rod end-R	381722	381749	M10x1,25-Male-M14x1,5-229 mm	11	-	02140	Control arm complete-R	352176	352177	-
4	PJ032	00926	Axial joint	381298	-	M14x1,5-M12x1-186,5 mm	12	PJ030	00928	Ball joint	364028	364034	M12x1,25
5	-	04879	Control arm complete-L	352065	-	-	13	PJ159	01000	Bushing	180756	97523179	-
6	-	04880	Control arm complete-R	352146	-	-	14	PJ161	01002	Bushing	180916	9616121080	-
7	PJ030	00923	Ball joint	364020	96041652	M12x1,25	15	PJ162	01003	Bushing	180906	-	-
8	PJ151	00996	Bushing	352340	-	Small							

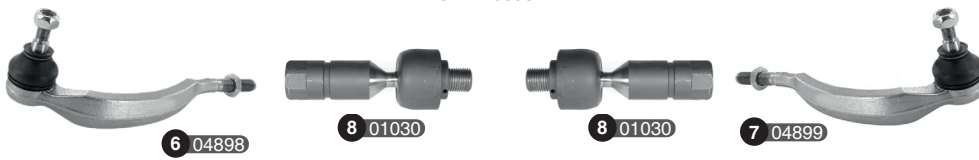




-> OPR 10597



OPR 10598 ->



VARIABLE SUSP.





STEEL SUBFRAME OPR 11802 ->



Ref	Old code	CODE	Description	OE – Number	OE – Number	FEATURES	Ref	Old code	CODE	Description	OE – Number	OE – Number	FEATURES
1	PJ168	01005	Stabilizer link	1607326080	9807130080	M10x1,5-140 mm Rear	17	-	04908	Track Control arm-L	5175CC	-	-
2	PJ170-L	01008	Stabilizer link-L	508752	-	M12x1,75-200 mm	18	-	04909	Track Control arm-R	5175CE	-	-
3	PJ170-R	01009	Stabilizer link-R	508753	-	M12x1,75-200 mm	19	-	03691	Track rod	5175CF	-	440 mm
4	PJ189-L	01028	Tie rod end-L	381758	-	M10x1,25-Male- M14x1,5-238 mm	20	-	04864	Track rod	517847	-	-
5	PJ189-R	01029	Tie rod end-R	381757	-	M10x1,25-Male- M14x1,5-238 mm	21	PJ167	01004	Ball joint	364057	364074	M14x1,5
6	-	04898	Tie rod end-L	381765	-	-	22	PJ172	01011	Bushing	3523AQ	-	Small
7	-	04899	Tie rod end-R	381766	-	-	23	-	04907	Bushing	5131C4	-	Big
8	PJ190	01030	Axial joint	3812E3	3812E7	M14x1,5- M16x1,5-105,5 mm	24	-	04910	Bushing	5131C3	-	Small
9	PJ174-L	01012	Control arm complete-L	3520N6	3520Q1	312 mm	25	-	04911	Bushing	5131C5	-	Big
10	PJ174-R	01013	Control arm complete-R	3521J6	3521L2	312 mm	26	PJ171	01010	Bushing	3520N6 Part of	-	Big
11	-	04900	Control arm complete-L	3520S8	-	-	27	-	04906	Bushing	3520X7 Part of	-	Big
12	-	04901	Control arm complete-R	3521P9	-	-	28	-	04912	Bushing	5175CG Part of	-	Small
13	-	04902	Control arm complete-L	3520X7	-	-	29	-	04993	Bushing	365604 Part of	-	Small
14	-	04903	Control arm complete-R	3521T8	-	-	30	-	03806	Clutch link	211766	-	-
15	-	04904	Control arm complete-L	5175CG	5175CN	-	31	-	04913	Clutch link	211765	9808513380	-
16	-	04905	Control arm complete-R	5175CH	5175CP	-	32	-	04906	Bushing	545056711R Part of	-	Big





EXC. PHEV DRIVE TRAIN



Ref	Old code	CODE	Description	OE - Number	OE - Number	FEATURES	Ref	Old code	CODE	Description	OE - Number	OE - Number	FEATURES
1	-	02358	Stabilizer link	1610930280	1614281180	M10x1,5 - 334 mm	7	-	03704	BUSHING	3637432	9676032180	-
2	-	04886	Tie rod end-L	1610817780	39176184 Part of	-	8	-	05976	BUSHING	3644790	9816380380	-
3	-	04887	Tie rod end-R	1610817880	39176184 Part of	-	9	-	04968	Ball joint	3637430	9803434080	-
4	-	04888	Axial joint	1611242380	-	-	10	-	08331	STABILIZER LINK	9815227080	-	-
5	-	07782	Control arm complete-L	9822761280	-	-	11	-	01005	STABILIZER LINK	1607326080	517846	-
6	-	07783	Control arm complete-R	9822761180	-	-							





Ref	Old code	CODE	Description	OE - Number	OE - Number	FEATURES	Ref	Old code	CODE	Description	OE - Number	OE - Number	FEATURES
1	-	02358	Stabilizer link	1610930280	508764	M10x1,5-334 mm	6	-	08463	CONTROL ARM RH (LOWER) (COMPLETE)	9846329280	9846329280S1	-
2	-	04886	Tie rod end-L	1610817780	-	-	7	-	03704	BUSHING	3637432	9676032180	-
3	-	04887	Tie rod end-R	1610817880	-	-	8	-	05976	BUSHING	3644790	9816380380	-
4	-	08461	Axial joint	1675957480	-	-	9	-	08464	BALL JOINT (LOWER)	9831088280	-	-
5	-	08462	CONTROL ARM LH (LOWER) (COMPLETE)	9846329780	9846329780S1	-	10	-	07769	BUSHING	3637375	9803481180	-