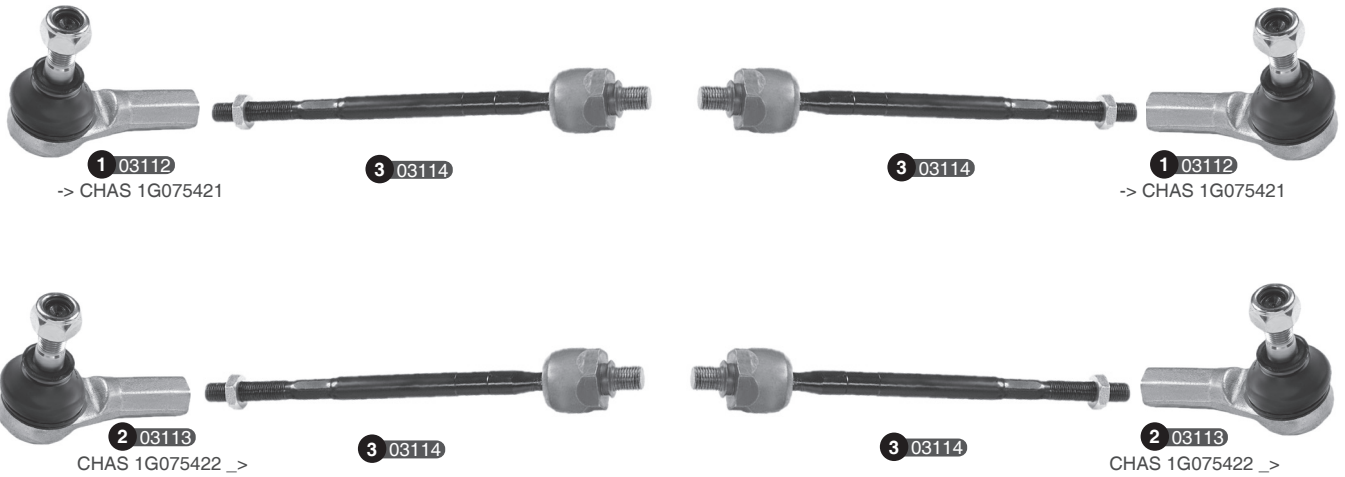




OPERET



Ref	Old code	CODE	Description	OE - Number	OE - Number	FEATURES	Ref	Old code	CODE	Description	OE - Number	OE - Number	FEATURES
1	-	04698	Stabilizer link	13391512	350233	-	6	OP134-R	00887	Control arm complete-R	13426553	55703231	338 mm
2	FI093-L	00299	Tie rod end-L	1603544	93189023	M10x1,5-Female-M14x1,5-112,5 mm	7	OP133-L	00884	Control arm w/o ball joint-L	13426552 Part of 1		-
3	FI093-R	00300	Tie rod end-R	1603545	93189024	M10x1,5-Female-M14x1,5-112,5 mm	8	OP133-R	00885	Control arm w/o ball joint-R	13426553 Part of 1		-
4	FI094	00301	Axial joint	1603456	95514914	M14x1,5-M14x1,5-295 mm	9	FI090	00297	Ball joint	352067	93190907	16
5	OP134-L	00886	Control arm complete-L	13426552	55703230	338 mm	10	OP132	00883	Bushing	13167940	95217519	Big
							11	-	04699	Bushing	13251590	402538	-
							12	FI088	00295	Bushing	13260666		Small



Ref	Old code	CODE	Description	OE - Number	OE - Number	FEATURES	Ref	Old code	CODE	Description	OE - Number	OE - Number	FEATURES
1	-	03112	Tie rod end	4701744	9210168	-	3	-	03114	Axial joint	4701745	9204752	M12x1,25- M14x1,5-243 mm
2	-	03113	Tie rod end	4705716	9210351	-							

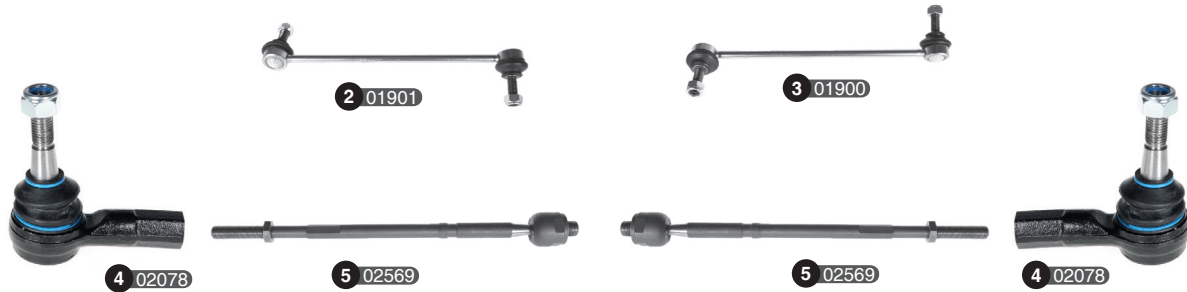


Ref	Old code	CODE	Description	OE - Number	OE - Number	FEATURES	Ref	Old code	CODE	Description	OE - Number	OE - Number	FEATURES
1	-	01517	Stabilizer link	4242062J00	93195093	M10x1,25-300 mm	7	-	04647	Control arm w/o ball joint-R	4520272K00 Part of 2		-
2	-	03188	Tie rod end	4709195	93194035	-	8	-	04648	Ball joint	4520172K00 Part of 3		-
3	-	04651	Axial joint	4709161	93194002	-	9	-	04649	Bushing	4553062J00 Part of 4	93193134	Small
4	-	04644	Control arm complete-L	4520272K00	93193131	-	10	-	04650	Bushing	4520172K00 Part of 5		Big
5	-	04645	Control arm complete-R	4520172K00	93193130	-	11	-	04652	Bushing	4622151K10	93193095	-
6	-	04646	Control arm w/o ball joint-L	4520272K00 Part of 1		-							





Ref	Old code	CODE	Description	OE - Number	OE - Number	FEATURES	Ref	Old code	CODE	Description	OE - Number	OE - Number	FEATURES
1	-	02525	Stabilizer link	350617		M12x1,75-305,5 mm	5	-	02825	Control arm complete-R	13272606	352555	20-332,7 mm
2	-	04620	Tie rod end	13286686	1609026	-	6	-	02191	Bushing	13230774	352508	Big
3	-	04653	Axial joint	13286687	1609027	-	7	-	02192	Bushing	352508 Part of 1	352866	Small
4	-	02824	Control arm complete-L	13272605	352554	20-332,7 mm							



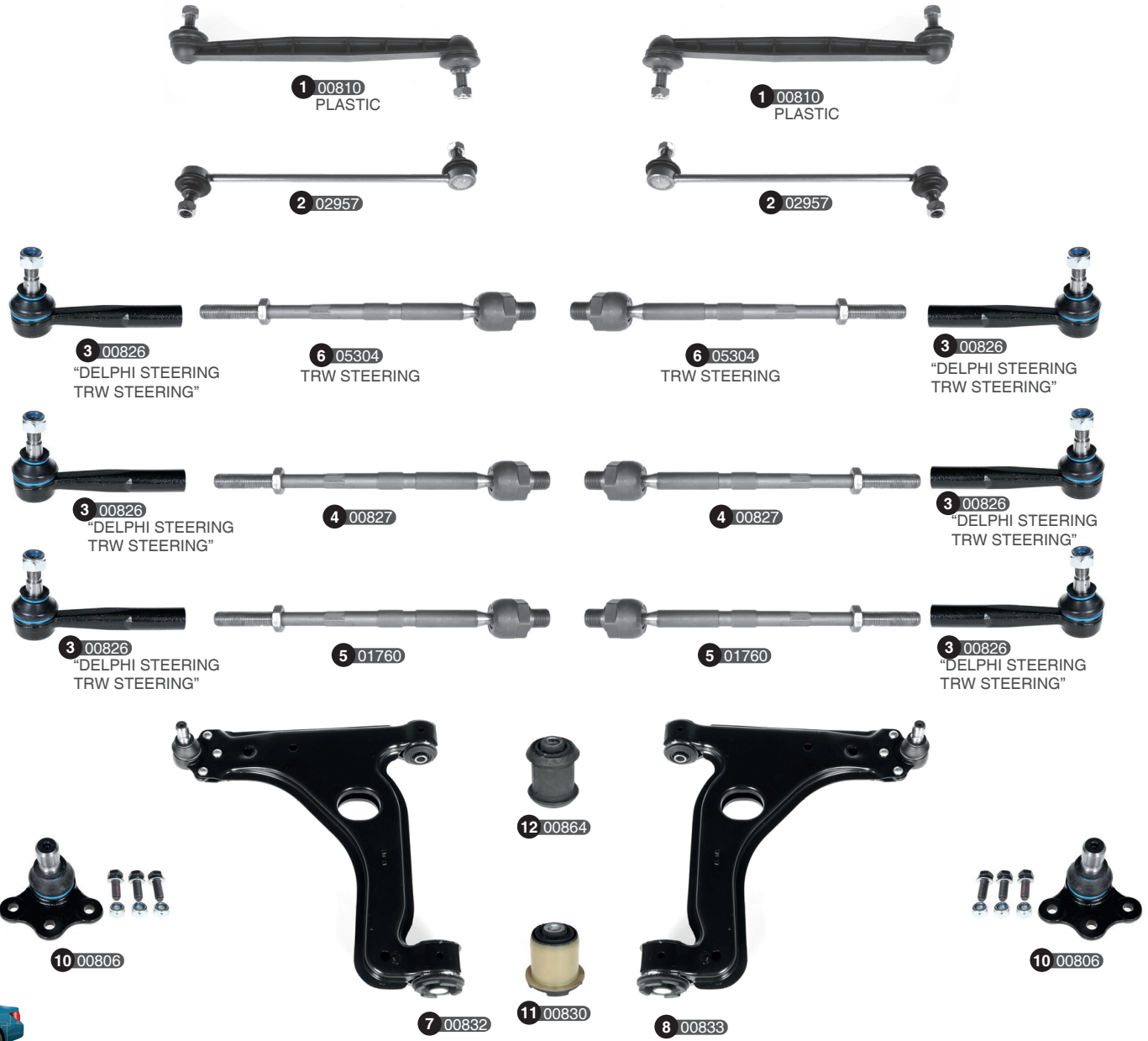
Ref	Old code	CODE	Description	OE – Number	OE – Number	FEATURES	Ref	Old code	CODE	Description	OE – Number	OE – Number	FEATURES
1	-	02683	Stabilizer link	4804642	96626150	M10x1,5-168,5 mm	6	-	05298	Control arm complete-L	25995128	96819161	-
2	-	01901	Stabilizer link-L	350231	96996450	M12x1,75-285 mm	7	-	05299	Control arm complete-R	4802540	96819162	-
3	-	01900	Stabilizer link-R	350232	96996451	M12x1,75-285 mm	8	-	02079	Ball joint	4806300 Part of 3		-
4	-	02078	Tie rod end	4803429	96626667	M12x1,5-Female-M14x1,5-74 mm	9	-	03835	Bushing	20946159	96809676	Big
5	-	02569	Axial joint	4803429		M14x1,5-M16x1,5-363,5 mm	10	-	03836	Bushing	4806300 Part of 4		Small



Ref	Old code	CODE	Description	OE - Number	OE - Number	FEATURES	Ref	Old code	CODE	Description	OE - Number	OE - Number	FEATURES
1	DAW03-L	00200	Tie rod end-L	26001807	96275018	M12x1,25-Male-M14x1,5-65 mm	3	0P020	00800	Ball joint	1603121	1603167	M12x1,5
2	DAW03-R	00201	Tie rod end-R	0324038	96275019	M12x1,25-Male-M14x1,5-65 mm	4	0P111	00864	Bushing	352357	90498738	Small



Ref	Old code	CODE	Description	OE - Number	OE - Number	FEATURES	Ref	Old code	CODE	Description	OE - Number	OE - Number	FEATURES
1	OP022	00803	Stabilizer link	0350263	90495045	M12x1,5-84 mm	8	-	02379	Control arm complete-L	352163	90495159	M12x1,5-344 mm
2	OP023	00804	Stabilizer link	0350261	90278577	83,5 mm	9	-	02380	Control arm complete-R	90473227	90495160	M12x1,5-344 mm
3	OP024	00805	Stabilizer link	0350260	90278579	84 mm	10	-	03625	Control arm w/o ball joint-L	352163 Part of 1		-
4	OP021-L	00801	Tie rod end-L	0324053	4242749	M12x1,25-Female-M16x2-67 mm	11	-	03626	Control arm w/o ball joint-R	90473227 Part of 1		-
5	OP021-R	00802	Tie rod end-R	0324054	90369705w	M12x1,25-Female-M16x2-67 mm	12	OP020	00800	Ball joint	1603121	1603167	M12x1,5
6	-	03115	Axial joint	322147	90373521	-	13	OP101	00862	Bushing	0352300	352346	Small
7	-	03116	Axial joint	322146	90373522	-	14	-	03627	Bushing	90495046		Big



Ref	Old code	CODE	Description	OE - Number	OE - Number	FEATURES	Ref	Old code	CODE	Description	OE - Number	OE - Number	FEATURES
1	OP029	00810	Stabilizer link	350611	90498745	M12x1,5-300 mm	7	OP054-L	00832	Control arm complete-L	5352016	90498735	306 mm
2	-	02957	Stabilizer link	13169439		M12x1,5-300 mm	8	OP054-R	00833	Control arm complete-R	5352017	90498736	306 mm
3	OP048	00826	Tie rod end	1603214	93186537	M12x1,5-Female-M14x1,5-134 mm	9	OP052	00831	Control arm w/o ball joint	5352016 Part of 1		-
4	OP049	00827	Axial joint	1603213	9118128	M14x1,5-M18x1,5-303 mm	10	OP025	00806	Ball joint	352800	90542995	18
5	-	01760	Axial joint	1603213	93191526	M14x1,5-M18x1,5-282 mm	11	OP052	00830	Bushing	5352016 Part of 3		Big
6	-	05304	Axial joint	1603003 Part of		-	12	OP111	00864	Bushing	352357	90498738	Small



Ref	Old code	CODE	Description	OE - Number	OE - Number	FEATURES	Ref	Old code	CODE	Description	OE - Number	OE - Number	FEATURES
1	OP029	00810	Stabilizer link	350611	90498745	M12x1,5-300 mm	8	OP120-L	00871	Control arm complete-L	24454477	5352029	289 mm
2	OP122	00874	Stabilizer link	24461353	350613	M12x1,5-299 mm				Control arm complete-R	24454478	5352030	289 mm
3	-	02957	Stabilizer link	13169439		M12x1,5-300 mm				10	OP025	00806	Ball joint
4	OP125-L	00876	Tie rod end-L	1603258	93196780	M12x1,5-Female-M14x1,5-137,5 mm	11	OP121	00873	Bushing	24439582	352324	Big
5	OP125-R	00877	Tie rod end-R	1603257	93196779	M12x1,5-Female-M14x1,5-137,5 mm	12	OP111	00864	Bushing	352357	90498738	Small
6	-	01760	Axial joint	1603256	93191526	M14x1,5-M18x1,5-282 mm	13	OP119	00870	Control arm w/o ball joint	24454477	Part of 1	-
7	-	01766	Axial joint	1603264	93189668	M14x1,5-M16x1,5-279 mm	14	-	03830	Mounting axle body	402952	5402637	-





1 20179



1 20179



2 02525  
PLASTIC  
ALL EXC. FLEXRIDE CHAS



2 02525  
PLASTIC  
ALL EXC. FLEXRIDE CHAS



3 02443  
FLEXRIDE CHAS



3 02443



4 20215



5 30005

HYDRO. PS



5 30005



6 30043

ELEC. PS



6 30043



1 20215

ELECTRIC POWER STEERING (LHD)



7 04620



8 04653

STANDARD RACK TRAVEL

8 04653



9 04654

REDUCED RACK TRAVEL

9 04654



7 04620

HYDRAULIC POWER STEERING (RHD)



10 04655



11 02006

STANDARD RACK TRAVEL

11 02006



12 02007

REDUCED RACK TRAVEL

12 02007



10 04655



13 02824



15 02192

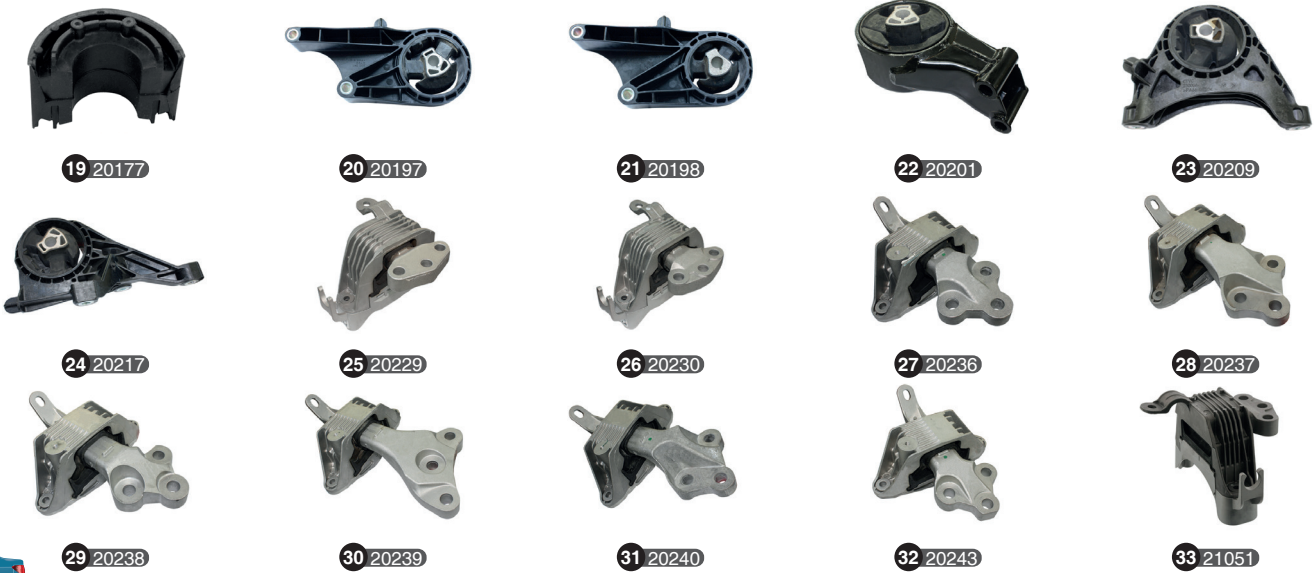


16 02191  
HYDRO SB



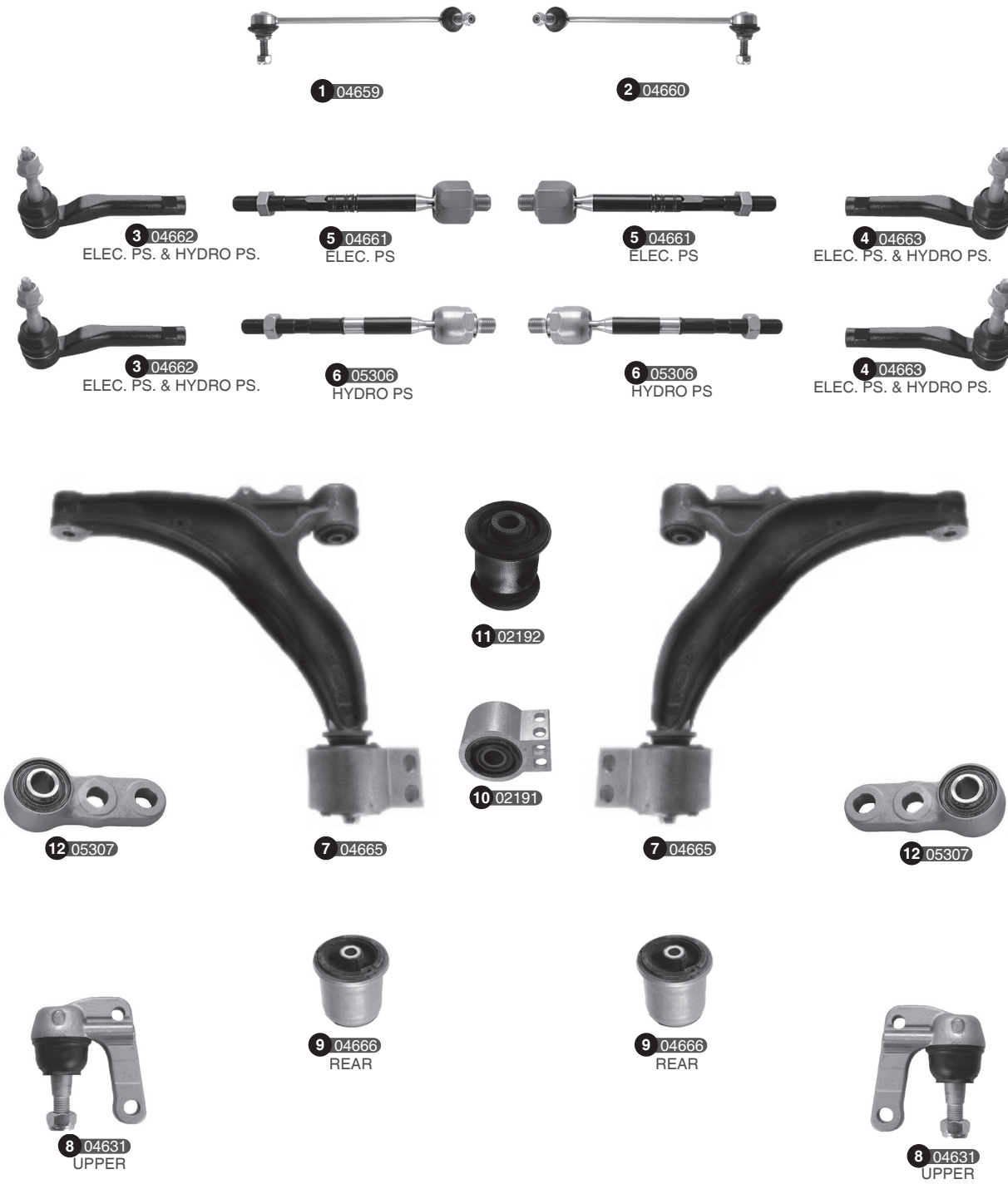
14 02825



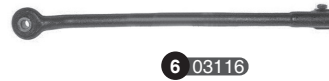


Ref	Old code	CODE	Description	OE - Number	OE - Number	FEATURES	Ref	Old code	CODE	Description	OE - Number	OE - Number	FEATURES
1	-	20179	ANTI ROLL BAR BUSHING	13281782	350621	-	17	-	04666	Bushing	13311920	402052	-
2	-	02525	Stabilizer link	350617	13219141	M12x1,75-305,5 mm	18	-	04666	Bushing	13313230	13354691	-
3	-	02443	Stabilizer link	13258052	350618	M12x1,75-304 mm	19	-	20177	ANTI ROLL BAR BUSHING	13204070	350390	-
4	-	20215	SUSPENSION STRUT SUPPORT BEARING (FRONT)	13501413	13505854	-	20	-	20197	ENGINE MOUNTING	684300	13324496	-
5	-	30005	STEERING WHEEL GATER	902010	13278357	-	21	-	20198	ENGINE MOUNTING	13248600	684216	-
6	-	30043	STEERING WHEEL GATER	13354440	1609028	-	22	-	20201	ENGINE MOUNTING	684224	-	-
7	-	04620	Tie rod end	13286686	1609026	-	23	-	20209	ENGINE MOUNTING	684214	13248575	-
8	-	04653	Axial joint	13286687	1609027	-	24	-	20217	ENGINE MOUNTING	13268880	684218	-
9	-	04654	Axial joint	13314465	1609029	-	25	-	20229	ENGINE MOUNTING	684321	684435	-
10	-	04655	Tie rod end	13278359	920008	-	26	-	20230	ENGINE MOUNTING	13294212	13347449	-
11	-	02006	Axial joint	13278358	920007	M16x1,5- M16x1,5-284 mm	27	-	20236	ENGINE MOUNTING HYDRAULIC	1387953	682066	-
12	-	02007	Axial joint	13314168	920005	M16x1,5- M16x1,5-287 mm	28	-	20237	ENGINE MOUNTING HYDRAULIC	13248550	682076	-
13	-	02824	Control arm complete-L	13272605	352554	20-332,7 mm	29	-	20238	ENGINE MOUNTING HYDRAULIC	682047	13248542	-
14	-	02825	Control arm complete-R	13272606	352555	20-332,7 mm	30	-	20239	ENGINE MOUNTING HYDRAULIC	13248545	682063	-
15	-	02192	Bushing	352866	13219090	Small	31	-	20240	ENGINE MOUNTING HYDRAULIC	682073	13248548	-
16	-	02191	Bushing	13230774	352508	Big	32	-	20243	ENGINE MOUNTING HYDRAULIC	682064	13248546	-
							33	-	21051	ENGINE MOUNTING RIGHT	13248475	684323	-

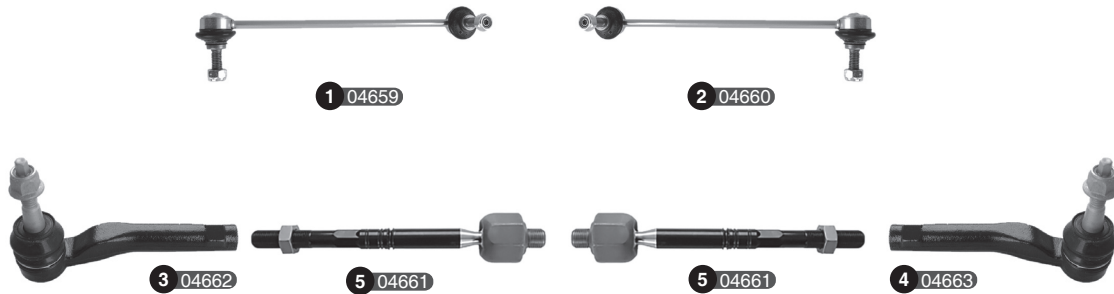




Ref	Old code	CODE	Description	OE - Number	OE - Number	FEATURES	Ref	Old code	CODE	Description	OE - Number	OE - Number	FEATURES
1	-	04659	Stabilizer link-L	13282834	350192	-	7	-	04665	Control arm complete	13371818	352512	-
2	-	04660	Stabilizer link-R	13285628	350193	-	8	-	04631	Ball joint	13258056	324000	-
3	-	04662	Tie rod end-L	13337880	1609185	-	9	-	04666	Bushing	13311920	402052	-
4	-	04663	Tie rod end-R	13337882	1609186	-	10	-	02191	Bushing	13230774	352508	Big
5	-	04661	Axial joint	13354542	1609187	-	11	-	02192	Bushing	13219090	352866	Small
6	-	05306	Axial joint	13337891	1609169	-	12	-	05307	Ball Joint (Lower)	11570339	569922	-



Ref	Old code	CODE	Description	OE - Number	OE - Number	FEATURES	Ref	Old code	CODE	Description	OE - Number	OE - Number	FEATURES
1	OP022	00803	Stabilizer link	0350263	90495045	M12x1,5-84 mm	7	OP003-L	00795	Control arm complete-L	0352193	5352001	344,6 mm
2	OP024	00805	Stabilizer link	0350260	90278579	84 mm	8	OP003-R	00796	Control arm complete-R	0352192	5352000	344,6 mm
3	OP021-L	00801	Tie rod end-L	0324053	4242749	M12x1,25-Female-M16x2-67 mm	9	OP002-L	00793	Control arm w/o ball joint-L	0352193 Part of 1		-
4	OP021-R	00802	Tie rod end-R	0324054	90369705	M12x1,25-Female-M16x2-67 mm	10	OP002-R	00794	Control arm w/o ball joint-R	0352192 Part of 1		-
5	-	03115	Axial Joint	322079	90373521	-	11	OP020	00800	Ball joint	1603121	1603167	M12x1,5
6	-	03116	Axial Joint	322080	90373522	-	12	OP102	00863	Bushing	352347	90373264	Big
							13	OP101	00862	Bushing	352300	352346	Small



Ref	Old code	CODE	Description	OE – Number	OE – Number	FEATURES	Ref	Old code	CODE	Description	OE – Number	OE – Number	FEATURES
1	-	04659	Stabilizer link-L	13282834	350192	-	6	-	04665	Control arm complete	13371818	352512	-
2	-	04660	Stabilizer link-R	13285628	350193	-	7	-	04631	Ball joint	13258056	324000	-
3	-	04662	Tie rod end-L	13337880	1609185	-	8	-	04666	Bushing	13311920	402052	-
4	-	04663	Tie rod end-R	13337882	1609186	-	9	-	02192	Bushing	13219090	352866	Small
5	-	04661	Axial joint	13354542	1609187	-	10	-	02191	Bushing	13230774	352508	Big



**1 00813**  
-> CHAS V3023597,  
V4166925, V6066279

**3 00816**  
MS



**3 00816**  
MS

**1 00813**  
-> CHAS V3023597,  
V4166925, V6066279



**2 00815**  
CHAS V3023598,  
V4166926, V6066280 ->

**4 00818**  
PS



**4 00818**  
PS



**2 00815**  
CHAS V3023598,  
V4166926, V6066280 ->



**5 00852**  
-> CHAS V3023597,  
V4166925, V6066279

**11 00812**

**13 00854**



**6 00853**  
-> CHAS V3023597,  
V4166925, V6066279

**11 00812**



**9 00855**  
CHAS V3023598,  
V4166926, V6066280 ->

**12 00817**

**13 00854**

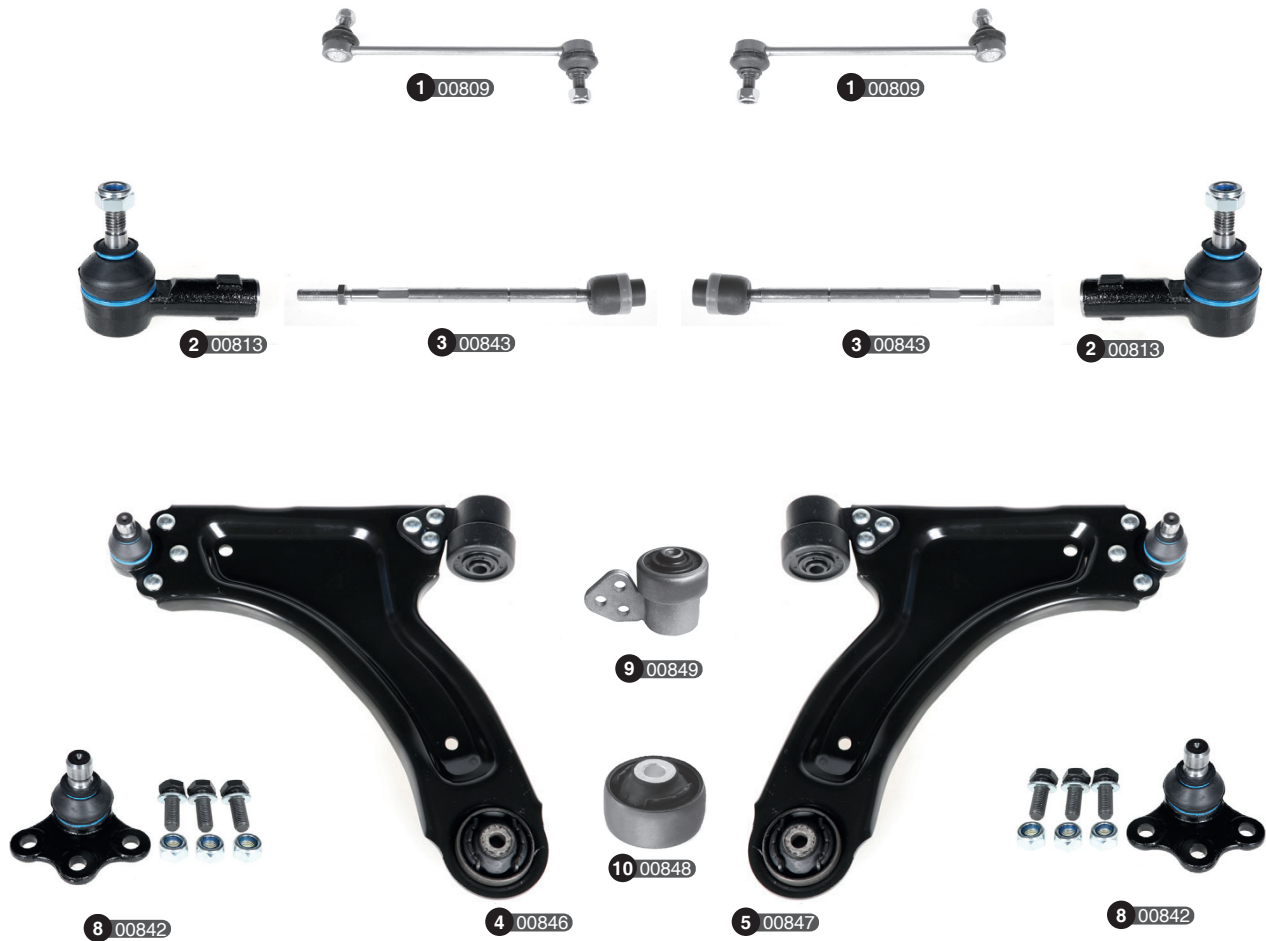


**10 00856**  
CHAS V3023598,  
V4166926, V6066280 ->

**12 00817**



Ref	Old code	CODE	Description	OE - Number	OE - Number	FEATURES	Ref	Old code	CODE	Description	OE - Number	OE - Number	FEATURES
1	OP034	00813	Tie rod end	1603009	93192419	M10x1,5-Female-M12x1,5-70 mm	6	OP078-R	00853	Control arm complete-R	352002	90511261	-
2	OP036	00815	Tie rod end	0324066		M10x1,5-Female-M12x1,5-77 mm	7	OP077-L	02325	Control arm w/o ball joint-L	352003 Part of 1		-
3	OP037	00816	Axial joint	0322155		M12x1,5-M14x1,5-326 mm	8	OP077-R	02326	Control arm w/o ball joint-R	352002 Part of 1		-
4	OP039	00818	Axial joint	26032284	322158	M12x1,5-M14x1,5-282 mm	9	OP082-L	00855	Control arm complete-L	5352011	90542572	-
5	OP078-L	00852	Control arm complete-L	352003	90511260	-	10	OP082-R	00856	Control arm complete-R	5352012	90542573	-
							11	OP033	00812	Ball joint	1603128	90444294	15
							12	OP038	00817	Ball joint	1603202	90539896	15
13	OP079	00854	Bushing	352301	90445097	-							



Ref	Old code	CODE	Description	OE - Number	OE - Number	FEATURES	Ref	Old code	CODE	Description	OE - Number	OE - Number	FEATURES
1	OP028	00809	Stabilizer link	350610	90496116	M12x1,5-243 mm	6	OP069-L	00844	Control arm w/o ball joint-L	13140037	Part of 1	-
2	OP034	00813	Tie rod end	1603009	93192419	M10x1,5-Female-M12x1,5-70 mm	7	OP069-R	00845	Control arm w/o ball joint-R	13140038	Part of 1	-
3	OP067	00843	Axial joint	1603008	93192421	M12x1,5-M14x1,5-305,5 mm	8	OP066	00842	Ball joint	352803	9196394	16
4	OP070-L	00846	Control arm complete-L	13140037	352061	310 mm	9	OP072	00849	Bushing	352309	Part of	Small
5	OP070-R	00847	Control arm complete-R	13140038	352063	310 mm	10	OP071	00848	Bushing	13138151	352310	Big

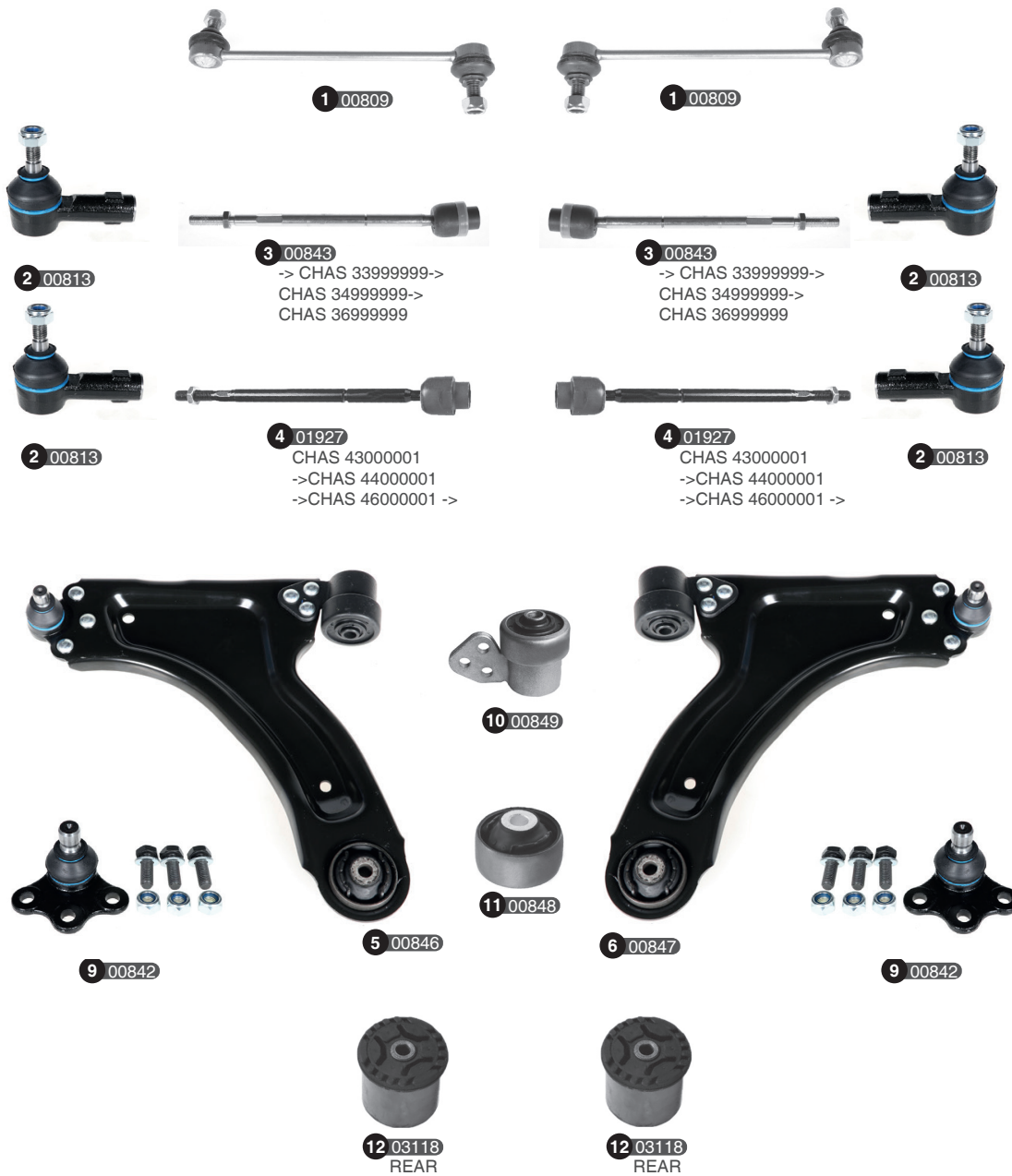




Ref	Old code	CODE	Description	OE - Number	OE - Number	FEATURES	Ref	Old code	CODE	Description	OE - Number	OE - Number	FEATURES
1	-	02487	Stabilizer link	350198	95515339	M10x1,25-297 mm	6	-	02485	Control arm complete-L	352538	95514537	359 mm
2	-	04667	Stabilizer link	444103 Part of 6		Rear	7	-	02486	Control arm complete-R	352537	95514536	359 mm
3	-	02490	Tie rod end-L	1609193	95512977	M10x1,25-Male-M14x1,5-112 mm	8	-	02515	Control arm w/o ball joint-L	352538 Part of 1		-
4	-	02491	Tie rod end-R	1609192	95512976	M10x1,25-Male-M14x1,5-112 mm	9	-	03588	Control arm w/o ball joint-R	352537 Part of 1		-
5	-	02499	Axial joint	26144989 Part of 1		M14x1,5-M18x1,5-298 mm	10	-	02500	Ball joint	352537 Part of 3		18
							11	F1088	00295	Bushing	13260666		Small
							12	-	02512	Bushing	352537 Part of 5		Big

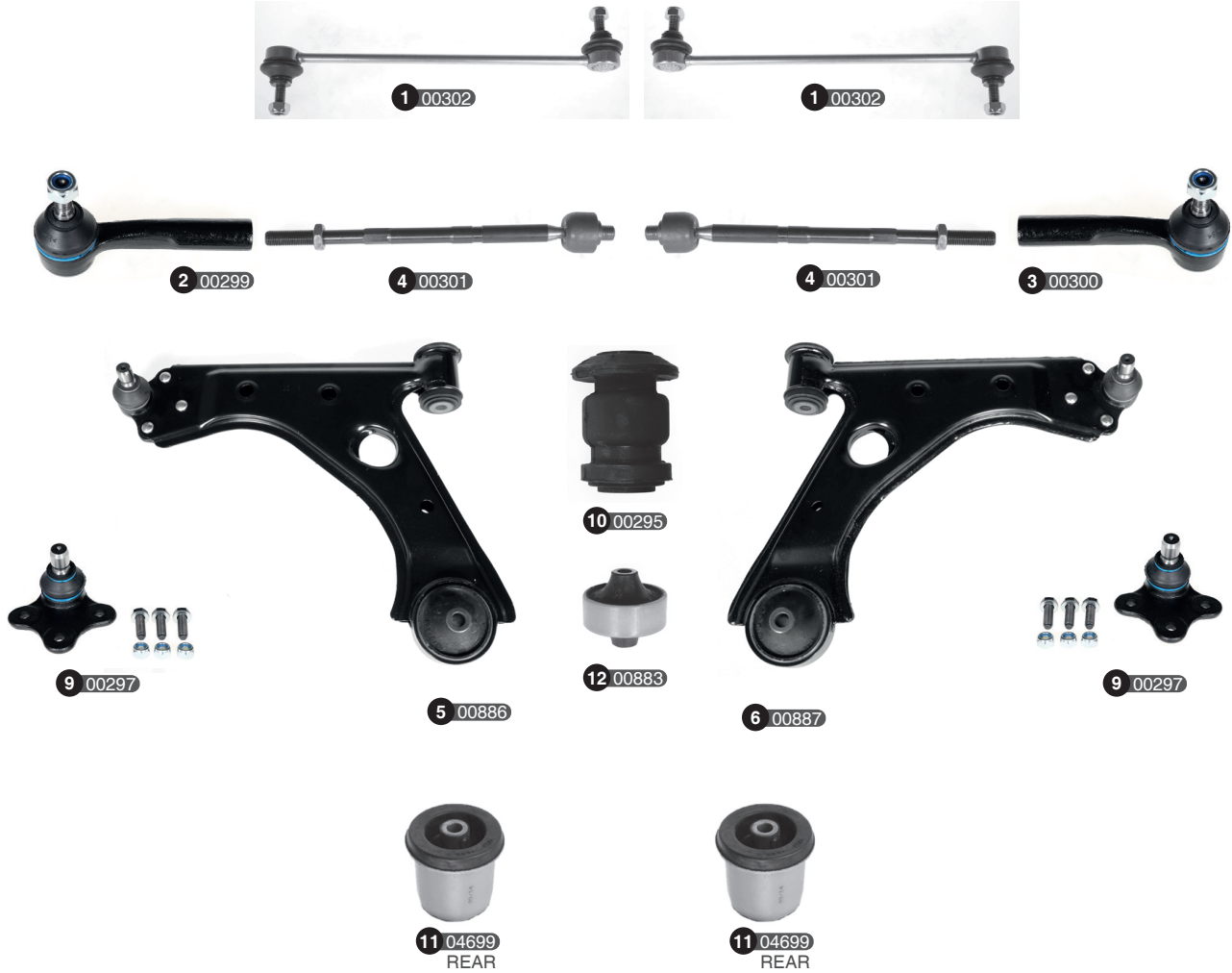


Ref	Old code	CODE	Description	OE - Number	OE - Number	FEATURES	Ref	Old code	CODE	Description	OE - Number	OE - Number	FEATURES
1	OP034	00813	Tie rod end	1603009	93192419	M10x1,5-Female-M12x1,5-70 mm	5	OP081-L	02317	Control arm w/o ball joint-L	352043	Part of 1	-
2	OP035	00814	Axial joint	322078	322149	M12x1,5-M14x1,5-300 mm	6	OP081-R	02318	Control arm w/o ball joint-R	352044	Part of 1	-
3	OP075-L	00850	Control arm complete-L	352043	90166390	-	7	OP033	00812	Ball joint	90444294		15
4	OP075-R	00851	Control arm complete-R	352044	90166391	-	8	OP091	00861	Bushing	0352327	90170152	-

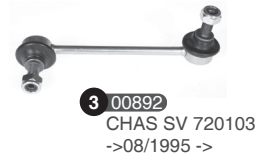


Ref	Old code	CODE	Description	OE - Number	OE - Number	FEATURES	Ref	Old code	CODE	Description	OE - Number	OE - Number	FEATURES
1	OP028	00809	Stabilizer link	350610	90496116	M12x1,5-243 mm	6	OP070-R	00847	Control arm complete-R	13140038	352063	310 mm
2	OP034	00813	Tie rod end	1603009	93192419	M10x1,5-Female-M12x1,5-70 mm	7	OP069-L	00844	Control arm w/o ball joint-L	13140037	Part of 1	-
3	OP067	00843	Axial joint	1603008	93192421	M12x1,5-M14x1,5-305,5 mm	8	OP069-R	00845	Control arm w/o ball joint-R	13140038	Part of 1	-
4	-	01927	Axial joint	1603017	93192420	M12x1,5-M14x1,5-318 mm	9	OP066	00842	Ball joint	352803	9196394	16
5	OP070-L	00846	Control arm complete-L	13140037	352061	310 mm	10	OP072	00849	Bushing	352309	Part of	Small
							11	OP071	00848	Bushing	13138151	352310	Big
							12	-	03118	Bushing	24443815	5402636	-

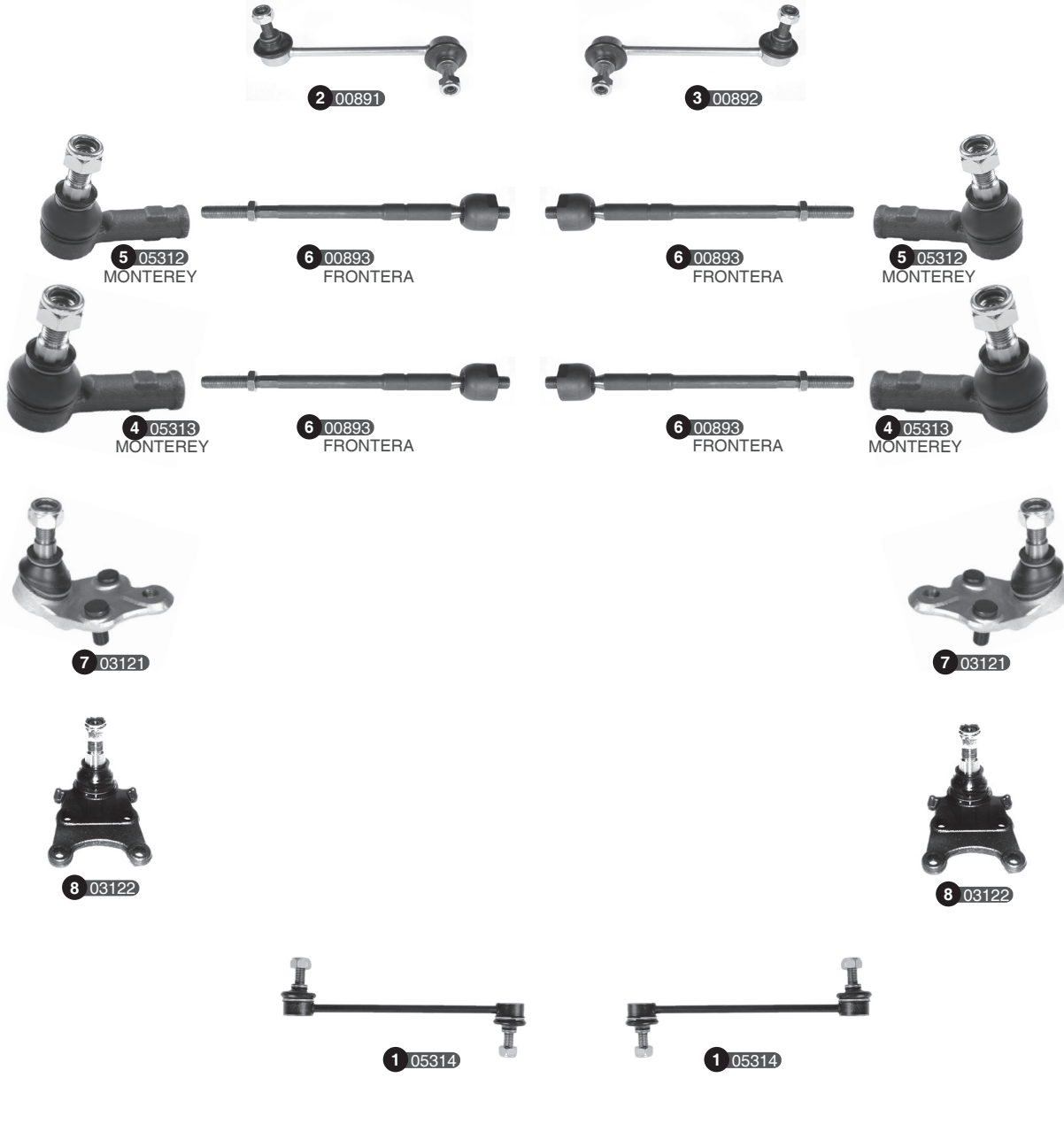




Ref	Old code	CODE	Description	OE - Number	OE - Number	FEATURES	Ref	Old code	CODE	Description	OE - Number	OE - Number	FEATURES
1	FI095	00302	Stabilizer link	13321280	55700753	M10x1,5-301 mm	5	OP134-L	00886	Control arm complete-L	13426552	55703230	338 mm
2	FI093-L	00299	Tie rod end-L	1603544	93189023	M10x1,5-Female-M14x1,5-112,5 mm	6	OP134-R	00887	Control arm complete-R	13426553	55703231	338 mm
3	FI093-R	00300	Tie rod end-R	1603545	93189024	M10x1,5-Female-M14x1,5-112,5 mm	7	OP133-L	00884	Control arm w/o ball joint-L	13426552	Part of 1	-
4	FI094	00301	Axial joint	1603456	95514914	M14x1,5-M14x1,5-295 mm	8	OP133-R	00885	Control arm w/o ball joint-R	13426553	Part of 1	-
							9	FI090	00297	Ball joint	352067	93190907	16
							10	FI088	00295	Bushing	13260666		Small
							11	-	04699	Bushing	13251590	402538	-
							12	OP132	00883	Bushing	13167940	95217519	Big



Ref	Old code	CODE	Description	OE - Number	OE - Number	FEATURES	Ref	Old code	CODE	Description	OE - Number	OE - Number	FEATURES
1	-	05314	Stabilizer link	444065	97018125	-	5	-	05312	Tie rod end	444065	97020954	-
2	OP148-L	00891	Stabilizer link-L	350607	97018228	M10x1,25-149 mm	6	-	02388	Ball joint	310821	94459453	-
3	OP148-R	00892	Stabilizer link-R	350608	97018227	M10x1,25-149 mm	7	-	03121	Ball joint	8943744240	94374424	-
4	-	05313	Tie rod end	324057	97020953	-	8	-	03122	Ball joint	352828	94459465	-



Ref	Old code	CODE	Description	OE - Number	OE - Number	FEATURES	Ref	Old code	CODE	Description	OE - Number	OE - Number	FEATURES
1	-	05314	Stabilizer link	444065	97018125	Rear	5	-	05312	Tie rod end	444065	97020954	-
2	OP148-L	00891	Stabilizer link-L	350607	97018228	M10x1,25-149 mm	6	-	00893	Axial joint	900905	97184819	-
3	OP148-R	00892	Stabilizer link-R	350608	97018227	M10x1,25-149 mm	7	-	03121	Ball joint	8943744240	94374424	-
4	-	05313	Tie rod end	324057	97020953	-	8	-	03122	Ball joint	352828	94459465	-



INSIGNIA (07/2008-->)  
INSIGNIA SALOON (07/2008-->)  
INSIGNIA SPORTS TOURER (07/2008-->)



**1 02525**  
ALL EXC. FLEXRIDE  
CHASSIS - PLASTIC



**1 02525**  
ALL EXC. FLEXRIDE  
CHASSIS - PLASTIC



**4 04619**  
HIPERSTRUT  
SUSPENSION + OPC



**4 04619**  
HIPERSTRUT  
SUSPENSION + OPC



**5 02443**  
FLEXRIDE CHASSIS



**5 02443**  
FLEXRIDE CHASSIS



**6 02680**  
HYDRAULIC PS 4WD



**10 02681**  
HYDRAULIC PS



**10 02681**  
HYDRAULIC PS



**6 02680**  
HYDRAULIC PS 4WD



**7 04620**  
ELECTRIC PS



**11 04621**  
ELECTRIC PS (STANDARD  
RACK TRAVEL)



**11 04621**  
ELECTRIC PS (STANDARD  
RACK TRAVEL)



**7 04620**  
ELECTRIC PS



**7 04620**  
ELECTRIC PS



**12 04622**  
ELECTRIC PS (REDUCED  
RACK TRAVEL)



**12 04622**  
ELECTRIC PS (REDUCED  
RACK TRAVEL)



**7 04620**  
ELECTRIC PS



**8 04623**  
HIPERSTRUT  
SUSPENSION + OPC



**13 04625**  
HIPERSTRUT SUSPENSION  
+ OPC



**13 04625**  
HIPERSTRUT SUSPENSION  
+ OPC



**9 04624**  
HIPERSTRUT  
SUSPENSION + OPC



**2 02682**  
4WD - REAR



**2 02682**  
4WD - REAR



**3 03330**  
EXC. 4WD - REAR



**3 03330**  
EXC. 4WD - REAR





INSIGNIA (07/2008-->)  
INSIGNIA SALOON (07/2008-->)  
INSIGNIA SPORTS TOURER (07/2008-->)



**14 03327**

STANDARD  
SUSPENSION -> CHAS B  
1999999



**22 02192**



**27 03329**



**15 03328**

STANDARD SUSPENSION ->  
CHAS B 1999999



**21 04631**



**29 05307**

HiPERSTRUT  
SUSPENSION + OPC



**23 04634**

EXC. 4WD



**24 04635**

EXC. 4WD



**29 05307**

HiPERSTRUT  
SUSPENSION + OPC



**21 04631**



**16 04633**

EXC. 4WD



**26 04638**

-> CHAS D 1999999



**17 04636**

**25 04637**

-> CHAS D 1999999  
CHAS E 1000001 ->



**18 04641**



**26 04638**

-> CHAS D 1999999



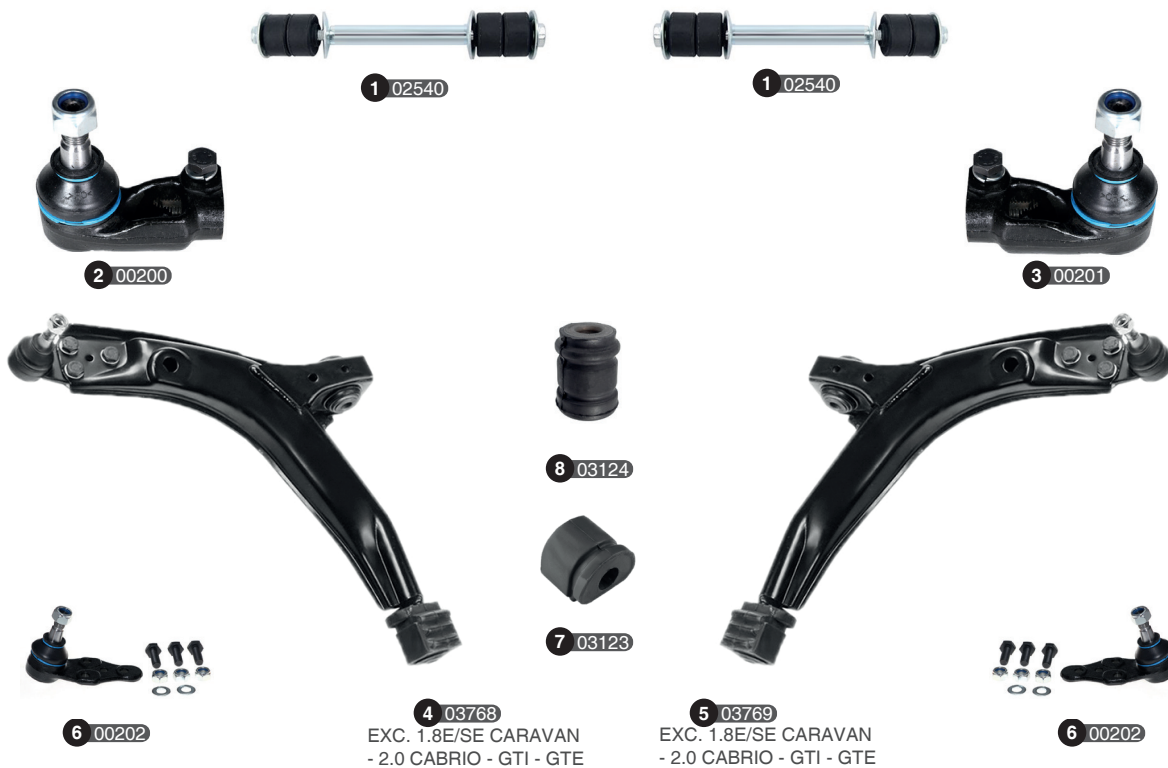


Ref	Old code	CODE	Description	OE - Number	OE - Number	FEATURES	Ref	Old code	CODE	Description	OE - Number	OE - Number	FEATURES	
1	-	02525	Stabilizer link	350617		M12x1,75-305,5 mm	17	-	04636	Track rod-L	13219162	423073	Rear	
2	-	02682	Stabilizer link	13281793	444115	M10x1,5-227,7 mm	18	-	04641	Track rod-R	13219163	423071	Rear	
3	-	03330	Stabilizer link	13281792	444081	M10x1,5-71,5 mm	19	-	05214	Track rod w/o bushing	13219162	Part of	-	
4	-	04619	Stabilizer link	13282833	350049	-	20	-	05215	Track rod w/o bushing	13219163	Part of	-	
5	-	02443	Stabilizer link	13258052	350618	M12x1,75-304 mm	21	-	04631	Ball joint	13258056	324000	-	
6	-	02680	Tie rod end	13272000	6606031	-	22	-	02192	Bushing	352508	Part of 1	352866	Small
7	-	04620	Tie rod end	13286686	1609026	-	23	-	04634	Bushing	13204112	Part of 1		12.1
8	-	04623	Tie rod end-L	13272001	920003	-	24	-	04635	Bushing	51755681	Part of 2		14.1
9	-	04624	Tie rod end-R	13272002	920004	-	25	-	04637	Bushing	13219170		423551	-
10	-	02681	Axial joint	13271996	6606030	M18x1,5- M16x1,5-309 mm	26	-	04638	Bushing	423072		423552	-
11	-	04621	Axial joint	13332651	1609181	-	27	-	03329	Bushing	13257785		352873	Big
12	-	04622	Axial joint	13332653	1609183	-	28	-	05001	Bushing	13281790		444091	-
13	-	04625	Axial joint	13271998	920002	-	29	-	05307	Repair kit	11570339		569922	-
14	-	03327	Control arm complete-L	13273604	352869	298 mm	30	-	04639	Track rod-L	22940356		-	Rear
15	-	03328	Control arm complete-R	13273604	352870	348,5 mm	31	-	04642	Track rod-R	22940357		-	Rear
16	-	04633	Track rod	13218171	423046	-	32	-	04640	Bushing	22940356	Part Of	-	-



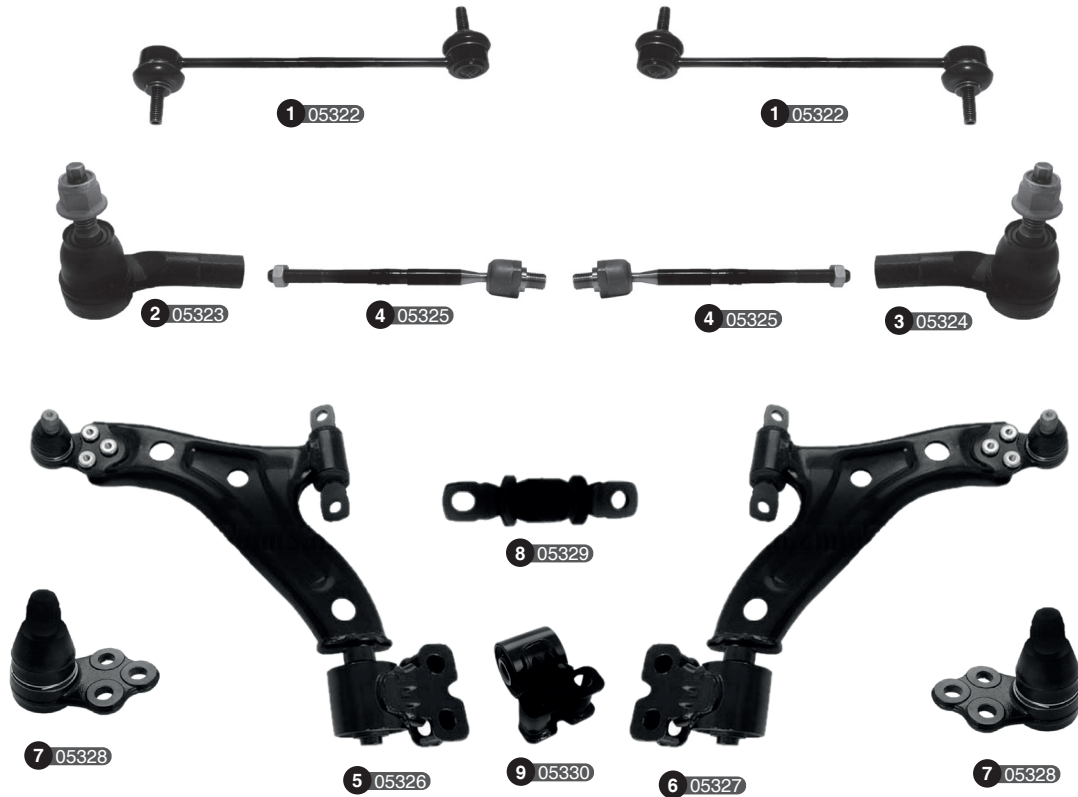


Ref	Old code	CODE	Description	OE - Number	OE - Number	FEATURES	Ref	Old code	CODE	Description	OE - Number	OE - Number	FEATURES
1	-	02540	Stabilizer link	1603148	96129839	M8X1.25-197 mm	8	-	03124	Bushing	352330	-	Small
2	DAW03-L	00200	Tie rod end-L	26001807	96275018	M12x1.25-Male-M14x1,5-65 mm	9	-	20000	ENGINE MOUNTING	684257	90216584	-
3	DAW03-R	00201	Tie rod end-R	0324038	96275019	M12x1.25-Male-M14x1,5-65 mm	10	-	20043	SUSPENSION STRUT SUPPORT BEARING	344509	90184756	-
4	-	03768	Control arm complete-L	96185969	96445373	326,8 mm	11	-	20044	SUSPENSION STRUT SUPPORT BEARING	344508	90184755	-
5	-	03769	Control arm complete-R	96185970	96445374	326,8 mm	12	-	20049	RUBBER BUFFER SUSPENSION	436943	90250288	-
6	DAW04	00202	Ball joint	90272683	94788122	-	13	-	20468	SUSPENSION MOUNTING FRONT	344402	-	-
7	-	03123	Bushing	352335	90334546	Big							

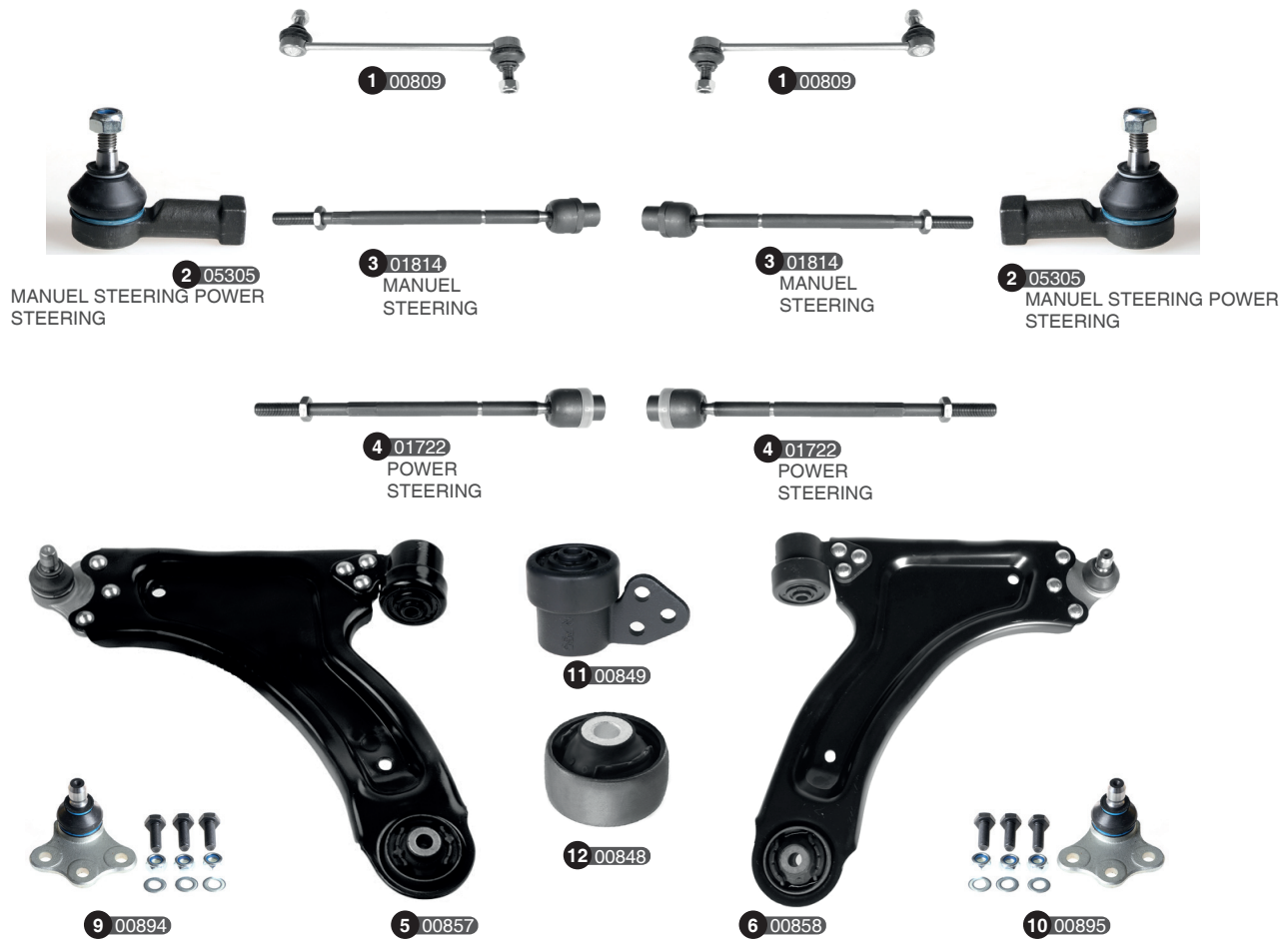


Ref	Old code	CODE	Description	OE - Number	OE - Number	FEATURES	Ref	Old code	CODE	Description	OE - Number	OE - Number	FEATURES
1	-	02540	Stabilizer link	1603148	96129839	M8X1.25-197 mm	5	-	03769	Control arm complete-R	96185970	96445374	326,8 mm
2	DAW03-L	00200	Tie rod end-L	26001807	96275018	M12x1,25-Male-M14x1,5-65 mm	6	DAW04	00202	Ball joint	90272683	94788122	-
3	DAW03-R	00201	Tie rod end-R	0324038	96275019	M12x1,25-Male-M14x1,5-65 mm	7	-	03123	Bushing	352335	90334546	Big
4	-	03768	Control arm complete-L	96185969	96445373	326,8 mm	8	-	03124	Bushing	352330	-	Small

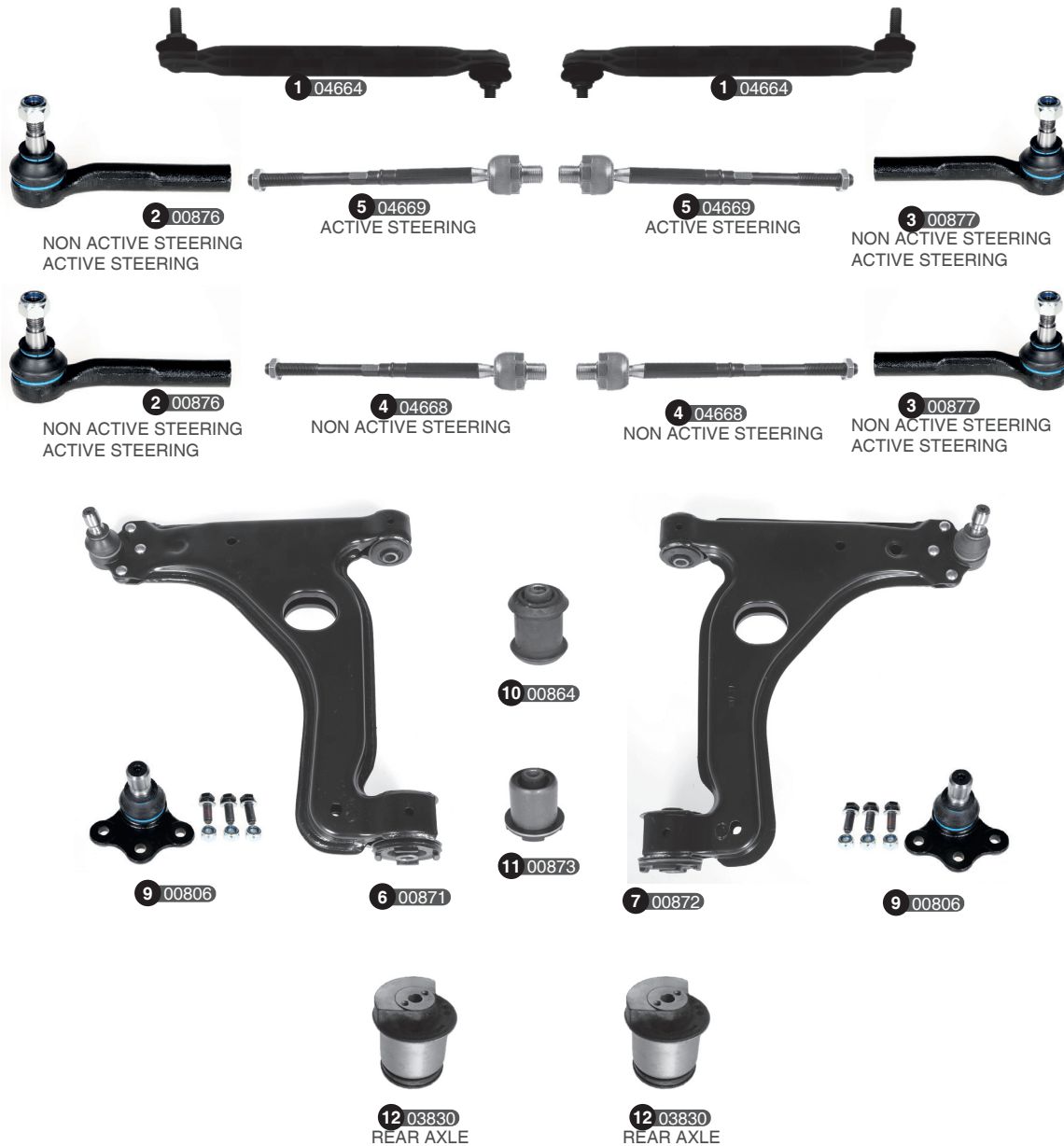




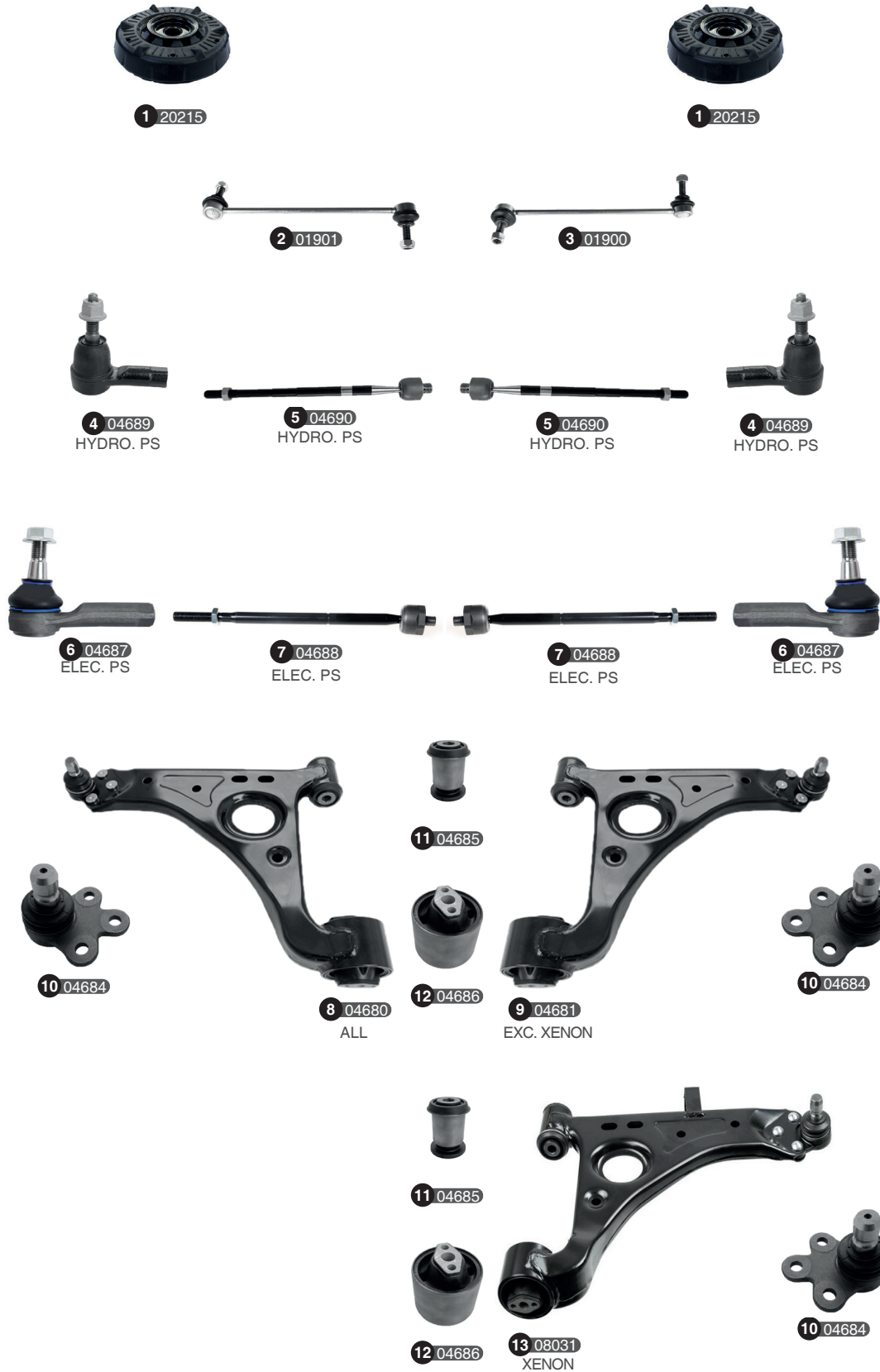
Ref	Old code	CODE	Description	OE - Number	OE - Number	FEATURES	Ref	Old code	CODE	Description	OE - Number	OE - Number	FEATURES
1	-	05322	Stabilizer link	350239	95167261	-	6	-	05327	Control arm complete-R	352557	95368368	-
2	-	05323	Tie rod end-L	920013	95371538	-	7	-	05328	Ball joint	352556 Part of		-
3	-	05324	Tie rod end-R	920014	95371539	-	8	-	05329	Bushing	10001388		Small
4	-	05325	Axial joint	1609224 Part of		-	9	-	05330	Bushing	352556 Part of 2		Big
5	-	05326	Control arm complete-L	352556	95368367	-							



Ref	Old code	CODE	Description	OE - Number	OE - Number	FEATURES	Ref	Old code	CODE	Description	OE - Number	OE - Number	FEATURES
1	OP028	00809	Stabilizer link	350610	90496116	M12x1,5-243 mm	6	OP083-R	00858	Control arm complete-R	5352028	93338569	319,5 mm
2	-	05305	Tie rod end	1603240	26102923	-	7	OP069-L	00844	Control arm w/o ball joint-L	13140037 Part of 1		-
3	-	01814	Axial joint	1603239	93192415	M14x1,5- M14x1,5-332 mm	8	OP069-R	00845	Control arm w/o ball joint-R	13140038 Part of 1		-
4	-	01722	Axial joint	1603016	93192416	M14x1,5- M14x1,5-332 mm	9	OP161-L	00894	Ball joint-L	352085	93190905	16
5	OP083-L	00857	Control arm complete-L	5352027	93338568	319,5 mm	10	OP161-R	00895	Ball joint-R	352086	93190906	16
							11	OP072	00849	Bushing	352309 Part of		Small
							12	OP071	00848	Bushing	13138151	352310	Big



Ref	Old code	CODE	Description	OE - Number	OE - Number	FEATURES	Ref	Old code	CODE	Description	OE - Number	OE - Number	FEATURES
1	-	04664	Stabilizer link	13327928	350176	-	6	OP120-L	00871	Control arm complete-L	24454477	5352029	289 mm
2	OP125-L	00876	Tie rod end-L	1603258	93196780	M12x1,5-Female-M14x1,5-137,5 mm	7	OP120-R	00872	Control arm complete-R	24454478	5352030	289 mm
3	OP125-R	00877	Tie rod end-R	1603257	93196779	M12x1,5-Female-M14x1,5-137,5 mm	8	OP119	00870	Control arm w/o ball joint	24454477 Part of 1		-
4	-	04668	Axial joint	1609000	93196777	-	9	OP025	00806	Ball joint	352800	90542995	18
5	-	04669	Axial joint	1609011	93196778	-	10	OP111	00864	Bushing	352357	90498738	Small
							11	OP121	00873	Bushing	24439582	352324	Big
							12	-	03830	Mounting axle body	402952	5402637	-





14 20969



14 20969



Ref	Old code	CODE	Description	OE - Number	OE - Number	FEATURES	Ref	Old code	CODE	Description	OE - Number	OE - Number	FEATURES
1	-	20215	SUSPENSION STRUT SUPPORT BEARING (FRONT)	13505131	13501413	-	8	-	04680	Control arm complete-L	352524	95025706	-
2	-	01901	Stabilizer link-L	4806304	96996450	M12x1,75-285 mm	9	-	04681	Control arm complete-R	352523	95025705	-
3	-	01900	Stabilizer link-R	350232	96996451	M12x1,75-285 mm	10	-	04684	Ball joint	352532	95916024	-
4	-	04689	Tie rod end	1609206	95932790	-	11	-	04685	Bushing	352522 Part of 2		Small
5	-	04690	Axial joint	1609205	96932789	-	12	-	04686	Bushing	352522 Part of 3		Big
6	-	04687	Tie rod end	1609203	95915222	-	13	-	08031	CONTROL ARM RH (LOWER) (COMPLETE)	352522	352553	-
7	-	04688	Axial joint	1609213	95952929	-	14	-	20969	SHOCK ABSORBER MOUNT	13252362	-	-



Ref	Old code	CODE	Description	OE – Number	OE – Number	FEATURES	Ref	Old code	CODE	Description	OE – Number	OE – Number	FEATURES
1	RN305-L	01215	Stabilizer link-L	4418192	93192673	M10x1,5-127 mm	9	-	03897	Control arm complete-R	4418630	93194855	-
2	RN305-R	01216	Stabilizer link-R	4418193	93192674	M10x1,5-127 mm	10	-	02709	Control arm w/o ball joint-L	4401852 Part of 1		-
3	RN304-L	01213	Tie rod end-L	4501262	9161562	M12x1,5-Female-M16x1,5-221,5 mm	11	-	02710	Control arm w/o ball joint-R	4401941 Part of 1		-
4	RN304-R	01214	Tie rod end-R	4501263	9161563	M12x1,5-Female-M16x1,5-221,5 mm	12	RN301	01210	Ball joint	4016000QAC Part of 3	9160555	22
5	RN303	01212	Axial joint	4501261	93196241	M16x1,5-M14x1,5-174,5 mm	13	RN302	01211	Ball joint	4500254	9150554	M14x1,5
6	RN310-L	01220	Control arm complete-L	4401852	9160392	381 mm	14	RN309	01219	Ball joint	4401910	9160390	15
7	RN310-R	01221	Control arm complete-R	4401941	9160393	381 mm	15	RN300	01209	Ball joint	4016000Q0B	93194857	24
8	-	03896	Control arm complete-L	4418629	93194853	-	16	RN306	01217	Bushing	4500094	9160394	Small
							17	RN308	01218	Bushing	4500095	9160395	Big
							18	RN307	02282	Bushing	4500091	9160391	-





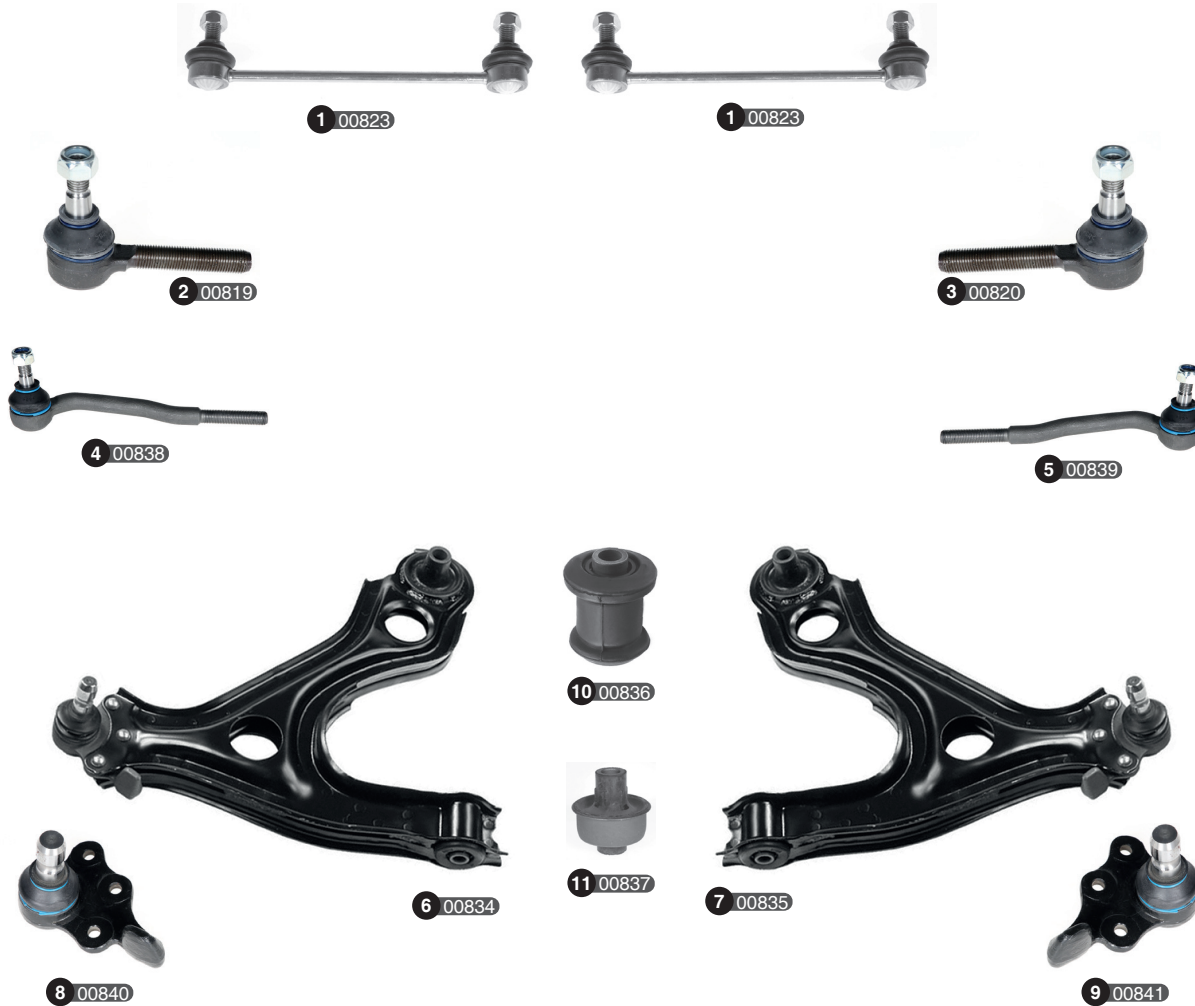


Ref	Old code	CODE	Description	OE - Number	OE - Number	FEATURES	Ref	Old code	CODE	Description	OE - Number	OE - Number	FEATURES
1	-	02776	Stabilizer link	4419291	93197325	M10x1,5-330 mm	6	-	02820	Axial joint	4420096	93167687	M18x1,5- M16x1,5-252 mm
2	-	02821	Stabilizer link	4419304	93197332	M10x1,5-106 mm	7	-	02133	Control arm complete-L	4419215	93197214	389,2 mm
3	-	04700	Stabilizer link	4420954	93168675	-	8	-	02134	Control arm complete-R	4419216	93197215	389,2 mm
4	-	02818	Tie rod end-L	4420097	93167688	M14x1,5- Female- M18x1,5-235 mm	9	-	02775	Ball joint-L	4016000QOE	93197233	M16x1,5
5	-	02819	Tie rod end-R	4420098	93167689	M14x1,5- Female- M18x1,5-235 mm	10	-	03493	Ball joint-R	4016000QOF	95519325	M16x1,5
							11	-	02135	Bushing	4419215 Part of 1		Big
							12	-	02136	Bushing	4419215 Part of 2		Small

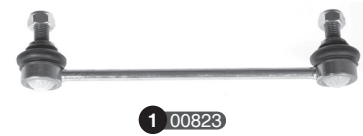
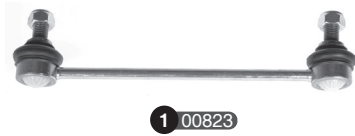




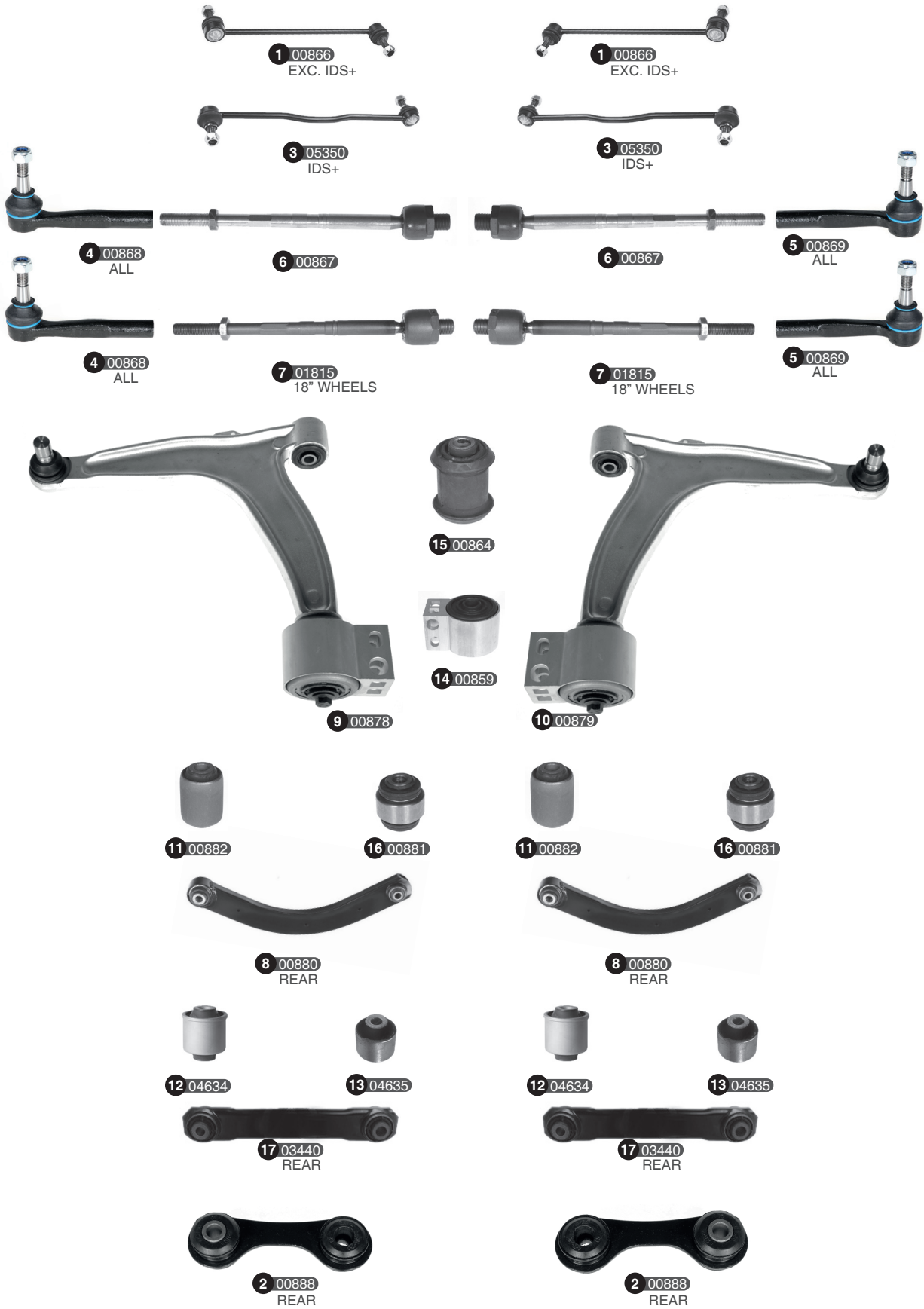
OMEGA A (16\_,17\_,19\_) (09/1986-05/1994)  
OMEGA A ESTATE (66\_,67\_) (09/1986-05/1994)



Ref	Old code	CODE	Description	OE - Number	OE - Number	FEATURES	Ref	Old code	CODE	Description	OE - Number	OE - Number	FEATURES
1	OP044	00823	Stabilizer link	0350600	90468930	M12x1,5-225 mm	7	OP059-R	00835	Control arm complete-R	0352136	90288388	-
2	OP042-L	00819	Tie rod end-L	322151	90510651	-	8	OP065-L	00840	Ball joint-L	0352826	90272194	18 Ø
3	OP042-R	00820	Tie rod end-R	322154	90510652	-	9	OP065-R	00841	Ball joint-R	0352827	90272195	18 Ø
4	OP064-L	00838	Tie rod end-L	322150	90510643	-	10	OP060	00836	Bushing	0352341	90279193	Small
5	OP064-R	00839	Tie rod end-R	322152	90510644	-	11	OP061	00837	Bushing	352355	90373854	Big
6	OP059-L	00834	Control arm complete-L	0352132	90288387	-	12	OP059-L	02397	Control arm w/o ball joint-L	0352132 Part of 1		-
							13	OP059-R	02398	Control arm w/o ball joint-R	0352134 Part of 1		-

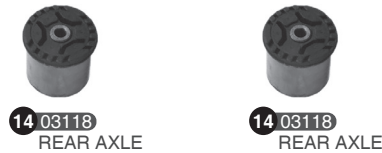
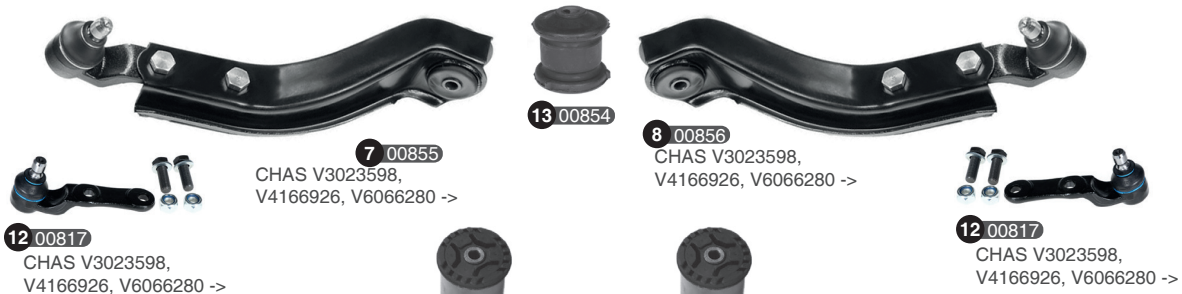


Ref	Old code	CODE	Description	OE - Number	OE - Number	FEATURES	Ref	Old code	CODE	Description	OE - Number	OE - Number	FEATURES
1	OP044	00823	Stabilizer link	350609	90468930	M12x1,5-225 mm	8	OP047-L	00824	Control arm complete-L	0352029	90576788	371 mm
2	OP147-L	00889	Stabilizer link-L	444289	90334915	-	9	OP047-R	00825	Control arm complete-R	0352028	90576789	371 mm
3	OP147-R	00890	Stabilizer link-R	444288	90334916	-	10	OP046	02396	Control arm w/o ball joint	0352028 Part of 1		-
4	OP043-L	00821	Tie rod end-L	0322179	9193098	-	11	OP025	00806	Ball joint	352800	90542995	18
5	OP043-R	00822	Tie rod end-R	0322180	9193099	-	12	OP050	00828	Bushing	352303	9156605	Small
6	OP042-L	00819	Tie rod end-L	322151	90510651	-	13	OP051	00829	Bushing	0352302	90576775	Big
7	OP042-R	00820	Tie rod end-R	322154	90510652	-							

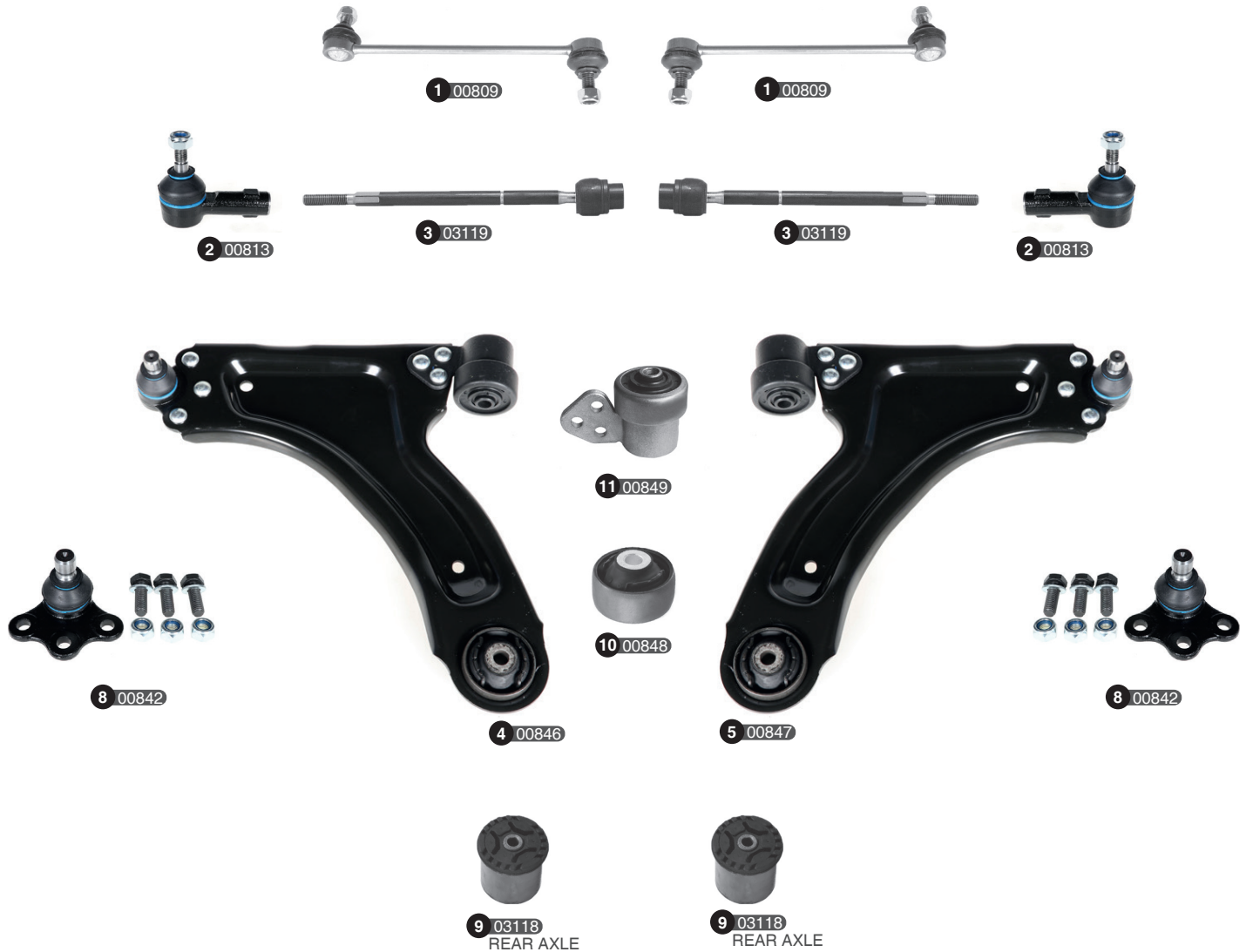


Ref	Old code	CODE	Description	OE – Number	OE – Number	FEATURES	Ref	Old code	CODE	Description	OE – Number	OE – Number	FEATURES
1	OP116	00866	Stabilizer link	350615	51803183	M12x1,5-352 mm	10	OP128-R	00879	Control arm complete-R	12796014	51748652	20-334 mm
2	OP146	00888	Stabilizer link	13104120	71740112	M10x1,25-86,3 mm	11	OP131	00882	Bushing	423008 Part of 1		-
3	-	05350	Stabilizer link	13116332	350612	-	12	-	04634	Bushing	13204112 Part of 1		12,1
4	OP118-L	00868	Tie rod end-L	12765896	93194521	M12x1,5-Female-M14x1,5-136 mm	13	-	04635	Bushing	51755681 Part of 2		14,1
5	OP118-R	00869	Tie rod end-R	12781813	93194522	M12x1,5-Female-M14x1,5-136 mm	14	OP085	00859	Bushing	12786412	93171448	Big
6	OP117	00867	Axial joint	1603244	93191672	M14x1,5-M18x1,5-284 mm	15	OP111	00864	Bushing	352357	90498738	Small
7	-	01815	Axial joint	1603417	95507452	M14x1,5-M18x1,5-304 mm	16	OP130	00881	Bushing	13105744 Part of 2		-
8	OP129	00880	Control arm complete	423008	423035	380 mm	17	-	03440	Track rod	0423002	423032	228,5 mm-39,3-12-46,8 mm
9	OP128-L	00878	Control arm complete-L	12796013	51748653	20-334 mm							



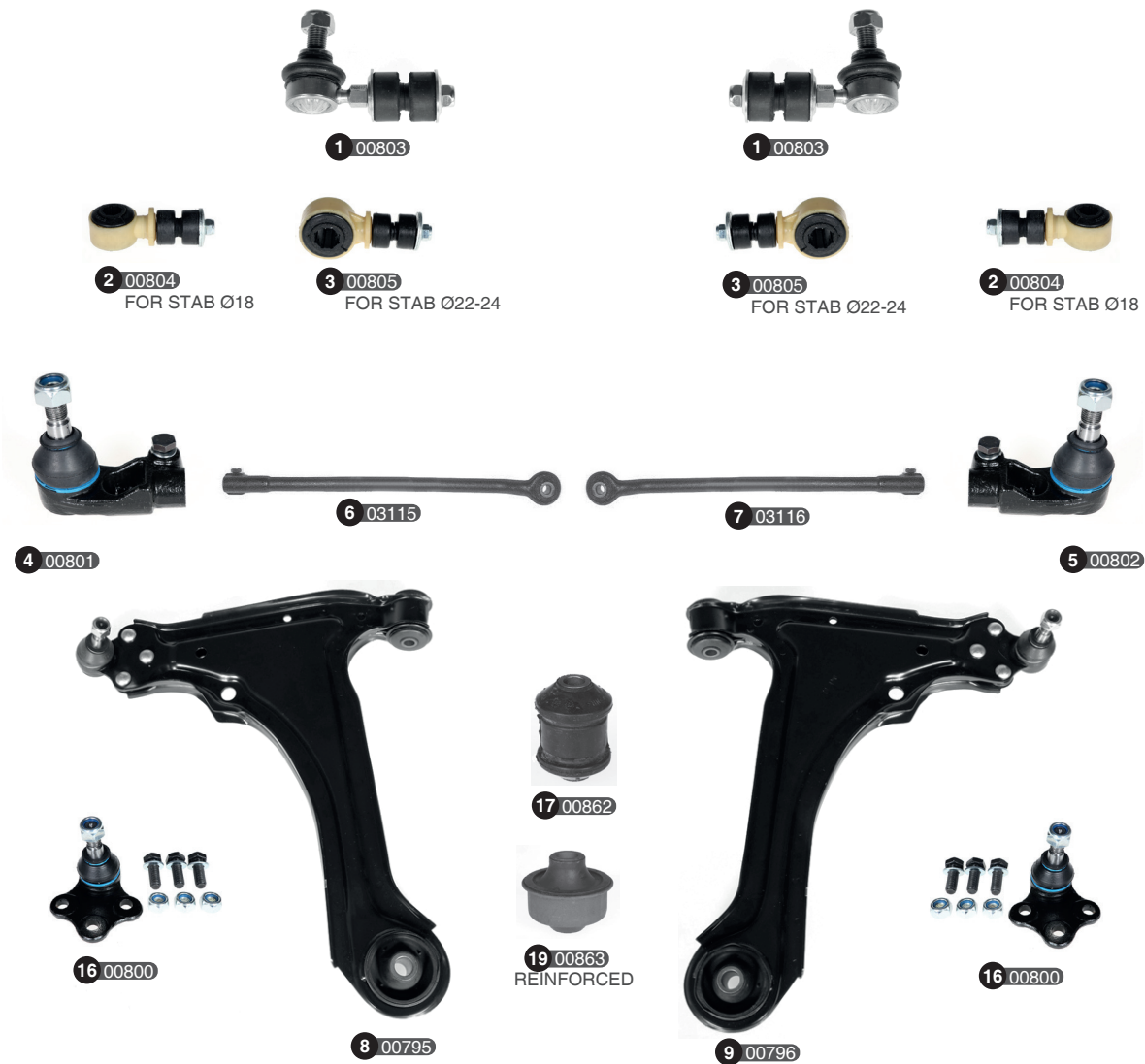


Ref	Old code	CODE	Description	OE - Number	OE - Number	FEATURES	Ref	Old code	CODE	Description	OE - Number	OE - Number	FEATURES
1	OP034	00813	Tie rod end	1603009	93192419	M10x1,5-Female-M12x1,5-70 mm	8	OP082-R	00856	Control arm complete-R	5352012	90542573	-
2	OP036	00815	Tie rod end	324066		M10x1,5-Female-M12x1,5-77 mm	9	OP077-L	02325	Control arm w/o ball joint-L	352003 Part of 1		-
3	OP037	00816	Axial joint	322155		M12x1,5-M14x1,5-326 mm	10	OP077-R	02326	Control arm w/o ball joint-R	352002 Part of 1		-
4	OP039	00818	Axial joint	26032284	322158	M12x1,5-M14x1,5-282 mm	11	OP033	00812	Ball joint	90444294		15
5	OP078-L	00852	Control arm complete-L	352003	90511260	-	12	OP038	00817	Ball joint	1603202	90539896	15
6	OP078-R	00853	Control arm complete-R	352002	90511261	-	13	OP079	00854	Bushing	352301	90445097	-
7	OP082-L	00855	Control arm complete-L	5352011	90542572	-	14	-	03118	Mounting axle body	24443815	5402636	-



Ref	Old code	CODE	Description	OE - Number	OE - Number	FEATURES	Ref	Old code	CODE	Description	OE - Number	OE - Number	FEATURES
1	OP028	00809	Stabilizer link	350610	90496116	M12x1,5-243 mm	6	OP069-L	00844	Control arm w/o ball joint-L	13140037 Part of 1		-
2	OP034	00813	Tie rod end	1603009	93192419	M10x1,5-Female-M12x1,5-70 mm	7	OP069-R	00845	Control arm w/o ball joint-R	13140038 Part of 1		-
3	-	03119	Axial joint	1603018	93192418	M12x1,5-M14x1,5-317 mm	8	OP066	00842	Ball joint	352803	9196394	16
4	OP070-L	00846	Control arm complete-L	13140037	352061	310 mm	9	-	03118	Mounting axle body	24443815	5402636	-
5	OP070-R	00847	Control arm complete-R	13140038	352063	310 mm	10	OP071	00848	Bushing	13138151	352310	Big
							11	OP072	00849	Bushing	352309 Part of		Small





Ref	Old code	CODE	Description	OE - Number	OE - Number	FEATURES	Ref	Old code	CODE	Description	OE - Number	OE - Number	FEATURES
1	OP022	00803	Stabilizer link	0350263	90495045	M12x1,5-84 mm	8	OP003-L	00795	Control arm complete-L	352193	5352001	344,6 mm
2	OP023	00804	Stabilizer link	0350261	90278577	83,5 mm	9	OP003-R	00796	Control arm complete-R	352192	5352000	344,6 mm
3	OP024	00805	Stabilizer link	0350260	90278579	84 mm	10	OP002-L	00793	Control arm w/o ball joint-L	0352193 Part of 1		-
4	OP021-L	00801	Tie rod end-L	0324053	4242749	M12x1,25-Female-M16x2-67 mm	11	OP002-R	00794	Control arm w/o ball joint-R	0352192 Part of 1		-
5	OP021-R	00802	Tie rod end-R	0324054	90369705	M12x1,25-Female-M16x2-67 mm	16	OP020	00800	Ball joint	1603121	1603167	M12x1,5
6	-	03115	Axial joint	322147	90373521	-	17	OP101	00862	Bushing	0352300	352346	Small
7	-	03116	Axial joint	322146	90373522	-	19	OP102	00863	Bushing	352347	90373264	Big



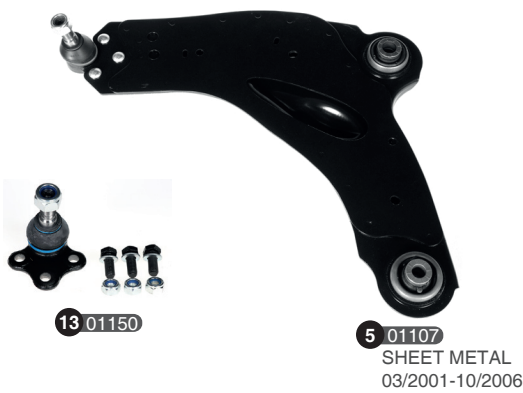
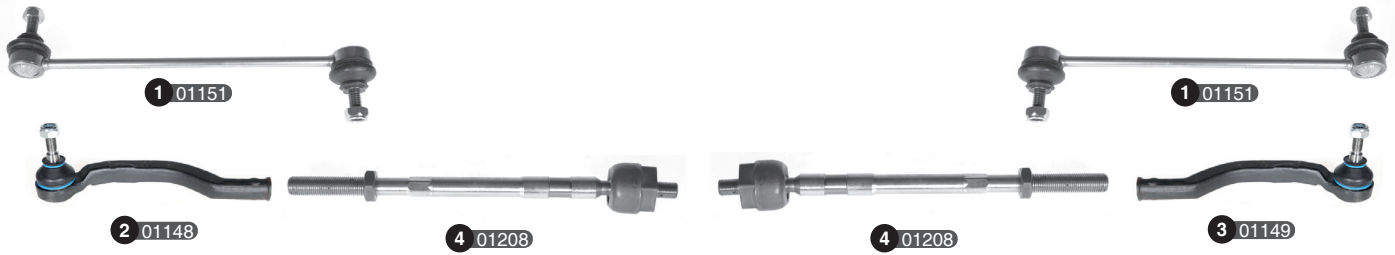
Ref	Old code	CODE	Description	OE - Number	OE - Number	FEATURES	Ref	Old code	CODE	Description	OE - Number	OE - Number	FEATURES
1	OP028	00809	Stabilizer link	350610	90496116	M12x1,5-243 mm	7	OP006-L	00798	Control arm complete-L	5352005	90496039	333 mm
2	-	03310	Stabilizer link	444291	90496711	80,2 mm	8	OP006-R	00799	Control arm complete-R	352030	9228477	333 mm
3	-	05087	Stabilizer link	444290		-	9	OP005	00797	Control arm w/o ball joint	352030 Part of 1		-
4	OP026	00807	Tie rod end	324063	90512775	M12x1,5-Female-M14x1,5-74 mm	10	OP025	00806	Ball joint	352800	90542995	18
5	OP027	00808	Axial joint	90498181	90540319	M14x1,5-M16x1,5-344,5 mm	11	-	02474	Axle Bushing	423121	90496700	-
6	-	05352	Axial joint	1603199	26055219	-	12	-	05000	Bushing	350086	9191649	-
							13	OP111	00864	Bushing	352357	90498738	Small
							14	OP112	00865	Bushing	352365	90498740	Big





Ref	Old code	CODE	Description	OE – Number	OE – Number	FEATURES	Ref	Old code	CODE	Description	OE – Number	OE – Number	FEATURES
1	OP116	00866	Stabilizer link	24417251	51803183	M12x1,5-352 mm	8	-	05351	Axial joint	1603229	93191671	-
2	OP146	00888	Stabilizer link	13104120	71740112	M10x1,25-86,3 mm Rear	9	OP129	00880	Control arm complete	13105744	423035	380 mm
3	-	05350	Stabilizer link	13116332	350612	-	10	OP128-L	00878	Control arm complete-L	24413015	51748653	20-334 mm
4	OP118-L	00868	Tie rod end-L	1603227	93194521	M12x1,5-Female-M14x1,5-136 mm	11	OP128-R	00879	Control arm complete-R	24413016	51748652	20-334 mm
							12	OP085	00859	Bushing	352319	93171448	Big
5	OP118-R	00869	Tie rod end-R	1603228	93194522	M12x1,5-Female-M14x1,5-136 mm	13	OP130	00881	Bushing	13105744 Part of 2		-
							14	OP131	00882	Bushing	423008 Part of 1		-
							15	OP111	00864	Bushing	352357	90498738	Small
6	OP117	00867	Axial joint	1603229	93191672	M14x1,5-M18x1,5-284 mm	16	-	04635	Bushing	13204112 Part of 2		14.1
							17	-	04634	Bushing	13204112 Part of 1		12.1
7	-	01815	Axial joint	1603252	95507452	M14x1,5-M18x1,5-304 mm	18	-	03440	Track rod	0423002	423032	228,5 mm-39,3-12-46,8 mm





Ref	Old code	CODE	Description	OE - Number	OE - Number	FEATURES	Ref	Old code	CODE	Description	OE - Number	OE - Number	FEATURES
1	RN156	01151	Stabilizer link	93858917		M10x1,5-279 mm	9	-	02765	Control arm complete-L	4417177	93853464	353,5 mm
2	RN154-L	01148	Tie rod end-L	4408510	93198895	M10x1,25-Female-M14x1,5-210 mm	10	-	02766	Control arm complete-R	4414178	93853465	353,5 mm
3	RN154-R	01149	Tie rod end-R	4408511	93198896	M10x1,25-Female-M14x1,5-210 mm	11	-	02767	Control arm w/o ball joint-L	4417177 Part of 1		-
4	RN270	01208	Axial joint	4408474	91160037	M14x1,5-M12x1-262,5 mm	12	-	02768	Control arm w/o ball joint-R	4414178 Part of 1		-
5	RN063-L	01107	Control arm complete-L	4408958	91166462	404 mm	13	RN155	01150	Ball joint	401606676R	95516404	M16x1,5
6	RN063-R	01108	Control arm complete-R	4408959	91166461	404 mm	14	-	02764	Ball joint	401600000A	93161884	M16x1,5
7	RN062-L	01105	Control arm w/o ball joint-L	4408958 Part of 1		-	15	-	05220	Bushing	4408958 Part of 4		Big
8	RN062-R	01106	Control arm w/o ball joint-R	4408959 Part of 1		-	16	RN161	02241	Bushing	4408958 Part of 3		Small



Ref	Old code	CODE	Description	OE - Number	OE - Number	FEATURES	Ref	Old code	CODE	Description	OE - Number	OE - Number	FEATURES
1	RN156	01151	Stabilizer link	4407573	93858917	M10x1,5-279 mm	6	-	04692	Control arm complete-R	4422270	93868600	-
2	RN154-L	01148	Tie rod end-L	4408510	93198895	M10x1,25-Female-M14x1,5-210 mm	7	-	04693	Control arm w/o ball joint-L	4422269	Part of 1	-
3	RN154-R	01149	Tie rod end-R	4408511	93198896	M10x1,25-Female-M14x1,5-210 mm	8	-	04694	Control arm w/o ball joint-R	4422270	Part of 1	-
4	RN270	01208	Axial joint	4408474	91160037	M14x1,5-M12x1-262,5 mm	9	-	04695	Ball joint	4422269	Part of 3	-
5	-	04691	Control arm complete-L	4422269	93868599	-	10	RN161	02241	Bushing	4408958	Part of 3	-
							11	-	05220	Bushing	8200002869	Part of	-

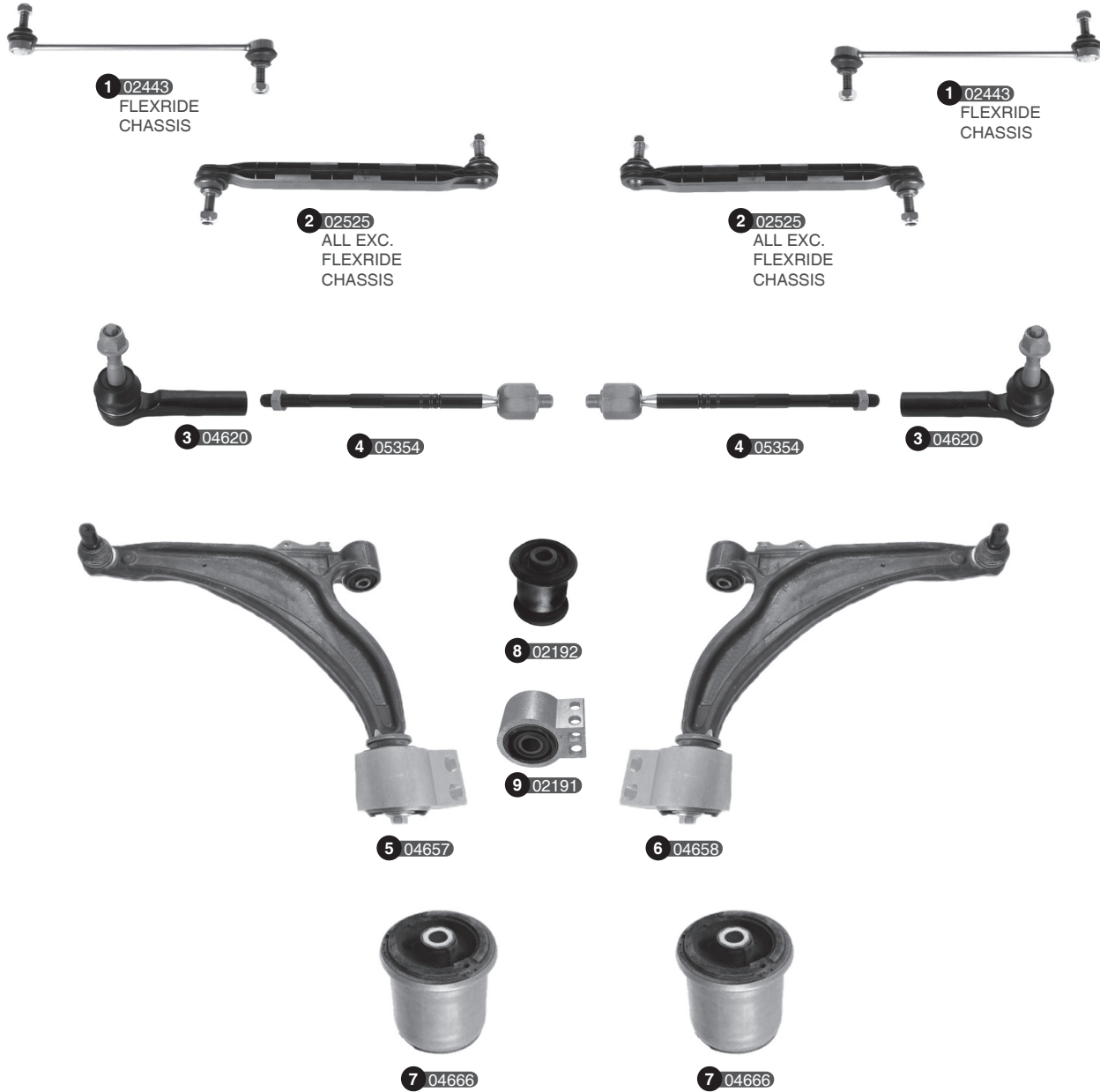




Ref	Old code	CODE	Description	OE - Number	OE - Number	FEATURES	Ref	Old code	CODE	Description	OE - Number	OE - Number	FEATURES
1	OP029	00810	Stabilizer link	350611	90498745	M12x1,5-300 mm	7	OP054-L	00832	Control arm complete-L	5352016	90498735	306 mm
2	-	02957	Stabilizer link	13169439		M12x1,5-300 mm	8	OP054-R	00833	Control arm complete-R	5352017	90498736	306 mm
3	OP048	00826	Tie rod end	1603214	93186537	M12x1,5-Female-M14x1,5-134 mm	9	OP052	00831	Control arm w/o ball joint	5352016 Part of 1		-
4	-	01760	Axial joint	1603213	93191526	M14x1,5-M18x1,5-282 mm	10	OP025	00806	Ball joint	352800	90542995	18
5	OP049	00827	Axial joint	1603216	9118128	M14x1,5-M18x1,5-303 mm	11	OP052	00830	Bushing	5352016 Part of 3		Big
6	-	05304	Axial joint	1603003 Part of		-	12	OP111	00864	Bushing	352357	90498738	Small



Ref	Old code	CODE	Description	OE - Number	OE - Number	FEATURES	Ref	Old code	CODE	Description	OE - Number	OE - Number	FEATURES
1	OP029	00810	Stabilizer link	350611	90498745	M12x1,5-300 mm	8	OP120-L	00871	Control arm complete-L	24454477	5352029	289 mm
2	-	02957	Stabilizer link	13169439		M12x1,5-300 mm	9	OP120-R	00872	Control arm complete-R	24454478	5352030	289 mm
3	OP122	00874	Stabilizer link	24461353	350613	M12x1,5-299 mm	10	OP119	00870	Control arm w/o ball joint	24454477 Part of 1		-
4	OP125-L	00876	Tie rod end-L	1603258	93196780	M12x1,5-Female-M14x1,5-137,5 mm	11	OP025	00806	Ball joint	352800	90542995	18
5	OP125-R	00877	Tie rod end-R	1603257	93196779	M12x1,5-Female-M14x1,5-137,5 mm	12	OP111	00864	Bushing	352357	90498738	Small
6	-	01816	Axial joint	1603287	93191521	M14x1,5-M18x1,5-278 mm	13	OP121	00873	Bushing	352324		Big
7	-	01812	Axial joint	1603268	93189670	M14x1,5-M16x1,5-279 mm	14	-	03830	Mounting axle body	402952	5402637	-



Ref	Old code	CODE	Description	OE - Number	OE - Number	FEATURES	Ref	Old code	CODE	Description	OE - Number	OE - Number	FEATURES
1	-	02443	Stabilizer link	13258052	350618	M12x1,75-304 mm	6	-	04658	Control arm complete-R	13371817	352510	-
2	-	02525	Stabilizer link	13219141	350617	M12x1,75-305,5 mm	7	-	04666	Mounting axle body	402027	402052	-
3	-	04620	Tie rod end	13286686	1609026	-	8	-	02192	Bushing	13219090	352866	Small
4	-	05354	Axial joint	13286688	1609184	-		9	-	02191	Bushing	13230774	352508
5	-	04657	Control arm complete-L	13371816	352509	-							



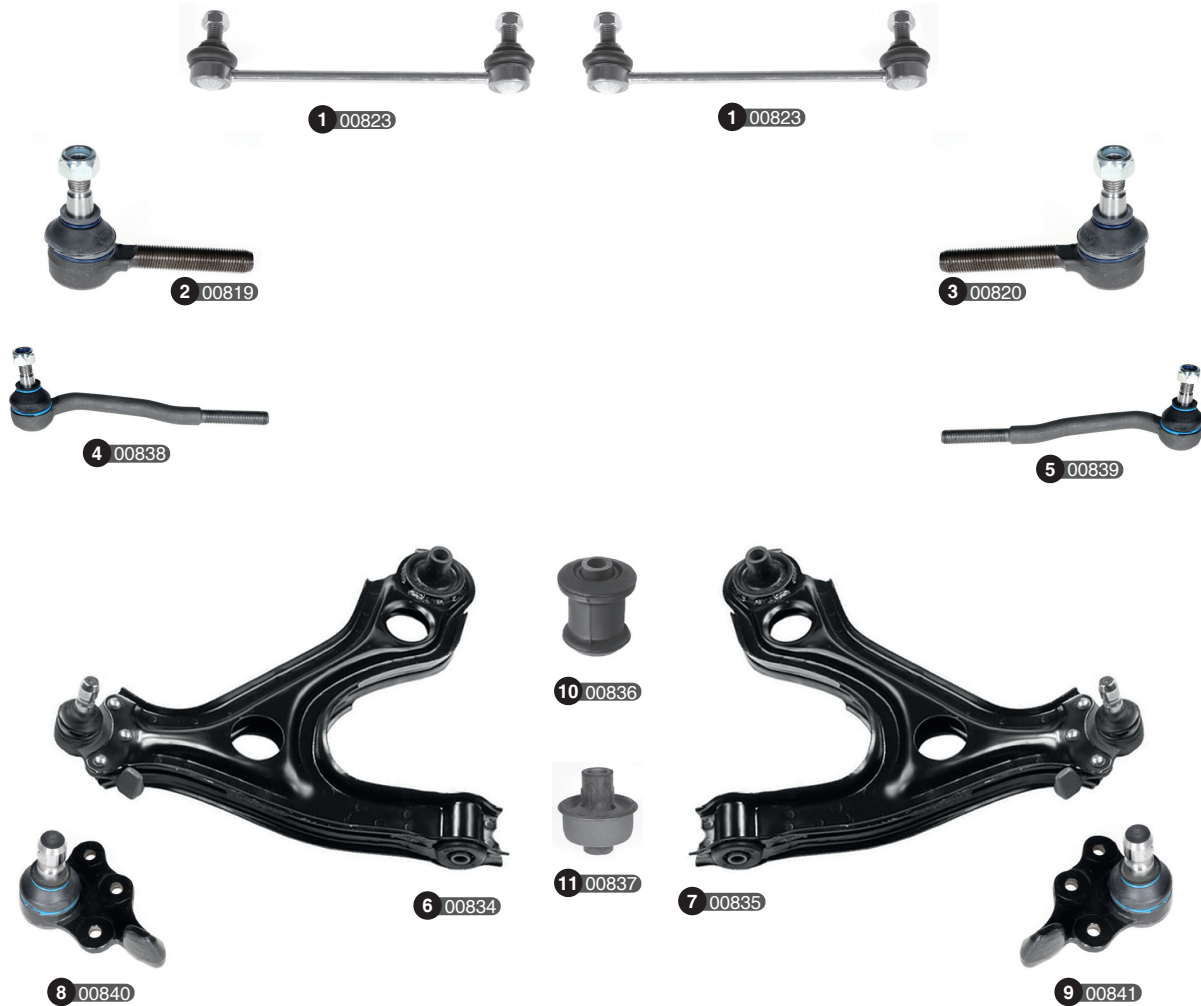
STD SUSP.



BAD ROAD PACKAGE



Ref	Old code	CODE	Description	OE - Number	OE - Number	FEATURES	Ref	Old code	CODE	Description	OE - Number	OE - Number	FEATURES
1	PJ169-L	01006	Stabilizer link-L	3640463	508754	M10x1,5-330 mm (Front)	9	-	03415	Control arm complete-L	3647089	9675031880	Lower-18-314,5 mm
2	PJ169-R	01007	Stabilizer link-R	3640462	508755	M10x1,5-330 mm (Front)	10	-	03416	Control arm complete-R	3347088	9675028880	Lower-18-314,5 mm
3	-	06360	Tie rod end	1631056980	3556146	-	11	PJ183-L	01020	Control arm w/o ball joint-L	1607305080 Part of	3520Q9 Part of	-
4	-	06361	Axial joint	1631056780	3556147	-	12	PJ183-R	01021	Control arm w/o ball joint-R	1607305180 Part of	3521N0 Part of	-
5	-	06171	Control arm complete-L	3647087		STD SUSP.	13	-	02771	Ball joint	364077		Lower-18
6	-	06172	Control arm complete-R	3647086	9819418280	STD SUSP.	14	PJ186	01025	Bushing	3523CE	9658583580	Small
7	-	06168	Control arm with bushing-L	9822126880 Part of	3647087 Part of	-	15	-	06170	Bushing	9655766880	9880613880	Big
8	-	06169	Control arm with bushing-R	3647086 Part of	9819418280 Part of	-	16	PJ187	01026	Bushing	3523CC	9677041080	Big



Ref	Old code	CODE	Description	OE - Number	OE - Number	FEATURES	Ref	Old code	CODE	Description	OE - Number	OE - Number	FEATURES
1	OP044	00823	Stabilizer link	0350600	90468930	M12x1,5-225 mm	7	OP059-R	00835	Control arm complete-R	0352136	90288388	-
2	OP042-L	00819	Tie rod end-L	322151	90510651	-	8	OP065-L	00840	Ball joint-L	0352826	90272194	18 Ø
3	OP042-R	00820	Tie rod end-R	322154	90510652	-	9	OP065-R	00841	Ball joint-R	0352827	90272195	18 Ø
4	OP064-L	00838	Tie rod end-L	322150	90510643	-	10	OP060	00836	Bushing	0352341	90279193	Small
5	OP064-R	00839	Tie rod end-R	322152	90510644	-	11	OP061	00837	Bushing	352355	90373854	Big
6	OP059-L	00834	Control arm complete-L	0352132	90288387	-	12	OP059-L	02397	Control arm w/o ball joint-L	0352132 Part of 1		-
							13	OP059-R	02398	Control arm w/o ball joint-R	0352134 Part of 1		-





1 05313



2 05312



3 02388  
CHAS SV 720102  
->-> 07/1995



4 03122



1 05313



2 05312



3 02388  
CHAS SV 720102  
->-> 07/1995

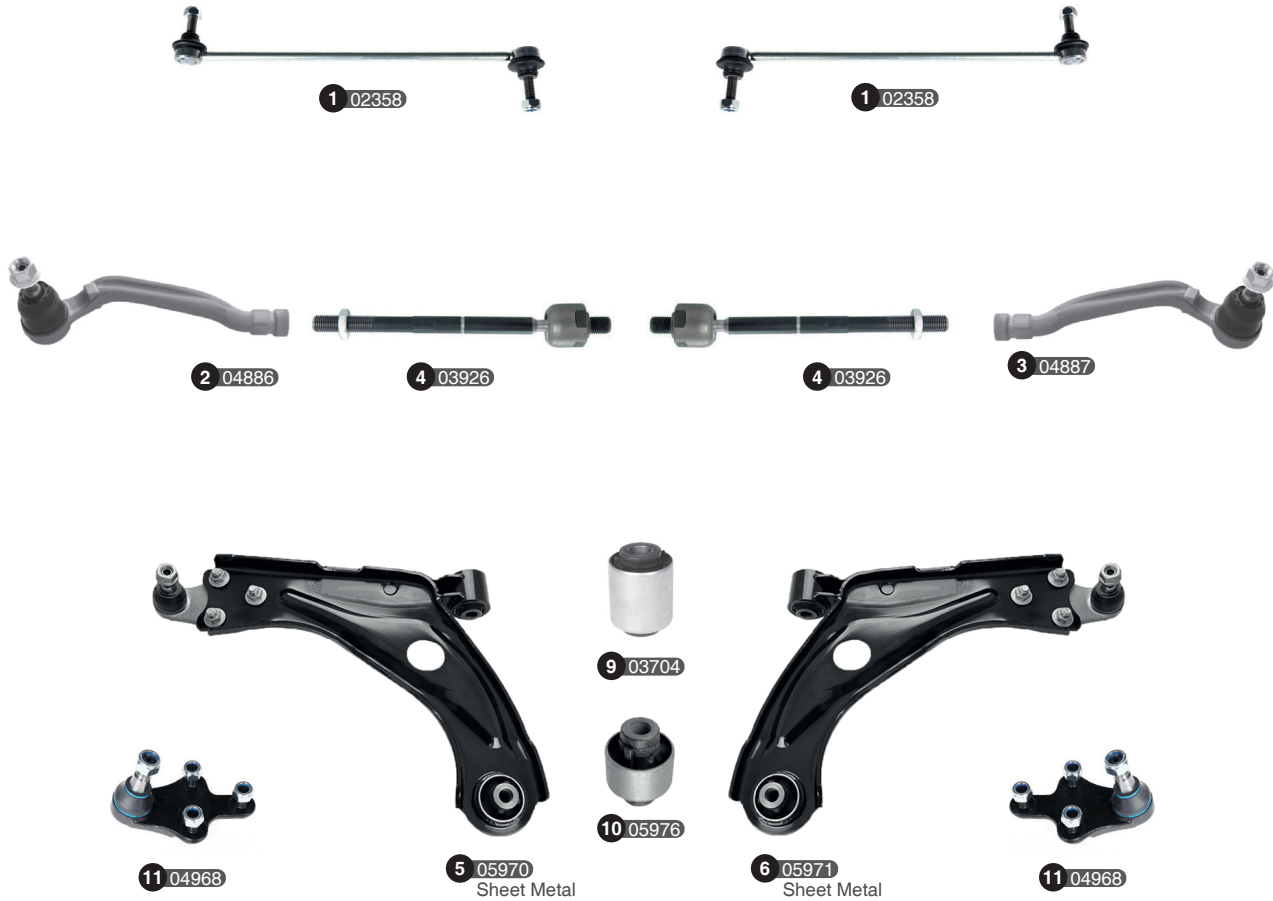


4 03122



Ref	Old code	CODE	Description	OE - Number	OE - Number	FEATURES	Ref	Old code	CODE	Description	OE - Number	OE - Number	FEATURES
1	-	05313	Tie rod end	324057	97020953	-	3	-	02388	Ball joint	310821	94459453	-
2	-	05312	Tie rod end	444065	97020954	-	4	-	03122	Ball joint	352828	94459465	-





Ref	Old code	CODE	Description	OE - Number	OE - Number	FEATURES	Ref	Old code	CODE	Description	OE - Number	OE - Number	FEATURES
1	-	02358	Stabilizer link	1610930280	508764	M10x1,5-334 mm	7	-	05972	Control arm w/o ball joint-L	3646272 Part of	-	-
2	-	04886	Tie rod end-L	1610817780	-	-	8	-	05973	Control arm w/o ball joint-R	3656247 Part of	-	-
3	-	04887	Tie rod end-R	1610817880	-	-	9	-	03704	Bushing	9676032180	-	Small
4	-	03926	Axial joint	1610817680	-	-	10	-	05976	Bushing	9816380380	-	Big
5	-	05970	Control arm complete-L	3646272	9816865580	-	11	-	04968	Ball joint	3637430	9803434080	-
6	-	05971	Control arm complete-R	3656247	9816865480	-							



Ref	Old code	CODE	Description	OE - Number	OE - Number	FEATURES	Ref	Old code	CODE	Description	OE - Number	OE - Number	FEATURES
1	-	04678	Stabilizer link-L	39001003	39064480	-	8	-	05400	Control arm w/o ball joint-L			-
2	-	04679	Stabilizer link-R	39001004	39064481	-	9	-	05401	Control arm w/o ball joint-R			-
3	-	04675	Tie rod end-L	39008084		-	10	-	04672	Ball joint	39021472 Part of 1		-
4	-	04676	Tie rod end-R	39008083		-	11	-	04673	Bushing	39021472 Part of 2	39021474	Small
5	-	04677	Axial joint	13464344		-	12	-	04674	Bushing	39001027		Big
6	-	04670	Control arm complete-L	39021472		-	13	-	05302	Bushing KIT	39021474 + 39001027		-
7	-	04671	Control arm complete-R	39021743		-							



INSIGNIA B (Z18) GRANDSPORT (03/2017 ->)  
INSIGNIA B SPORTS TOURER (Z18) (03/2017 ->)  
INSIGNIA B COUNTRY TOURER (Z18) (06/2017 ->)



Ref	Old code	CODE	Description	OE - Number	OE - Number	FEATURES	Ref	Old code	CODE	Description	OE - Number	OE - Number	FEATURES
1	-	07610	STABILIZER LINK-LH	84077102	-	-	7	-	07614	AXIAL JOINT	23449526	-	-
2	-	07611	STABILIZER LINK-RH	84077103	-	-	8	-	07615	CONTROL ARM-LH (LOWER) (COMPLETE)	84198832	-	-
3	-	07621	STABILIZER LINK (REAR)	23384634	-	-	9	-	07616	CONTROL ARM-RH (LOWER) (COMPLETE)	84198833	-	-
4	-	07622	STABILIZER LINK (REAR)	84012690	-	-	10	-	07619	BUSHING	84198832 PART OF	84198833 PART OF	-
5	-	07612	TIE ROD END-LH	23449522	-	-	11	-	07620	BUSHING	23167662	84198829	-
6	-	07613	TIE ROD END-RH	23449523	-	-							



Ref	Old code	CODE	Description	OE - Number	OE - Number	FEATURES	Ref	Old code	CODE	Description	OE - Number	OE - Number	FEATURES
1	-	07826	Stabilizer link	9824652580	-	-	7	-	07820	Ball joint	9824626380	-	-
2	-	07874	Tie rod end-L	1669648480	-	-	8	-	07824	Bushing	9829920980	-	-
3	-	07875	Tie rod end-R	1669648580	-	-	9	-	07825	Bushing	9829930480	-	-
4	-	07830	Axial joint	1648322280 PART OF	-	-	10	-	07821	Control arm complete-L	9831683580	-	-
5	-	07814	Control arm complete-L	9831626480	-	-	11	-	07822	Control arm complete-R	9831621480	-	-
6	-	07815	Control arm complete-R	9832039280	-	-	12	-	07823	Ball joint	9824626780	-	-
							13	-	07829	Bushing	9825551480	-	-



1 20179



1 20179



3 20215



2 30005

HYDRO. PS



2 30005



4 30043

ELEC. PS



4 30043



3 20215



6 04656

REAR AXLE (ø68.8)



5 04666

REAL AXLE (ø66.8)  
HYDRO SB



5 04666

REAL AXLE (ø66.8)  
HYDRO SB

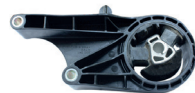


6 04656

REAR AXLE (ø68.8)



7 20177



8 20197



9 20198



10 20201



11 20209



12 20217



13 20229



14 20230



15 20236



16 20237



17 20238



18 20239



19 20240



20 20243



21 21051





Ref	Old code	CODE	Description	OE – Number	OE – Number	FEATURES	Ref	Old code	CODE	Description	OE – Number	OE – Number	FEATURES
1	-	20179	ANTI ROLL BAR BUSHING	13281782	350621	-	12	-	20217	ENGINE MOUNTING	13268880	684218	-
2	-	30005	STEERING WHEEL GATER	902010	13278357	-	13	-	20229	ENGINE MOUNTING	684321	684435	-
3	-	20215	SUSPENSION STRUT SUPPORT BEARING (FRONT)	13501413	13505854	-	14	-	20230	ENGINE MOUNTING	13294212	13347449	-
4	-	30043	STEERING WHEEL GATER	13354440	1609028	-	15	-	20236	ENGINE MOUNTING HYDRAULIC	1387953	682066	-
5	-	04666	Bushing	13311920	402052	-	16	-	20237	ENGINE MOUNTING HYDRAULIC	13248550	682076	-
6	-	04656	Bushing	13313230	13354691	-	17	-	20238	ENGINE MOUNTING HYDRAULIC	682047	13248542	-
7	-	20177	ANTI ROLL BAR BUSHING	13204070	350390	-	18	-	20239	ENGINE MOUNTING HYDRAULIC	13248545	682063	-
8	-	20197	ENGINE MOUNTING	684300	13324496	-	19	-	20240	ENGINE MOUNTING HYDRAULIC	682073	13248548	-
9	-	20198	ENGINE MOUNTING	13248600	684216	-	20	-	20243	ENGINE MOUNTING HYDRAULIC	682064	13248546	-
10	-	20201	ENGINE MOUNTING	684224	-	-	21	-	21051	ENGINE MOUNTING RIGHT	13248475	684323	-
11	-	20209	ENGINE MOUNTING	684214	13248575	-							





Ref	Old code	CODE	Description	OE – Number	OE – Number	FEATURES	Ref	Old code	CODE	Description	OE – Number	OE – Number	FEATURES
1	-	07093	Stabilizer link	9809090180	SU001A6492	-	8	-	07100	Bushing	9809082680	-	Small
2	-	07094	Tie rod end-L	9820340080	SU001A7207	M14X1.5R	9	-	07101	Bushing	9816557980	-	Big
3	-	07095	Tie rod end-R	9820340180	SU001A7208	M14X1.5R	10	-	07102	Stabilizer link	9814854080	SU001A6659	Rear
4	-	07096	Axial joint	9820340280 PART OF	-	M16X1.5R	11	-	07103	Stabilizer link	9814854180	SU001A6660	Rear
5	-	07097	Control arm complete-L	9816863680	SU001A6517	-	12	-	07104	Stabilizer link	9814854280	SU001A6661	Rear
6	-	07098	Control arm complete-R	9816863580	SU001A6516	-	13	-	07105	Stabilizer link	9814854380	SU001A6662	Rear
7	-	07099	Ball Joint	9818655580	SU001A6525	Lower	14	-	07106	Stabilizer link	9805621380	-	Rear





Ref	Old code	CODE	Description	OE - Number	OE - Number	FEATURES	Ref	Old code	CODE	Description	OE - Number	OE - Number	FEATURES
1	-	07826	Stabilizer link	9824652580	-	-	6	-	08015	CONTROL ARM-RH (LOWER) (COMPLETE)	9831682780	-	-
2	-	08092	TIE ROD END-LH	1648322680	-	-	7	-	07824	BUSHING	9829920980	9831621480 PART OF	-
3	-	08093	TIE ROD END-RH	1648322580	-	-	8	-	08020	BUSHING	9831682580 PART OF 2	9831682780 PART OF 2	-
4	-	07830	Axial joint	1648322280 PART OF	-	M14X1.5R	9	-	07823	BALL JOINT (LOWER)	9824626780	-	-
5	-	08014	CONTROL ARM-LH (LOWER) (COMPLETE)	9831682580	-	-	10	-	08021	BUSHING	9825658680	-	-
							11	-	08022	BUSHING	9835937980	-	-



Ref	Old code	CODE	Description	OE - Number	OE - Number	FEATURES	Ref	Old code	CODE	Description	OE - Number	OE - Number	FEATURES
1	-	02358	Stabilizer link	1610930280	508764	M10x1,5-334 mm	6	-	08463	CONTROL ARM RH (LOWER) (COMPLETE)	9846329280	9846329280S1	-
2	-	04886	Tie rod end-L	1610817780	-	-	7	-	03704	BUSHING	3637432	9676032180	-
3	-	04887	Tie rod end-R	1610817880	-	-	8	-	05976	BUSHING	3644790	9816380380	-
4	-	08461	Axial joint	1675957480	-	-	9	-	08464	BALL JOINT (LOWER)	9831088280	-	-
5	-	08462	CONTROL ARM LH (LOWER) (COMPLETE)	9846329780	9846329780S1	-	10	-	07769	BUSHING	3637375	9803481180	-