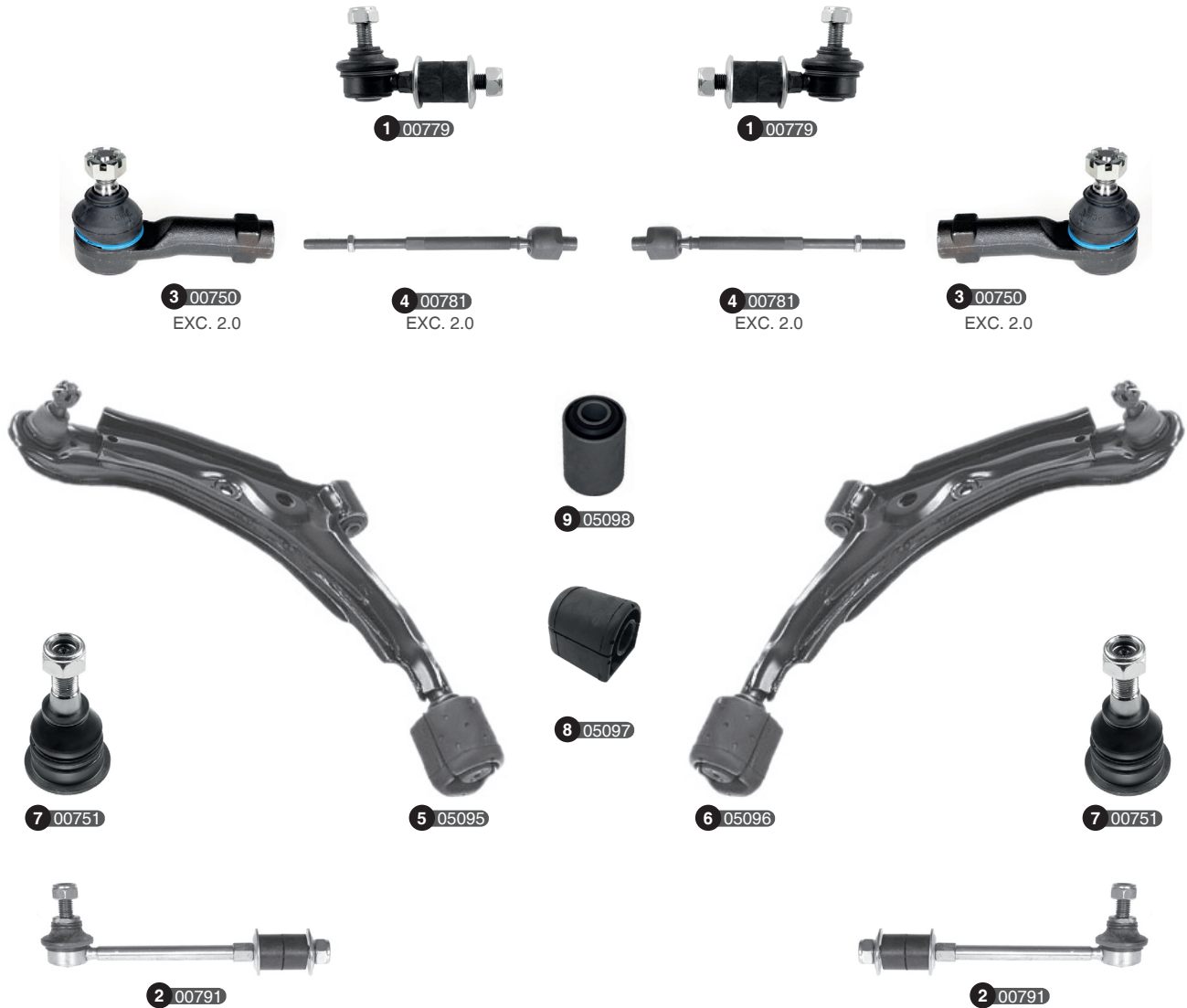
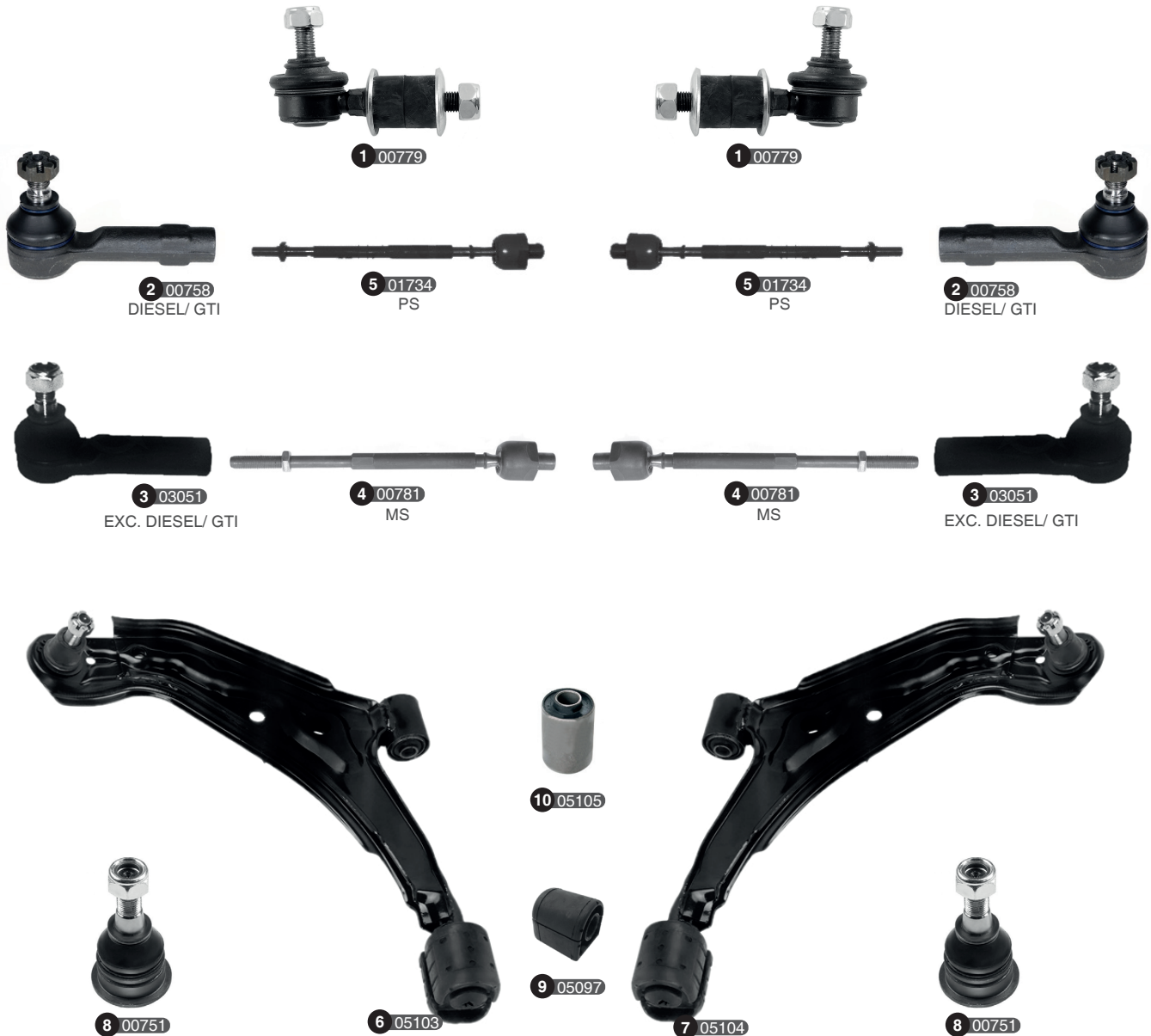




**NISSAN**



Ref	Old code	CODE	Description	OE - Number	OE - Number	FEATURES	Ref	Old code	CODE	Description	OE - Number	OE - Number	FEATURES
1	NS046	00779	Stabilizer link	5461850Y00	54618D5010	M10x1,25-84,5 mm	5	-	05095	Control arm complete-L	5450152Y10	5450169Y10	-
2	NS074	00791	Stabilizer link	5461858Y10	5461858Y60	M10x1,5-174 mm Rear	6	-	05096	Control arm complete-R	5450052Y10	5450069Y10	-
3	NS011	00750	Tie rod end	4852002E26	485209C025	M12x1,25-Female-M12x1,25-88 mm	7	NS012	00751	Ball joint	4016052Y20	4016152Y10	-
4	NS048	00781	Axial joint	4852150400	48521Y02G0	M12x1,25-M16x1-276 mm	8	-	05097	Bushing	545000M020 Part of1		Big
							9	-	05098	Bushing	5450052Y10 Part of2		Small



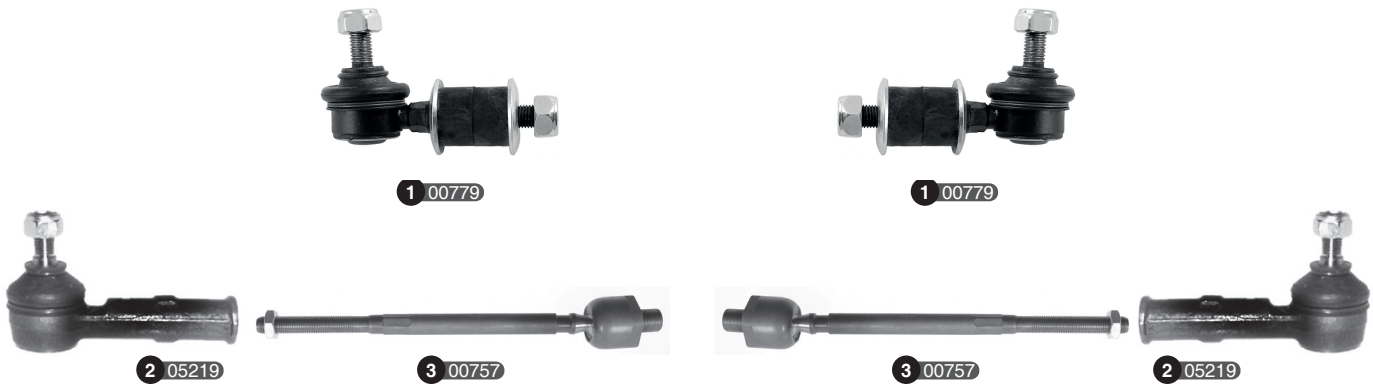
Ref	Old code	CODE	Description	OE - Number	OE - Number	FEATURES	Ref	Old code	CODE	Description	OE - Number	OE - Number	FEATURES
1	NS046	00779	Stabilizer link	5461850Y00	54618D5010	M10x1,25-84,5 mm	6	-	05103	Control arm complete-L	545010M010	545010M060	-
2	NS018	00758	Tie rod end	485200C000	QJB100241	-	7	-	05104	Control arm complete-R	545000M020	54500F4300	-
3	-	03051	Tie rod end	485200M025		-	8	NS012	00751	Ball joint	4016052Y20	4016152Y10	-
4	NS048	00781	Axial joint	4852150400	48521Y02G0	M12x1,25-M16x1-276 mm	9	-	05097	Bushing	545000M020 Part of1		Big
5	-	01734	Axial joint	485211M210	485211M226	M12x1,25-M16x1-276 mm	10	-	05105	Bushing	5456050A00		Small



Ref	Old code	CODE	Description	OE - Number	OE - Number	FEATURES	Ref	Old code	CODE	Description	OE - Number	OE - Number	FEATURES
1	NS003	00745	Stabilizer link	546184M400		M10x1,5-92,5 mm	7	-	03762	Control arm complete-L	545014M400	54501BM410	317 mm
2	NS018	00758	Tie rod end	485200C000	QJB100241	-	8	-	03763	Control arm complete-R	545004M400	54500BM410	317 mm
3	-	01778	Tie rod end	48520BM425		-	9	-	05100	Ball joint	54501BM410		-
4	-	01734	Axial joint	485211M210	485211M226	M12x1,25-M16x1-276 mm	10	-	05101	Bushing	54501BM410	Part of 1	Big
5	-	01780	Axial joint	485214M500	485214M588	M14x1,5-M16x1-287 mm	11	-	05102	Bushing	54500BM410	Part of 2	Small
6	-	05099	Axial joint	49001BN010	Part of	-							



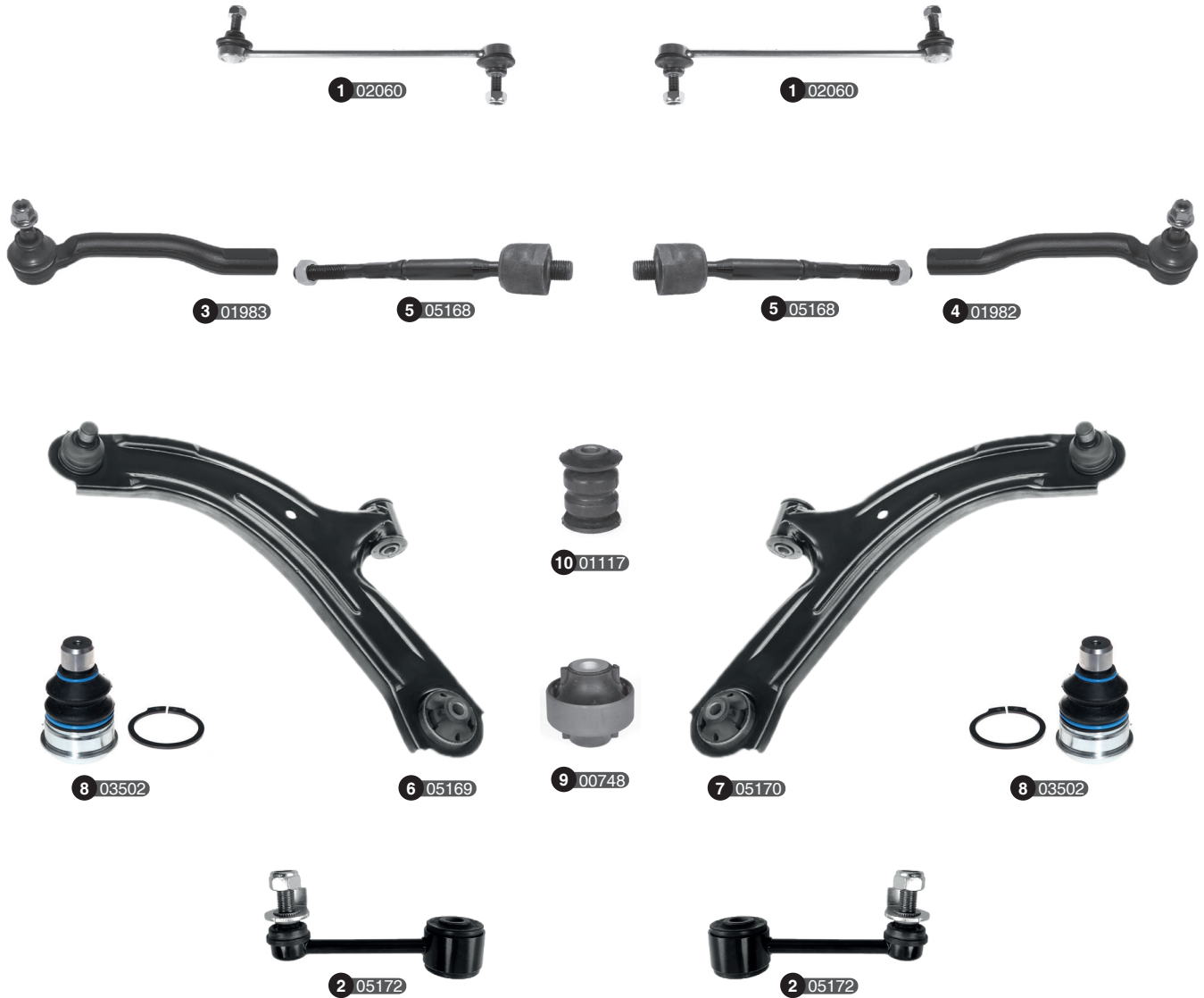
Ref	Old code	CODE	Description	OE - Number	OE - Number	FEATURES	Ref	Old code	CODE	Description	OE - Number	OE - Number	FEATURES
1	-	03055	Stabilizer link-L	51320SNA02	54668BU70A	M10x1,5-65 mm	5	-	05106	Control arm complete-L	545015U300	54501BU000	-
2	-	03056	Stabilizer link-R	546184U000	54618BU70A	M10x1,5-65 mm	6	-	05107	Control arm complete-R	545005U300	54500BU000	-
3	NS018	00758	Tie rod end	485200C000	QJB100241	-	7	-	03053	Ball joint	401602Y000	40160BU000	-
4	-	03052	Axial joint	485214U000	485214U085	-							



Ref	Old code	CODE	Description	OE - Number	OE - Number	FEATURES	Ref	Old code	CODE	Description	OE - Number	OE - Number	FEATURES
1	NS046	00779	Stabilizer link	5461850Y00	54618D5010	M10x1,25-84,5 mm	3	NS017	00757	Axial joint	4852110A00	48521D0100	M12x1,25-M16x1-259 mm
2	-	05219	Tie rod end	4852001E25	4852050Y25	-	4	NS030	00765	Ball joint	4016001E00	54500330R10	-



Ref	Old code	CODE	Description	OE - Number	OE - Number	FEATURES	Ref	Old code	CODE	Description	OE - Number	OE - Number	FEATURES
1	NS070	00789	Tie rod end	48520D0100	48520D0125	-	3	NS033	00766	Ball joint	4016001A00	40160A06G0	-
2	NS017	00757	Axial joint	4852110A00	48521D0100	M12x1,25- M16x1-259 mm							

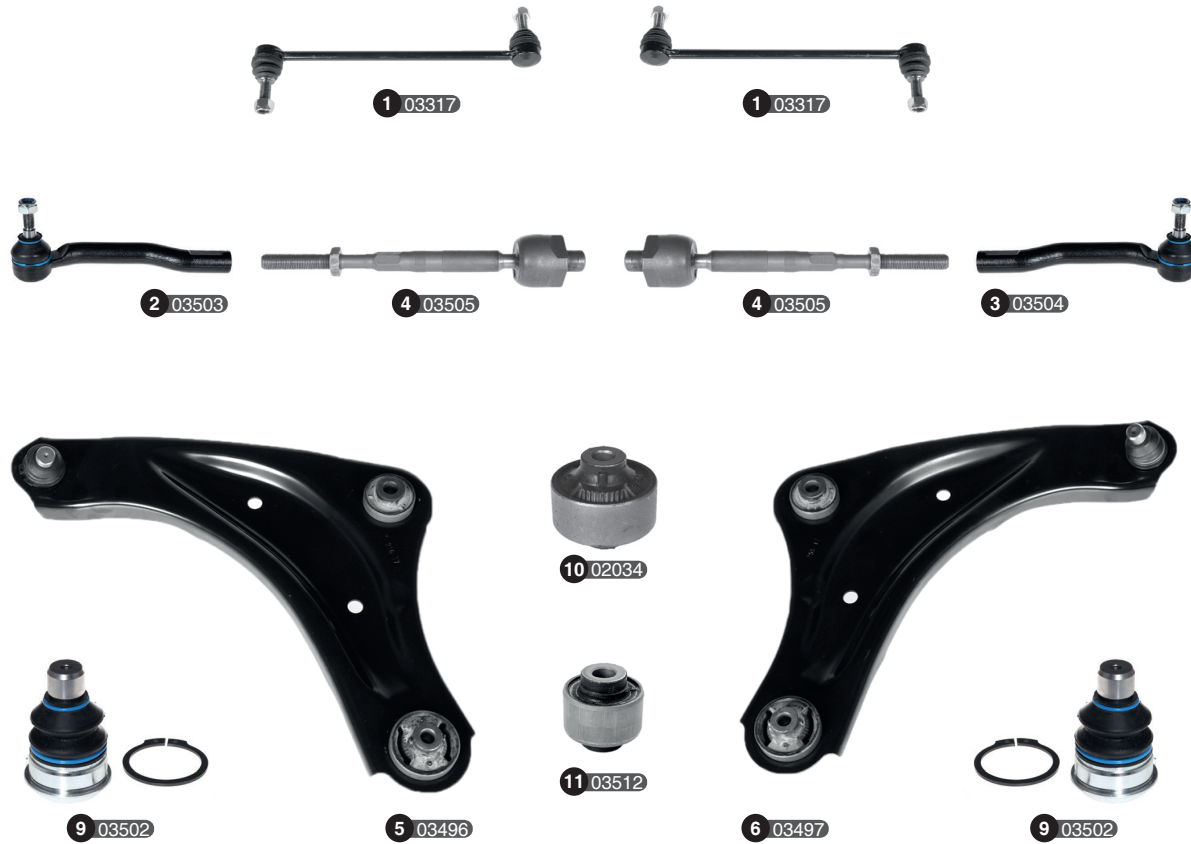


Ref	Old code	CODE	Description	OE - Number	OE - Number	FEATURES	Ref	Old code	CODE	Description	OE - Number	OE - Number	FEATURES
1	-	02060	Stabilizer link	546181X30A	54618JX30A	M10x1,25-248 mm	6	-	05169	Control arm complete-L	545011JY0A	54501EW000	-
2	-	05172	Stabilizer link	54618JX05B		Rear	7	-	05170	Control arm complete-R	545001JY0A	54500EW000	-
3	-	01983	Tie rod end-L	485271U61A	D8640EW00A	-	8	-	03502	Ball joint	545001KA0B Part of 3		18
4	-	01982	Tie rod end-R	486471U61A	D8520EW00A	-	9	NS007	00748	Bushing	545701JY0A	8200696437	Big
5	-	05168	Axial joint	485213U025		-	10	RN073	01117	Bushing	54560AX000	8200183569	Small





Ref	Old code	CODE	Description	OE - Number	OE - Number	FEATURES	Ref	Old code	CODE	Description	OE - Number	OE - Number	FEATURES
1	RN305-L	01215	Stabilizer link-L	4418192	93192673	M10x1,5-127 mm	7	RN310-R	01221	Control arm complete-R	4401941	9160393	22-381 mm
2	RN305-R	01216	Stabilizer link-R	4418193	93192674	M10x1,5-127 mm	8	-	03896	Control arm complete-L	4418629	93194853	-
3	RN304-L	01213	Tie rod end-L	4501262	9161562	M12x1,5-Female-M16x1,5-221,5 mm	9	-	03897	Control arm complete-R	4418630	93194855	-
4	RN304-R	01214	Tie rod end-R	4501263	9161563	M14x1,5-Female-M16x1,5-221,5 mm	10	RN300	01209	Ball joint	4016000Q0B	93194857	24
5	RN303	01212	Axial joint	4501261	93196241	M16x1,5-M14x1,5-174,5 mm	11	RN301	01210	Ball joint	4016000QAC Part of 3	9160555	22
6	RN310-L	01220	Control arm complete-L	4401852	9160392	22-381 mm	12	RN302	01211	Ball joint	4016000QAB	9150554	M14x1,5
							13	RN309	01219	Ball joint	4011000QAA	9160390	15
							14	RN306	01217	Bushing	5457000QAA	9160394	Small
							15	RN308	01218	Bushing	5442300QAA	9160395	Big
							16	RN307	02282	Bushing	4500091	9160391	-



Ref	Old code	CODE	Description	OE - Number	OE - Number	FEATURES	Ref	Old code	CODE	Description	OE - Number	OE - Number	FEATURES
1	-	03317	Stabilizer link	54618BA60A	54618CY00A	M12x1,25-283,5 mm	6	-	03497	Control arm complete-R	545001KA0B	545001KK0B	18-343 mm
2	-	03503	Tie rod end-L	D85201KA0A	D86404FJ0A	M10x1,5-Female-M12x1,25-192 mm	7	-	03498	Control arm w/o ball joint-L	545001KA0B Part of 1		-
3	-	03504	Tie rod end-R	D86401KA0A	D85204FJ0A	M10x1,5-Female-M12x1,25-192 mm	8	-	03499	Control arm w/o ball joint-R	545001KA0B Part of 1		-
4	-	03505	Axial joint	480011KA0A Part of 1		M12x1,25-M16x1-218 mm	9	-	03502	Ball joint	545001KA0B Part of 3		18
5	-	03496	Control arm complete-L	545001KA0B	545001KK0B	18-343 mm	10	-	02034	Bushing	545001KA0B Part of 5		Big
							11	-	03512	Bushing	545001KA0B Part of 4		Small



Ref	Old code	CODE	Description	OE - Number	OE - Number	FEATURES	Ref	Old code	CODE	Description	OE - Number	OE - Number	FEATURES
1	-	02256	Stabilizer link	5461600QAA	7700799404	M8x1,25-68 mm	6	RN045-R	01081	Control arm complete-R	5450000Q0D	8200737129	16-288 mm
2	RN202-L	01163	Tie rod end-L	4852000Q0H	852000QAN	M10x1,25-Female-M14x1,5-90 mm	7	RN044-L	01078	Control arm w/o ball joint-L	5450100Q0K	Part of 1	-
3	RN202-R	01164	Tie rod end-R	4852000Q0G	7701475843	M10x1,25-Female-M14x1,5-90 mm	8	RN044-R	01079	Control arm w/o ball joint-R	5450000Q0D	Part of 1	-
4	RN200	01161	Axial joint	4852100QAG	7701472120	M14x1,5-M12x1-300,5 mm	9	RN100	01137	Ball joint	7700434177		16
5	RN045-L	01080	Control arm complete-L	5450100Q0D	8200737123	16-288 mm	10	RN039	01073	Bushing	5456000QAB	8200651161	-



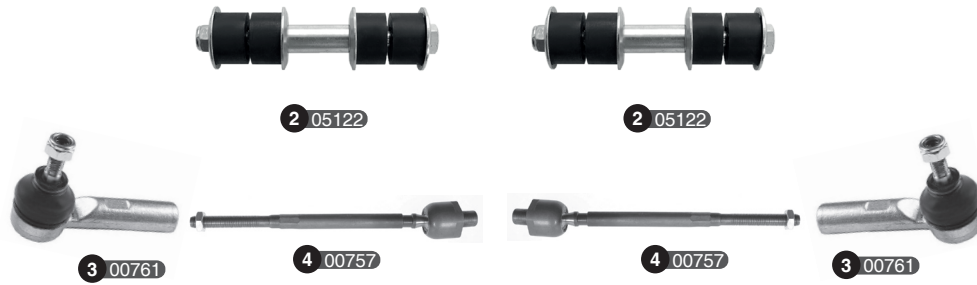
Ref	Old code	CODE	Description	OE - Number	OE - Number	FEATURES	Ref	Old code	CODE	Description	OE - Number	OE - Number	FEATURES
1	-	03058	Stabilizer link	546180E000	546180E000	M10x1,25-98 mm	4	-	01626	Axial joint	485210C025	4852140U26	M14x1,5- M16x1,5-312 mm
2	-	03059	Stabilizer link	5626051E15	5626051E15	-		5	-	03057	Ball joint	4016031U00	4016041U00
3	NS018	00758	Tie rod end	485200C000	QJB100241	-							



Ref	Old code	CODE	Description	OE - Number	OE - Number	FEATURES	Ref	Old code	CODE	Description	OE - Number	OE - Number	FEATURES
1	-	03060	Stabilizer link-L	546682Y000		-	4	-	02385	Axial joint	4852112Y405		-
2	-	03061	Stabilizer link-R	546182Y000		-	5		03053	Ball joint	401602Y000		
3	NS018	00758	Tie rod end	485200C000	QJB100241	-							



Ref	Old code	CODE	Description	OE - Number	OE - Number	FEATURES	Ref	Old code	CODE	Description	OE - Number	OE - Number	FEATURES
1	NS001	00743	Stabilizer link	562614F725		M10x1,25-89,5 mm Rear	6	NS020-R	00760	Control arm complete-R	5450021B00		-
2	NS016	00756	Tie rod end	4852001B25	4852017B25	-	7	-	03064	Control arm w/o ball joint-L	5450121B00 Part of 1		-
3	NS017	00757	Axial joint	4852110A00	48521D0100	M12x1,25-M16x1-259 mm	8	-	03065	Control arm w/o ball joint-R	5450021B00 Part of 1		-
4	-	01617	Axial joint	4852101B25	4852117B00	M12x1,25-M18x1-273,5 mm	9	NS040	00771	Ball joint	4016001B25		M10x1,25
5	NS020-L	00759	Control arm complete-L	5450121B00		-	10	-	03062	Bushing	5447601B00		Big
							11	-	03063	Bushing	5453501B00		Small



Ref	Old code	CODE	Description	OE - Number	OE - Number	FEATURES	Ref	Old code	CODE	Description	OE - Number	OE - Number	FEATURES
1	-	01732	Stabilizer link	5626147B01	562616F600	M10x1,25-91 mm - Rear	8	-	03068	Control arm complete-R	545006F600		13.1 mm
2	-	05122	Stabilizer link	5461847B00S1	5461847B0AS1	-	9	-	03069	Control arm w/o ball joint-L	545016F600	Part of 1	-
3	NS021	00761	Tie rod end	485204F125	485206F625	M10x1,25-Female-M12x1,25-95 mm	10	-	03070	Control arm w/o ball joint-R	545006F600	Part of 1	-
4	NS017	00757	Axial joint	4852110A00	48521D0100	M12x1,25-M16x1-259 mm	11	NS008	00749	Ball joint	401604F100	401604F105	M12x1,25 12.4 mm
5	NS024-L	00762	Control arm complete-L	545014F102	545014F105	12.4 mm	12	-	03066	Ball joint	545006F600	Part of	M12x1,25 13.1 mm
6	NS024-R	00763	Control arm complete-R	545004F102	545004F105	12.4 mm	13	-	03071	Bushing	544764F101		Big
7	-	03067	Control arm complete-L	545016F600		13.1 mm	14	-	03072	Bushing	545604F105		Small
							15	-	00743	Stabilizer link	562614F725		Rear



Ref	Old code	CODE	Description	OE - Number	OE - Number	FEATURES	Ref	Old code	CODE	Description	OE - Number	OE - Number	FEATURES
1	RN506	01225	Stabilizer link	54618AX600	8200605381	M10x1,5-248 mm	7	-	01982	Tie rod end-R	486471U61A	D8520EW00A	-
2	RN202-L	01163	Tie rod end-L	4852000Q0H	852000QAN	M10x1,25-Female-M14x1,5-90 mm	8	RN074	01118	Axial joint	7701475841	7701475841	M14x1,5-M14x1,5-309,7 mm
3	RN202-R	01164	Tie rod end-R	4852000Q0G	7701475843	M10x1,25-Female-M14x1,5-90 mm	9	NS014-L	00754	Control arm complete-L	54501AX60B	54501BC42A	316 mm
4	RN267-L	01205	Tie rod end-L	48640AX600		M10x1,25-Female-M14x1,5-200 mm	10	NS014-R	00755	Control arm complete-R	54500BC41A	545500AX60B	316 mm
5	RN267-R	01206	Tie rod end-R	48520AX600		M12x1,5-Female-M16x1,5-200 mm	11	NS013-L	00752	Control arm w/o ball joint-L	54501BC41A Part of 1		-
6	-	01983	Tie rod end-L	485271U61A	D8640EW00A	-	12	NS013-R	00753	Control arm w/o ball joint-R	54500BC41A Part of 1		-
							13	RN257	01196	Ball joint	8200298455		16
							14	NS007	00748	Bushing	545701JY0A	8200696437	Big
							15	RN073	01117	Bushing	54560AX000	8200183569	Small





Ref	Old code	CODE	Description	OE – Number	OE – Number	FEATURES	Ref	Old code	CODE	Description	OE – Number	OE – Number	FEATURES
1	-	02060	Stabilizer link	546181X30A	54618JX30A	M10x1,25-248 mm	7	-	03707	Control arm w/o ball joint-L	545011HA0C Part of 1		-
2	-	03715	Tie rod end-L	D86401HA0A		-	8	-	03708	Control arm w/o ball joint-R	545001HA0C Part of 1		-
3	-	03716	Tie rod end-R	D85201HA0A		-	9	-	03711	Ball joint	545001HA0C Part of 3		16
4	-	03714	Axial joint	D85211HA0A		-	10	-	03712	Bushing	545001HA0C Part of 4		Small
5	-	03705	Control arm complete-L	545011HA0C	545013VU0A	341,8 mm	11	-	03713	Bushing	545001HA0C Part of 5		Big
6	-	03706	Control arm complete-R	545001HA0C	545003VU0A	341,8 mm							



Ref	Old code	CODE	Description	OE - Number	OE - Number	FEATURES	Ref	Old code	CODE	Description	OE - Number	OE - Number	FEATURES
1	-	03073	Stabilizer link-L	54668CA000	54668CA00E	M12x1,25-308 mm	6	-	05125	Axial joint	48521CB025	48521CB027	-
2	-	03074	Stabilizer link-R	54618CA000	54618CK000	M12x1,25-308 mm	7	-	05127	Control arm complete-L	54501CC40E		-
3	-	03075	Stabilizer link-L	54668CA010		M10x1,5-85 mm Rear	8	-	05128	Control arm complete-R	54500CC40B	54500CC40E	-
4	-	03076	Stabilizer link-R	54618CA010		M10x1,5-85 mm Rear	9	-	02030	Ball joint	545009W20C Part of 3		20
							10	-	05129	Bushing	545009W200 Part of		Big
5	-	05126	Tie rod end	48520CB025	D8520CB025	-	11	-	05130	Bushing	54501CC40B Part of 1		Small



Ref	Old code	CODE	Description	OE - Number	OE - Number	FEATURES	Ref	Old code	CODE	Description	OE - Number	OE - Number	FEATURES
1	-	01956	Stabilizer link-L	546681AA0A	54668JD00A	M12x1,25-300 mm	7	-	05137	Axial joint	D85211AA0A	D8E211AA0A	-
2	-	01957	Stabilizer link-R	546181AA0A	54618JD00A	M12x1,25-300 mm	8	-	05131	Control arm complete-L	545011AA0A	545011AT0B	-
3	-	05133	Stabilizer link-L	562611AA0B		Rear	9	-	05132	Control arm complete-R	545001AA0A	545001AT0B	-
4	-	05134	Stabilizer link-R	562611AA0A		Rear	10	-	05135	Bushing	545001AA0A Part of		Big
5	-	04470	Tie rod end-L	D86401AA0A		-	11	-	05136	Bushing	545001AA0A Part of 1		Small
6	-	04469	Tie rod end-R	D85201AA0A		-							



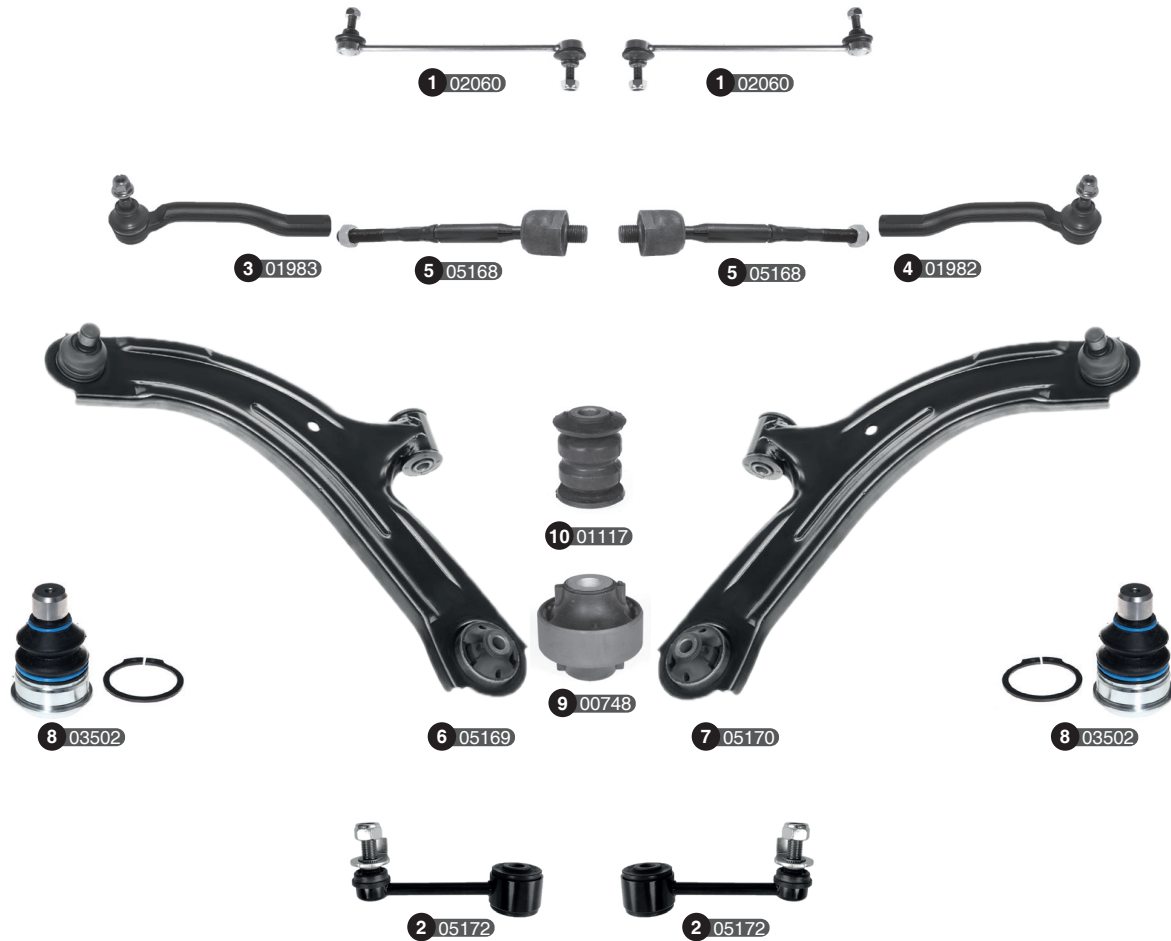
Ref	Old code	CODE	Description	OE - Number	OE - Number	FEATURES	Ref	Old code	CODE	Description	OE - Number	OE - Number	FEATURES
1	-	02675	Stabilizer link-L	54668EA010		M12x1,5-65 mm	10	-	03862	Control arm w/o ball joint-L	54525EB30A Part of 1		-
2	-	02676	Stabilizer link-R	54618EA010		M12x1,5-65 mm	11	-	03863	Control arm w/o ball joint-R	54524EB30A Part of 1		-
3	-	02673	Tie rod end-L	48520EA01J	48520EA026	-	12	-	03870	Control arm w/o ball joint-L	54501EB300 Part of 1		-
4	-	02674	Tie rod end-R	48640EA01J	48640EA026	-	13	-	03871	Control arm w/o ball joint-R	54500EB300 Part of 1		-
5	-	02679	Axial joint	48521EA000		M16x1,5-M20x2-201,5 mm	14	-	03867	Ball joint	54524EB30A Part of 4		-
6	-	03860	Control arm complete-L	54525EB30A		Upper	15	-	03875	Ball joint	54500EB300 Part of 4		-
7	-	03861	Control arm complete-R	54524EB30A		Upper	16	-	03866	Bushing	54524EB30A Part of 3		-
8	-	03868	Control arm complete-L	54501EB300	54501EB31A	Rower	17	-	03874	Bushing	54500EB300 Part of 3		-
9	-	03869	Control arm complete-R	54500EB300	54500EB31A	Rower							



Ref	Old code	CODE	Description	OE - Number	OE - Number	FEATURES	Ref	Old code	CODE	Description	OE - Number	OE - Number	FEATURES
1	-	02060	Stabilizer link	546181X30A	54618JX30A	M10x1,25-248 mm	7	NS014-R	00755	Control arm complete-R	54500BC41A	545500AX60B	316 mm
2	-	03077	Stabilizer link	546181X30A	Part of	Aluminum	8	NS013-L	00752	Control arm w/o ball joint-L	54501BC42A	Part of	-
3	-	01983	Tie rod end-L	485271U61A	D8640EW00A	-	9	NS013-R	00753	Control arm w/o ball joint-R	54500BC41A	Part of	-
4	-	01982	Tie rod end-R	486471U61A	D8520EW00A	-	10	RN257	01196	Ball joint	8200298455		16
5	-	05124	Axial joint	480019U100	Part of	-	11	NS007	00748	Bushing	545701JY0A	8200696437	Big
6	NS014-L	00754	Control arm complete-L	54501AX60B	54501BC42A	316 mm	12	RN073	01117	Bushing	54560AX000	8200183569	Small



Ref	Old code	CODE	Description	OE – Number	OE – Number	FEATURES	Ref	Old code	CODE	Description	OE – Number	OE – Number	FEATURES
1	-	02060	Stabilizer link	546181X30A	54618JX30A	M10x1,25-248 mm	6	-	03707	Control arm w/o ball joint-L	545011HA0C Part of 1		-
2	-	03715	Tie rod end-L	486473VU0A	D86401HA0A	-	7	-	03708	Control arm w/o ball joint-R	545001HA0C Part of 1		-
3	-	03716	Tie rod end-R	485273VU0A	D85201HA0A	-	8	-	03711	Ball joint	545001HA0C Part of 3		16
4	-	03705	Control arm complete-L	545011HA0C	545013VU0A	341,8 mm	9	-	03712	Bushing	545001HA0C Part of 4		Small
5	-	03706	Control arm complete-R	545001HA0C	545003VU0A	341,8 mm	10	-	03713	Bushing	545001HA0C Part of 5		Big



Ref	Old code	CODE	Description	OE - Number	OE - Number	FEATURES	Ref	Old code	CODE	Description	OE - Number	OE - Number	FEATURES
1	-	02060	Stabilizer link	546181X30A	54618JX30A	M10x1,25-248 mm	6	-	05169	Control arm complete-L	545011JY0A	54501EW000	-
2	-	05172	Stabilizer link	54618JX05B		Rear	7	-	05170	Control arm complete-R	545001JY0A	54500EW000	-
3	-	01983	Tie rod end-L	485271U61A	D8640EW00A	-	8	-	03502	Ball joint	545001KA0B Part of 3		18
4	-	01982	Tie rod end-R	486471U61A	D8520EW00A	-	9	NS007	00748	Bushing	545701JY0A	8200696437	Big
5	-	05168	Axial joint	485213U025		-	10	RN073	01117	Bushing	54560AX000	8200183569	Small



Ref	Old code	CODE	Description	OE - Number	OE - Number	FEATURES	Ref	Old code	CODE	Description	OE - Number	OE - Number	FEATURES
1	-	02776	Stabilizer link	4419291	93197325	M10x1,5-330 mm	7	-	02133	Control arm complete-L	4419215	93197214	389,2 mm
2	-	02821	Stabilizer link	4419304	93197332	M10x1,5-106 mm Rear	8	-	02134	Control arm complete-R	4419216	93197215	389,2 mm
3	-	04700	Stabilizer link	4420954	93168675	Rear	9	-	02775	Ball joint-L	40160000QE	93197233	M16x1,5
4	-	02818	Tie rod end-L	4420097	93167688	M14x1,5-Female-M18x1,5-235 mm	10	-	03493	Ball joint-R	40160000QF	95519325	M16x1,5
5	-	02819	Tie rod end-R	4420098	93167689	M14x1,5-Female-M18x1,5-235 mm	11	-	02135	Bushing	4419218		Big
6	-	02820	Axial joint	4420096	93167687	M18x1,5-M16x1,5-252 mm	12	-	02136	Bushing	4419217		Small





1 00643



1 00643



2 00783  
-- > 1993



2 00783  
-- > 1993



3 00784  
-- > 1993



3 00784  
-- > 1993



4 01492  
1993 -->



4 01492  
1993 -->



5 01493  
1993 -->



5 01493  
1993 -->



7 03082



7 03082



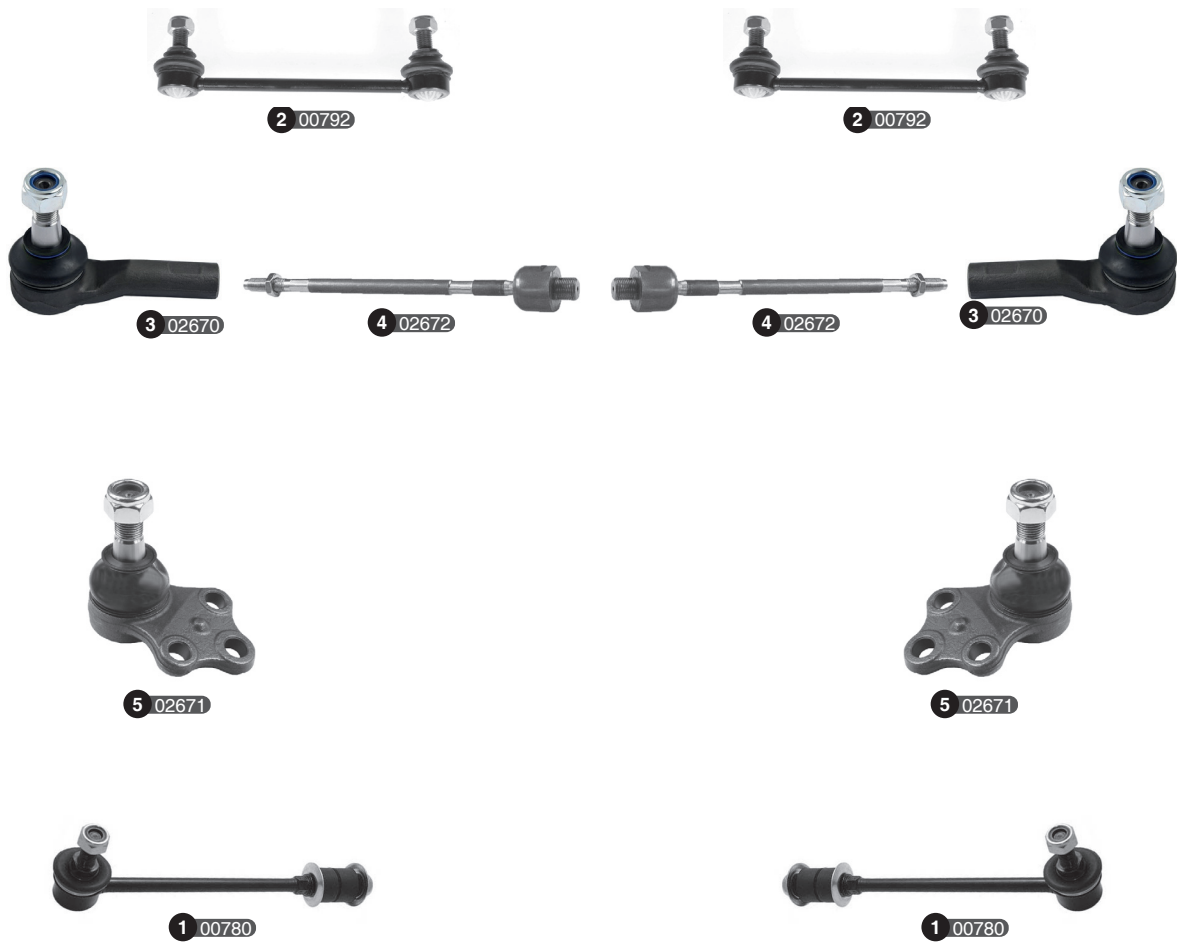
6 00768



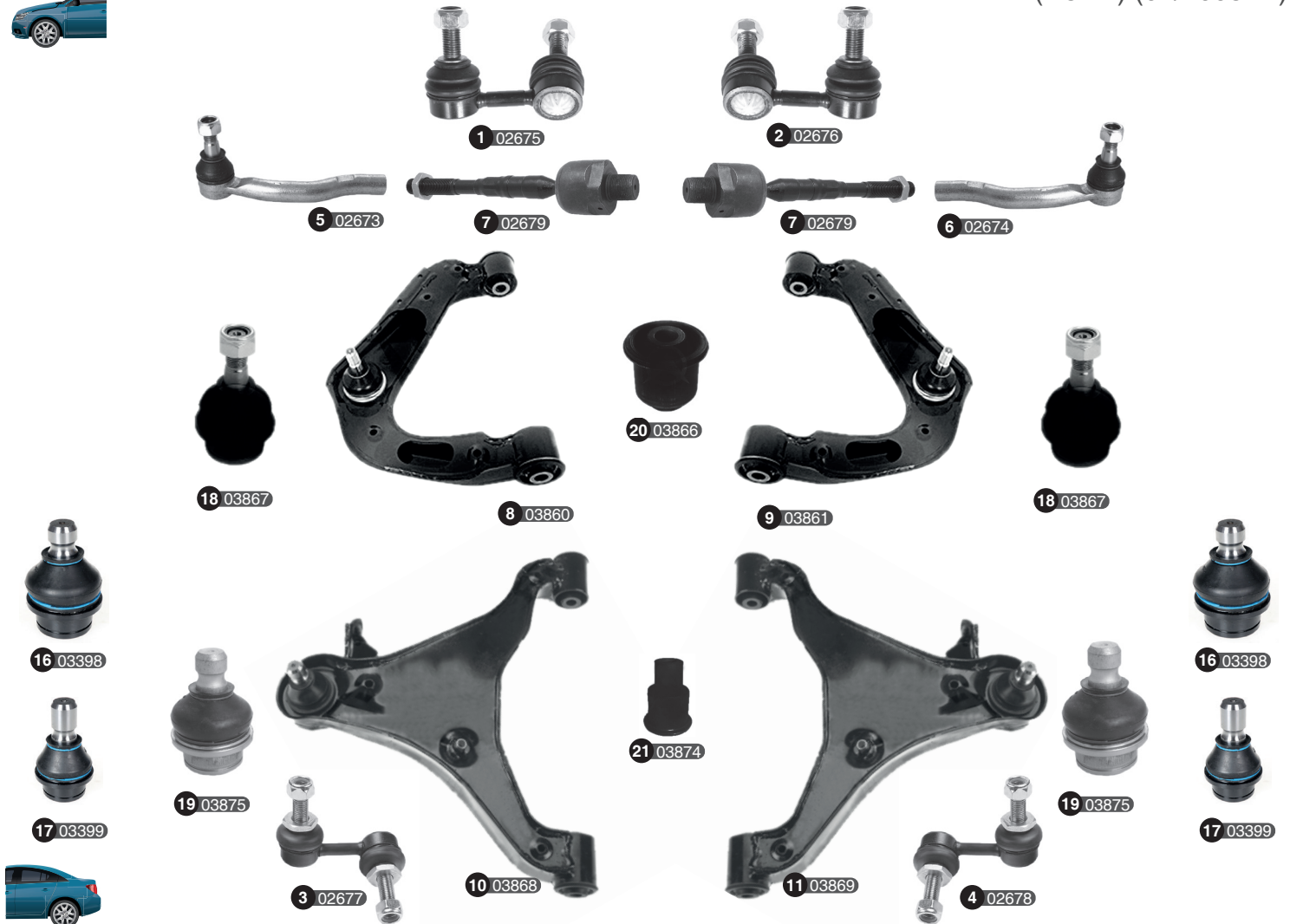
6 00768



Ref	Old code	CODE	Description	OE - Number	OE - Number	FEATURES	Ref	Old code	CODE	Description	OE - Number	OE - Number	FEATURES
1	MB015	00643	Stabilizer link	546180F000		M12x1,25-86 mm	5	-	01493	Tie rod end	4857061G25		-
2	NS053	00783	Tie rod end	4852031G25	485207F000	-	6	NS036	00768	Ball joint	1954430	VSJ782U	M14x1,5 Upper
3	NS054	00784	Tie rod end	485207F001	4857031G25	-	7	-	03082	Ball joint	1954431	4016150W01	Lower
4	-	01492	Tie rod end	4852061G25		-							



Ref	Old code	CODE	Description	OE - Number	OE - Number	FEATURES	Ref	Old code	CODE	Description	OE - Number	OE - Number	FEATURES	
1	NS047	00780	Stabilizer link	562600W001	5626041G11	Rear	4	-	02672	Axial joint	485210W025	485210W026	M14x1,5- M20x1,5-328 mm	
2	NS075	00792	Stabilizer link	546180W000	546183W400	M12x1,5-190 mm		5	-	02671	Ball joint	401600W025		-
3	-	02670	Tie rod end	485200P725	D8520VK90A	-								



Ref	Old code	CODE	Description	OE - Number	OE - Number	FEATURES	Ref	Old code	CODE	Description	OE - Number	OE - Number	FEATURES
1	-	02675	Stabilizer link-L	54668EA010		M12x1,5-65 mm	12	-	03862	Control arm w/o ball joint-L	54525EB30A Part of 1		Upper
2	-	02676	Stabilizer link-R	54618EA010		M12x1,5-65 mm	13	-	03863	Control arm w/o ball joint-R	54524EB30A Part of 1		Upper
3	-	02677	Stabilizer link-L	56261EA510		Rear	14	-	03870	Control arm w/o ball joint-L	54501EB300 Part of 1		Lower
4	-	02678	Stabilizer link-R	56261EA500		Rear	15	-	03871	Control arm w/o ball joint-R	54500EB300 Part of 1		Lower
5	-	02673	Tie rod end-L	48520EA01J	48520EA026	-	16	-	03398	Ball joint	551A0EB300 Part of		21,9 mm
6	-	02674	Tie rod end-R	48640EA01J	48640EA026	-	17	-	03399	Ball joint	551A1EB31A Part of		23,9 mm
7	-	02679	Axial joint	48521EA000		M16x1,5-M20x2-201,5 mm	18	-	03867	Ball joint	54524EB30A Part of 4		-
8	-	03860	Control arm complete-L	54525EB30A		Upper	19	-	03875	Ball joint	54500EB300 Part of 4		-
9	-	03861	Control arm complete-R	54524EB30A		Upper	20	-	03866	Bushing	54524EB30A Part of 3		-
10	-	03868	Control arm complete-L	54501EB300	54501EB31A	Lower	21	-	03874	Bushing	54500EB300 Part of 3		-
11	-	03869	Control arm complete-R	54500EB300	54500EB31A	Lower							



Ref	Old code	CODE	Description	OE - Number	OE - Number	FEATURES	Ref	Old code	CODE	Description	OE - Number	OE - Number	FEATURES
1	-	05184	Stabilizer link	54618VC300	54618VC300S1	-	6	-	05186	Tie rod end	48681VB025		-
2	-	05185	Stabilizer link	54618VB000	54618VB000S1	-	7	-	03078	Tie rod end-L	D8570VS40A		-
3	-	03080	Stabilizer link-L	56260VB010		Rear	8	-	03079	Tie rod end-R	D8510VS40A	D8520VS40A	-
4	-	03081	Stabilizer link-R	56260VC310		Rear	9	-	05187	Tie rod end-L	48570VD225	D8570VS42A	-
5	-	05189	Stabilizer link	5626001J10	5626001J10S1	-	10	-	05188	Tie rod end-R	48520VD225	D8520VS42A	-



2 05231  
2X4



2 05231  
2X4



2 00787



2 00787



3 00788



3 00788



4 00768



4 00768



5 05228



7 05243



6 05229



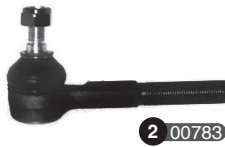
8 02301



8 02301



Ref	Old code	CODE	Description	OE - Number	OE - Number	FEATURES	Ref	Old code	CODE	Description	OE - Number	OE - Number	FEATURES
1	-	05231	Stabilizer link	5461801G00	5461801G0A	-	5	-	05228	Control arm-L	5450301G90	5450392G90	-
2	NS068	00787	Tie rod end	4852001G25	4852041W00	-	6	-	05229	Control arm-R	5450201G00	5450292G90	-
3	NS069	00788	Tie rod end	4852101G25		-	7	-	05243	Bushing	5456001G00		-
4	NS036	00768	Ball joint	1954430	VSJ782U	M14x1,5 Upper	8	-	02301	Ball joint	4016001G25	4016001G90	-



Ref	Old code	CODE	Description	OE - Number	OE - Number	FEATURES	Ref	Old code	CODE	Description	OE - Number	OE - Number	FEATURES
1	-	05230	Stabilizer link	5461802	5461802E00	-	4	NS036	00768	Ball joint	1954430	VSJ782U	Upper
2	NS053	00783	Tie rod end	4852031G25	485207F000	-	5	-	03082	Ball joint	1954431	4016150W01	Lower
3	NS054	00784	Tie rod end	485207F001	4857031G25	-	6	-	05243	Bushing	5456001G00		Lower

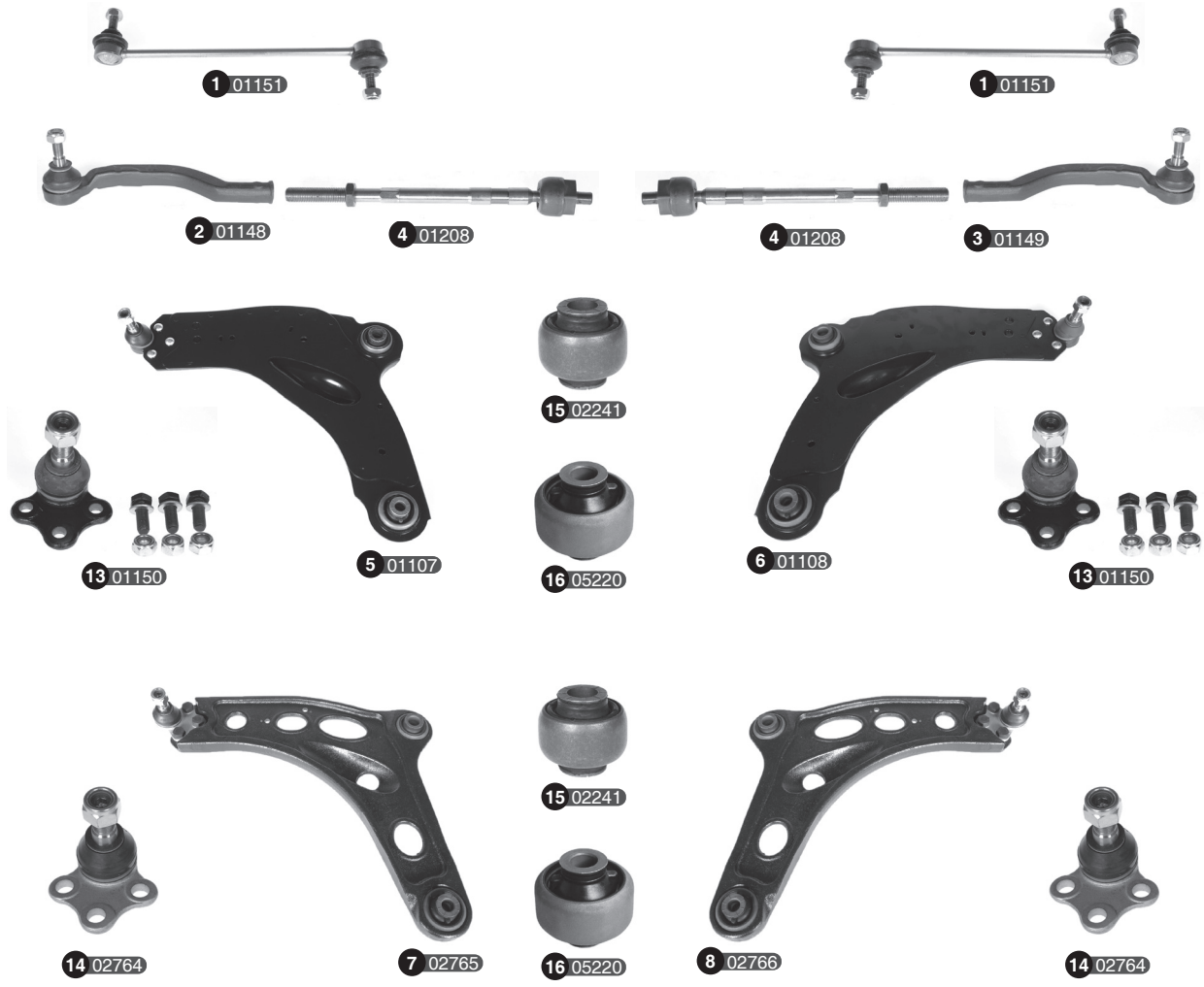


Ref	Old code	CODE	Description	OE - Number	OE - Number	FEATURES	Ref	Old code	CODE	Description	OE - Number	OE - Number	FEATURES
1	-	05221	Stabilizer link	42420M68K00	546164A00B	-	5	-	05224	Control arm complete-R	45201M68K00	545304A00D	-
2	-	03188	Tie rod end	4709195	93194035	-	6	-	05225	Ball joint	4520168L00 Part of		-
3	-	05222	Axial joint	485104A00C	48830M68K00	-	7	-	05226	Bushing	45430M68K00	544234A00B	Small
4	-	05223	Control arm complete-L	45202M68K00	545294A00D	-	8	-	05227	Bushing	45201M68K00 Part of 1		Big



Ref	Old code	CODE	Description	OE - Number	OE - Number	FEATURES	Ref	Old code	CODE	Description	OE - Number	OE - Number	FEATURES
1	NS046	00779	Stabilizer link	5461850Y00	54618D5010	M10x1,25-84,5 mm	4	NS030	00765	Ball joint	4016001E00	54500330R10	-
2	NS065	00785	Tie rod end	4852001R25	-	-	5	NS033	00766	Ball joint	4016001A00	40160A06G0	-
3	NS017	00757	Axial joint	4852110A00	48521D0100	M12x1,25-M16x1-259 mm							





Ref	Old code	CODE	Description	OE - Number	OE - Number	FEATURES	Ref	Old code	CODE	Description	OE - Number	OE - Number	FEATURES
1	RN156	01151	Stabilizer link	93858917	93858917	M10x1,5-279 mm	8	-	02766	Control arm complete-R	4414178	93853465	M16x1,5-353,5 mm
2	RN154-L	01148	Tie rod end-L	4408510	93198895	M10x1,25-Female-M14x1,5-210 mm	9	RN062-L	01105	Control arm w/o ball joint-L	4408958 Part of 1		-
3	RN154-R	01149	Tie rod end-R	4408511	93198896	M10x1,25-Female-M14x1,5-210 mm	10	RN062-R	01106	Control arm w/o ball joint-R	4408959 Part of 1		-
4	RN270 (OP123)	01208	Axial joint	4408474	91160037	M14x1,5-M12x1-262,5 mm	11	-	02767	Control arm w/o ball joint-L	4417177 Part of 1		-
5	RN063-L	01107	Control arm complete-L	4408958	91166462	M16x1,5-404 mm	12	-	02768	Control arm w/o ball joint-R	4414178 Part of 1		-
6	RN063-R	01108	Control arm complete-R	4408959	91166461	M16x1,5-404 mm	13	RN155	01150	Ball joint	401606676R	95516404	M16x1,5
7	-	02765	Control arm complete-L	4417177	93853464	M16x1,5-353,5 mm	14	-	02764	Ball joint	4016000Q0A	93161884	M16x1,5
							15	RN161	02241	Bushing	4408958 Part of 3		Small
							16	-	05220	Bushing	4408958 Part of 4		Big



Ref	Old code	CODE	Description	OE - Number	OE - Number	FEATURES	Ref	Old code	CODE	Description	OE - Number	OE - Number	FEATURES
1	NS002	00744	Stabilizer link	4526190J01	5626190J01	M10x1,5-115 mm Rear	8	NS006-R	00747	Control arm complete-R	545242F010	VSA962U	180 mm
2	NS042	00774	Stabilizer link	546182F010	5461890J11	M10x1,25-160,5 mm	9	NS015-L	02296	Control arm complete-L	5450186J00		-
3	NS046	00779	Stabilizer link	5461850Y00	54618D5010	M10x1,25-84,5 mm	10	NS015-R	02297	Control arm complete-R	5450086J00		-
4	-	01682	Stabilizer link	5461850J10	5461850J20	M10x1,25-163,5 mm	11	-	03091	Control arm w/o ball joint-L	5450186J00 Part of 1		-
5	NS011	00750	Tie rod end	4852002E26	485209C025	M12x1,25-Female-M12x1,25-88 mm	12	-	03092	Control arm w/o ball joint-R	5450086J00 Part of 1		-
6	-	01833	Axial joint	4852172E00	4852172E00	M12x1,5-M14x1,5-273 mm Upper	13	NS035	00767	Ball joint	4016050A00		M14x1,5
7	NS006-L	00746	Control arm complete-L	545252F010	5452586J10	180 mm Upper	14	NS009	02237	Bushing	5454590J00		-
							15	NS010	02238	Bushing	5454190J02		-
							16	-	03093	Bushing	5457050J00		Big
							17	-	03094	Bushing	5459001E00		Small



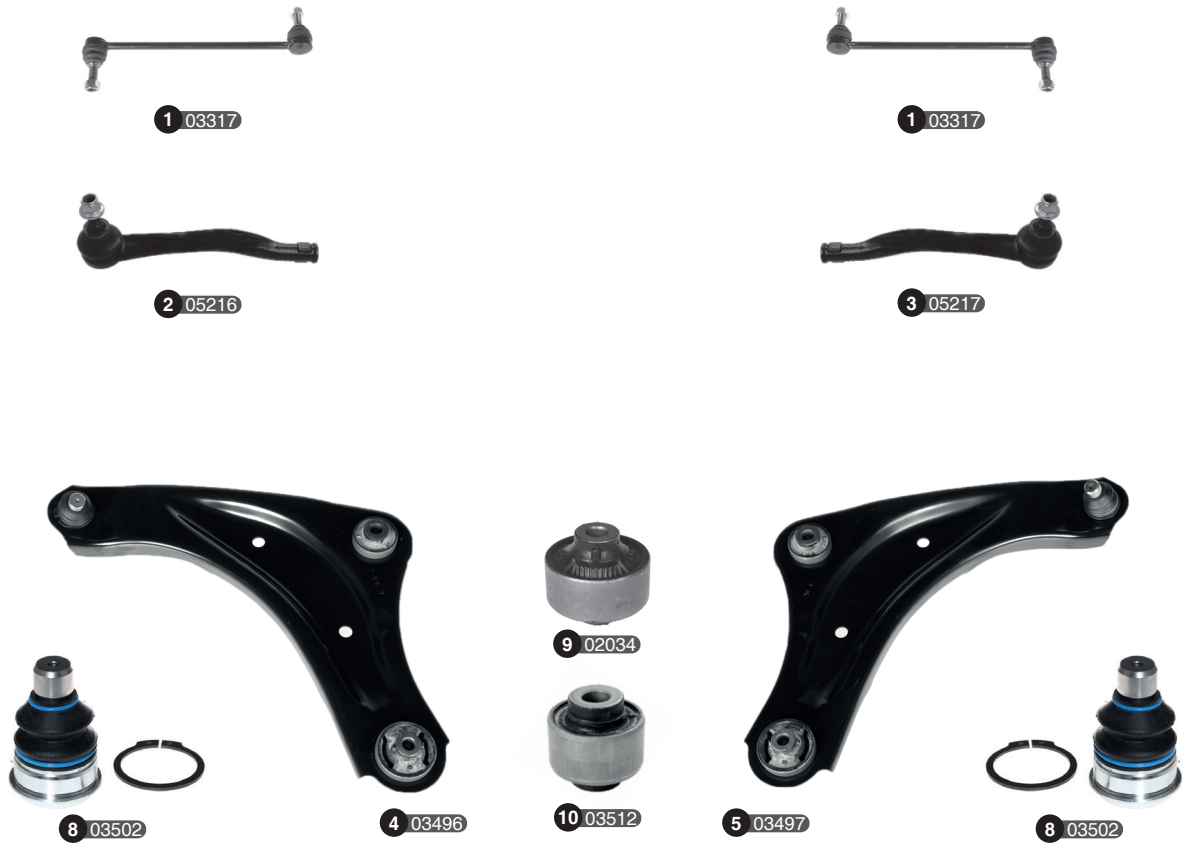
Ref	Old code	CODE	Description	OE - Number	OE - Number	FEATURES	Ref	Old code	CODE	Description	OE - Number	OE - Number	FEATURES
1	NS074	00791	Stabilizer link	5461858Y10	5461858Y60	M10x1,5-174 mm	7	-	03096	Control arm complete-R	545002F500		-
2	NS011	00750	Tie rod end	4852002E26	485209C025	M12x1,25-Female-M12x1,25-88 mm	8	-	03097	Control arm w/o ball joint-L	545012F500	Part of 1	-
3	-	01833	Axial joint	4852150J00	4852172E00	M12x1,5-M14x1,5-273 mm	9	-	03098	Control arm w/o ball joint-R	545002F500	Part of 1	-
4	NS006-L	00746	Control arm complete-L	545252F010	5452586J10	180 mm Upper	10	NS035	00767	Ball joint	4016050A00		M14x1,5
5	NS006-R	00747	Control arm complete-R	545242F010	VSA962U	180 mm Upper	11	NS009	02237	Bushing	5454590J00		-
6	-	03095	Control arm complete-L	545012F500		-	12	NS010	02238	Bushing	5454190J02		-
							13	-	03094	Bushing	5459001E00		Small
							14	-	03099	Bushing-L	545012F500	Part of	Big
							15	-	03100	Bushing-R	545002F500	Part of	Big



Ref	Old code	CODE	Description	OE - Number	OE - Number	FEATURES	Ref	Old code	CODE	Description	OE - Number	OE - Number	FEATURES
1	NS074	00791	Stabilizer link	5461858Y10	5461858Y60	M10x1,5-174 mm	8	-	03097	Control arm w/o ball joint-L	545012F500 Part of 1		-
2	-	05219	Tie rod end	4852001E25	4852050Y25	-	9	-	03098	Control arm w/o ball joint-R	545002F500 Part of 1		-
3	NS048	00781	Axial joint	4852150400	48521Y02G0	M12x1,25-M16x1-276 mm	10	NS035	00767	Ball joint	4016050A00		M14x1,5
4	NS006-L	00746	Control arm complete-L	545252F010	5452586J10	180 mm	11	NS009	02237	Bushing	5454590J00		-
5	NS006-R	00747	Control arm complete-R	545242F010	VSA962U	180 mm	12	NS010	02238	Bushing	5454190J02		-
6	-	03095	Control arm complete-L	545012F500		-	13	-	03094	Bushing	545002F500 Part of 2		Small
7	-	03096	Control arm complete-R	545002F500		-	14	-	03099	Bushing-L	545012F500 Part of		Big
							15	-	03100	Bushing-R	545002F500 Part of		Big



Ref	Old code	CODE	Description	OE - Number	OE - Number	FEATURES	Ref	Old code	CODE	Description	OE - Number	OE - Number	FEATURES
1	-	01831	Stabilizer link	562610E000	562610E000	M10x1,5-90,5 mm	9	-	03103	Control arm complete-R	54500AV605	54500AV606	Lower
2	-	03101	Stabilizer link	56261AW000		Rear	10	-	03108	Control arm complete-L	54525AV600	54525AV601	Upper
3	-	05251	Stabilizer link	56261AV610	56261AV611	Rear	11	-	03109	Control arm complete-R	54524AV600	54524AV601	Upper
4	NS043-L	00775	Stabilizer link-L	54668AU000		M10x1,25-65 mm Front	12	-	03104	Control arm w/o ball joint-L	54501AV605 Part of 1		-
5	NS043-R	00776	Stabilizer link-R	54618AU000		M10x1,25-65 mm Front	13	-	03105	Control arm w/o ball joint-R	54500AV605 Part of 1		-
6	-	05218	Tie rod end	4852073J25		-	14	NS026	02352	Ball joint	54500AV600 Part of		M14x1,5
7	-	01832	Axial joint	49001AV610 Part of		M12x1,25- M18x1,5-279 mm	15	-	03106	Bushing	54500AV605 Part of 2		Big
8	-	03102	Control arm complete-L	54501AV605	54501AV606	Lower	16	-	03107	Bushing	54500AV605 Part of 3		Small



Ref	Old code	CODE	Description	OE - Number	OE - Number	FEATURES	Ref	Old code	CODE	Description	OE - Number	OE - Number	FEATURES
1	-	03317	Stabilizer link	54618BA60A	54618CY00A	M12x1,25-283,5 mm	6	-	03498	Control arm w/o ball joint-L	545011KA0B Part of 1		-
2	-	05216	Tie rod end-L	D86404MA0A		-	7	-	03499	Control arm w/o ball joint-R	545001KA0B Part of 1		-
3	-	05217	Tie rod end-R	D85204MA0A		-	8	-	03502	Ball joint	545001KA0B Part of 3		18
4	-	03496	Control arm complete-L	545011KA0B	545011KK0B	18-343 mm	9	-	02034	Bushing	545001KA0B Part of 5		Big
5	-	03497	Control arm complete-R	545001KA0B	545001KK0B	18-343 mm	10	-	03512	Bushing	545001KA0B Part of 4		Small

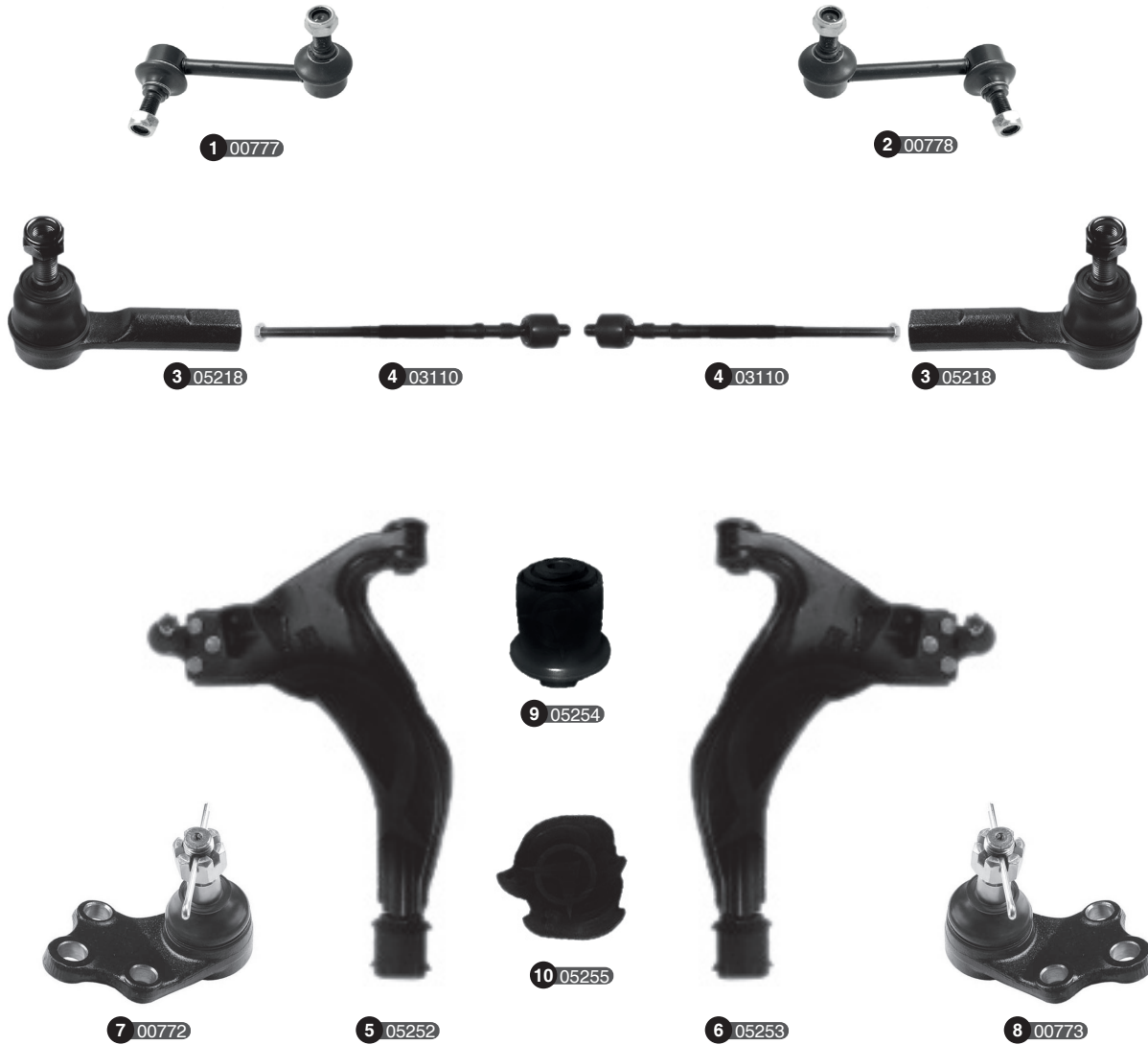


Ref	Old code	CODE	Description	OE - Number	OE - Number	FEATURES	Ref	Old code	CODE	Description	OE - Number	OE - Number	FEATURES
1	-	01956	Stabilizer link-L	546681AA0A	54668JD00A	M12x1,25-300 mm	8	-	01998	Control arm complete-L	54501JD000	545055212R	20-361,2 mm
2	-	01957	Stabilizer link-R	546181AA0A	54618JD00A	M12x1,25-300 mm	9	-	01999	Control arm complete-R	54500JD000	545040445R	20-361,2 mm
3	-	02822	Stabilizer link-L	55619JD00A	55619JY00B	Rear	10	-	02031	Control arm w/o ball joint-L	54501JD000 Part of 1		-
4	-	02823	Stabilizer link-R	55618JD00A	55618JY00B	Rear	11	-	02032	Control arm w/o ball joint-R	54500JD000 Part of 1		-
5	-	01980	Tie rod end-L	48647JD01A	D8F40JG00A	M10x1,25-Female-M14x1,5-181 mm	12	-	02030	Ball joint	545009W20C Part of 3		20
6	-	01981	Tie rod end-R	48527JD01A	D8E20JG00A	M10x1,25-Female-M14x1,5-181 mm	13	-	02033	Bushing	545004CA0A Part of 4		Small
7	-	01950	Axial joint	48001JD900 Part of	D8521JG00A	M14x1,5-M22x1,5-232,7 mm	14	-	02034	Bushing	545001KA0B Part of 5		Big
							15	-	07724	Track Rod-L	551215HA0A	-	-
							16	-	07725	Track Rod-R	551205HA0A	-	-

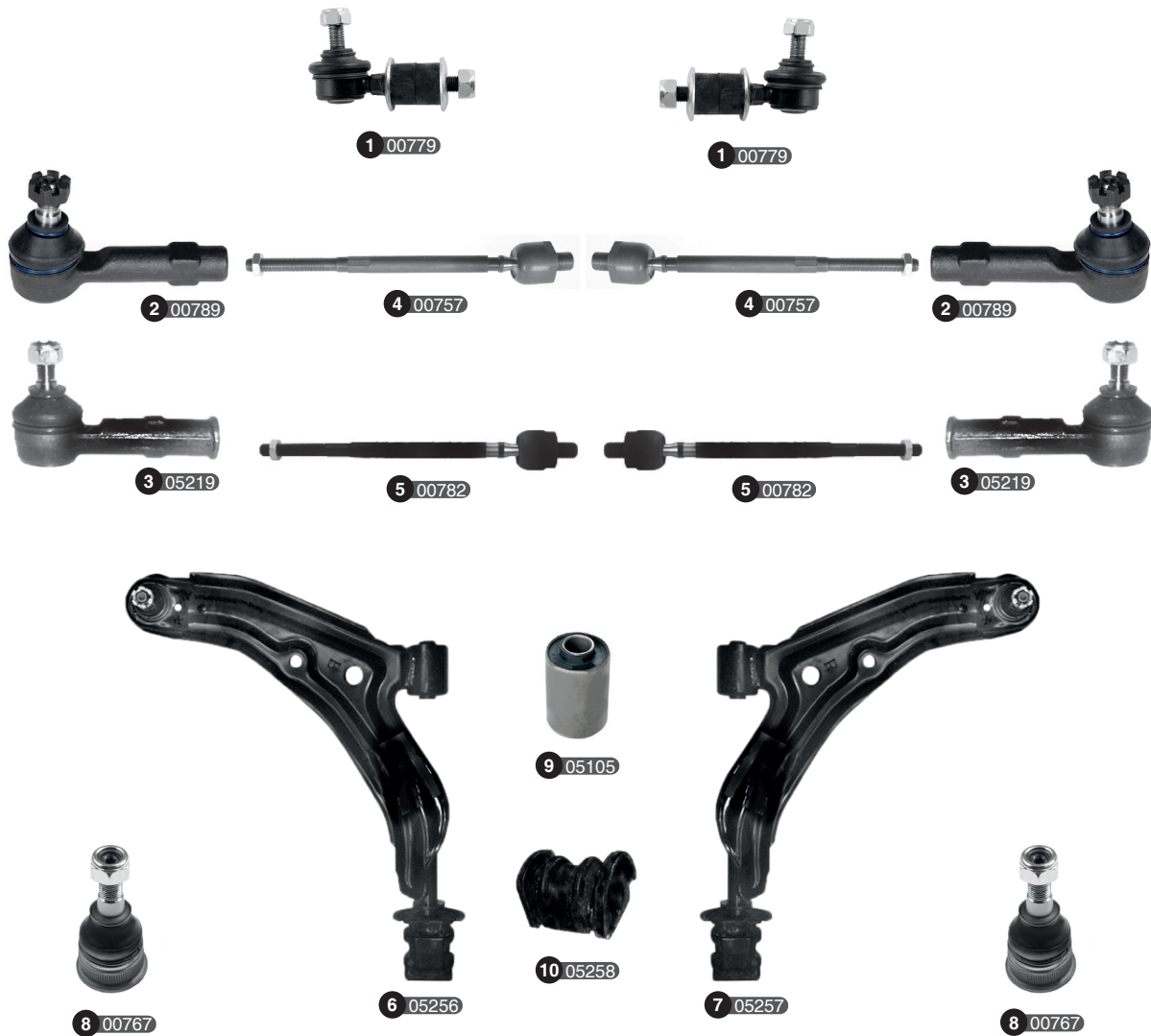


Ref	Old code	CODE	Description	OE - Number	OE - Number	FEATURES	Ref	Old code	CODE	Description	OE - Number	OE - Number	FEATURES
1	-	03317	Stabilizer link	54618BA60A	54618CY00A	M12x1,25-283,5 mm	9	-	03898	Control arm w/o ball joint-L	545014EA0B Part of 1		-
2	-	02822	Stabilizer link-L	55619JD00A	55619JY00B	Rear	10	-	03899	Control arm w/o ball joint-R	545004EA0B Part of 1		-
3	-	02823	Stabilizer link-R	55618JD00A	55618JY00B	Rear	11	-	02030	Ball joint	545009W20C Part of 3		Ø20
4	-	03717	Tie rod end-L		D86404EA0A	-	12	-	03723	Bushing	545004EA0B Part of 4		Big
5	-	03718	Tie rod end-R	485204EA0A	D85204EA0A	-	13	-	03724	Bushing	545004EA0B Part of 5		Small
6	-	03719	Axial joint	485212518R		-	14	-	07724	Track Rod-L	551215HA0A		-
7	-	03720	Control arm complete-L	545014EA0B		-	15	-	07725	Track Rod-R	551205HA0A		-
8	-	03721	Control arm complete-R	545004EA0B		-							

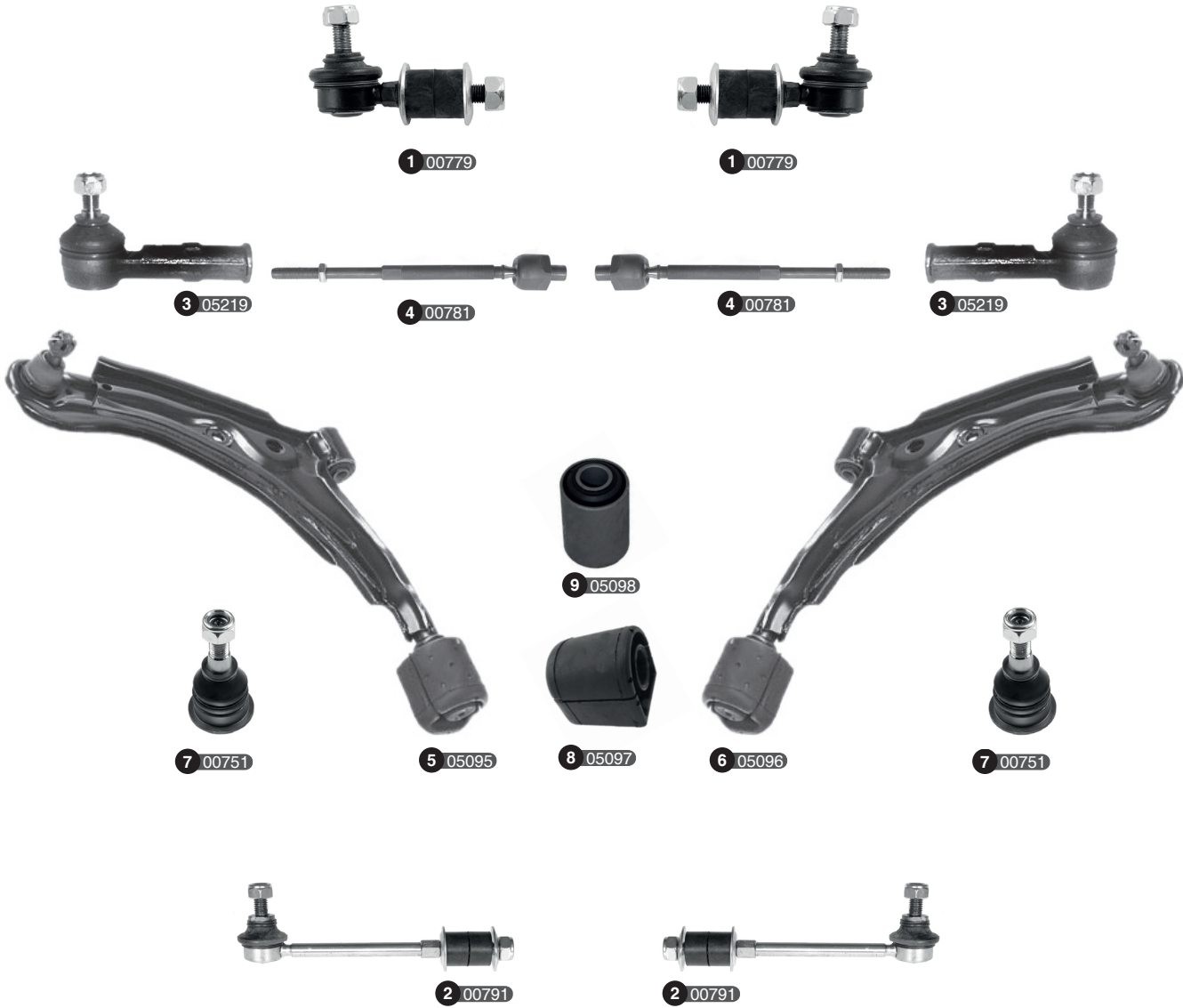




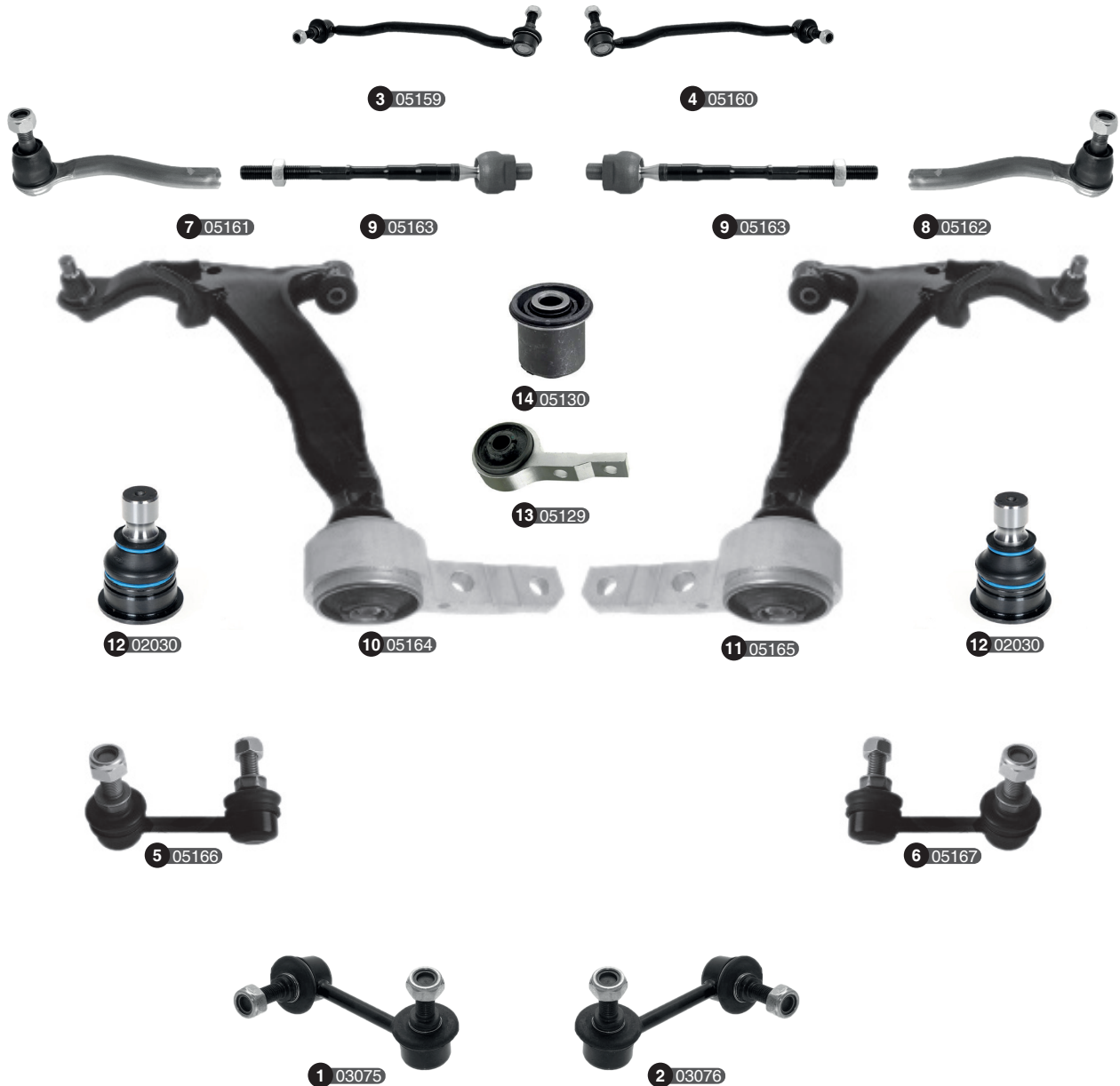
Ref	Old code	CODE	Description	OE - Number	OE - Number	FEATURES	Ref	Old code	CODE	Description	OE - Number	OE - Number	FEATURES
1	NS044-L	00777	Stabilizer link-L	546189C000	546689C000	M12x1,5-113 mm	6	-	05253	Control arm complete-R	545007C350		-
2	NS044-R	00778	Stabilizer link-R	546189C002		M12x1,25-113 mm	7	NS041-L	00772	Ball joint-L	401619C500		-
3	-	05218	Tie rod end	4852073J25		-	8	NS041-R	00773	Ball joint-R	401609C500		-
4	-	03110	Axial joint	X00048		-	9	-	05254	Bushing	545007C350 Part of		Small
5	-	05252	Control arm complete-L	545017C350		-	10	-	05255	Bushing	545007C350 Part of 1		Big



Ref	Old code	CODE	Description	OE – Number	OE – Number	FEATURES	Ref	Old code	CODE	Description	OE – Number	OE – Number	FEATURES
1	NS046	00779	Stabilizer link	5461850Y00	54618D5010	M10x1,25-84,5 mm	6	-	05256	Control arm complete-L	5450150A00		-
2	NS070	00789	Tie rod end	48520D0100	48520D0125	-	7	-	05257	Control arm complete-R	5450050A00		-
3	-	05219	Tie rod end	4852001E25	4852050Y25	-	8	NS035	00767	Ball joint	4016050A00		M14x1,5
4	NS017	00757	Axial joint	4852110A00	48521D0100	M12x1,25-M16x1-259 mm	9	-	05105	Bushing	5456050A00		Small
5	NS051	00782	Axial joint	4852135A00		M12x1,25-M14x1,5-263 mm	10	-	05258	Bushing	5457050A00	5457050A10	Big



Ref	Old code	CODE	Description	OE - Number	OE - Number	FEATURES	Ref	Old code	CODE	Description	OE - Number	OE - Number	FEATURES
1	NS046	00779	Stabilizer link	5461850Y00	54618D5010	M10x1,25-84,5 mm	5	-	05095	Control arm complete-L	5450152Y10	5450169Y10	-
2	NS074	00791	Stabilizer link	5461858Y10	5461858Y60	M10x1,5-174 mm Rear	6	-	05096	Control arm complete-R	5450052Y10	5450069Y10	-
3	-	05219	Tie rod end	4852001E25	4852050Y25	-	7	NS012	00751	Ball joint	4016052Y20	4016152Y10	-
4	NS048	00781	Axial joint	4852150400	48521Y02G0	M12x1,25-M16x1-276 mm	8	-	05097	Bushing	545000M020 Part of1		Big
							9	-	05098	Bushing	5450052Y10 Part of2		Small



Ref	Old code	CODE	Description	OE - Number	OE - Number	FEATURES	Ref	Old code	CODE	Description	OE - Number	OE - Number	FEATURES
1	-	03075	Stabilizer link-L	54668CA010		M10x1,5-85 mm	8	-	05162	Tie rod end-R	485209Y025		-
2	-	03076	Stabilizer link-R	54618CA010		M10x1,5-85 mm	9	-	05163	Axial joint	485219Y026	485219Y027	-
3	-	05159	Stabilizer link-L	54668CN01E		-	10	-	05164	Control arm complete-L	545019W200	545019W50B	-
4	-	05160	Stabilizer link-R	54668CN01E Part of		-	11	-	05165	Control arm complete-R	545009W200	545009W20C	-
5	-	05166	Stabilizer link-L	546689W200		Rear	12	-	02030	Ball joint	545009W20C Part of 3		20
6	-	05167	Stabilizer link-R	546189W200		Rear	13	-	05129	Bushing	545009W200 Part of		Big
7	-	05161	Tie rod end-L	486409Y025	D86409Y025	-	14	-	05130	Bushing	545009W200 Part of 1		Small



Ref	Old code	CODE	Description	OE - Number	OE - Number	FEATURES	Ref	Old code	CODE	Description	OE - Number	OE - Number	FEATURES
1	-	01956	Stabilizer link-L	546681AA0A	54668JD00A	M12x1,25-300 mm	7	-	05153	Axial joint	D8521JA00A		-
2	-	01957	Stabilizer link-R	546181AA0A	54618JD00A	M12x1,25-300 mm	8	-	05154	Control arm complete-L	54501JN00B		-
3	-	05157	Stabilizer link-L	562611AD0B		Rear	9	-	05155	Control arm complete-R	54500JN00B		-
4	-	05158	Stabilizer link-R	562611AD0A		Rear	10	-	05136	Bushing	545001AA0A Part of 1		Small
5	-	04470	Tie rod end-L	D86401AA0A		-	11	-	05156	Bushing	54500JN00B Part of		Big
6	-	04469	Tie rod end-R	D85201AA0A		-							



Ref	Old code	CODE	Description	OE - Number	OE - Number	FEATURES	Ref	Old code	CODE	Description	OE - Number	OE - Number	FEATURES
1	MB015	00643	Stabilizer link	546180F000		M12x1,25-86 mm	4	-	01492	Tie rod end	4852061G25		1993-->
							5	-	01493	Tie rod end	4857061G25		1993-->
2	NS053	00783	Tie rod end	4852031G25	485207F000	-->1993	6	NS036	00768	Ball joint	1954430	VSJ782U	M14x1,5
3	NS054	00784	Tie rod end	485207F001	4857031G25	-->1993	7	-	03082	Ball joint	1954431	4016150W01	-



Ref	Old code	CODE	Description	OE - Number	OE - Number	FEATURES	Ref	Old code	CODE	Description	OE - Number	OE - Number	FEATURES
1	MB015	00643	Stabilizer link	546180F000		M12x1,25-86 mm	5	NS036	00768	Ball joint	1954430	VSJ782U	M14x1,5 Upper
2	NS027	00764	Stabilizer link	562600F001		M10x1,5-215 mm Rear	6	-	03082	Ball joint	1954431	4016150W01	-->1996 Lower
3	NS053	00783	Tie rod end	4852031G25	485207F000	-	7	-	05142	Ball joint	401607F000		1996--> Lower
4	NS054	00784	Tie rod end	485207F001	4857031G25	-							



Ref	Old code	CODE	Description	OE - Number	OE - Number	FEATURES	Ref	Old code	CODE	Description	OE - Number	OE - Number	FEATURES
1	-	02060	Stabilizer link	546181X30A	54618JX30A	M10x1,25-248 mm	6	-	05169	Control arm complete-L	545011JY0A	54501EW000	-
2	-	03077	Stabilizer link	546181X30A Part of		Aluminum	7	-	05170	Control arm complete-R	545001JY0A	54500EW000	-
3	-	01983	Tie rod end-L	485271U61A	D8640EW00A	-	8	-	03502	Ball joint	545001KA0B Part of 3		18
4	-	01982	Tie rod end-R	486471U61A	D8520EW00A	-	9	NS007	00748	Bushing	545701JY0A	8200696437	Big
5	-	05168	Axial joint	485213U025		-	10	RN073	01117	Bushing	54560AX000	8200183569	Small





Ref	Old code	CODE	Description	OE - Number	OE - Number	FEATURES	Ref	Old code	CODE	Description	OE - Number	OE - Number	FEATURES
1	-	01879	Stabilizer link	56261EQ000		M10x1,25-116 mm Rear	6	-	05289	Control arm complete-L	545018H310	545018H31A	-
2	-	01810	Stabilizer link-L	546688H300		M12x1,25-64 mm	7	-	05290	Control arm complete-R	545008H310	545008H31A	-
3	-	01811	Stabilizer link-R	546188H300		M12x1,25-64 mm	8	-	05291	Bushing	545008H310 Part of		Small
4	-	02670	Tie rod end	485200P725	D8520VK90A	-	9	-	05292	Bushing	545008H310 Part of 1		Big
5	-	03111	Axial joint	485218H300	485218H385	-	10	-	05293	Track rod	551108H505		-



Ref	Old code	CODE	Description	OE - Number	OE - Number	FEATURES	Ref	Old code	CODE	Description	OE - Number	OE - Number	FEATURES
1	-	01956	Stabilizer link-L	546681AA0A	54668JD00A	M12x1,25-300 mm	8	-	01998	Control arm complete-L	54501JD000	545055212R	Ø20-361,2 mm
2	-	01957	Stabilizer link-R	546181AA0A	54618JD00A	M12x1,25-300 mm	9	-	01999	Control arm complete-R	54500JD000	545040445R	Ø20-361,2 mm
3	-	02822	Stabilizer link-L	55619JD00A	55619JY00B	Rear	10	-	02031	Control arm w/o ball joint-L	54501JD000 Part of 1		-
4	-	02823	Stabilizer link-R	55618JD00A	55618JY00B	Rear	11	-	02032	Control arm w/o ball joint-R	54500JD000 Part of 1		-
5	-	01980	Tie rod end-L	48647JD01A	D8F40JG00A	M10x1,25-Female-M14x1,5-181 mm	12	-	02030	Ball joint	545009W20C Part of 3		Ø20
6	-	01981	Tie rod end-R	48527JD01A	D8E20JG00A	M10x1,25-Female-M14x1,5-181 mm	13	-	02033	Bushing	545004CA0A Part of 4		Small
							14	-	02034	Bushing	545001KA0B Part of 5		Big
7	-	01950	Axial joint	48001JD900 Part of	D8521JG00A	M14x1,5-M22x1,5-232,7 mm	15	-	07724	Track Rod-L	551215HA0A	-	-
							16	-	07725	Track Rod-R	551205HA0A	-	-



Ref	Old code	CODE	Description	OE - Number	OE - Number	FEATURES	Ref	Old code	CODE	Description	OE - Number	OE - Number	FEATURES
1	-	01956	Stabilizer link-L	546681AA0A	54668JD00A	M12x1,25-300 mm	8	-	05287	Control arm complete-L	545014CA0A		-
2	-	01957	Stabilizer link-R	546181AA0A	54618JD00A	M12x1,25-300 mm	9	-	05288	Control arm complete-R	545004CA0A		-
3	-	02822	Stabilizer link-L	55619JD00A	55619JY00B	Rear	10	-	02030	Ball joint	545009W20C Part of 3		Ø20
4	-	02823	Stabilizer link-R	55618JD00A	55618JY00B	Rear	11	-	02033	Bushing	545004CA0A Part of 4		Small
5	-	05284	Tie rod end-L	D86404BA0A		-	12	-	02034	Bushing	545001KA0B Part of 5		Big
6	-	05285	Tie rod end-R	D85204BA0A		-	13	-	07724	Track Rod-L	551215HA0A		-
7	-	05286	Axial joint	D85214BA0A		-	14	-	07725	Track Rod-R	551205HA0A		-



Ref	Old code	CODE	Description	OE - Number	OE - Number	FEATURES	Ref	Old code	CODE	Description	OE - Number	OE - Number	FEATURES
1	NS036	00768	Ball joint	1954430	VSJ782U	M14x1,5	2	-	02301	Ball joint	4016001G25	4016001G90	Lower



1 05230  
4X4



1 05230  
4X4



2 05231  
2X4



2 05231  
2X4

2X4



3 05232



4 03083

5 03084

5 03084

4 03083

4X4



6 05233



7 02670



8 03088



8 03088



7 02670



Ref	Old code	CODE	Description	OE - Number	OE - Number	FEATURES	Ref	Old code	CODE	Description	OE - Number	OE - Number	FEATURES
1	-	05230	Stabilizer link	5461802	5461802E00	-	5	-	03084	Tie rod end	485212S425	D8521VK91A	-
2	-	05231	Stabilizer link	5461801G00	5461801G0A	-	6	-	05233	CROSS ROD	485603S525	D8560VK90A	-
3	-	05232	CROSS ROD	485603S125	485603S185	-	7	-	02670	Tie rod end	485200P725	D8520VK90A	-
4	-	03083	Tie rod end	485202S425	D8520VK91A	-	8	-	03088	Tie rod end	485703S525	-	-



1 00779



1 00779



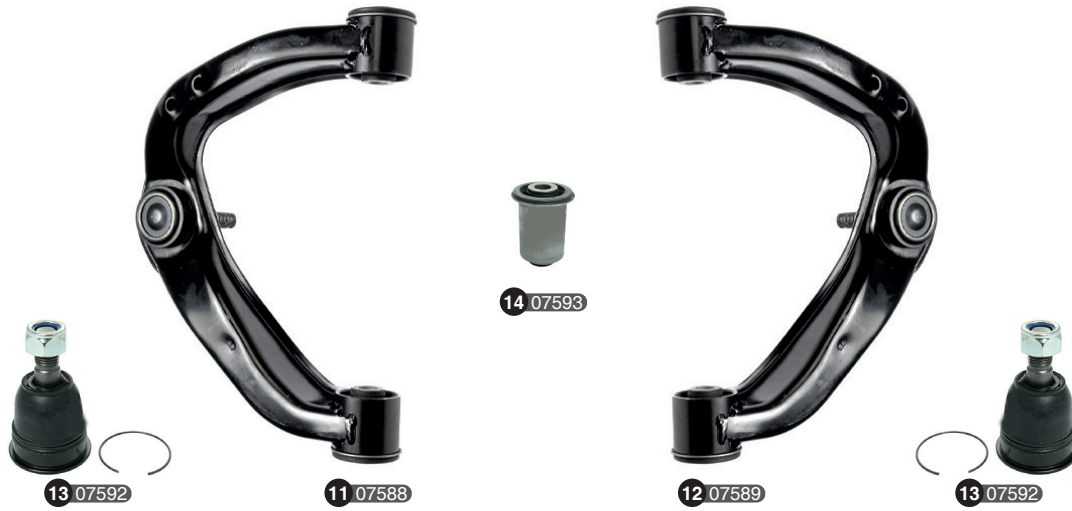
2 00765

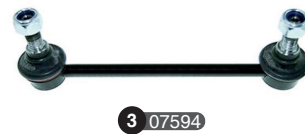
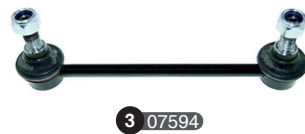


2 00765



Ref	Old code	CODE	Description	OE - Number	OE - Number	FEATURES	Ref	Old code	CODE	Description	OE - Number	OE - Number	FEATURES
1	NS046	00779	Stabilizer link	5461850Y00	54618D5010	M10x1,25-84,5 mm	2	NS030	00765	Ball joint	4016001E00	54500330R10	-





Ref	Old code	CODE	Description	OE - Number	OE - Number	FEATURES	Ref	Old code	CODE	Description	OE - Number	OE - Number	FEATURES
1	-	07577	STABILIZER LINK-LH	4703202200	546684KH0A	-	8	-	07583	CONTROL ARM-RH (UPPER) (COMPLETE)	545244KH0A	-	-
2	-	07578	STABILIZER LINK-RH	4703202300	546184KH0A	-	9	-	07586	BALL JOINT (UPPER)	4703301300 PART OF	4703301500 PART OF	-
3	-	07594	STABILIZER LINK (REAR)	4703260100	562614KH0A	-	10	-	07587	BUSHING	4703301300 PART OF 1	4703301500 PART OF 1	-
4	-	07579	TIE ROD END-LH	486404JA0A	D86404JA0A	-	11	-	07588	CONTROL ARM-LH (LOWER) (COMPLETE)	455014KH4A	545014KH1A	-
5	-	07580	TIE ROD END-RH	485204JA0A	D85204JA0A	-	12	-	07589	CONTROL ARM-RH (LOWER) (COMPLETE)	545004KH1A	545004KH4A	-
6	-	07581	AXIAL JOINT	490014JD1B PART OF	-	-	13	-	07592	BALL JOINT (LOWER)	545004KH1A PART OF 2	545014KH1A PART OF 2	-
7	-	07582	CONTROL ARM-LH (UPPER) (COMPLETE)	545254KH0A	-	-	14	-	07593	BUSHING	545004KH1A PART OF 1	545014KH1A PART OF 1	-





Ref	Old code	CODE	Description	OE - Number	OE - Number	FEATURES	Ref	Old code	CODE	Description	OE - Number	OE - Number	FEATURES
1	-	03317	STABILIZER LINK	54618BA60A	54618CY00A	283,5 -	6	-	07808	CONTROL ARM-LH (LOWER) (COMPLETE)	545014DA0A	-	-
2	-	03503	TIE ROD END-LH	486404FJ0A	D86401KA0A	14,5 - 192	7	-	07809	CONTROL ARM-RH (LOWER) (COMPLETE)	545004DA0A	-	-
3	-	03504	TIE ROD END-RH	485204FJ0A	D85201KA0A	14,5 - 192	8	-	02034	BUSHING	545001KA0B PART OF 5	545004CA0A PART OF 5	-
4	-	07807	AXIAL JOINT	485213SG1A	-	-	9	-	03502	BALL JOINT (LOWER)	545001KA0B PART OF 3	545001KK0A PART OF 3	18 -
5	-	03512	BUSHING	545001KA0B PART OF 4	545001KK0A PART OF 4	14,2 -							