



MITSUBISHI



Ref	Old code	CODE	Description	OE – Number	OE – Number	FEATURES	Ref	Old code	CODE	Description	OE – Number	OE – Number	FEATURES
1	-	02085	STABILIZER LINK	1610930380	508758	- 265	8	-	02162	BUSHING	1609910680	1612448580	-
2	-	02163	STABILIZER LINK-LH (REAR)	517848	-	- 80	9	-	03933	CONTROL ARM-LH (LOWER) (COMPLETE)	1612753380	4013A443	-
3	-	02164	STABILIZER LINK-RH (REAR)	517849	MN184194	- 80	10	-	03934	CONTROL ARM-RH (LOWER) (COMPLETE)	1612753580	4013A444	-
4	-	03935	TIE ROD END	1607502480	4422A002	-	11	-	03937	TRACK ROD (REAR)	1607498780	4117A005	-
5	-	03936	AXIAL JOINT	1607502580	1608532180 PART OF 1	-	12	-	03938	TRACK ROD (REAR)	1609913480	1612754780	-
6	-	02158	BALL JOINT (LOWER)	3520V0 PART OF 1	3520X9 PART OF 1	-	13	-	03939	TRACK ROD (REAR)	1607498380	MN184100	-
7	-	02161	BUSHING	1612753380 PART OF	1612753580 PART OF	Ø14,2 - 59,7	14	-	04774	TRACK ROD	4110A085	5175EH	-





Ref	Old code	CODE	Description	OE - Number	OE - Number	FEATURES	Ref	Old code	CODE	Description	OE - Number	OE - Number	FEATURES
1	MB045	00662	STABILIZER LINK (ARKA)	MR272117	-	- 75	8	VOL13	01351	BALL JOINT (LOWER)	30821650 PART OF 4	30821651 PART OF 4	-
2	-	01678	STABILIZER LINK	MR272116	-	- 200	9	-	02437	BUSHING-LH	30872510	MB808909	-
3	-	01724	STABILIZER LINK	MB241974	MR392730	- 140	10	-	02438	BUSHING-RH	30872511	MB808910	-
4	VOL05	01341	TIE ROD END	30875012	3817A6	- 77	11	-	02439	BUSHING	30818467	3520Y5 PART OF 3	-
5	-	01506	AXIAL JOINT	MB244901	MR244901	- 304	12	-	03042	CONTROL ARM-LH (LOWER) (COMPLETE)	MN133617	MR179479	-
6	VOL12-L	01349	CONTROL ARM-LH (LOWER) (COMPLETE)	30821651	30863988	-	13	-	03043	CONTROL ARM-RH (LOWER) (COMPLETE)	MN133618	MR179480	-
7	VOL12-R	01350	CONTROL ARM-RH (LOWER) (COMPLETE)	30864209	30883989	-							





2 01724



2 01724



3 01341



4 01624



4 01624



3 01341



8 07466



7 02439



9 07467



10 07468



10 07468



5 02437



6 02438



1 01380



1 01380



Ref	Old code	CODE	Description	OE - Number	OE - Number	FEATURES	Ref	Old code	CODE	Description	OE - Number	OE - Number	FEATURES
1	VOL50	01380	STABILIZER LINK (ARKA)	30852103	30873101	- 108,5	6	-	02438	BUSHING-RH	30872511	MB808910	-
2	-	01724	STABILIZER LINK	MB241974	MR392730	- 140	7	-	02439	BUSHING	30818467	3520Y5 PART OF 3	-
3	VOL05	01341	TIE ROD END	30875012	3817A6	- 77	8	-	07466	CONTROL ARM-LH (LOWER) (COMPLETE)	MR911570	MR916133	-
4	-	01624	AXIAL JOINT	MR403027	-	- 316	9	-	07467	CONTROL ARM-RH (LOWER) (COMPLETE)	MR911569	MR916134	-
5	-	02437	BUSHING-LH	30872510	MB808909	-	10	-	07468	BALL JOINT (LOWER)	MR911569 PART OF	MR911570 PART OF	-



Ref	Old code	CODE	Description	OE - Number	OE - Number	FEATURES	Ref	Old code	CODE	Description	OE - Number	OE - Number	FEATURES
1	HD044	00533	TIE ROD END	5682021000	5682021100	-	2	MB023	00651	AXIAL JOINT	MB122135	-	- 299



Ref	Old code	CODE	Description	OE - Number	OE - Number	FEATURES	Ref	Old code	CODE	Description	OE - Number	OE - Number	FEATURES
1	HD074	00557	STABILIZER LINK	4056A014	MB573043	- 61	4	MB021	00649	AXIAL JOINT	MB350718	MB501530	- 273
2	VOL05	01341	TIE ROD END	30875012	3817A6	- 77	5	HD022	00516	BALL JOINT (LOWER)	5450322000	5450322A00	Ø17 -
3	MB020	00648	AXIAL JOINT	MB347666	MB532046	- 277							



Ref	Old code	CODE	Description	OE - Number	OE - Number	FEATURES	Ref	Old code	CODE	Description	OE - Number	OE - Number	FEATURES
1	HD074	00557	STABILIZER LINK	4056A014	MB573043	- 61	4	-	01620	AXIAL JOINT	MB130807	MB910934	- 309
2	VOL05	01341	TIE ROD END	30875012	3817A6	- 77	5	HD022	00516	BALL JOINT (LOWER)	5450322000	5450322A00	Ø17 -
3	MB022	00650	AXIAL JOINT	MB553249	-	- 298							



Ref	Old code	CODE	Description	OE - Number	OE - Number	FEATURES	Ref	Old code	CODE	Description	OE - Number	OE - Number	FEATURES
1	MB001	00633	STABILIZER LINK (REAR)	4056A021	MB809354	- 75	7	MB043-R	00661	CONTROL ARM-RH (LOWER) (COMPLETE)	MB907164	MB912078	-
2	-	01724	STABILIZER LINK	MB241974	MR392730	- 140	8	HD022	00516	BALL JOINT (LOWER)	5450322000	5450322A00	Ø17 -
3	-	01792	STABILIZER LINK (REAR)	MB809355	PW521020	-	9	-	02437	BUSHING-LH	30872510	MB808909	-
4	VOL05	01341	TIE ROD END	30875012	3817A6	- 77	10	-	02438	BUSHING-RH	30872511	MB808910	-
5	-	01620	AXIAL JOINT	MB130807	MB910934	- 309	11	-	02439	BUSHING	30818467	3520Y5 PART OF 3	-
6	MB043-L	00660	CONTROL ARM-LH (LOWER) (COMPLETE)	MB907163	MB912077	-							

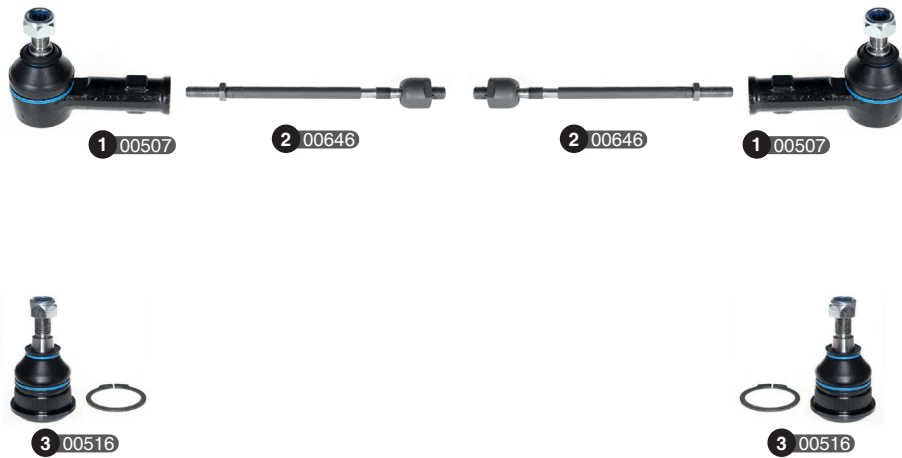




Ref	Old code	CODE	Description	OE - Number	OE - Number	FEATURES	Ref	Old code	CODE	Description	OE - Number	OE - Number	FEATURES
1	-	01823	STABILIZER LINK	4056A161	MR241349	- 130	5	-	02437	BUSHING-LH	30872510	MB808909	-
2	VOL05	01341	TIE ROD END	30875012	3817A6	- 77	6	-	02438	BUSHING-RH	30872511	MB808910	-
3	-	01620	AXIAL JOINT	MB130807	MB910934	- 309	7	-	02439	BUSHING	30818467	3520Y5 PART OF 3	-
4	-	07464	BALL JOINT (LOWER)	MR241341 PART OF	MR241342 PART OF	-							



Ref	Old code	CODE	Description	OE - Number	OE - Number	FEATURES	Ref	Old code	CODE	Description	OE - Number	OE - Number	FEATURES
1	-	07535	STABILIZER LINK	4056A052	-	-	5	-	04473	CONTROL ARM-RH (LOWER) (COMPLETE)	4013A150	4543300807	-
2	-	01908	TIE ROD END	4544600205	MR977606	- 72	6	-	04476	BALL JOINT (LOWER)	4543300707 PART OF	4543300807 PART OF	-
3	-	04475	AXIAL JOINT	4544600000 PART OF	4544600400 PART OF	-	7	-	04480	BUSHING	4543300707 PART OF 2	4543300807 PART OF 2	-
4	-	04472	CONTROL ARM-LH (LOWER) (COMPLETE)	4013A135	4543300707	-	8	-	04481	BUSHING	4543300707 PART OF 3	4543300807 PART OF 3	-



Ref	Old code	CODE	Description	OE - Number	OE - Number	FEATURES	Ref	Old code	CODE	Description	OE - Number	OE - Number	FEATURES
1	HD014	00507	TIE ROD END	5682036000	MB192430	Ø15,1 - 74	3	HD022	00516	BALL JOINT (LOWER)	5450322000	5450322A00	Ø17 -
2	MB017	00646	AXIAL JOINT	MB266152	MB315160	- 296							



Ref	Old code	CODE	Description	OE - Number	OE - Number	FEATURES	Ref	Old code	CODE	Description	OE - Number	OE - Number	FEATURES
1	HD014	00507	TIE ROD END	5682036000	MB192430	Ø15,1 - 74	2	HD022	00516	BALL JOINT (LOWER)	5450322000	5450322A00	Ø17 -



Ref	Old code	CODE	Description	OE - Number	OE - Number	FEATURES	Ref	Old code	CODE	Description	OE - Number	OE - Number	FEATURES
1	-	01655	STABILIZER LINK	MB892981	-	- 120	3	HD014	00507	TIE ROD END	5682036000	MB192430	Ø15,1 - 74
2	HD074	00557	STABILIZER LINK (REAR)	4056A014	MB573043	- 61	4	-	01575	AXIAL JOINT	MB949343	MR333166	- 234

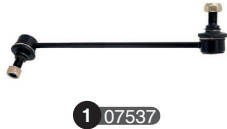


4 01575

4 01575



Ref	Old code	CODE	Description	OE - Number	OE - Number	FEATURES	Ref	Old code	CODE	Description	OE - Number	OE - Number	FEATURES
1	-	01655	STABILIZER LINK	MB892981	-	- 120	3	HD014	00507	TIE ROD END	5682036000	MB192430	Ø15,1 - 74
2	-	01905	STABILIZER LINK (REAR)	MB131732	MB631890	-	4	-	01575	AXIAL JOINT	MB949343	MR333166	- 234



Ref	Old code	CODE	Description	OE - Number	OE - Number	FEATURES	Ref	Old code	CODE	Description	OE - Number	OE - Number	FEATURES
1	-	07537	STABILIZER LINK-LH	MR594339	-	-	3	-	02159	TIE ROD END	381774	4422A018	-
2	-	07538	STABILIZER LINK-RH	MR594340	-	-	4	-	07536	AXIAL JOINT	4422A077	-	-



Ref	Old code	CODE	Description	OE - Number	OE - Number	FEATURES	Ref	Old code	CODE	Description	OE - Number	OE - Number	FEATURES
1	-	04768	STABILIZER LINK-LH	4056A065	508780	-	6	-	04762	CONTROL ARM-RH (LOWER) (COMPLETE)	3521V6	4013A046	-
2	-	04769	STABILIZER LINK-RH	4056A066	508781	-	7	-	04765	BUSHING	3520Y5 PART OF 2	3521V6 PART OF 2	-
3	VOL05	01341	TIE ROD END	30875012	3817A6	- 77	8	-	02439	BUSHING	30818467	3520Y5 PART OF 3	-
4	-	04767	AXIAL JOINT	3812G6	4422A035	-	9	-	04766	BALL JOINT (LOWER)	3520Y5 PART OF 4	3521V6 PART OF 4	-
5	-	04761	CONTROL ARM-LH (LOWER) (COMPLETE)	3520Y5	4013A045	-							



1 07481



2 07482



3 02382



5 02533



4 02383



7 07483



10 07490



8 07484



9 07489



9 07489



11 07491



6 05053



12 07492



13 02381



13 02381



Ref	Old code	CODE	Description	OE – Number	OE – Number	FEATURES	Ref	Old code	CODE	Description	OE – Number	OE – Number	FEATURES
1	-	07481	STABILIZER LINK-LH	4056A198	6000605889	-	8	-	07484	CONTROL ARM-RH (LOWER) (COMPLETE)	4010A114	4010A148	-
2	-	07482	STABILIZER LINK-RH	4056A199	6000605890	-	9	-	07489	BALL JOINT (LOWER)	4010A113 PART OF 2	4010A114 PART OF 2	-
3	-	02382	TIE ROD END-LH	4422A009	4422A096	-	10	-	07490	BUSHING	4010A113 PART OF 3	4010A114 PART OF 3	-
4	-	02383	TIE ROD END-RH	4422A010	4422A097	-	11	-	07491	CONTROL ARM-LH (LOWER) (COMPLETE)	4013A405	4013A471	-
5	-	02533	AXIAL JOINT	4410A173	6000609635	- 200	12	-	07492	CONTROL ARM-RH (LOWER) (COMPLETE)	4013A406	4013A472	-
6	-	05053	BUSHING	6000609549	MR992256	-	13	-	02381	BALL JOINT (LOWER)	4013A090	4013A314	-
7	-	07483	CONTROL ARM-LH (LOWER) (COMPLETE)	4010A113	4010A147	-							





Ref	Old code	CODE	Description	OE - Number	OE - Number	FEATURES	Ref	Old code	CODE	Description	OE - Number	OE - Number	FEATURES
1	MB031	00652	TIE ROD END	5681011000	5681011060	-	3	MB005	00636	BALL JOINT (UPPER)	MB176309	MB241155	Ø18,2 -
2	HD041	00530	BALL JOINT (LOWER)	MB175812	MB176273	Ø22,3 -							



Ref	Old code	CODE	Description	OE - Number	OE - Number	FEATURES	Ref	Old code	CODE	Description	OE - Number	OE - Number	FEATURES	
1	MB031	00652	TIE ROD END	5681011000	5681011060	-	3	-	01632	BALL JOINT (UPPER)	MB527159 PART OF	MB52751101	-	
2	HD041	00530	BALL JOINT (LOWER)	MB175812	MB176273	Ø22,3 -								



1 03046



1 03046



2 07517



2 07517



3 07518



4 07519



5 07520



5 07520



6 07521



9 07524



7 07522



8 07523



8 07523



Ref	Old code	CODE	Description	OE - Number	OE - Number	FEATURES	Ref	Old code	CODE	Description	OE - Number	OE - Number	FEATURES
1	-	03046	TIE ROD END	MR241031	-	-	6	-	07521	CONTROL ARM-LH (LOWER) (COMPLETE)	MR241025	MR296027	-
2	-	07517	TIE ROD END	MR241032	-	-	7	-	07522	CONTROL ARM-RH (LOWER) (COMPLETE)	MR241026	MR296028	-
3	-	07518	CONTROL ARM-LH (UPPER) (COMPLETE)	MR241023	-	-	8	-	07523	BALL JOINT (LOWER)	MR241027	-	-
4	-	07519	CONTROL ARM-RH (UPPER) (COMPLETE)	MR241024	-	-	9	-	07524	BUSHING	MR132039	MR418959	-
5	-	07520	BALL JOINT (ST)	MR241023 PART OF	MR241024 PART OF	-							



6 04793



7 04794



8 04797



9 04798



Ref	Old code	CODE	Description	OE - Number	OE - Number	FEATURES	Ref	Old code	CODE	Description	OE - Number	OE - Number	FEATURES
1	-	01943	STABILIZER LINK-LH	4056A192	MR992309	- 65	7	-	04794	CONTROL ARM-RH (UPPER) (COMPLETE)	4010A014	4010A104	-
2	-	01944	STABILIZER LINK-RH	4056A193	MR992310	- 65	8	-	04797	CONTROL ARM-LH (LOWER) (COMPLETE)	4013A087	4013A329	-
3	-	02382	TIE ROD END-LH	4422A009	4422A096	-	9	-	04798	CONTROL ARM-RH (LOWER) (COMPLETE)	4013A088	4013A330	-
4	-	02383	TIE ROD END-RH	4422A010	4422A097	-	10	-	02381	BALL JOINT (LOWER)	4013A090	4013A314	-
5	-	02533	AXIAL JOINT	4410A173	6000609635	- 200	11	-	05053	BUSHING	6000609549	MR992256	-
6	-	04793	CONTROL ARM-LH (UPPER) (COMPLETE)	4010A013	4010A103	-	12	-	01942	BALL JOINT (UPPER)	4010A015	4010A099	-





Ref	Old code	CODE	Description	OE - Number	OE - Number	FEATURES	Ref	Old code	CODE	Description	OE - Number	OE - Number	FEATURES
1	MB037	00656	TIE ROD END	HB568120	MB241171	-	3	-	01632	BALL JOINT (UPPER)	MB527159 PART OF	MB52751101	-
2	MB038	00657	TIE ROD END	HB568110	MB241206	-	4	MB009	00638	BALL JOINT (LOWER)	MB176308	-	Ø21,9 -



1 07471



1 07471



2 00657



2 00657



3 00658



3 00658



4 07472



6 07476



5 07473



9 00639



9 00639



10 00640



7 07479



8 07480



11 00641



Ref	Old code	CODE	Description	OE - Number	OE - Number	FEATURES	Ref	Old code	CODE	Description	OE - Number	OE - Number	FEATURES
1	-	07471	STABILIZER LINK	MR151937 PART OF	MR267643 PART OF	-	6	-	07476	BUSHING	MB633820 PART OF	MR184880 PART OF	-
2	MB038	00657	TIE ROD END	HB568110	MB241206	-	7	-	07479	BUSHING	MB109684	-	-
3	MB039	00658	TIE ROD END	MB831043	-	Ø15,9 - 110	8	-	07480	BUSHING	MB633870	-	-
4	-	07472	CONTROL ARM-LH (UPPER) (COMPLETE)	MR124879	MR296093	-	9	MB010	00639	BALL JOINT (UPPER)	MB860829	MB860830	-
5	-	07473	CONTROL ARM-RH (UPPER) (COMPLETE)	MB831036	MR124880	-	10	MB012-L	00640	BALL JOINT-LH (LOWER)	MB831037	MR296269	-
							11	MB012-R	00641	BALL JOINT-RH (LOWER)	MB831038	-	-





Ref	Old code	CODE	Description	OE - Number	OE - Number	FEATURES	Ref	Old code	CODE	Description	OE - Number	OE - Number	FEATURES
1	-	05057	STABILIZER LINK (REAR)	MB598098	-	-	8	-	04794	CONTROL ARM-RH (UPPER) (COMPLETE)	4010A014	4010A104	-
2	-	01943	STABILIZER LINK-LH	4056A192	MR992309	- 65	9	-	04797	CONTROL ARM-LH (LOWER) (COMPLETE)	4013A087	4013A329	-
3	-	01944	STABILIZER LINK-RH	4056A193	MR992310	- 65	10	-	04798	CONTROL ARM-RH (LOWER) (COMPLETE)	4013A088	4013A330	-
4	-	02382	TIE ROD END-LH	4422A009	4422A096	-	11	-	01942	BALL JOINT (UPPER)	4010A015	4010A099	-
5	-	02383	TIE ROD END-RH	4422A010	4422A097	-	12	-	02381	BALL JOINT (LOWER)	4013A090	4013A314	-
6	-	02533	AXIAL JOINT	4410A173	6000609635	- 200	13	-	05053	BUSHING	6000609549	MR992256	-
7	-	04793	CONTROL ARM-LH (UPPER) (COMPLETE)	4010A013	4010A103	-							





Ref	Old code	CODE	Description	OE - Number	OE - Number	FEATURES	Ref	Old code	CODE	Description	OE - Number	OE - Number	FEATURES
1	HD044	00533	TIE ROD END	5682021000	5682021100	-	3	HD041	00530	BALL JOINT (LOWER)	MB175812	MB176273	Ø22,3 -
2	MB005	00636	BALL JOINT (UPPER)	MB176309	MB241155	Ø18,2 -							



Ref	Old code	CODE	Description	OE - Number	OE - Number	FEATURES	Ref	Old code	CODE	Description	OE - Number	OE - Number	FEATURES
1	HD039	00528	TIE ROD END	568204A600	5687243000	Ø16 - 75	2	HD042	00531	BALL JOINT (UPPER)	5441743A00	5441743A01	Ø20,2 -



Ref	Old code	CODE	Description	OE - Number	OE - Number	FEATURES
1	MB006	00637	BALL JOINT (UPPER)	MB002476	-	-



Ref	Old code	CODE	Description	OE - Number	OE - Number	FEATURES	Ref	Old code	CODE	Description	OE - Number	OE - Number	FEATURES
1	HD039	00528	TIE ROD END	568204A600	5687243000	Ø16 - 75	5	HD043	00532	BALL JOINT (LOWER)	5451043150 PART OF	5451043151 PART OF	Ø22 -
2	MB017	00646	AXIAL JOINT	MB266152	MB315160	- 296	6	HD046-L	00534	CONTROL ARM-LH (LOWER) (COMPLETE)	5451043150	5451043151	Ø22 -
3	MB019	00647	AXIAL JOINT	MB532971	MR210221	- 290	7	HD046-R	00535	CONTROL ARM-RH (LOWER) (COMPLETE)	5454043150	5454043151	Ø22 -
4	HD042	00531	BALL JOINT (UPPER)	5441743A00	5441743A01	Ø20,2 -							



Ref	Old code	CODE	Description	OE - Number	OE - Number	FEATURES	Ref	Old code	CODE	Description	OE - Number	OE - Number	FEATURES
1	MB037	00656	TIE ROD END	HB568120	MB241171	-	3	MB005	00636	BALL JOINT (UPPER)	MB176309	MB241155	Ø18,2 -
2	MB038	00657	TIE ROD END	HB568110	MB241206	-	4	MB009	00638	BALL JOINT (LOWER)	MB176308	-	Ø21,9 -



Ref	Old code	CODE	Description	OE - Number	OE - Number	FEATURES	Ref	Old code	CODE	Description	OE - Number	OE - Number	FEATURES
1	HD001	00495	STABILIZER LINK	548304A000	548304A002	- 55,5	6	-	07513	CONTROL ARM-RH (UPPER) (COMPLETE)	MR162688	MR273684	-
2	HD013	00506	STABILIZER LINK (REAR)	555304A000	555304A001	- 63	7	-	07514	BALL JOINT (UPPER)	MR178817	MR241623	-
3	-	07510	TIE ROD END	MR162710	-	-	8	-	07515	CONTROL ARM-LH (LOWER) (COMPLETE)	MR162693	-	-
4	-	07511	AXIAL JOINT	MR151970	-	-	9	-	07516	CONTROL ARM-RH (LOWER) (COMPLETE)	MR162694	-	-
5	-	07512	CONTROL ARM-LH (UPPER) (COMPLETE)	MR162687	MR273683	-	10	HD012	00505	BALL JOINT (LOWER)	545304A000	545304AA00	Ø22 -





2 07504



2 07504



3 07510

4 07505

4 07505

3 07510



5 07506



6 07507



7 07514



7 07514



8 07508



9 07509



1 00506



1 00506



Ref	Old code	CODE	Description	OE – Number	OE – Number	FEATURES	Ref	Old code	CODE	Description	OE – Number	OE – Number	FEATURES
1	HD013	00506	STABILIZER LINK (REAR)	555304A000	555304A001	- 63	6	-	07507	CONTROL ARM-RH (UPPER) (COMPLETE)	MR162692	MR273688	-
2	-	07504	STABILIZER LINK	MR150705	MR267874	-	7	-	07514	BALL JOINT (UPPER)	MR178817	MR241623	-
3	-	07510	TIE ROD END	MR162710	-	-	8	-	07508	BALL JOINT-LH (LOWER)	MR208663	-	-
4	-	07505	AXIAL JOINT	MR151971	-	-	9	-	07509	BALL JOINT-RH (LOWER)	MR208664	-	-
5	-	07506	CONTROL ARM-LH (UPPER) (COMPLETE)	MR162689	MR273687	-							





Ref	Old code	CODE	Description	OE - Number	OE - Number	FEATURES	Ref	Old code	CODE	Description	OE - Number	OE - Number	FEATURES
1	HD074	00557	STABILIZER LINK	4056A014	MB573043	- 61	4	MB021	00649	AXIAL JOINT	MB350718	MB501530	- 273
2	VOL05	01341	TIE ROD END	30875012	3817A6	- 77							
3	MB020	00648	AXIAL JOINT	MB347666	MB532046	- 277							
							5	HD022	00516	BALL JOINT (LOWER)	5450322000	5450322A00	Ø17 -



1 01662



1 01662



2 01341

3 01620

3 01620

2 01341



4 00516



4 00516



Ref	Old code	CODE	Description	OE - Number	OE - Number	FEATURES	Ref	Old code	CODE	Description	OE - Number	OE - Number	FEATURES
1	-	01662	STABILIZER LINK	4056A038	4231160A00	- 90	3	-	01620	AXIAL JOINT	MB130807	MB910934	- 309
2	VOL05	01341	TIE ROD END	30875012	3817A6	- 77	4	HD022	00516	BALL JOINT (LOWER)	5450322000	5450322A00	Ø17 -



1 02085



1 02085



4 03935

5 02160

5 02160

4 03935



8 02158



6 02161



7 02162



10 03934

12/2013-->



8 02158

9 03933

12/2013-->



11 03937



11 03937



13 04774

-->05/2011



13 04774

-->05/2011



12 03939

05/2011-->



12 03939

05/2011-->



2 02163



3 02164





Ref	Old code	CODE	Description	OE – Number	OE – Number	FEATURES	Ref	Old code	CODE	Description	OE – Number	OE – Number	FEATURES
1	-	02085	STABILIZER LINK	1610930380	508758	- 265	8	-	02158	BALL JOINT (LOWER)	3520V0 PART OF 1	3520X9 PART OF 1	-
2	-	02163	STABILIZER LINK-LH (REAR)	517848	-	- 80	9	-	03933	CONTROL ARM-LH (LOWER) (COMPLETE)	1612753380	4013A443	-
3	-	02164	STABILIZER LINK-RH (REAR)	517849	MN184194	- 80	10	-	03934	CONTROL ARM-RH (LOWER) (COMPLETE)	1612753580	4013A444	-
4	-	03935	TIE ROD END	1607502480	4422A002	-	11	-	03937	TRACK ROD (REAR)	1607498780	4117A005	-
5	-	02160	AXIAL JOINT	3812F1	4422A012	- 342	12	-	03939	TRACK ROD (REAR)	1607498380	MN184100	-
6	-	02161	BUSHING	1612753380 PART OF	1612753580 PART OF	Ø14,2 - 59,7	13	-	04774	TRACK ROD	4110A085	5175EH	-
7	-	02162	BUSHING	1609910680	1612448580	-							





2 01724
LANCER V



2 01724
LANCER V



3 01823



3 01823



4 01341

5 01620

5 01620

4 01341



9 00516



12 02439



7 00661



9 00516



10 02437



11 02438



8 07464

LANCER VI
EXC. 4X4



8 07464

LANCER VI
EXC. 4X4



1 00633



1 00633



Ref	Old code	CODE	Description	OE - Number	OE - Number	FEATURES	Ref	Old code	CODE	Description	OE - Number	OE - Number	FEATURES
1	MB001	00633	STABILIZER LINK (REAR)	4056A021	MB809354	- 75	7	MB043-R	00661	CONTROL ARM-RH (LOWER) (COMPLETE)	MB907164	MB912078	-
2	-	01724	STABILIZER LINK	MB241974	MR392730	- 140	8	-	07464	BALL JOINT (LOWER)	MR241341 PART OF	MR241342 PART OF	-
3	-	01823	STABILIZER LINK	4056A161	MR241349	- 130	9	HD022	00516	BALL JOINT (LOWER)	5450322000	5450322A00	Ø17 -
4	VOL05	01341	TIE ROD END	30875012	3817A6	- 77	10	-	02437	BUSHING-LH	30872510	MB808909	-
5	-	01620	AXIAL JOINT	MB130807	MB910934	- 309	11	-	02438	BUSHING-RH	30872511	MB808910	-
6	MB043-L	00660	CONTROL ARM-LH (LOWER) (COMPLETE)	MB907163	MB912077	-	12	-	02439	BUSHING	30818467	3520Y5 PART OF 3	-





Ref	Old code	CODE	Description	OE - Number	OE - Number	FEATURES	Ref	Old code	CODE	Description	OE - Number	OE - Number	FEATURES
1	-	07551	STABILIZER LINK (REAR)	4056A037	MR403771	-	6	-	03760	CONTROL ARM-LH (LOWER) (COMPLETE)	MR403419	-	Ø20 - 321,8
2	-	01823	STABILIZER LINK	4056A161	MR241349	- 130	7	-	03761	CONTROL ARM-RH (LOWER) (COMPLETE)	MR403420	4013A274	Ø20 - 321,8
3	VOL05	01341	TIE ROD END	30875012	3817A6	- 77	8	-	07548	BUSHING	4013A131 PART OF	4013A132 PART OF	-
4	-	07503	AXIAL JOINT	4422A056	MR491358	-	9	-	07549	BUSHING	MR403441	-	-
5	-	02158	BALL JOINT (LOWER)	3520V0 PART OF 1	3520X9 PART OF 1	-	10	-	07550	TRACK CONTROL ARM	MR403485	-	-



2 07552



2 07552



3 03935



4 04777



4 04777



3 03935



5 07553



8 07548



9 07549



6 07554



7 02158



7 02158



1 00519



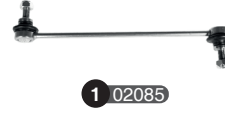
1 00519



Ref	Old code	CODE	Description	OE - Number	OE - Number	FEATURES	Ref	Old code	CODE	Description	OE - Number	OE - Number	FEATURES
1	-	00519	STABILIZER LINK (REAR)	4056A015	5483017020	- 59,5	5	-	07553	CONTROL ARM-LH (LOWER) (COMPLETE)	4013A131	MN101741	-
2	-	07552	STABILIZER LINK	4056A040 PART OF	4056A040S1	-	6	-	07554	CONTROL ARM-RH (LOWER) (COMPLETE)	4013A132	MN101742	-
3	-	03935	TIE ROD END	1607502480	4422A002	-	7	-	02158	BALL JOINT (LOWER)	3520V0 PART OF 1	3520X9 PART OF 1	-
4	-	04777	AXIAL JOINT	4422A057	4422A079	-	8	-	07548	BUSHING	4013A131 PART OF	4013A132 PART OF	-
							9	-	07549	BUSHING	MR403441	-	-



Ref	Old code	CODE	Description	OE - Number	OE - Number	FEATURES	Ref	Old code	CODE	Description	OE - Number	OE - Number	FEATURES
1	-	02163	STABILIZER LINK-LH	517848	-	- 80	5	-	02160	AXIAL JOINT	3812F1	4422A012	- 342
2	-	02164	STABILIZER LINK-RH	517849	MN184194	- 80	6	-	02158	BALL JOINT (LOWER)	3520V0 PART OF 1	3520X9 PART OF 1	-
3		02085	STABILIZER LINK	1610930380	508758	- 265	7	-	03937	TRACK ROD (REAR)	1607498780	4117A005	-
4	-	02159	TIE ROD END	381774	4422A018	-	8	-	04774	TRACK ROD	4110A085	5175EH	-



Ref	Old code	CODE	Description	OE - Number	OE - Number	FEATURES	Ref	Old code	CODE	Description	OE - Number	OE - Number	FEATURES
1	-	02085	STABILIZER LINK	1610930380	508758	- 265	7	-	03934	CONTROL ARM-RH (LOWER) (COMPLETE)	1612753580	4013A444	-
2	-	02163	STABILIZER LINK-LH	517848		- 80	8	-	02161	BUSHING	1612753380 PART OF	1612753580 PART OF	Ø14,2 - 59,7
3	-	02164	STABILIZER LINK-RH	517849	MN184194	- 80	9	-	02162	BUSHING	1609910680	1612448580	Ø14,3 - 53,8
4	-	03935	TIE ROD END	1607502480	4422A002	-	10	-	03938	TRACK ROD (REAR)	1609913480	1612754780	-
5	-	03936	AXIAL JOINT	1607502580	1608532180 PART OF 1	-	11	-	03939	TRACK ROD (REAR)	1607498380	MN184100	-
6	-	03933	CONTROL ARM-LH (LOWER) (COMPLETE)	1612753380	4013A443	-	12	-	02158	BALL JOINT (LOWER)	3520V0 PART OF 1	3520X9 PART OF 1	-





Ref	Old code	CODE	Description	OE - Number	OE - Number	FEATURES	Ref	Old code	CODE	Description	OE - Number	OE - Number	FEATURES
1	MB037	00656	TIE ROD END	HB568120	MB241171	-	3	MB005	00636	BALL JOINT (UPPER)	MB176309	MB241155	Ø18,2 -
2	MB038	00657	TIE ROD END	HB568110	MB241206	-	4	MB009	00638	BALL JOINT (LOWER)	MB176308	-	Ø21,9 -



1 03047



1 03047



3 00644



4 00645



5 00658



5 00658



6 00659



6 00659



9 00639



9 00639



7 07479



10 00640



11 00641



8 07480



2 05057



2 05057

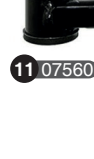


Ref	Old code	CODE	Description	OE - Number	OE - Number	FEATURES	Ref	Old code	CODE	Description	OE - Number	OE - Number	FEATURES
1	-	03047	STABILIZER LINK	MB633926	-	- 107±1	7	-	07479	BUSHING	MB109684	-	-
2	-	05057	STABILIZER LINK (REAR)	MB598098	-	-	8	-	07480	BUSHING	MB633870	-	-
3	MB016-L	00644	STABILIZER LINK-LH	MR132251	MR267876	- 78	9	MB010	00639	BALL JOINT (UPPER)	MB860829	MB860830	-
4	MB016-R	00645	STABILIZER LINK-RH	MR132552	MR267877	- 78	10	MB012-L	00640	BALL JOINT-LH (LOWER)	MB831037	MR296269	-
5	MB039	00658	TIE ROD END	MB831043	-	Ø15,9 - 110	11	MB012-R	00641	BALL JOINT-RH (LOWER)	MB831038	-	-
6	MB040	00659	TIE ROD END	MB831044	-	Ø15,9 - 110							





10 07559



13 07562



14 07563



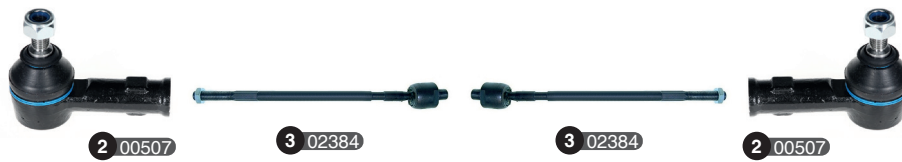
Ref	Old code	CODE	Description	OE - Number	OE - Number	FEATURES	Ref	Old code	CODE	Description	OE - Number	OE - Number	FEATURES
1	-	01886	STABILIZER LINK-LH (REAR)	4056A111	MR418052	- 115	10	-	07559	CONTROL ARM-LH (UPPER) (COMPLETE)	4010A037	MR496793	-
2	-	01887	STABILIZER LINK-RH (REAR)	4056A112	MR418053	- 115	11	-	07560	CONTROL ARM-RH (UPPER) (COMPLETE)	4010A038	MR496794	-
3	-	01888	STABILIZER LINK-LH	MB267877	MR374521	- 78	12	-	07561	BUSHING	4010A037 PART OF	4010A038 PART OF	-
4	-	01889	STABILIZER LINK-RH	MB267876	MR374522	- 78	13	-	07562	CONTROL ARM-LH (LOWER) (COMPLETE)	MR496795	-	-
5	-	01891	TIE ROD END-LH	MR508135	-	-	14	-	07563	CONTROL ARM-RH (LOWER) (COMPLETE)	MR496796	-	-
6	-	01892	TIE ROD END-RH	MR508136	-	-	15	-	07564	BALL JOINT (LOWER)	4013A098	4013A211	-
7	-	01890	AXIAL JOINT	MR510267	-	- 205,5	16	-	07565	BUSHING	MR496795 PART OF	MR496796 PART OF	-
8	-	01942	BALL JOINT (UPPER)	4010A015	4010A099	-	17	-	07566	BUSHING	MR496795 PART OF 1	MR496796 PART OF 1	-
9	-	01951	BALL JOINT (LOWER)	MR508130	-	-							





Ref	Old code	CODE	Description	OE – Number	OE – Number	FEATURES	Ref	Old code	CODE	Description	OE – Number	OE – Number	FEATURES
1	-	01886	STABILIZER LINK-LH (REAR)	4056A111	MR418052	- 115	9	-	07560	CONTROL ARM-RH (UPPER) (COMPLETE)	4010A038	MR496794	-
2	-	01887	STABILIZER LINK-RH (REAR)	4056A112	MR418053	- 115	10	-	07561	BUSHING	4010A037 PART OF	4010A038 PART OF	-
3	-	03374	STABILIZER LINK-LH	4056A133	MR992191	-	11	-	07564	BALL JOINT (LOWER)	4013A098	4013A211	-
4	-	03375	STABILIZER LINK-RH	4056A134	MR992192	-	12	-	07570	CONTROL ARM-LH (LOWER) (COMPLETE)	4013A209	-	-
5	-	07567	TIE ROD END-LH	4422A037	-	-	13	-	07571	CONTROL ARM-RH (LOWER) (COMPLETE)	4013A210	-	-
6	-	07568	TIE ROD END-RH	4422A038	-	-	14	-	07572	BUSHING	4013A209 PART OF	4013A210 PART OF	-
7	-	07569	AXIAL JOINT	4422A036	-	-	15	-	07573	BUSHING	4013A209 PART OF 1	4013A210 PART OF 1	-
8	-	07559	CONTROL ARM-LH (UPPER) (COMPLETE)	4010A037	MR496793	-	16	-	01942	BALL JOINT (UPPER)	4010A015	4010A099	-





Ref	Old code	CODE	Description	OE - Number	OE - Number	FEATURES	Ref	Old code	CODE	Description	OE - Number	OE - Number	FEATURES
1	HD074	00557	STABILIZER LINK	4056A014	MB573043	- 61	5	-	07556	CONTROL ARM-RH (LOWER) (COMPLETE)	MR414940	-	-
2	HD014	00507	TIE ROD END	5682036000	MB192430	Ø15,1 - 74	6	-	07557	BALL JOINT (LOWER)	MR414939 PART OF	MR414940 PART OF	-
3	-	02384	AXIAL JOINT	MR448255	-	- 345	7	-	07558	BUSHING	MR319067	-	-
4	-	07555	CONTROL ARM-LH (LOWER) (COMPLETE)	MR414939	-	-							



2 07471



2 07471



3 00657



3 00657



4 00658



4 00658



5 07472



6 07473



7 07476



10 00639



10 00639



11 00640



8 07479



12 00641



9 07480



1 05057



1 05057



Ref	Old code	CODE	Description	OE – Number	OE – Number	FEATURES	Ref	Old code	CODE	Description	OE – Number	OE – Number	FEATURES
1	-	05057	STABILIZER LINK (REAR)	MB598098	-	-	7	-	07476	BUSHING	MB633820 PART OF	MR184880 PART OF	-
2	-	07471	STABILIZER LINK	MR151937 PART OF	MR267643 PART OF	-	8	-	07479	BUSHING	MB109684	-	-
3	MB038	00657	TIE ROD END	HB568110	MB241206	-	9	-	07480	BUSHING	MB633870	-	-
4	MB039	00658	TIE ROD END	MB831043	-	Ø15,9 - 110	10	MB010	00639	BALL JOINT (UPPER)	MB860829	MB860830	-
5	-	07472	CONTROL ARM-LH (UPPER) (COMPLETE)	MR124879	MR296093	-	11	MB012-L	00640	BALL JOINT-LH (LOWER)	MB831037	MR296269	-
6	-	07473	CONTROL ARM-RH (UPPER) (COMPLETE)	MB831036	MR124880	-	12	MB012-R	00641	BALL JOINT-RH (LOWER)	MB831038	-	-





Ref	Old code	CODE	Description	OE - Number	OE - Number	FEATURES	Ref	Old code	CODE	Description	OE - Number	OE - Number	FEATURES
1	-	05057	STABILIZER LINK (REAR)	MB598098	-	-	8	-	04794	CONTROL ARM-RH (UPPER) (COMPLETE)	4010A014	4010A104	-
2	-	01943	STABILIZER LINK-LH	4056A192	MR992309	- 65	9	-	04797	CONTROL ARM-LH (LOWER) (COMPLETE)	4013A087	4013A329	-
3	-	01944	STABILIZER LINK-RH	4056A193	MR992310	- 65	10	-	04798	CONTROL ARM-RH (LOWER) (COMPLETE)	4013A088	4013A330	-
4	-	02382	TIE ROD END-LH	4422A009	4422A096	-	11	-	05053	BUSHING	6000609549	MR992256	-
5	-	02383	TIE ROD END-RH	4422A010	4422A097	-	12	-	01942	BALL JOINT (UPPER)	4010A015	4010A099	-
6	-	02533	AXIAL JOINT	4410A173	6000609635	- 200	13	-	02381	BALL JOINT (LOWER)	4013A090	4013A314	-
7	-	04793	CONTROL ARM-LH (UPPER) (COMPLETE)	4010A013	4010A103	-							





Ref	Old code	CODE	Description	OE - Number	OE - Number	FEATURES	Ref	Old code	CODE	Description	OE - Number	OE - Number	FEATURES
1	HD074	00557	STABILIZER LINK	4056A014	MB573043	- 61	3	HD014	00507	TIE ROD END	5682036000	MB192430	Ø15,1 - 74
2	-	01905	STABILIZER LINK (REAR)	MB131732	MB631890	-	4	HD022	00516	BALL JOINT (LOWER)	5450322000	5450322A00	Ø17 -



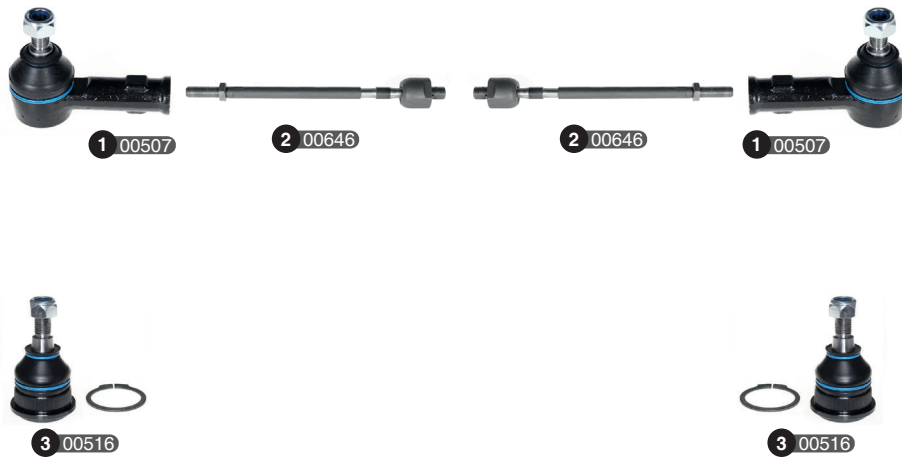
Ref	Old code	CODE	Description	OE - Number	OE - Number	FEATURES	Ref	Old code	CODE	Description	OE - Number	OE - Number	FEATURES
1	-	01667	STABILIZER LINK-LH	4056A012	MB672370	- 50	4	-	01809	AXIAL JOINT	MB870078	MR131857	- 303
2	-	01668	STABILIZER LINK-RH	4056A013	MB808076	- 50		5	HD022	00516	BALL JOINT (LOWER)	5450322000	5450322A00
3	HD014	00507	TIE ROD END	5682036000	MB192430	Ø15,1 - 74							



Ref	Old code	CODE	Description	OE - Number	OE - Number	FEATURES	Ref	Old code	CODE	Description	OE - Number	OE - Number	FEATURES
1	VOL50	01380	STABILIZER LINK (REAR)	30852103	30873101	- 108,5	7	-	02439	BUSHING	30818467	3520Y5 PART OF 3	-
2	-	01724	STABILIZER LINK	MB241974	MR392730	- 140	8	-	07466	CONTROL ARM-LH (LOWER) (COMPLETE)	MR911570	MR916133	-
3	VOL05	01341	TIE ROD END	30875012	3817A6	- 77	9	-	07467	CONTROL ARM-RH (LOWER) (COMPLETE)	MR911569	MR916134	-
4	-	01624	AXIAL JOINT	MR403027	-	- 316	10	-	07468	BALL JOINT (LOWER)	MR911569 PART OF	MR911570 PART OF	-
5	-	02437	BUSHING-LH	30872510	MB808909	-	11	HD022	00516	BALL JOINT (LOWER)	5450322000	5450322A00	Ø17 -
6	-	02438	BUSHING-RH	30872511	MB808910	-							



Ref	Old code	CODE	Description	OE - Number	OE - Number	FEATURES	Ref	Old code	CODE	Description	OE - Number	OE - Number	FEATURES
1	-	07539	STABILIZER LINK	4056A191	-	-	5	-	07543	CONTROL ARM-RH (LOWER) (COMPLETE)	4013A310	-	-
2	-	07540	TIE ROD END	4422A063	-	-	6	-	07544	BUSHING	4013A309 PART OF	4013A310 PART OF	-
3	-	07541	AXIAL JOINT	4422A098	-	-	7	-	07545	BUSHING	4013A309 PART OF 1	4013A310 PART OF 1	-
4	-	07542	CONTROL ARM-LH (LOWER) (COMPLETE)	4013A309	-	-	8	-	07546	BALL JOINT (LOWER)	4013A309 PART OF 3	4013A310 PART OF 3	-



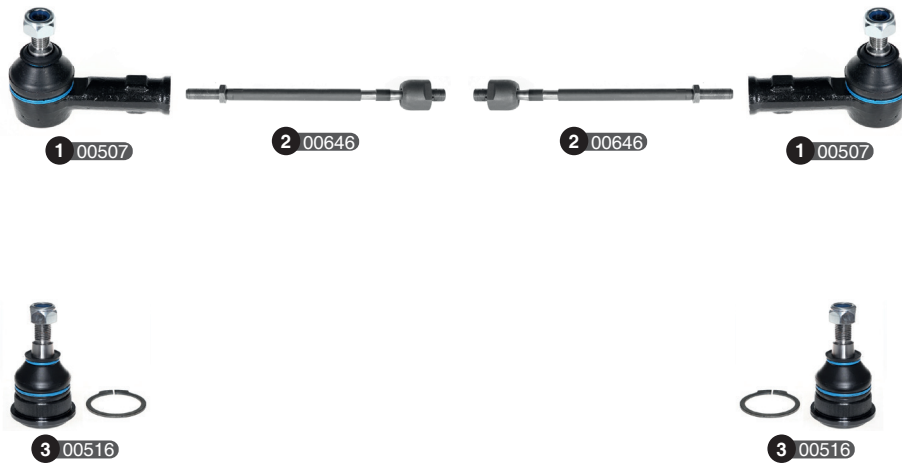
Ref	Old code	CODE	Description	OE - Number	OE - Number	FEATURES	Ref	Old code	CODE	Description	OE - Number	OE - Number	FEATURES
1	HD014	00507	TIE ROD END	5682036000	MB192430	Ø15,1 - 74	3	HD022	00516	BALL JOINT (LOWER)	5450322000	5450322A00	Ø17 -
2	MB017	00646	AXIAL JOINT	MB266152	MB315160	- 296							



Ref	Old code	CODE	Description	OE - Number	OE - Number	FEATURES	Ref	Old code	CODE	Description	OE - Number	OE - Number	FEATURES
1	-	01667	STABILIZER LINK-LH	4056A012	MB672370	- 50	3	HD014	00507	TIE ROD END	5682036000	MB192430	Ø15,1 - 74
2	-	01668	STABILIZER LINK-RH	4056A013	MB808076	- 50	4	HD022	00516	BALL JOINT (LOWER)	5450322000	5450322A00	Ø17 -



Ref	Old code	CODE	Description	OE - Number	OE - Number	FEATURES	Ref	Old code	CODE	Description	OE - Number	OE - Number	FEATURES
1	-	04784	STABILIZER LINK (REAR)	MB001622	MB241429	-	7	-	04777	AXIAL JOINT	4422A057	4422A079	-
2	-	03048	STABILIZER LINK-LH	4056A034	MR316435	-	8	-	04778	CONTROL ARM-LH (LOWER) (COMPLETE)	MR316053	MR589033	-
3	-	03049	STABILIZER LINK-RH	4056A035	MR316436	-	9	-	04779	CONTROL ARM-RH (LOWER) (COMPLETE)	MR316054	MR589034	-
4	HD014	00507	TIE ROD END	5682036000	MB192430	Ø15,1 - 74	10	-	04782	BALL JOINT (LOWER)	MR316053 PART OF 2	MR316054 PART OF 2	-
5	-	04775	AXIAL JOINT	MR455092	-	-	11	-	04783	BUSHING	MR315054 PART OF 3	MR316053 PART OF 3	-
6	-	04776	AXIAL JOINT	MR455091	-	-	12	-	04765	BUSHING	3520Y5 PART OF 2	3521V6 PART OF 2	-



Ref	Old code	CODE	Description	OE - Number	OE - Number	FEATURES	Ref	Old code	CODE	Description	OE - Number	OE - Number	FEATURES
1	HD014	00507	TIE ROD END	5682036000	MB192430	Ø15,1 - 74	3	HD022	00516	BALL JOINT (LOWER)	5450322000	5450322A00	Ø17 -
2	MB017	00646	AXIAL JOINT	MB266152	MB315160	- 296							