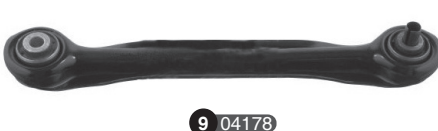




S
E
D
E
C
B
E
M



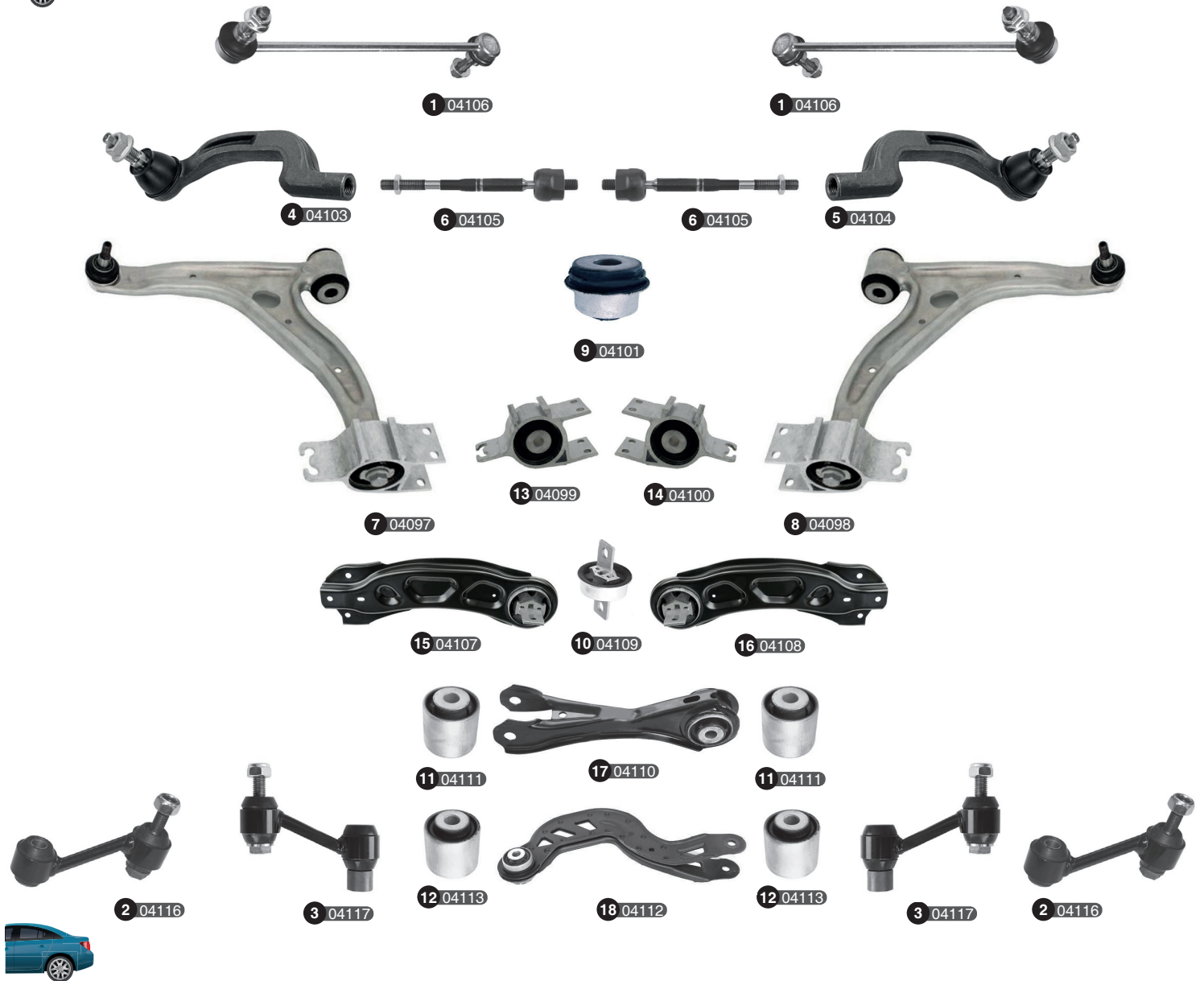
Ref	Old code	CODE	Description	OE - Number	OE - Number	FEATURES	Ref	Old code	CODE	Description	OE - Number	OE - Number	FEATURES
1	MCD01	00663	Stabilizer link	1243200264	1243200289	M10x1,25-200 mm (Rear)	6	-	04172	Bushing	1243529065	2103502506 Part of	-
2	MCD31	00685	Stabilizer link	1243500153	2013501953	M10x1,25-245 mm (Rear)	7	-	04173	Bushing	2103503306 Part of	2103520965	-
3	MCD20-L	00675	Tie rod end	0003384410	3384210	Inner	8	-	04175	Bushing	2103503406 Part of	1243500575	-
4	MCD20-R	00676	Tie rod end	0003384310	0003384510	M10x1,25-Male-M12x1,5-85 mm	9	-	04178	Track rod	1243500129	2103500029	Rear
							10	-	04171	Track rod	2013504706	2103503306	Rear
5	MCD27	00682	Ball joint	1243330127	1243330327	18	11	-	04174	Track rod	1243507606	1243507706	Rear



Ref	Old code	CODE	Description	OE - Number	OE - Number	FEATURES	Ref	Old code	CODE	Description	OE - Number	OE - Number	FEATURES
1	MCD04	00666	Stabilizer link	1683200389	-	M10x1,5-219 mm (Front)	6	-	04084	Control arm complete-R	1683300907	-	Lower
2	MCD63-L	00704	Tie rod end-L	1683301135	-	M12x1,5-Female-M12x1,5-205 mm	7	-	04085	Control arm w/o ball joint-L	1683300807	-	-
3	MCD63-R	00705	Tie rod end-R	1683301235	-	M12x1,5-Female-M12x1,5-205 mm	8	-	04086	Control arm w/o ball joint-R	1683300907	-	-
4	MCD51	00698	Axial joint	1683301335	-	M12x1,5-M14x1,5-195 mm	9	MCD36	00687	Ball joint	1683330127	-	Lower-M12x1,5
5	-	04083	Control arm complete-L	1683300807	-	Lower	10	-	04087	Bushing	1683330214	-	Big
							11	-	04088	Bushing	1683330014	-	Small



Ref	Old code	CODE	Description	OE - Number	OE - Number	FEATURES	Ref	Old code	CODE	Description	OE - Number	OE - Number	FEATURES
1	-	01763	Stabilizer link	1693200989	-	M10x1,5-244 mm (Front)	7	-	04090	Control arm complete-L	1693300507	-	Lower
2	-	03017	Stabilizer link	1693200589	-	M10x1,5-87 mm (Rear)	8	-	04091	Control arm complete-R	1693300607	-	Lower
3	-	01761	Tie rod end-L	1693300503	-	-	9	-	04094	Bushing	1693300707 Part of	-	-
4	-	01762	Tie rod end-R	1693300603	-	-	10	-	08502	Bushing	169330114	-	-
5	-	01777	Axial joint	1693300403	-	M14x1,5-203 mm (-> 03/2005)	11	-	01764	Ball joint	169330127	-	Lower-M14x1,5
6	-	04089	Axial joint	1693300803	-	04/2005 ->	12	-	04095	Bushing	1693300707 Part of	-	-



Ref	Old code	CODE	Description	OE - Number	OE - Number	FEATURES	Ref	Old code	CODE	Description	OE - Number	OE - Number	FEATURES
1	-	04106	Stabilizer link	2463200089	2463200689	Front	10	-	04109	Bushing	2463500300 Part of	2463500400 Part of	-
2	-	04116	Stabilizer link	2463200489	-	Rear (Exc. Sport)	11	-	04111	Bushing	2463520265	-	-
3	-	04117	Stabilizer link	2463200789	2463200100	Rear (Sport Edition)	12	-	04113	Bushing	2463520165	-	-
4	-	04103	Tie rod end-L	2463301700	-	-	13	-	04099	Bushing-L	2463330014	2463330100	-
5	-	04104	Tie rod end-R	2463301800	-	-	14	-	04100	Bushing-R	2463330200	2463330214	-
6	-	04105	Axial joint	2463380000	-	-	15	-	04107	Track control arm-L	2463500406	-	Rear
7	-	04097	Control arm complete-L	2463301707	2463304700	Lower	16	-	04108	Track control arm-R	2463500506	-	Rear
8	-	04098	Control arm complete-R	2463301807	2463304800	Lower	17	-	04110	Track rod	2463500053	-	Rear
9	-	04101	Bushing	1563300100 Part of	1563300200 Part of	-	18	-	04112	Track rod	2463501006	-	Rear



Ref	Old code	CODE	Description	OE - Number	OE - Number	FEATURES	Ref	Old code	CODE	Description	OE - Number	OE - Number	FEATURES
1	-	01763	Stabilizer link	1693200989	-	M10x1,5-244 mm (Front ->01/2007)	7	-	04090	Control arm complete-L	1693300507	-	Lower
2	-	03017	Stabilizer link	1693200589	-	M10x1,5-87 mm (Rear)	8	-	04091	Control arm complete-R	1693300607	-	Lower
3	-	04096	Stabilizer link	1693201389	-	Front 01/2007 ->	9	-	04094	Bushing	1693300707 Part of	-	-
4	-	01761	Tie rod end-L	1693300503	-	-	10	-	08502	Bushing	1693330114	-	-
5	-	01762	Tie rod end-R	1693300603	-	-	11	-	01764	Ball joint	1693330127	-	Lower-M14x1,5
6	-	04089	Axial joint	1693300803	-	-	12	-	04095	Bushing	1693300707 Part of	-	-



Ref	Old code	CODE	Description	OE - Number	OE - Number	FEATURES	Ref	Old code	CODE	Description	OE - Number	OE - Number	FEATURES
1	-	04106	Stabilizer link	2463200089	2463200689	Front	10	-	04111	Bushing	2463520265	-	-
2	-	04116	Stabilizer link	2463200489	-	Rear	11	-	04113	Bushing	2463520165	-	-
3	-	04103	Tie rod end-L	2463301700	-	-	12	-	04099	Bushing-L	2463330014	2463330100	-
4	-	04104	Tie rod end-R	2463301800	-	-	13	-	04100	Bushing-R	2463330200	2463330214	-
5	-	04105	Axial joint	2463380000	-	-	14	-	04107	Track control arm-L	2463500406	-	Rear
6	-	04097	Control arm complete-L	2463301707	2463304700	Lower	15	-	04108	Track control arm-R	2463500506	-	Rear
7	-	04098	Control arm complete-R	2463301807	2463304800	Lower	16	-	04110	Track rod	2463500053	-	Rear (4Matic)
8	-	04101	Bushing	1563300100 Part of	1563300200 Part of	-	17	-	04112	Track rod	2463501006	-	Rear
9	-	04109	Bushing	2463500300 Part of	2463500400 Part of	-							



Ref	Old code	CODE	Description	OE - Number	OE - Number	FEATURES	Ref	Old code	CODE	Description	OE - Number	OE - Number	FEATURES
1	MCD14	00672	Stabilizer link	1233200989	-	M10x1,5-100,5 mm (Rear Plastic)	5	-	03623	Tie rod end	0003380810	0003382010	08/1982 ->
2	-	01480	Stabilizer link	1153201589	1153201789	M10x1,5-108 mm (Rear Metal)	6	MCD18	00119	Tie rod end	0003380710	0003381910	M10x1,25-Male-M14x1,5-88 mm (08/1982->)
3	MCD15	00673	Tie rod end	1233380110	-	M10x1,25-Male-M16x1,5-175 mm (-> 08/1982)	7	MCD17	00674	Ball joint	1163330927	-	Lower-M14x1,5
4	MCD29	00684	Tie rod end	1233380210	-	M10x1,25-Male-M16x1,5-92 mm (-> 08/1982)	8	-	03620	Track control arm-L	1233304607	1233305207	M10x1-171 mm (Upper)
							9	-	03621	Track control arm-R	1233304707	1233305307	M10x1-171 mm (Upper)
							10	-	03622	Cross rod	1233300403	1233301503	08/1982 ->





Ref	Old code	CODE	Description	OE - Number	OE - Number	FEATURES	Ref	Old code	CODE	Description	OE - Number	OE - Number	FEATURES
1	MCD01	00663	Stabilizer link	1243200264	1243200289	M10x1,25-200 mm (Rear)	9	-	03615	Bushing	2023337714	-	-
2	MCD31	00685	Stabilizer link	1243500153	2013502753	M10x1,25-245 mm (Rear)	10	-	04170	Bushing	2023336414	1703300075 Part of	-
3	MCD22	00677	Tie rod end	0003307435	0013307435	M12x1,5-Female-M12x1,5-70 mm	11	-	04172	Bushing	1243529065	2103502506 Part of	-
4	-	03613	Control arm complete-L	2023303007	2023303607	Lower	12	-	04173	Bushing	2103503306 Part of	2103520965	-
5	-	03614	Control arm complete-R	2023302007	2023303107	Lower	13	-	04175	Bushing	2103503406 Part of	1243500575	-
6	-	04167	Control arm complete-L	1703300107	2023302607	Lower	14	-	04178	Track rod	1243500129	2103500029	Rear
7	-	04168	Control arm complete-R	1703300207	2023302707	Lower	15	-	06441	Bushing	2023300075	2023336714	-
8	MCD28	00683	Ball joint	2023330027	2103330427	Lower-M14x1,5-Male-M14x1,5-73mm	16	-	04171	Track rod	2013504706	2013505606	Rear
							17	-	04174	Track rod	1243507606	1243507706	Rear



C-CLASS (W203) (05/2000-01/2007)
C-CLASS (S203) (03/2001-07/2007)
C-CLASS (CL203) (03/2001-05/2008)



1 00678



1 00678



2 01676



2 01676



3 03018



3 03018



6 01494



10 00699



10 00699



7 01495



8 04162



11 01834



11 01834



9 04163



20 00712



12 03019



21 00713



22 02464



13 03020



23 02465





C-CLASS (W203) (05/2000-01/2007)
C-CLASS (S203) (03/2001-07/2007)
C-CLASS (CL203) (03/2001-05/2008)



Ref	Old code	CODE	Description	OE - Number	OE - Number	FEATURES	Ref	Old code	CODE	Description	OE - Number	OE - Number	FEATURES
1	MCD23	00678	Stabilizer link	2033200489	2033202589	M10x1,5-277 mm (Front M*10)	13	-	03020	Bushing	2033330914	-	(Exc. 4Matic)
2	-	01676	Stabilizer link	2033202189	2033202689	M12x1,5-277 mm (Front M*12)	14	-	04172	Bushing	1243529065	2103502506 Part of	-
3	-	03018	Stabilizer link	2033201889	2033203089	Front / Only 4 Matic	15	-	04173	Bushing	2103503306 Part of	2103520965	-
4	-	01568	Stabilizer link-L	2033200789	-	182,5 mm (Rear)	16	-	04175	Bushing	2103503806 Part of	1243500575	-
5	-	01569	Stabilizer link-R	2033200889	-	182,5 mm (Rear)	17	-	04178	Track rod	1243500129	2103503806	Rear
6	-	01494	Tie rod end-L	2033301903	2033302303	M14x1,5-Female-M14x1,5-175mm (Exc. 4Matic)	18	-	04171	Track rod	2013504706	2013505606	Rear
7	-	01495	Tie rod end-R	2033302003	2033302403	M14x1,5-Female-M14x1,5-175mm (Exc. 4Matic)	19	-	04174	Track rod	1243507606	1243507706	Rear
8	-	04162	Tie rod end-L	2033303303	-	4MATIC	20	MCD67-L	00712	Track control arm-L	2033300111	2033301611	Upper-M14x1,5-343 mm (Exc. 4Matic)
9	-	04163	Tie rod end-R	2033303403	-	4MATIC	21	MCD67-R	00713	Track control arm-R	2033300211	2033301711	Upper-M14x1,5-343 mm (Exc. 4Matic)
10	MCD52	00699	Axial joint	2203380715	2303380015	M14x1,5-M16x1,5-244 mm (Exc. 4Matic)	22	-	02464	Track control arm-L	2033301911	2033303311	Forging-M14x1,5-345,6 mm (Exc. 4Matic)
11	-	01834	Axial joint	2033380215	-	M14x1,5-M16x1,5-195,5 mm (4Matic)	23	-	02465	Track control arm-R	2033302011	2033303411	Forging-M14x1,5-345,6 mm (Exc. 4Matic)
12	-	03019	Bushing	2033330214	2033331014	(Exc. 4Matic)							



MERCEDES

C-CLASS (W204) (01/2007-01/2014)
C-CLASS (S204) (08/2007-08/2014)
C-CLASS (C204) (06/2011-10/2015)





C-CLASS (W204) (01/2007-01/2014)
C-CLASS (S204) (08/2007-08/2014)
C-CLASS (C204) (06/2011-10/2015)





Ref	Old code	CODE	Description	OE – Number	OE – Number	FEATURES	Ref	Old code	CODE	Description	OE – Number	OE – Number	FEATURES
1	-	02048	Stabilizer link-L	2043200589	-	M10x1,5-233 mm (Rear)	20	-	04151	Bushing	2043500553 Part of	2043500653 Part of	-
2	-	02049	Stabilizer link-R	2043200489	-	M10x1,5-233 mm (Rear)							
3	-	02050	Stabilizer link-L	2043203789	2043201789	"M12x1,5-306 mm (FRONT (S16) EXC. SPORT SUSP. EXC. 4MATIC"	21	-	04152	Bushing	2043500553 Part of	2043500653 Part of	-
4	-	02051	Stabilizer link-R	2043203889	2043201889	"M12x1,5-306 mm (FRONT (S16) EXC. SPORT SUSP. EXC. 4MATIC"	22	-	04179	Bushing	2043331114	2213331914	EXC. 4MATIC + EXC. AMG
5	-	04180	Stabilizer link-L	2043200789	-	"FRONT SPORT SUSP. 4MATIC EXC. COUPE"	23	-	06447	Bushing	2043330414	2043306711 Part of	EXC. 4MATIC + EXC. AMG
6	-	04181	Stabilizer link-R	2043202289	-	"FRONT SPORT SUSP. 4MATIC EXC. COUPE"	24	-	03028	Track control arm	2043500029	2053506303	-
7	-	03021	Tie rod end-L	2043300903	-	"HYDRO. PS EXC. 4MATIC ELEC. PS EXC. 4MATIC"	25	-	04137	Track control arm-L	2043502106	2043503306	Rear
8	-	03022	Tie rod end-R	2043301003	-	"HYDRO. PS EXC. 4MATIC ELEC. PS EXC. 4MATIC"	26	-	04138	Track control arm-R	2043502206	2043503406	Rear
9	-	04182	Tie rod end-L	2043303303	-	"HYDRO. PS 4MATIC ELEC. PS 4MATIC"	27	-	04141	Track control arm-L	2043501506	2043503006	Rear
10	-	04183	Tie rod end-R	2043303403	-	"HYDRO. PS 4MATIC ELEC. PS 4MATIC"	28	-	04142	Track control arm-R	2043501606	2043503106	Rear
11	-	02782	Axial joint	2043380315	2043380515	"M14x1,5-M16x1,5-245 mm(HYDRO. PS 4MATIC)"	29	-	04149	Track control arm-L	2043500553	2053506503	Rear
12	-	03027	Axial joint	2043380015	2073380015	M14x1,5-M16x1,5-261 mm	30	-	04150	Track control arm-R	2043500653	2053506603	Rear
13	-	04184	Axial joint	2073300500	-	"ELEC. PS EXC. 4MATIC ELEC. PS 4MATIC"	31	MCD67-L	00712	Track control arm-L	2033300111	2033301611	"Upper-M14x1.5-343 mm (EXC. 4MATIC + EXC. AMG EXC. COUPE)"
14	-	03019	Bushing	2033330214	2033331014	EXC. 4MATIC + EXC. AMG EXC. COUPE	32	MCD67-R	00713	Track control arm-R	2033300211	2033301711	"Upper-M14x1.5-343 mm (EXC. 4MATIC + EXC. AMG EXC. COUPE)"
15	-	04139	Bushing	2043502106 Part of	2043502206 Part of	-	33	-	04185	Track control arm-L	2043303111	2043306711	EXC. 4MATIC + EXC. AMG
16	-	04140	Bushing	2043502106 Part of	2043502206 Part of	-	34	-	04186	Track control arm-R	2043303211	2043306811	EXC. 4MATIC + EXC. AMG
17	-	04143	Bushing	053506103 Part of	2043501506 Part of	-	35	-	04250	Track control arm-L	2043304311	2043308711	EXC. 4MATIC + EXC. AMG
18	-	04144	Bushing	2043501506 Part of	2043501606 Part of	-	36	-	04251	Track control arm-R	2043304411	2043308811	EXC. 4MATIC + EXC. AMG
19	-	04148	Bushing	2043530043	2053520508	-							



C-CLASS (W205) (02/2014-->)
C-CLASS (S205) (09/2014-->)
C-CLASS COUPE (C205) (10/2015-->)





C-CLASS (W205) (02/2014-->)
C-CLASS (S205) (09/2014-->)
C-CLASS COUPE (C205) (10/2015-->)

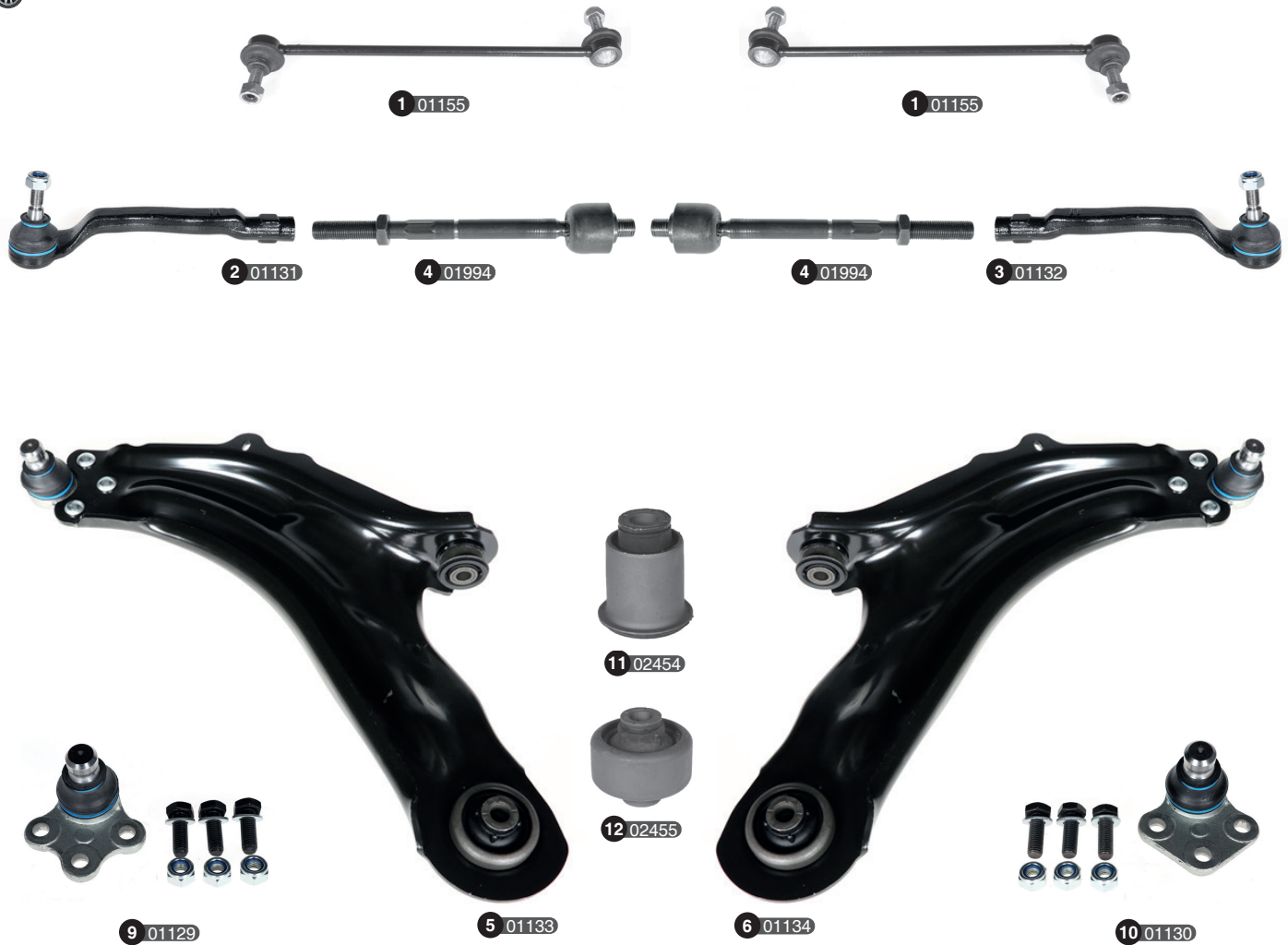




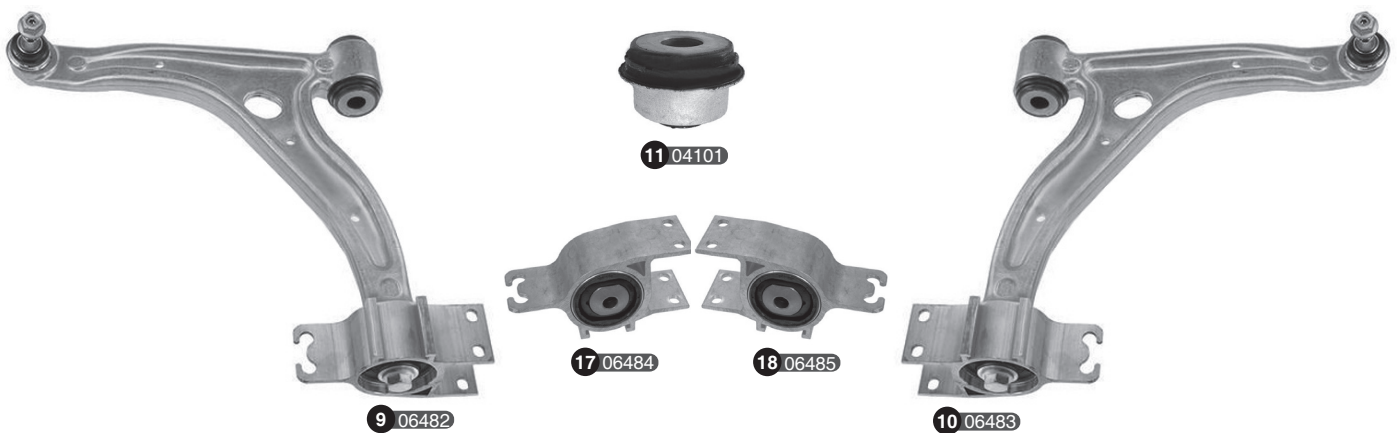
C-CLASS (W205) (02/2014-->)
C-CLASS (S205) (09/2014-->)
C-CLASS COUPE (C205) (10/2015-->)

Ref	Old code	CODE	Description	OE – Number	OE – Number	FEATURES	Ref	Old code	CODE	Description	OE – Number	OE – Number	FEATURES
1	-	04127	Stabilizer link-L	2053230717	-	Front EXC. 4MATIC	23	-	04152	Bushing	2043500553 Part of	2043500653 Part of	-
2	-	04128	Stabilizer link-R	2053230817	-	Front EXC. 4MATIC	24	-	03028	Track control arm	2043500029	2043502706	Rear
3	-	04153	Stabilizer link-L	2053260317	-	Rear	25	-	06097	Track control arm	2053305801	-	Lower (4MATIC COIL SUSP.)
4	-	04154	Stabilizer link-R	2053260417	-	Rear	26	-	04137	Track control arm-L	2043502106	2043503306	Rear
5	-	06084	Stabilizer link-L	2053230917	-	Front 4MATIC	27	-	04138	Track control arm-R	2043502206	2043503406	Rear
6	-	06085	Stabilizer link-R	2053231017	-	Front 4MATIC	28	-	04141	Track control arm-L	2043501506	2043503006	Rear
7	-	04124	Tie rod end-L	2054600605	-	EXC. 4MATIC	29	-	04142	Track control arm-R	2043501606	2043503106	Rear
8	-	04125	Tie rod end-R	2054600705	-	EXC. 4MATIC	30	-	04149	Track control arm-L	2043500553	2053506503	Rear
9	-	06086	Tie rod end-L	2054600005	-	4MATIC	31	-	04150	Track control arm-R	2043500653	2053506603	Rear
10	-	06087	Tie rod end-R	2054600105	-	4MATIC	32	-	06089	Track control arm-L	2053302107	2053306301	Lower (EXC. 4MATIC AIR SUSP.)
11	-	04126	Axial joint	2054600805	-	EXC. 4MATIC	33	-	06090	Track control arm-R	2053302207	2053306401	Lower (EXC. 4MATIC AIR SUSP.)
12	-	06088	Axial joint	2054600405	-	4MATIC							
13	-	04121	Control arm complete-L	2053305501	-	Upper	34	-	06092	Track control arm-L	2053301905	-	Lower (4MATIC COIL/AIR SUSP.)
14	-	04122	Control arm complete-R	2053305601	-	Upper	35	-	06093	Track control arm-R	2053302005	-	Lower (4MATIC COIL/AIR SUSP.)
15	-	04123	Bushing	2053305501 Part of	2053330314	Upper	36	-	04129	Track control arm-L	2053301505	-	Lower (EXC. 4MATIC)
16	-	04131	Bushing	2053301505 Part of	2053330014	Lower (EXC. 4MATIC / 4MATIC)	37	-	04130	Track control arm-R	2053301605	-	Lower (EXC. 4MATIC)
17	-	04139	Bushing	204521465	2043502106 Part of	-	38	-	04132	Track control arm-L	2053306101	-	Lower (EXC. 4MATIC COIL SUSP.)
18	-	04140	Bushing	2043502106 Part of	2043502206 Part of	-	39	-	04133	Track control arm-R	2053306201	-	Lower (EXC. 4MATIC COIL SUSP.)
19	-	04143	Bushing	053506103 Part of	2043501506 Part of	-	40	-	04135	Ball joint	20533060101	Part of	Lower (EXC. 4MATIC)
20	-	04144	Bushing	2043501506 Part of	2043501606 Part of	-	41	-	04134	Bushing	20533060101	Part of	Lower (ALL COIL SUSP.)
21	-	04148	Bushing	2043530043	2053520508	-	42	-	04136	Bushing	20533060101	Part of	Lower (EXC. 4MATIC)
22	-	04151	Bushing	2043500553 Part of	2043500653 Part of	-	43	-	06091	Bushing	20533062107	Part of	Lower (ALL. AIR. SUSP.)
							44	-	06098	Bushing	2053305801	Part of	Lower (4MATIC.)





Ref	Old code	CODE	Description	OE - Number	OE - Number	FEATURES	Ref	Old code	CODE	Description	OE - Number	OE - Number	FEATURES
1	RN160	01155	Stabilizer link	4153200189	8200166159	M10x1,5-283,5 mm (Front)	6	RN088-R	01134	Control arm complete-R	4153300200	8200586567	20-344 mm
2	RN085-L	01131	Tie rod end-L	4154600005	7701478407	M10x1,25-Female-M14x1,5-202 mm	7	RN087-L	02364	Control arm w/o ball joint-L	4153300300	8200586561	-
3	RN085-R	01132	Tie rod end-R	4154600105	7701478408	M10x1,25-Female-M14x1,5-202 mm	8	RN087-R	02365	Control arm w/o ball joint-R	4153300200	8200586567	-
4	-	01994	Axial joint	4153200089 Part of	485215612R	M14x1,5-M14x1,5-212 mm	9	RN084-L	01129	Ball joint-L	4153300300	8200586561	Lower-20
5	RN088-L	01133	Control arm complete-L	4153300300	8200586561	20-344 mm	10	RN084-R	01130	Ball joint-R	4153300200	8200586567	Lower-20
							11	-	02454	Bushing	8200586561	8200586567	Small
							12	-	02455	Bushing	8200586561	8200586567	Big





Ref	Old code	CODE	Description	OE - Number	OE - Number	FEATURES	Ref	Old code	CODE	Description	OE - Number	OE - Number	FEATURES
1	-	04106	Stabilizer link	2463200089	2463200689	Front	12	-	04109	Bushing	2463500300 Part of	2463500400 Part of	-
2	-	04116	Stabilizer link	2463200489	-	Rear (EXC. SPORT)	13	-	04111	Bushing	2463520265	-	STANDARD SUSPENSION
3	-	04117	Stabilizer link	2463200789	2463200100	Rear (SPORT EDITION)	14	-	04113	Bushing	2463520165	-	-14
4	-	04103	Tie rod end-L	2463301700	-	-	15	-	04099	Bushing-L	2463330014	2463330100	STANDARD SUSPENSION
5	-	04104	Tie rod end-R	2463301800	-	-	16	-	04100	Bushing-R	2463330200	2463330214	STANDARD SUSPENSION
6	-	04105	Axial joint	2463380000	-	-	17	-	06484	Bushing-L	2463330514	-	ADAPTIVE SUSPENSION
7	-	04097	Control arm complete-L	2463301707	2463304700	Lower (STANDARD SUSPENSION)	18	-	06485	Bushing-R	2463330614	-	ADAPTIVE SUSPENSION
8	-	04098	Control arm complete-R	2463301807	2463304800	Lower (STANDARD SUSPENSION)	19	-	04107	Track control arm-L	2463500406	-	Rear
9	-	06482	Control arm complete-L	1563300100	1563300500	ADAPTIVE SUSPENSION	20	-	04108	Track control arm-R	2463500506	-	Rear
10	-	06483	Control arm complete-R	1563300200	1563300600	ADAPTIVE SUSPENSION	21	-	04110	Track rod	2463500053	-	Rear (STANDARD SUSPENSION)
11	-	04101	Bushing	1563300100 Part of	1563300200 Part of	"STANDARD SUSPENSION ADAPTIVE SUSPENSION"	22	-	04112	Track rod	2463501006	-	Rear





Ref	Old code	CODE	Description	OE - Number	OE - Number	FEATURES	Ref	Old code	CODE	Description	OE - Number	OE - Number	FEATURES
1	-	01676	Stabilizer link	2033202189	2033202689	M12x1,5-277 mm (Front)	9	-	04172	Bushing	1243529065	2103502506 Part of	-
2	MCD23	00678	Stabilizer link	2033200489	2033202589	M10x1,5-277 mm (Front)	10	-	04173	Bushing	2103503306 Part of	2103520965	-
3	-	01568	Stabilizer link-L	2033200789	-	182,5 mm (Rear)	11	-	04175	Bushing	2103503806 Part of	1243500575	-
4	-	01569	Stabilizer link-R	2033200889	-	182,5 mm (Rear)	12	-	04178	Track rod	1243500129	2103500029	Rear
5	-	01494	Tie rod end-L	2033301903	2033302303	M14x1,5-Female-M14x1,5-175mm	13	-	03020	Bushing	2033330914	-	-
							14	-	04171	Track rod	2013504706	2013505606	Rear
6	-	01495	Tie rod end-R	2033302003	2033302403	M14x1,5-Female-M14x1,5-175mm	15	-	04174	Track rod	1243507606	1243507706	Rear
							16	MCD67-L	00712	Track control arm-L	2033300111	2033301611	M14x1,5-343 mm (Upper)
7	MCD52	00699	Axial joint	2203380715	2203380015	M14x1,5-M16x1,5-244 mm	17	MCD67-R	00713	Track control arm-R	2033300211	2033301711	M14x1,5-343 mm (Upper)
							18	-	02464	Track control arm-L	2033301911	2033303311	Forging-M14x1,5-345,6 mm
8	-	03019	Bushing	2033330214	2033331014	-	19	-	02465	Track control arm-R	2033302011	2033303411	Forging-M14x1,5-345,6 mm



CLK (C208) (06/1997-06/2002)

CLK (A208) (06/1997-06/2002)



3 00677



3 00677



4 03613



7 03615



5 03614



6 00683

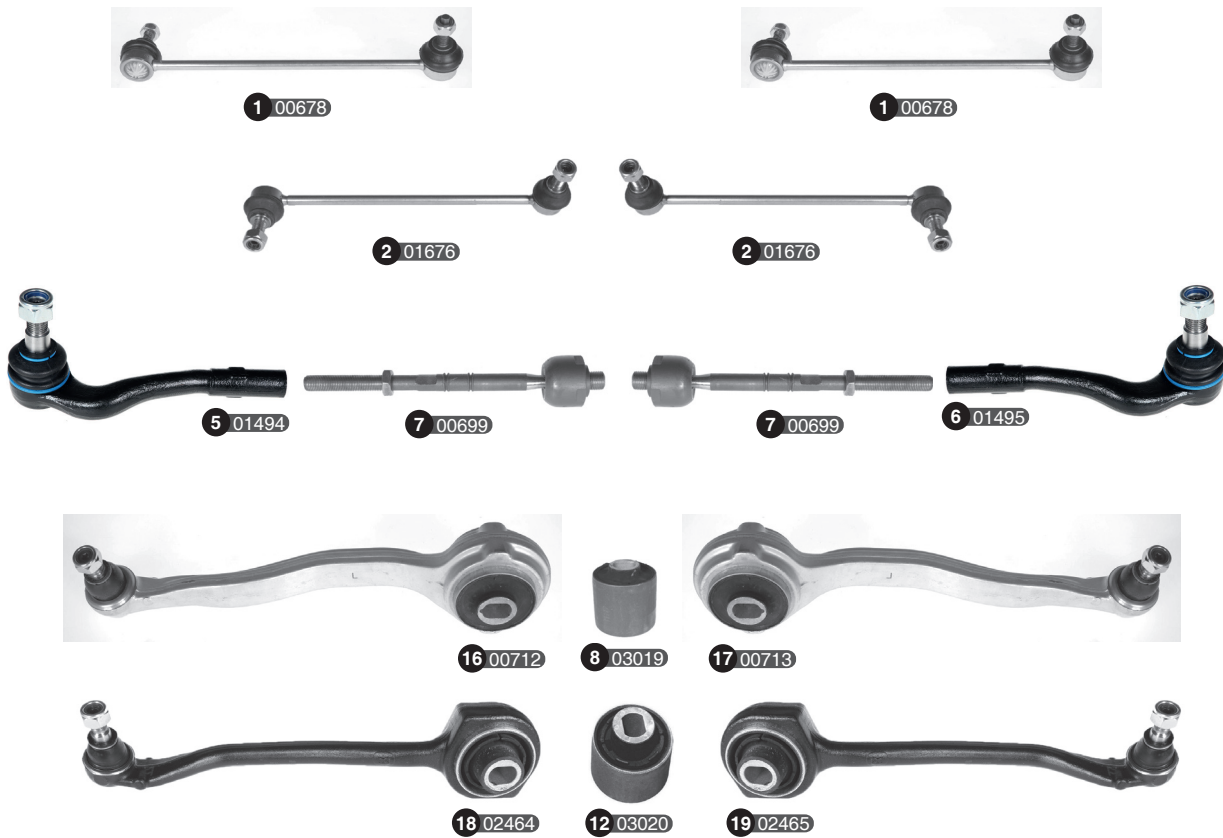


6 00683





Ref	Old code	CODE	Description	OE - Number	OE - Number	FEATURES	Ref	Old code	CODE	Description	OE - Number	OE - Number	FEATURES
1	MCD01	00663	Stabilizer link	1243200264	-	M10x1,25-200 mm (Rear)	6	MCD28	00683	Ball joint	2023330027	-	M14x1,5-Male-M14x1,5-73mm (Upper)
2	MCD31	00685	Stabilizer link	1243500153	-	M10x1,25-245 mm (Rear)	7	-	03615	Bushing	2023337714	-	Upper
3	MCD22	00677	Tie rod end	0003307435	-	M12x1,5-Female-M12x1,5-70 mm	8	-	04172	Bushing	1243529065	-	-
							9	-	04173	Bushing	2103503306 Part of	-	-
4	-	03613	Control arm complete-L	2023303007	-	Upper	10	-	04175	Bushing	2103503406 Part of	-	-
							11	-	04178	Track rod	1243500129	-	Rear
5	-	03614	Control arm complete-R	2023302007	-	Upper	12	-	04171	Track rod	2013504706	-	Rear
							13	-	04174	Track rod	1243507606	-	Rear





Ref	Old code	CODE	Description	OE - Number	OE - Number	FEATURES	Ref	Old code	CODE	Description	OE - Number	OE - Number	FEATURES	
1	MCD23	00678	Stabilizer link	2033200489	2033202589	"M10x1,5-277 mm (FRONT EXC. SPORT CHASSIS)"	8	-	03019	Bushing	2033330214	2033331014	-	
							9	-	04172	Bushing	1243529065	2103502506	Part of	-
							10	-	04173	Bushing	2103503306	2103520965	Part of	-
2	-	01676	Stabilizer link	2033202189	2033202689	"M12x1,5-277 mm (FRONT SPORT CHASSIS)"	11	-	04178	Track rod	1243500129	2103500029	Rear	
							12	-	03020	Bushing	2033330914	-	Rear	
3	-	01568	Stabilizer link-L	2033200789	-	182,5 mm (Rear)	13	-	04175	Bushing	1243500575	2103502506	Part of	-
4	-	01569	Stabilizer link-R	2033200889	-	182,5 mm (Rear)	14	-	04171	Track rod	2013504706	2013505606	Rear	
5	-	01494	Tie rod end-L	2033301903	2033302303	M14x1,5-Female-M14x1,5-175mm	15	-	04174	Track rod	1243507606	1243507706	Rear	
							16	MCD67-L	00712	Track control arm-L	2033300111	2033301611	M14x1,5-343 mm (Upper)	
6	-	01495	Tie rod end-R	2033302003	2033302403	M14x1,5-Female-M14x1,5-175mm	17	MCD67-R	00713	Track control arm-R	2033300211	2033301711	M14x1,5-343 mm (Upper)	
							18	-	02464	Track control arm-L	2033301911	2033303311	Forging-M14x1,5-345,6 mm	
7	MCD52	00699	Axial joint	2203380715	2203380015	M14x1,5-M16x1,5-244 mm	19	-	02465	Track control arm-R	2033302011	2033303411	Forging-M14x1,5-345,6 mm	





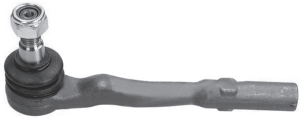
Ref	Old code	CODE	Description	OE - Number	OE - Number	FEATURES	Ref	Old code	CODE	Description	OE - Number	OE - Number	FEATURES
1	-	02048	Stabilizer link-L	2043200589	-	M10x1,5-233 mm (Rear)	16	-	04144	Bushing	2043501506 Part of	2043501606 Part of	-
2	-	02049	Stabilizer link-R	2043200489	-	M10x1,5-233 mm (Rear)	17	-	04148	Bushing	2043500043	2053520508	-
3	-	06456	Stabilizer link-L	2123202589	-	Front 4MATIC	18	-	04151	Bushing	2043500553 Part of	2043500653 Part of	-
4	-	06457	Stabilizer link-R	2123202689	-	Front 4MATIC	19	-	04152	Bushing	2043500553 Part of	2043500653 Part of	-
5	-	06436	Stabilizer link-L	2123201189	-	Front EXC. 4MATIC	20	-	06455	Bushing	2043330314 Part of	2123301911 Part of	4MATIC
6	-	06437	Stabilizer link-R	2123201289	-	Front EXC. 4MATIC	21	-	03028	Track control arm	2043500029	2043502706	Rear
7	-	06458	Tie rod end-L	2123302303	2183300300	EXC.4MATIC	22	-	06475	Track control arm	2123301911	-	Lower (4MATIC)
8	-	06459	Tie rod end-R	2123302203	2183300400	EXC.4MATIC	23	-	04137	Track control arm-L	2043502106	2043503306	Rear
9	-	06463	Tie rod end-L	2123302403	2124600105	4MATIC	24	-	04138	Track control arm-R	2043502206	2043503406	Rear
10	-	06464	Tie rod end-R	2123302703	2124600205	4MATIC	25	-	04141	Track control arm-L	2043501506	2043503006	Rear
11	-	06454	Axial joint	2123302803	-	"EXC. 4MATIC 4MATIC"	26	-	04142	Track control arm-R	2043501606	2043503106	Rear
12	-	06471	Ball joint	2123300135	-	EXC. 4MATIC	27	-	04149	Track control arm-L	2043500553	2053506503	Rear
13	-	04139	Bushing	2043502206 Part of	2043502106 Part of	-	28	-	04150	Track control arm-R	2043500653	2053506603	Rear
14	-	04140	Bushing	2043502106 Part of	2043502206 Part of	-							
15	-	04143	Bushing	053506103 Part of	2043501506 Part of	-							



2 00691



3 00692



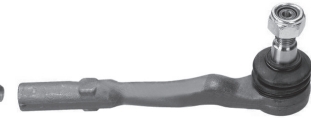
4 00708



6 00699



6 00699



5 00709



7 06489



14 06491



8 06490



11 03031

11 03031



10 01708



9 00689



27 03276



30 06494



28 03277



10 01708



9 00689



29 06493



29 06493



15 06495



19 06496



12 04148



20 06497



15 06495



25 00714

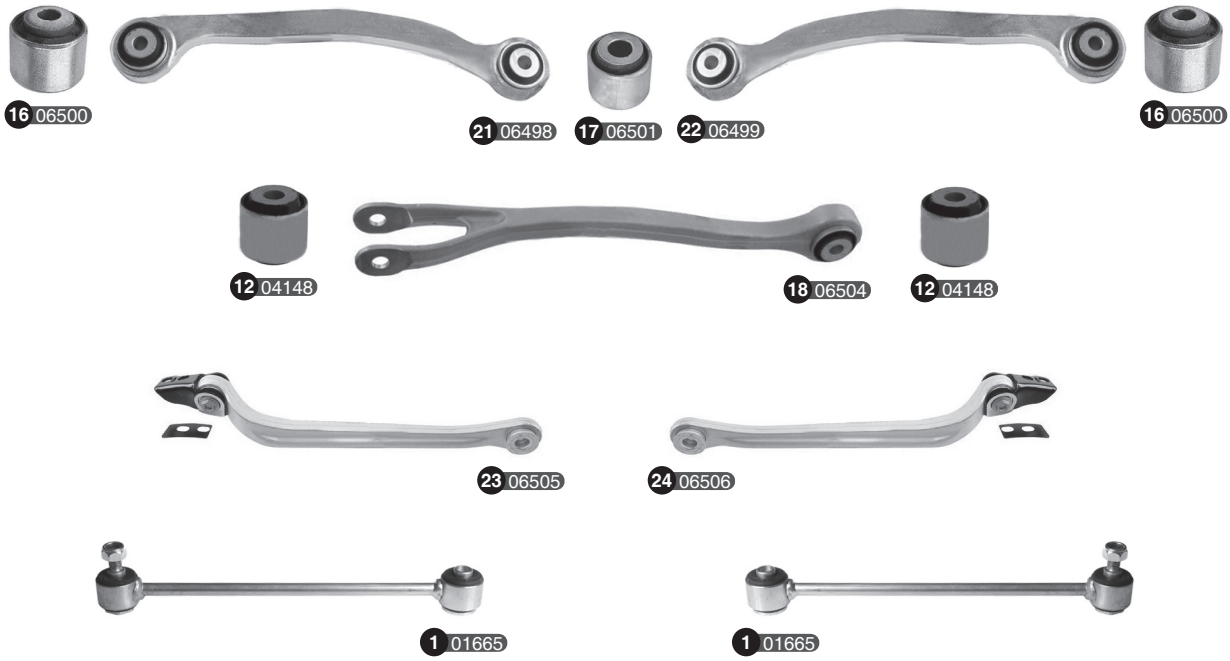


13 05259



26 00715





Ref	Old code	CODE	Description	OE - Number	OE - Number	FEATURES	Ref	Old code	CODE	Description	OE - Number	OE - Number	FEATURES
1	-	01665	Stabilizer link	2113200889	2113203389	M10x1,5-261 mm (Rear)	17	-	06501	Bushing	2113520865	-	-
2	MCD46-L	00691	Stabilizer link-L	2113200989	2113203989	130,5 mm (Front)	18	-	06504	Track control arm	2303502006	-	Lower
3	MCD46-R	00692	Stabilizer link-R	2113201089	2113203889	130,5 mm (Front)	19	-	06496	Track control arm-L	2303503506	-	Rear
4	MCD65-L	00708	Tie rod end-L	2113300103	2113302303	-	20	-	06497	Track control arm-R	2303503606	-	Rear
5	MCD65-R	00709	Tie rod end-R	2113300203	2113302403	-	21	-	06498	Track control arm-L	2303502706	-	Rear
6	MCD52	00699	Axial joint	2203380715	2203380015	M14x1,5- M16x1,5-244 mm	22	-	06499	Track control arm-R	2303502806	-	Rear
7	-	06489	Upper control arm complete-L	2113304307	2113306707	Upper	23	-	06505	Track control arm-L	2303500329	-	-
8	-	06490	Upper control arm complete-R	2113304407	2113306807	Upper	24	-	06506	Track control arm-R	2303500429	-	Lower
9	MCD38	00689	Ball joint	2113300235	2203300427	Lower-M14x1,5	25	MCD68-L	00714	Track control arm-L	2113301111	2113301511	Aluminium-M14x1.5-385,3 mm (Lower)
10	-	01708	Ball joint	2113230068	2203230368	Lower-M14x1,5	26	MCD68-R	00715	Track control arm-R	2113301211	2113301611	Aluminium-M14x1.5-385,3 mm (Lower)
11	-	03031	Ball joint	2113310008	2113308907 Part of	Upper	27	-	03276	Track control arm-L	2113308107	2113309107	Lower
12	-	04148	Bushing	2043530043	2053520508	-	28	-	03277	Track control arm-R	2113308207	2113309207	Lower
13	-	05259	Bushing	2113332914	-	Lower	29	-	06493	Bushing	2113331914	-	Lower
14	-	06491	Bushing	2113306707 Part of	2113306807 Part of	Upper	30	-	06494	Bushing	2303330614	-	Lower
15	-	06495	Bushing	2303503506 Part of	2303503606 Part of	-							
16	-	06500	Bushing	2303502706 Part of	2303502806 Part of	-							



E-CLASS (C124) 4MATIC (12/1984-06/1995)
E-CLASS (W124) 4MATIC (12/1984-06/1995)
E-CLASS (T124) 4MATIC (12/1984-06/1995)



4 00682



4 00682



7 04173



11 04171



6 04172



8 04175



12 04174



6 04172



6 04172



9 04178



8 04175



2 00685



2 00685



1 00663



1 00663



3 01652



3 01652



Ref	Old code	CODE	Description	OE - Number	OE - Number	FEATURES	Ref	Old code	CODE	Description	OE - Number	OE - Number	FEATURES
1	MCD01	00663	Stabilizer link	1243200264	1243200289	M10x1,25-200 mm (Rear Plastic)	5	-	04172	Bushing	1243529065	2103502506 Part of	-
2	MCD31	00685	Stabilizer link	1243500153	2013502753	M10x1,25-245 mm (Rear)	6	-	04173	Bushing	2103503306 Part of	2103520965	-
3	-	01652	Stabilizer link	1243200489	-	M10x1,5-200 mm (Rear Metal)	7	-	04175	Bushing	2103503406 Part of	1243500575	-
4	MCD27	00682	Ball joint	1243330127	1243330327	Lower-18	8	-	04178	Track rod	2103503806	2103500029	Rear
							9	-	04171	Track rod	2013504706	2013505606	Rear
							10	-	04174	Track rod	1243507606	1243507706	Rear



E-CLASS (C124) EXC. 4MATIC (12/1984-06/1995)
E-CLASS (W124) EXC. 4MATIC (12/1984-06/1995)
E-CLASS (T124) EXC. 4MATIC (12/1984-06/1995)



Ref	Old code	CODE	Description	OE - Number	OE - Number	FEATURES	Ref	Old code	CODE	Description	OE - Number	OE - Number	FEATURES
1	MCD01	00663	Stabilizer link	1243200264	1243200289	M10x1,25-200 mm (Rear Plastic)	6	-	04172	Bushing	1243529065	2103502506 Part of	-
2	MCD31	00685	Stabilizer link	1243500153	2013501953	M10x1,25-245 mm (Rear)	7	-	04173	Bushing	2103503306 Part of	2103520965	-
3	-	01652	Stabilizer link	1243200489	-	M10x1,5-200 mm (Rear Metal)	8	-	04175	Bushing	2103503406 Part of	2103502506 Part of	-
4	MCD58	00701	Tie rod end	0003385610	0003385910	-	9	-	04178	Track rod	2103503806	2103500029	Rear
5	MCD27	00682	Ball joint	1243330127	1243330327	Lower-18	10	-	04171	Track rod	2013504706	2013505606	Rear
							11	-	04174	Track rod	1243507606	1243507706	Rear





14 00683



14 00683



15 00689



16 01708



16 01708



15 00689



26 06511



38 06494



27 06512



39 06493



39 06493



22 06495



28 06496



18 04148



29 06497



22 06495



23 06500



30 06498



24 06501



31 06499



23 06500



32 06505



33 06506



18 04148



25 06504



18 04148



1 01665



1 01665





Ref	Old code	CODE	Description	OE - Number	OE - Number	FEATURES	Ref	Old code	CODE	Description	OE - Number	OE - Number	FEATURES
1	-	01665	Stabilizer link	2113200889	2113203389	M10x1,5-261 mm (Rear)	21	-	06491	Bushing	2113306707 Part of	2113306807 Part of	EXC. 4MATIC
2	MCD46-L	00691	Stabilizer link-L	2113200989	2113203989	130,5 mm (Front EXC. 4MATIC)	22	-	06495	Bushing	2303503506 Part of	2303503606 Part of	-
3	MCD46-R	00692	Stabilizer link-R	2113201089	2113203889	130,5 mm (Front EXC. 4MATIC)	23	-	06500	Bushing	2303502706 Part of	2303502806 Part of	-
4	-	06507	Stabilizer link-L	2113204789	-	Front 4MATIC	24	-	06501	Bushing	2113520865	-	-
5	-	06508	Stabilizer link-R	2113204889	-	Front 4MATIC	25	-	06504	Track control arm	2303502006	-	Lower
6	MCD65-L	00708	Tie rod end-L	2113300103	2113302303	EXC. 4MATIC	26	-	06511	Track control arm-L	2113308107	-	-> 06/2006
7	MCD65-R	00709	Tie rod end-R	2113300203	2113302403	EXC. 4MATIC	27	-	06512	Track control arm-R	2113308207	-	Lower (-> 06/2006)
8	-	06509	Tie rod end-L	2203381315	-	4MATIC	28	-	06496	Track control arm-L	2303503506	-	Rear
9	-	06510	Tie rod end-R	2203381415	-	4MATIC	29	-	06497	Track control arm-R	2303503606	-	Rear
10	MCD52	00699	Axial joint	2203380715	2203380015	M14x1,5-M16x1,5-244 mm (EXC. 4MATIC)	30	-	06498	Track control arm-L	2303502706	-	Rear
11	-	01835	Axial joint	2113380015	-	M14x1,5-M16x1,5-224 m (4MATIC)	31	-	06499	Track control arm-R	2303502806	-	Rear
12	-	06489	Upper control arm complete-L	2113304307	2113306707	EXC. 4MATIC	32	-	06505	Track control arm-L	2303500329	-	-
13	-	06490	Upper control arm complete-R	2113304407	2113309007	EXC. 4MATIC	33	-	06506	Track control arm-R	2303500429	-	Lower
14	MCD28	00683	Ball joint	2023330027	2103300035	Lower-M14x1,5-Male-M14x1,5-73mm (4MATIC)	34	MCD68-L	00714	Track control arm-L	2113301111	2113301511	Aluminium-M14x1,5-385,3 mm (EXC. 4MATIC)
15	MCD38	00689	Ball joint	2113300235	2203300427	"Lower-M14x1,5 (-> 06/2006 07/2005 ->)"	35	MCD68-R	00715	Track control arm-R	2113301211	2113301611	Aluminium-M14x1,5-385,3 mm (EXC. 4MATIC)
16	-	01708	Ball joint	2113230068	2203230368	"Lower-M14x1,5 (-> 06/2006 07/2005 ->)"	36	-	03276	Track control arm-L	2113308107	-	07/2005 ->
17	-	03031	Ball joint	2113310008	2113308907 Part of	Lower-M10x1,5 (EXC. 4MATIC)	37	-	03277	Track control arm-R	2113308207	-	07/2005 ->
18	-	04148	Bushing	2043530043	2053520508	-	38	-	06494	Bushing	2303330614	-	Lower
19	-	04188	Bushing	2113331114	-	-> 06/2006	39	-	06493	Bushing	2113331914	-	Lower
20	-	05259	Bushing	2113332914	-	EXC. 4MATIC							







Ref	Old code	CODE	Description	OE - Number	OE - Number	FEATURES	Ref	Old code	CODE	Description	OE - Number	OE - Number	FEATURES
1	MCD01	00663	Stabilizer link	1243200264	1243200289	M10x1,25-200 mm (Rear)	10	-	02783	Axial joint	2103381115	-	M14x1,5-M16x1,5-210 mm (4MATIC)
2	MCD31	00685	Stabilizer link	1243500153	2013502753	M10x1,25-245 mm (Rear)	11	-	03613	Control arm complete-L	2023303007	2023303607	Lower (EXC. 4MATIC)
3	MCD49-L	00694	Stabilizer link-L	2103202189	2103203689	115 mm (Front EXC. 4MATIC)	12	-	03614	Control arm complete-R	2023302007	2023303107	Lower (EXC. 4MATIC)
4	MCD49-R	00695	Stabilizer link-R	2103202289	2103203789	115 mm (Front EXC. 4MATIC)	13	MCD28	00683	Ball joint	2023330027	2103300035	Lower-M14x1,5-Male-M14x1,5-73mm
5	MCD64-L	00706	Tie rod end-L	2103380515	-	"M14x1,5-Female-M14x1,5-150mm (EXC. 4MATIC)"	14	-	03615	Bushing	2023337714	-	EXC. 4MATIC
6	MCD64-R	00707	Tie rod end-R	2103380615	-	"M14x1,5-Female-M14x1,5-150mm (EXC. 4MATIC)"	15	-	04172	Bushing	1243529065	2103502506 Part of	-
7	-	06439	Tie rod end-L	2103380915	-	4MATIC	16	-	04173	Bushing	2103503306 Part of	2103520965	-
8	-	06440	Tie rod end-R	2103381015	-	4MATIC	17	-	04175	Bushing	2103503406 Part of	1243500575	-
9	-	01477	Axial joint	2103380415	-	M14x1,5-M16x1,5-245 mm (EXC. 4MATIC)	18	-	04178	Track rod	1243500129	2103500029	Rear
							19	-	04171	Track rod	2013504706	2013505606	Rear
							20	-	04174	Track rod	1243507606	1243507706	Rear



3 06436



4 06437



5 06456



6 06457



7 06458



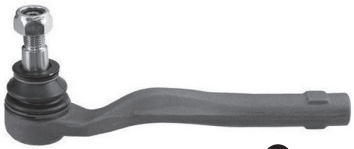
14 06460



14 06460



8 06459



9 06461



13 02782



13 02782



10 06462



11 06463



15 06454



15 06454



12 06464



34 06465



24 06467



35 06466



16 06471



36 06468



38 06470



37 06469



16 06471



27 06475

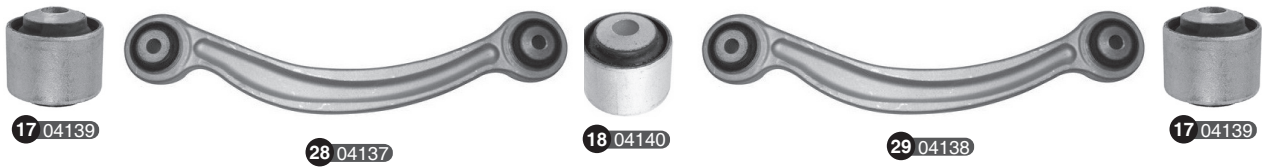


25 06455



27 06475







Ref	Old code	CODE	Description	OE – Number	OE – Number	FEATURES	Ref	Old code	CODE	Description	OE – Number	OE – Number	FEATURES
1	-	02048	Stabilizer link-L	2043200589	-	M10x1,5-233 mm (Rear)	20	-	04144	Bushing	2043501506 Part of	2043501606 Part of	-
2	-	02049	Stabilizer link-R	2043200489	-	M10x1,5-233 mm (Rear)	21	-	04148	Bushing	2043530043	2053520508	-
3	-	06436	Stabilizer link-L	2123201189	-	Front EXC. 4MATIC	22	-	04151	Bushing	2043500553 Part of	2043500653 Part of	-
4	-	06437	Stabilizer link-R	2123201289	-	Front EXC. 4MATIC	23	-	04152	Bushing	2043500553 Part of	2043500653 Part of	-
5	-	06456	Stabilizer link-L	2123202589	-	Front 4MATIC	24	-	06467	Bushing	2123330014	-	EXC. 4MATIC
6	-	06457	Stabilizer link-R	2123202689	-	Front 4MATIC	25	-	06455	Bushing	2043330314 Part of	2123301911 Part of	4MATIC
7	-	06458	Tie rod end-L	2123302303	2183300300	EXC. 4MATIC	26	-	03028	Track control arm	2043500029	2043502706	Rear
8	-	06459	Tie rod end-R	2123302203	2183300400	EXC. 4MATIC	27	-	06475	Track control arm	2123301911	-	Lower (4MATIC)
9	-	06461	Tie rod end-L	2043301903	-	4MATIC HYDRO. PS	28	-	04137	Track control arm-L	2043502106	2043503306	Rear
10	-	06462	Tie rod end-R	2043302003	2123301403	4MATIC HYDRO. PS	29	-	04138	Track control arm-R	2043502206	2043503406	Rear
11	-	06463	Tie rod end-L	2123302403	2124600105	4MATIC ELEC. PS	30	-	04141	Track control arm-L	2043501506	2043503006	Rear
12	-	06464	Tie rod end-R	2123302703	2124600205	4MATIC ELEC. PS	31	-	04142	Track control arm-R	2043501606	2043503106	Rear
13	-	02782	Axial joint	2043380315	2043380515	"M14x1,5-M16x1,5-245 mm (4MATIC HYDRO. PS)"	32	-	04149	Track control arm-L	2043500553	2053506503	Rear
14	-	06460	Axial joint	2123302103	-	EXC. 4MATIC	33	-	04150	Track control arm-R	2043500653	2053506603	Rear
15	-	06454	Axial joint	2123302803	-	4MATIC ELEC. PS	34	-	06465	Track control arm-L	2123302711	-	Lower (EXC. 4MATIC)
16	-	06471	Ball joint	2123300135	-	EXC. 4MATIC	35	-	06466	Track control arm-R	2123302811	-	Lower (EXC. 4MATIC)
17	-	04139	Bushing	2043502206 Part of	2043502106 Part of	-	36	-	06468	Track control arm-L	2123302911	2123303900	Lower (EXC. 4MATIC)
18	-	04140	Bushing	2043502106 Part of	2043502206 Part of	-	37	-	06469	Track control arm-R	2123303011	2123304000	Lower (EXC. 4MATIC)
19	-	04143	Bushing	053506103 Part of	2043501506 Part of	-	38	-	06470	Bushing	2123302911 Part of	-	Lower (EXC. 4MATIC)





E-CLASS (W213) (01/2016-->)

E-CLASS (S213) (07/2016-->)

E-CLASS ALL-TERRAIN (S213) (01/2017-->)





E-CLASS (W213) (01/2016-->)

E-CLASS (S213) (07/2016-->)

E-CLASS ALL-TERRAIN (S213) (01/2017-->)



17 04139



28 04137



18 04140



29 04138



17 04139



19 04143



30 04141



20 04144



31 04142



19 04143



23 04152



32 04149



22 04151



33 04150



23 04152



38 04135



38 04135



26 06089



40 04136



27 06090



41 06091



38 04135



41 06091



38 04135



36 04132



40 04136



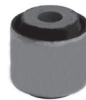
37 04133



39 04134



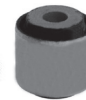
39 04134



21 04148



25 03028



21 04148



5 04153



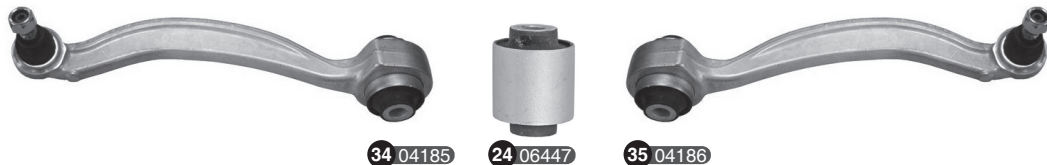
6 04154





Ref	Old code	CODE	Description	OE – Number	OE – Number	FEATURES	Ref	Old code	CODE	Description	OE – Number	OE – Number	FEATURES
1	-	06084	Stabilizer link-L	2053230917	-	Front (4MATIC)	26	-	06089	Track control arm-L	2053302107	2053306301	Lower (EXC. 4MATIC AIR SUSP.)
2	-	06085	Stabilizer link-R	2053231017	-	Front (4MATIC)	27	-	06090	Track control arm-R	2053302207	2053306401	Lower (EXC. 4MATIC AIR SUSP.)
3	-	04127	Stabilizer link-L	2053230717	-	Front (EXC. 4MATIC)	28	-	04137	Track control arm-L	2043502106	2043503306	Rear
4	-	04128	Stabilizer link-R	2053230817	-	Front (EXC. 4MATIC)	29	-	04138	Track control arm-R	2043502206	2043503406	Rear
5	-	04153	Stabilizer link-L	2053260317	-	Rear	30	-	04141	Track control arm-L	2043501506	2043503006	Rear
6	-	04154	Stabilizer link-R	2053260417	-	Rear	31	-	04142	Track control arm-R	2043501606	2043503106	Rear
7	-	06086	Tie rod end-L	2054600005	-	4MATIC	32	-	04149	Track control arm-L	2043500553	2053506503	Rear
8	-	06087	Tie rod end-R	2054600105	-	4MATIC	33	-	04150	Track control arm-R	2043500653	2053506603	Rear
9	-	04124	Tie rod end-L	2054600605	-	EXC. 4MATIC	34	-	04129	Track control arm-L	2053301305	2053301505	Lower (EXC. 4MATIC)
10	-	04125	Tie rod end-R	2054600705	-	EXC. 4MATIC	35	-	04130	Track control arm-R	2053301405	2053301605	Lower (EXC. 4MATIC)
11	-	06088	Axial joint	2054600405	-	4MATIC	36	-	04132	Track control arm-L	2053301907	2053305901	Lower (EXC. 4MATIC COIL SUSP.)
12	-	04126	Axial joint	2054600805	-	EXC. 4MATIC	37	-	04133	Track control arm-R	2053302007	2053306001	Lower (EXC. 4MATIC COIL SUSP.)
13	-	04121	Control arm complete-L	2053305501	-	Upper	38	-	04135	Ball joint	2053306101	-	Lower (EXC. 4MATIC COIL SUSP.)
14	-	04122	Control arm complete-R	2053305601	-	Upper	39	-	04134	Bushing	2053306101	-	Lower (ALL COIL SUSP.)
15	-	04123	Bushing	2053330314	2053305501 Part of	Upper	40	-	04136	Bushing	2053306101	-	Lower (EXC. 4MATIC COIL SUSP.)
16	-	04131	Bushing	2053301305	2053301405 Part of	Lower (EXC. 4MATIC)	41	-	06091	Bushing	2053302107	-	Lower (ALL AIR SUSP.)
17	-	04139	Bushing	204521465	2043502106 Part of	-	42	-	06098	Bushing	2053305801	-	Lower (EXC. 4MATIC COIL SUSP.)
18	-	04140	Bushing	2043502106	2043502206 Part of	-							
19	-	04143	Bushing	053506103	2043501506 Part of	-							
20	-	04144	Bushing	2043501506	2043501606 Part of	-							
21	-	04148	Bushing	2043530043	2053520508	-							
22	-	04151	Bushing	2043500553	2043500653 Part of	-							
23	-	04152	Bushing	2043500553	2043500653 Part of	-							
24	-	06097	Track control arm	2053305801	-	Lower (4MATIC COIL SUSP.)							
25	-	03028	Track control arm	2043500029	2043502706	-							







16_04139



26_04137



17_04140



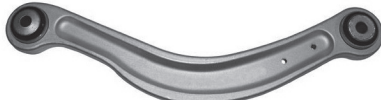
27_04138



16_04139



18_04143



28_04141



19_04144



29_04142



18_04143



22_04152



30_04149



21_04151



31_04150



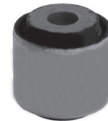
22_04152



20_04148



25_03028



20_04148



1_02048



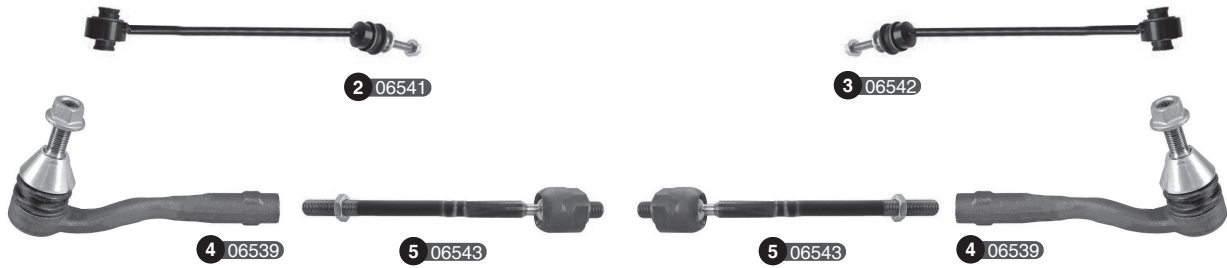
2_02049





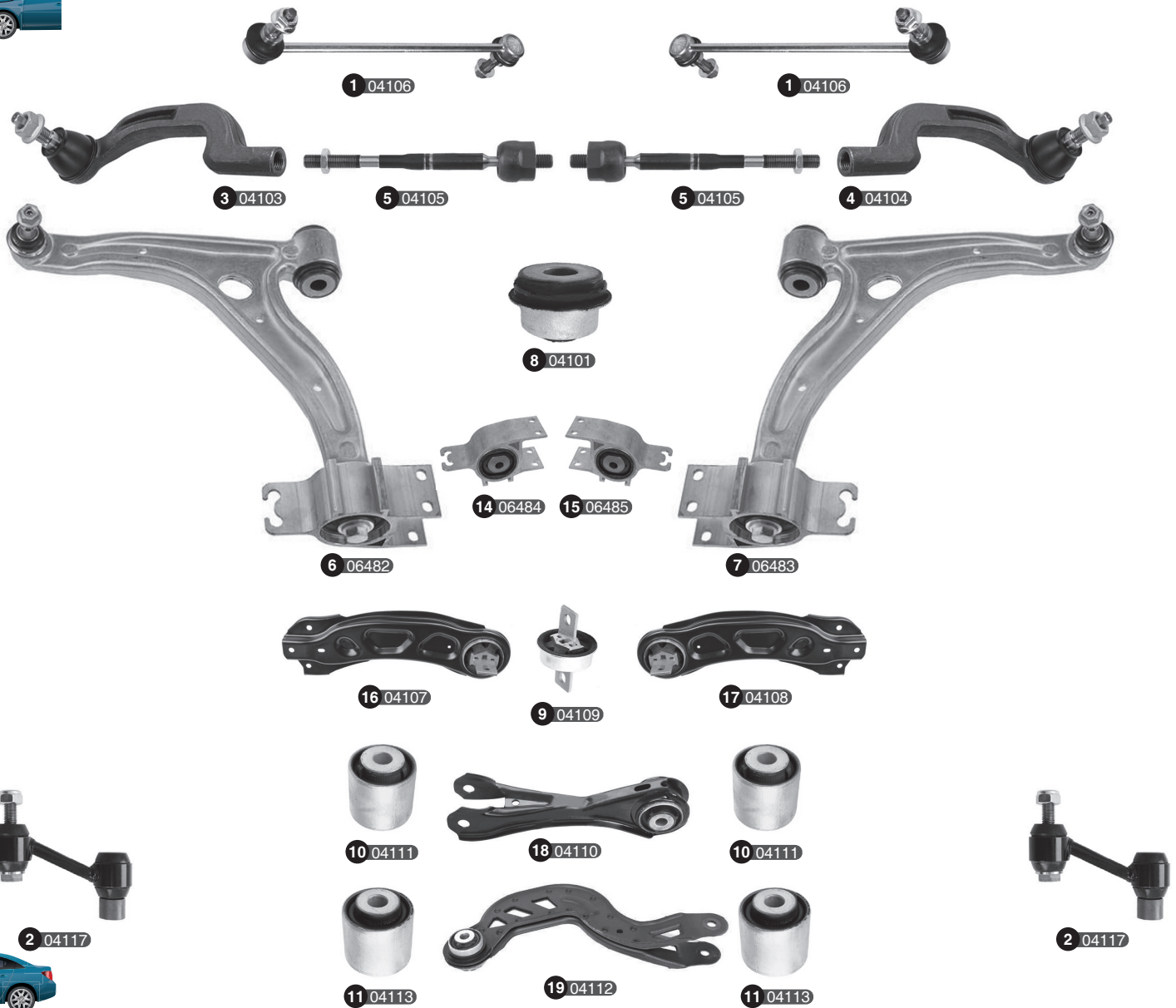
Ref	Old code	CODE	Description	OE – Number	OE – Number	FEATURES	Ref	Old code	CODE	Description	OE – Number	OE – Number	FEATURES
1	-	02048	Stabilizer link-L	2043200589	-	M10x1,5-233 mm (Rear)	17	-	04140	Bushing	2043502106 Part of	2043502206 Part of	-
2	-	02049	Stabilizer link-R	2043200489	-	M10x1,5-233 mm (Rear)	18	-	04143	Bushing	053506103 Part of	2043501506 Part of	-
3	-	03025	Stabilizer link-L	2043201789 Part of	2043203789 Part of	"M12x1,5-306 mm (FRONT EXC. SPORT SUSP. EXC. 4MATIC)"	19	-	04144	Bushing	2043501506 Part of	2043501606 Part of	-
							20	-	04148	Bushing	2043530043	2053520508	-
4	-	03026	Stabilizer link-R	2043201889 Part of	2043203889 Part of	"M12x1,5-306 mm (FRONT EXC. SPORT SUSP. EXC. 4MATIC)"	21	-	04151	Bushing	2043500553 Part of	2043500653 Part of	-
							22	-	04152	Bushing	2043500553 Part of	2043500653 Part of	-
5	-	02050	Stabilizer link-L	2043201789	2043203789	M12x1,5-306 mm (Front (S16))	23	-	04193	Bushing	2043500075	2043500275	-
							24	-	06447	Bushing	2043330414	2043306711 Part of	-
6	-	02051	Stabilizer link-R	2043203889	-	M12x1,5-306 mm (Front (S16))	25	-	03028	Track control arm	2043500029	2043502706	Rear
							26	-	04137	Track control arm-L	2043502106	2043503306	Rear
7	-	03021	Tie rod end-L	2043300903	-	"HYDRO. PS ELEC. PS COUPE ELEC. PS CABRIO"	27	-	04138	Track control arm-R	2043502206	2043503406	Rear
							28	-	04141	Track control arm-L	2043501506	2043503006	Rear
8	-	03022	Tie rod end-R	2043301003	-	"HYDRO. PS ELEC. PS COUPE ELEC. PS CABRIO"	29	-	04142	Track control arm-R	2043501606	2043503106	Rear
							30	-	04149	Track control arm-L	2043500553	2053506503	Rear
9	-	04182	Tie rod end-L	2043303303	-	4MATIC	31	-	04150	Track control arm-R	2043500653	2053506603	Rear
10	-	04183	Tie rod end-R	2043303403	-	4MATIC	32	MCD67-L	00712	Track control arm-L	2033300111	2033301611	Upper-M14x1.5-343 mm (EXC. 4MATIC)
11	-	03027	Axial joint	2043380015	2043380415	M14x1,5-M16x1,5-261 mm (HYDRO. PS)							33
12	-	04184	Axial joint	2073300500	-	ELEC. PS CABRIO	34	-	04185	Track control arm-L	2043303111	2043306711	
13	-	06454	Axial joint	2123302803	-	ELEC. PS COUPE	35	-	04186	Track control arm-R	2043303211	2043306811	-
14	-	02782	Axial joint	2043380315	2043380515	M14x1,5-M16x1,5-245 mm (4MATIC)	36	-	04250	Track control arm-L	2043304311	2043308711	4MATIC
15	-	03019	Bushing	2033330214	2033331014	4MATIC							37
16	-	04139	Bushing	2043502106 Part of	2043502206 Part of	-							







Ref	Old code	CODE	Description	OE - Number	OE - Number	FEATURES	Ref	Old code	CODE	Description	OE - Number	OE - Number	FEATURES
1	-	03016	Stabilizer link	1643201232	-	M14x1.5-117 mm (Rear)	12	-	06546	Bushing	1663330000	1663330714	Upper
2	-	06541	Stabilizer link-L	1663200789	-	Front	13	-	06549	Bushing	1663330200	1663330414	Lower
3	-	06542	Stabilizer link-R	1663200889	-	Front	14	-	06550	Bushing	1663330100	1663330214	Lower
4	-	06539	Tie rod end	1663300403	-	-	15	-	06534	Bushing	1643500275 Part of	1643501306 Part of	-
5	-	06543	Axial joint	1663380315	-	-	16	-	03752	Bushing	1643520365	A1643520365	-
6	-	06547	Control arm complete-L	1663300107	-	Lower	17	-	06552	Bushing-L	1663300143	-	Lower
7	-	06548	Control arm complete-R	1663300207	-	Lower	18	-	06553	Bushing-R	1663300243	-	Lower
8	-	06544	Upper control arm complete-L	1663301707	-	Upper	19	-	06555	Track rod	1663500306	-	Rear
9	-	06545	Upper control arm complete-R	1663301807	-	Upper	20	-	06556	Track rod-L	1663500106	-	Rear
10	-	06551	Ball joint	1663300235	-	Lower	21	-	06593	Track rod-R	1663500206	-	Rear
11	-	03014	Ball joint	1643520327	1663500408 Part of	Lower-M16x1,5	22	-	06536	Track rod	1643500053	1663500053	Rear
							23	-	06537	Bushing	1643500553 Part of	-	-

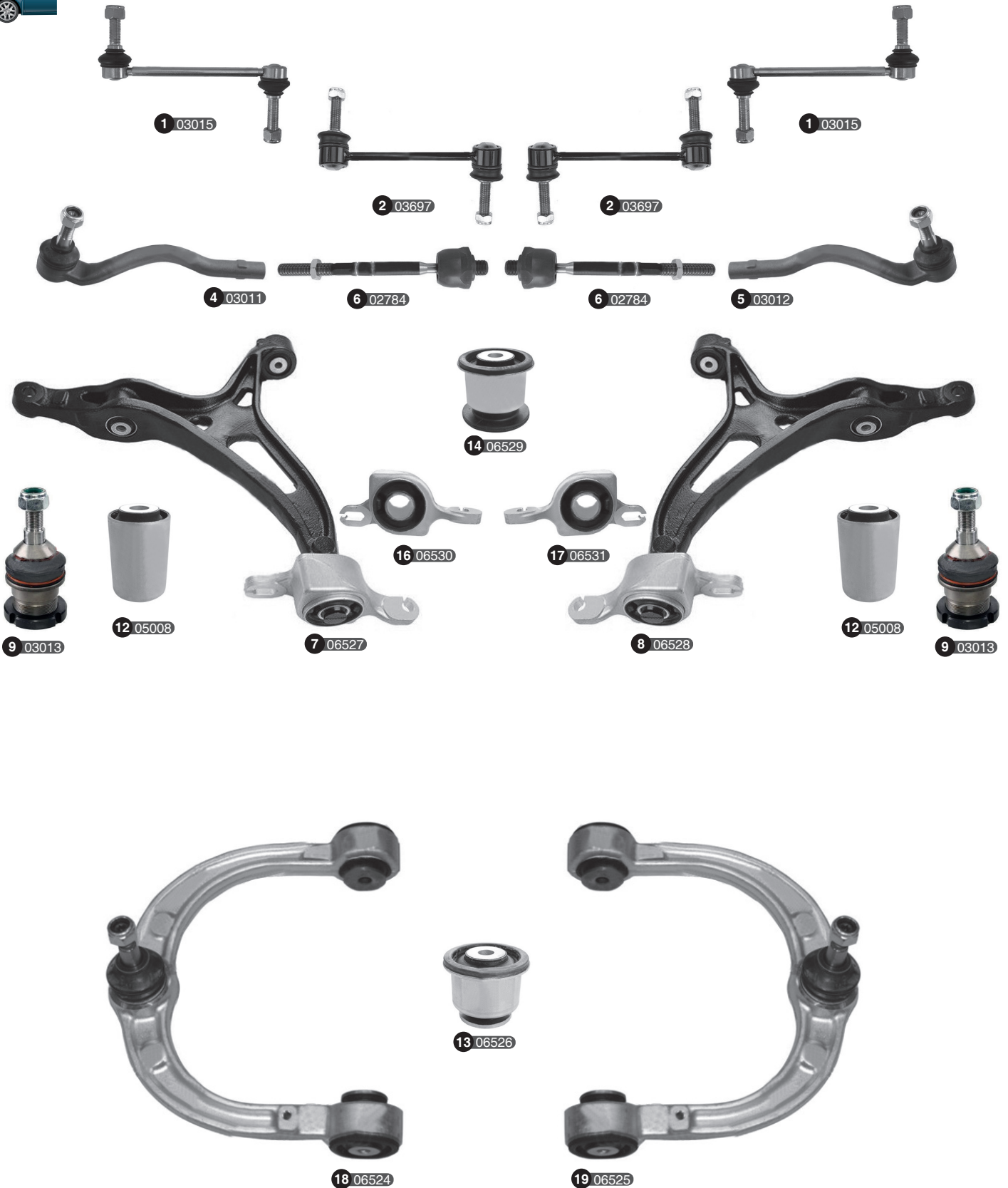


Ref	Old code	CODE	Description	OE - Number	OE - Number	FEATURES	Ref	Old code	CODE	Description	OE - Number	OE - Number	FEATURES
1	-	04106	Stabilizer link	2463200089	2463200689	Front	10	-	04111	Bushing	2463520265	-	-
2	-	04117	Stabilizer link	2463200789	2463200100	Rear	11	-	04113	Bushing	2463520165	-	-
3	-	04103	Tie rod end-L	2463301700	-	-	14	-	06484	Bushing-L	2463330514	-	-
4	-	04104	Tie rod end-R	2463301800	-	-	15	-	06485	Bushing-R	2463330614	-	-
5	-	04105	Axial joint	2463380000	-	-	16	-	04107	Track control arm-L	2463500406	-	Rear(EXCL. HIGHER GROUND CLEARANCE)
6	-	06482	Control arm complete-L	1563300100	1563300500	-	17	-	04108	Track control arm-R	2463500506	-	Rear(EXCL. HIGHER GROUND CLEARANCE)
7	-	06483	Control arm complete-R	1563300200	1563300600	-	18	-	04110	Track rod	2463500053	-	Rear
8	-	04101	Bushing	1563300100 Part of	1563300200 Part of	-	19	-	04112	Track rod	2463501006	-	Rear
9	-	04109	Bushing	2463500300 Part of	2463500400 Part of	EXCL. HIGHER GROUND CLEARANCE							





Ref	Old code	CODE	Description	OE - Number	OE - Number	FEATURES	Ref	Old code	CODE	Description	OE - Number	OE - Number	FEATURES
1	-	06522	Stabilizer link-L	2533230117	-	Front	15	-	04151	Bushing	2043500553 Part of	2043500653 Part of	-
2	-	06523	Stabilizer link-R	2533230217	-	Front	16	-	04152	Bushing	2043500553 Part of	2043500653 Part of	-
3	-	04153	Stabilizer link-L	2053260317	-	Rear	17	-	06097	Track control arm	2053305801	-	Lower (AIR SUSP.)
4	-	04154	Stabilizer link-R	2053260417	-	Rear	18	-	03028	Track control arm	2043500029	2043502706	Rear
5	-	06086	Tie rod end-L	2054600005	-	-	19	-	04137	Track control arm-L	2043502106	2043503306	Rear
6	-	06087	Tie rod end-R	2054600105	-	-	20	-	04138	Track control arm-R	2043502206	2043503406	Rear
7	-	06088	Axial joint	2054600405	-	-	21	-	04149	Track control arm-L	2043500553	2053506503	Rear
8	-	04121	Control arm complete-L	2053305501	-	Upper	22	-	04150	Track control arm-R	2043500653	2053506603	Rear
9	-	04122	Control arm complete-R	2053305601	-	Upper	23	-	04141	Track control arm-L	2043501506	2043503006	Rear
10	-	04123	Bushing	2053330314	2053305501 Part of	Upper	24	-	04142	Track control arm-R	2043501606	2043503106	Rear
11	-	04139	Bushing	2043502106 Part of	2043502206 Part of	-	25	-	06098	Bushing	2053305801 Part of	-	Lower (AIR SUSP.)
12	-	04140	Bushing	2043502106 Part of	2043502206 Part of	-	26	-	04148	Bushing	2043530043	-	-
13	-	04144	Bushing	2043501506 Part of	2043501606 Part of	-							
14	-	04143	Bushing	053506103 Part of	2043501506 Part of	-							





Ref	Old code	CODE	Description	OE - Number	OE - Number	FEATURES	Ref	Old code	CODE	Description	OE - Number	OE - Number	FEATURES	
1	-	03015	Stabilizer link	1643201332	1643202132	M14x1,5-205 mm (Front)	12	-	05008	Bushing	1643330314	-	-	
2	-	03697	Stabilizer link	A1693202132	A1693201332	M14x1,5-195,5 mm (Front 4MATIC SHORT)	13	-	06526	Bushing	1663310214	2513330114	Upper	
							14	-	06529	Bushing	1643330414	5168158AB	Part of	Part of
3	-	03016	Stabilizer link	1643201232	-	M14x1,5-117 mm (Rear)	15	-	06534	Bushing	1643500275	1643501306	Part of	Part of
							16	-	06530	Bushing-L	1643301707	1643302507	Part of	Part of
4	-	03011	Tie rod end-L	1643301103	-	-	17	-	06531	Bushing-R	1643301807	1643302607	Part of	
5	-	03012	Tie rod end-R	1643301203	-	-	18	-	06524	Track control arm-L	2513300707	-	Upper	
6	-	02784	Axial joint	1644600005	-	M14x1,5- M16x1,5-208,5 mm	19	-	06525	Track control arm-R	2513300807	-	Upper	
7	-	06527	Control arm complete-L	1643301707	1643302507	-	20	-	06533	Track rod	1643501406	-	Rear	
8	-	06528	Control arm complete-R	1643301807	1643302607	-	21	-	06536	Track rod	1643500053	1663500053	Rear	
9	-	03013	Ball joint	1643300935	-	Lower-M16x1,5	22	-	06535	Track rod-L	1643501306	-	Rear	
10	-	03014	Ball joint	1643520327	1663500408	Lower-M16x1,5	23	-	06492	Track rod-R	1643501606	-	Rear	
11	-	03752	Bushing	1643520365	A1643520365	-	24	-	06537	Bushing	1643500053	-	Part of	

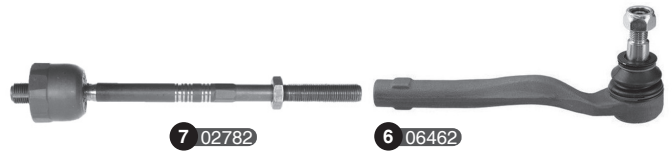




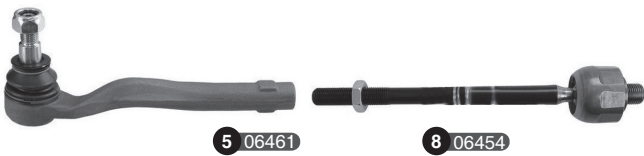
Ref	Old code	CODE	Description	OE - Number	OE - Number	FEATURES	Ref	Old code	CODE	Description	OE - Number	OE - Number	FEATURES
1	-	03016	Stabilizer link	1643201232	-	M14x1.5-117 mm (Rear)	12	-	06550	Bushing	1663330100	1663330214	Lower
2	-	06539	Tie rod end	1663300403	-	-	13	-	06534	Bushing	1643500275 Part of	1643501406 Part of	-
3	-	06543	Axial joint	1663380315	-	-	14	-	03752	Bushing	1643520365	A1643520365	-
4	-	06547	Control arm complete-L	1663300107	-	Lower	15	-	06552	Bushing-L	1663300143	-	Lower
5	-	06548	Control arm complete-R	1663300207	-	Lower	16	-	06553	Bushing-R	1663300243	-	Lower
6	-	06544	Upper control arm complete-L	1663301707	-	Upper	17	-	06555	Track rod	1663500306	-	Rear
7	-	06545	Upper control arm complete-R	1663301807	-	Upper	18	-	06556	Track rod-L	1663500106	-	Rear
8	-	06551	Ball joint	1663300235	-	Lower	19	-	06593	Track rod-R	1663500206	-	Rear
9	-	03014	Ball joint	1643520327	1663500408 Part of	Lower-M16x1,5	20	-	06536	Track rod	1643500053	1663500053	Rear
10	-	06546	Bushing	1663330000	1663330714	Upper	21	-	06537	Bushing	1643500053 Part of	-	-
11	-	06549	Bushing	1663330200	1663330414	Lower	22	-	06541	Stabilizer link-L	1663200889 Part of	-	Front
							23	-	06542	Stabilizer link-R	1663200789 Part of	-	Front



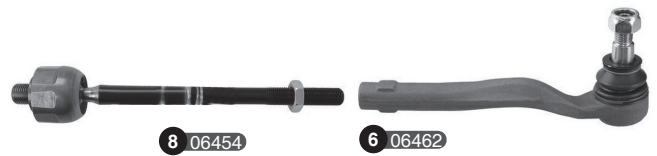
7 02782



6 06462

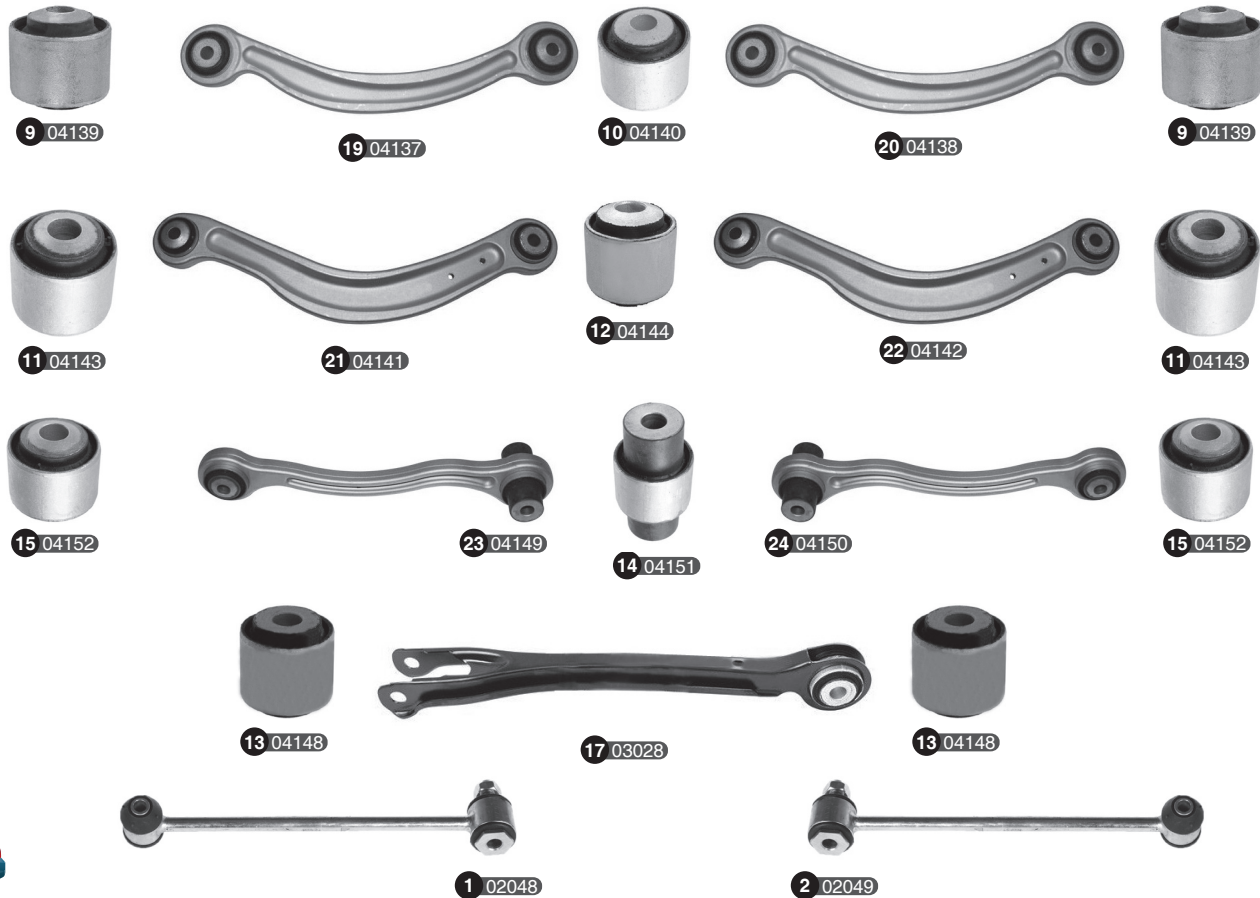


8 06454



6 06462





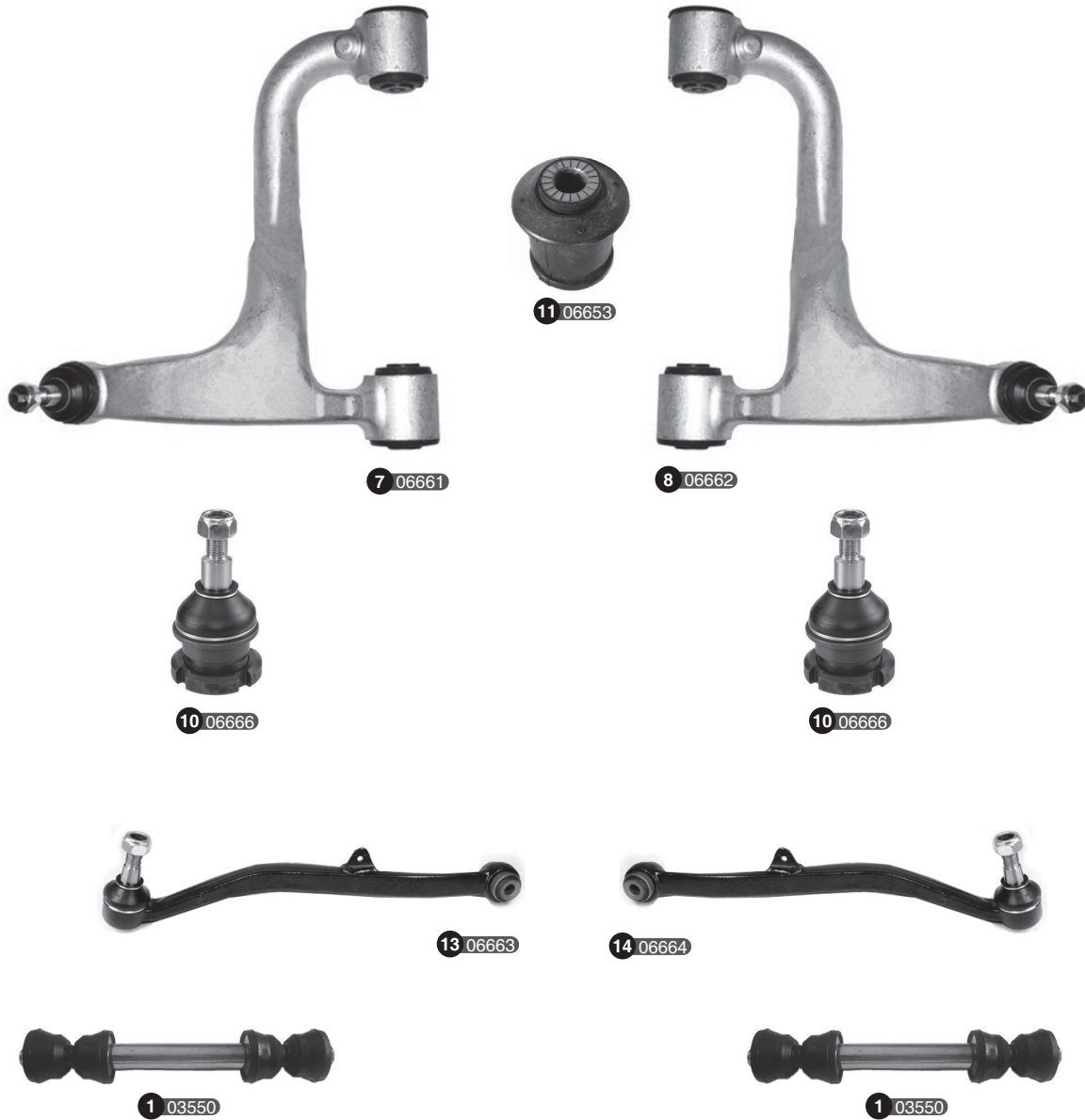
Ref	Old code	CODE	Description	OE - Number	OE - Number	FEATURES	Ref	Old code	CODE	Description	OE - Number	OE - Number	FEATURES
1	-	02048	Stabilizer link-L	2043200589	-	M10x1,5-233 mm (Rear)	13	-	04148	Bushing	2043530043	2053520508	-
2	-	02049	Stabilizer link-R	2043200489	-	M10x1,5-233 mm (Rear)	14	-	04151	Bushing	2043500553 Part of	2043500653 Part of	-
3	-	04180	Stabilizer link-L	2043200789	-	Front	15	-	04152	Bushing	2043500553 Part of	2043500653 Part of	-
4	-	04181	Stabilizer link-R	2043202289	-	Front	16	-	06563	Bushing	2043308011 Part of	2123330214 Part of	-
5	-	06461	Tie rod end-L	2043301903	2123301303	"HYDRO PS ELEC PS"	17	-	03028	Track control arm	2043500029	2043502706	Raar
6	-	06462	Tie rod end-R	2043302003	2123301403	"HYDRO PS ELEC PS"	18	-	06562	Track control arm	2043308011	-	Lower
7	-	02782	Axial joint	2043380315	2043380515	M14x1,5- M16x1,5-245 mm (HYDRO PS)	19	-	04137	Track control arm-L	2043502106	2043503306	Rear
8	-	06454	Axial joint	2123302803	-	ELEC PS	20	-	04138	Track control arm-R	2043502206	2043503406	Rear
9	-	04139	Bushing	204 521465	2043502206 Part of	-	21	-	04141	Track control arm-L	2043501506	2043503006	Rear
10	-	04140	Bushing	2043502106 Part of	2043520365	-	22	-	04142	Track control arm-R	2043501606	2043503106	Rear
11	-	04143	Bushing	053506103 Part of	2043501506 Part of	-	23	-	04149	Track control arm-L	2043500553	2053506503	Rear
12	-	04144	Bushing	2043501506 Part of	2043520765	-	24	-	04150	Track control arm-R	2043500653	2053506603	Rear





Ref	Old code	CODE	Description	OE - Number	OE - Number	FEATURES	Ref	Old code	CODE	Description	OE - Number	OE - Number	FEATURES
1	-	03016	Stabilizer link	1643201232	-	M14x1.5-117 mm (Rear)	12	-	06546	Bushing	1663330000	1663330714	Upper
2	-	06541	Stabilizer link-L	1663200789	-	Front	13	-	06549	Bushing	1663330200	1663330414	Lower
3	-	06542	Stabilizer link-R	1663200889	-	Front	14	-	06550	Bushing	1663330100	1663330214	Lower
4	-	06539	Tie rod end	1663300403	-	-	15	-	06534	Bushing	1643500275 Part of	1643501406 Part of	-
5	-	06543	Axial joint	1663380315	-	-	16	-	03752	Bushing	1643520365	A1643520365	-
6	-	06547	Control arm complete-L	1663300107	-	Lower	17	-	06552	Bushing-L	1663300143	-	Lower
7	-	06548	Control arm complete-R	1663300207	-	Lower	18	-	06553	Bushing-R	1663300243	-	Lower
8	-	06544	Upper control arm complete-L	1663301707	-	Upper	19	-	06555	Track rod	1663500306	-	Rear
9	-	06545	Upper control arm complete-R	1663301807	-	Upper	20	-	06556	Track rod-L	1663500106	-	Rear
10	-	06551	Ball joint	1663300235	-	Lower	21	-	06593	Track rod-R	1663500206	-	Rear
11	-	03014	Ball joint	1643520327	1663500408 Part of	Lower-M16x1,5	22	-	06536	Track rod	1643500053	1663500053	Rear
							23	-	06537	Bushing	1643500053 Part of	-	-



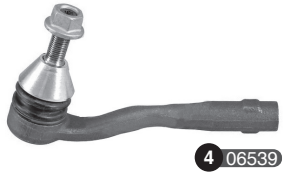


Ref	Old code	CODE	Description	OE - Number	OE - Number	FEATURES	Ref	Old code	CODE	Description	OE - Number	OE - Number	FEATURES
1	-	03550	Stabilizer link	1633200032	-	M8X1.25-215 mm (Rear)	8	-	06662	Upper control arm complete-R	1633520501	-	Upper
2	-	06649	Tie rod end-L	1633300103	-	-	9	-	06658	Ball joint	1633300035	1633300135	-
3	-	06650	Tie rod end-R	1633300403	1633380115	-	10	-	06666	Ball joint	1633500013	1633500113	Lower
4	-	05951	Axial joint	1633380215	-	-	11	-	06653	Bushing	1633500175	1633300175 Part of	-
5	-	06651	Upper control arm complete-L	1633330001	-	Upper	12	-	06663	Track rod-L	1633500053	1633500353	Rear
6	-	06652	Upper control arm complete-R	1633330101	-	Upper	13	-	06664	Track rod-R	1633500153	1633500453	Rear
7	-	06661	Upper control arm complete-L	1633520401	-	Upper							





Ref	Old code	CODE	Description	OE - Number	OE - Number	FEATURES	Ref	Old code	CODE	Description	OE - Number	OE - Number	FEATURES
1	-	03015	Stabilizer link	1643201332	1643202132	M14x1,5-205 mm (Front)	12	-	05008	Bushing	1643330314	-	-
2	-	03016	Stabilizer link	1643201232	-	M14x1,5-117 mm (Rear)	13	-	06526	Bushing	1663310214	2513330114	-
3	-	03697	Stabilizer link	1693201332	1693202132	M14x1,5-195,5 mm (FRONT 4MATIC SHORT)	14	-	06529	Bushing	1643330414	5168158AB Part of	-
4	-	03011	Tie rod end-L	1643301103	-	-	15	-	06534	Bushing	1643500275	1643501306	-
5	-	03012	Tie rod end-R	1643301203	-	-	16	-	06530	Bushing-L	1643301707	1643302507	-
6	-	02784	Axial joint	1644600005	-	M14x1,5- M16x1,5-208,5 mm	17	-	06531	Bushing-R	1643301807	1643302607	-
7	-	06527	Control arm complete-L	1643301707	1643302507	-	18	-	06524	Track control arm-L	2513300707	-	Upper
8	-	06528	Control arm complete-R	1643301807	1643302607	-	19	-	06525	Track control arm-R	2513300807	-	Upper
9	-	03013	Ball joint	1643300935	-	Lower-M16x1,5	20	-	06533	Track rod	1643501406	-	Rear
10	-	03014	Ball joint	1643520127	1663500408 Part of	Lower-M16x1,5	21	-	06536	Track rod	1643500053	1663500053	Rear
11	-	03752	Bushing	1643520365	A1643520365	-	22	-	06535	Track rod-L	1643501306	-	Rear
							23	-	06492	Track rod-R	1643501606	-	Rear
							24	-	06537	Bushing	1643500053	-	-



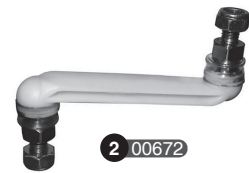


Ref	Old code	CODE	Description	OE - Number	OE - Number	FEATURES	Ref	Old code	CODE	Description	OE - Number	OE - Number	FEATURES
1	-	03016	Stabilizer link	1643201232	-	M14x1.5-117 mm (Rear)	12	-	06546	Bushing	1663330000	1663330714	Upper
2	-	06541	Stabilizer link-L	1663200789	-	Front	13	-	06549	Bushing	1663330200	1663330414	Lower
3	-	06542	Stabilizer link-R	1663200889	-	Front	14	-	06550	Bushing	1663330100	1663330214	Lower
4	-	06539	Tie rod end	1663300403	-	-	15	-	06534	Bushing	1643500275 Part of	1643501406 Part of	-
5	-	06543	Axial joint	1663380315	-	-	16	-	03752	Bushing	1643520365	A1643520365	-
6	-	06547	Control arm complete-L	1663300107	-	Lower	17	-	06552	Bushing-L	1663300143	-	Lower
7	-	06548	Control arm complete-R	1663300207	-	Lower	18	-	06553	Bushing-R	1663300243	-	Lower
8	-	06544	Upper control arm complete-L	1663301707	-	Upper	19	-	06555	Track rod	1663500306	-	Rear
9	-	06545	Upper control arm complete-R	1663301807	-	Upper	20	-	06556	Track rod-L	1663500106	-	Rear
10	-	06551	Ball joint	1663300235	-	Lower	21	-	06593	Track rod-R	1663500206	-	Rear
11	-	03014	Ball joint	1643520327	1663500408 Part of	Lower-M16x1,5	22	-	06536	Track rod	1643500053	1663500053	Rear
							23	-	06537	Bushing	1643500053 Part of	-	-





Ref	Old code	CODE	Description	OE - Number	OE - Number	FEATURES	Ref	Old code	CODE	Description	OE - Number	OE - Number	FEATURES
1	-	03015	Stabilizer link	1643201332	A1643201332	M14x1,5-205 mm (Front Long)	11	-	05008	Bushing	1643330314	-	-
2	-	03016	Stabilizer link	1643201232	-	M14x1,5-117 mm (Rear)	12	-	06526	Bushing	1663310214	2513330114	-
3	-	06667	Tie rod end-L	2513300703	-	-	13	-	06529	Bushing	1643330414	5168158AB	-
4	-	06668	Tie rod end-R	2513300803	-	-	14	-	06534	Bushing	1643500275	1643501306	-
5	-	02784	Axial joint	1644600005	-	M14x1,5- M16x1,5-208,5 mm	15	-	06671	Bushing-L	2513300743	-	-
6	-	06669	Control arm complete-L	2153301907	2513301307	-	16	-	06672	Bushing-R	2513300843	-	-
7	-	06670	Control arm complete-R	2513301407	2513301607	-	17	-	06524	Track control arm-L	2513300707	-	Upper
8	-	03013	Ball joint	1643300935	-	Lower-M16x1,5	18	-	06525	Track control arm-R	2513300807	-	Upper
9	-	03014	Ball joint	1643520127	663500408 Part of	Lower-M16x1,5	19	-	06533	Track rod	1643501406	-	Rear
10	-	03752	Bushing	1643520365	A1643520365	-	20	-	06536	Track rod	1643500053	1663500053	Rear
							21	-	06535	Track rod-L	1643501306	-	Rear
							22	-	06492	Track rod-R	1643501606	-	Rear
							23	-	06537	Bushing	1643500053	-	-



Ref	Old code	CODE	Description	OE - Number	OE - Number	FEATURES	Ref	Old code	CODE	Description	OE - Number	OE - Number	FEATURES
1	-	01480	Stabilizer link	1153201589	1153201789	M10x1,5-108 mm (Rear / Metal)	4	MCD18	00119	Tie rod end	0003380710	0003381910	M10x1,25-Male-M14x1,5-88 mm
							5	MCD17	00674	Ball joint	1163330927	-	Lower-M14x1,5
2	MCD14	00672	Stabilizer link	1233200989	-	M10x1,5-100,5 mm (Rear / Plastic)	6	-	03620	Track control arm-L	1233304607	1233305207	M10x1-171 mm (Upper)
3	-	03623	Tie rod end	0003380810	0003382010	-	7	-	03621	Track control arm-R	1233304707	1233305307	M10x1-171 mm (Upper)



Ref	Old code	CODE	Description	OE - Number	OE - Number	FEATURES	Ref	Old code	CODE	Description	OE - Number	OE - Number	FEATURES
1	MCD14	00672	Stabilizer link	1233200989	-	M10x1,5-100,5 mm (Rear / Plastic)	3	-	03623	Tie rod end	0003380810	0003382010	-
							4	MCD18	00119	Tie rod end	0003380710	0003385210	M10x1,25-Male-M14x1,5-88 mm
2	-	01480	Stabilizer link	1153201589	1153201789	M10x1,5-108 mm (Rear / Metal)	5	MCD17	00674	Ball joint	1163330927	-	Lower-M14x1,5
							6	MCD32	00686	Ball joint	1263300811	1263300835	Lower-M18x1,5



Ref	Old code	CODE	Description	OE - Number	OE - Number	FEATURES	Ref	Old code	CODE	Description	OE - Number	OE - Number	FEATURES
1	-	01677	Stabilizer link	2203203589	-	M10x1,5-230 mm (Rear / Metal)	6	MCD61	00703	Tie rod end	0013306235	-	-
2	MCD24	00679	Stabilizer link	1403200889	1403203589	M10x1,5-230 mm (Rear / Plastic)	7	MCD37	00688	Ball joint	1403330327	-	Lower-M14x1,5
3	MCD02-L	00664	Stabilizer link-L	1403201189	-	M12x1,5-153 mm (Front)	8	-	06622	Track control arm	1403503406	2203502606	Rear
4	MCD02-R	00665	Stabilizer link-R	1403201289	-	M12x1,5-153 mm (Front)	9	MCD44	00690	Tie rod	1403300003	-	COMPLETE ROD
5	MCD60	00702	Tie rod end	0013306335	-	-	10	MCD66-L	00710	Track control arm complete-L	1403305407	-	Aluminium-16-202 mm
							11	MCD66-R	00711	Track control arm complete-R	1403305507	-	Aluminium-16-202 mm

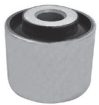




15 00683



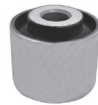
15 00683



18 06617



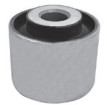
20 06616



18 06617



20 06616



18 06617



19 06619



21 06618



19 06619



21 06618



19 06619



22 06620



22 06620



23 06622



23 06622



1 06617



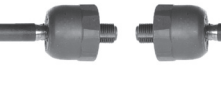
1 06617





Ref	Old code	CODE	Description	OE - Number	OE - Number	FEATURES	Ref	Old code	CODE	Description	OE - Number	OE - Number	FEATURES
1	-	01677	Stabilizer link	2203203589	2203203689	M10x1,5-230 mm (Rear)	15	MCD28	00683	Ball joint	2023330027	2103300035	Lower-M14x1,5-Male-M14x1,5-73mm (4MATIC)
2	-	03033	Stabilizer link-L	2203201589	-	Front (EXC. 4MATIC)							
3	-	03032	Stabilizer link-R	2203201689	-	Front (EXC. 4MATIC)	16	-	06606	Bushing	2203309307 Part of	2203309407 Part of	EXC. 4MATIC UPPER
4	-	06602	Stabilizer link-L	2203203389	-	Front (4MATIC)	17	-	06609	Bushing	2203304311 Part of	2203304411 Part of	EXC. 4MATIC LOWER
5	-	06603	Stabilizer link-R	2203203489	-	Front (4MATIC)	18	-	06617	Bushing	1403524465	1403524765	-
6	-	01600	Tie rod end	2203380515	2203381015	EXC. 4MATIC	19	-	06619	Bushing	1403524565	1403524865	-
7	-	06509	Tie rod end-L	2203381315	-	4MATIC	20	-	06616	Track control arm	2203502206	-	Rear
8	-	06510	Tie rod end-R	2203381415	-	4MATIC	21	-	06618	Track control arm	2203502406	-	Rear
9	MCD52	00699	Axial joint	2203380715	2303380015	M14x1,5-M16x1,5-244 mm (EXC. 4MATIC)	22	-	06620	Track control arm	2203500453	-	Rear
10	-	02785	Axial joint	2203381215	-	M16x1,5-M14x1,5-234 mm (4MATIC)	23	-	06622	Track control arm	1403503406	2203502606	Rear
11	-	06604	Upper control arm complete-L	2203301407	2203308307	EXC. 4MATIC UPPER	24	-	06607	Track control arm-L	2203301811	2203303311	Lower (EXC. 4MATIC)
12	-	06605	Upper control arm complete-R	2203301507	2203308407	EXC. 4MATIC UPPER	25	-	06608	Track control arm-R	2203301711	2203303411	Lower (EXC. 4MATIC)
13	MCD38	00689	Ball joint	2113300235	2203300427	Lower-M14x1,5 (EXC. 4MATIC)	26	-	06610	Track control arm-L	2203307707	2203302407	Lower (EXC. 4MATIC)
							27	-	06611	Track control arm-R	2203302507	2203307807	Lower (EXC. 4MATIC)
14	-	01708	Ball joint	2113230068	2203230368	Lower-M14x1,5 (EXC. 4MATIC)	28	-	06612	Bushing	2203303607	2203331714	







28 06580



17 06577



29 06581



32 06584



17 06577



33 06585



30 06582



16 04179



31 06583



42 06588



34 06586



43 06589



35 06587



42 06588



18 06594



36 06590



19 06595



37 06591



18 06594



20 06598



38 06596



21 06599



39 06597



20 06598



18 06594



40 06600



19 06595



41 06601



18 06594



3 01883



4 01882





Ref	Old code	CODE	Description	OE - Number	OE - Number	FEATURES	Ref	Old code	CODE	Description	OE - Number	OE - Number	FEATURES
1	-	01796	Stabilizer link-L	2213201589	-	Front (4MATIC+250D)	20	-	06598	Bushing	2213522165	2213501153 Part of	-
2	-	01797	Stabilizer link-R	2213201689	-	Front (4MATIC+250D)	21	-	06599	Bushing	2213522265	2213501153 Part of	-
3	-	01883	Stabilizer link-L	2213201989	-	M10x1,5-241 mm (Rear)	22	-	06570	Track control arm-L	2213300141	2213302311	Lower (EXC. 4MATIC -> 12/2011)
4	-	01882	Stabilizer link-R	2213202289	-	M10x1,5-241 mm (Rear)	23	-	06571	Track control arm-R	2213300241	2213302411	Lower (EXC. 4MATIC -> 12/2011)
5	-	01899	Stabilizer link-L	2213200189	-	"M12x1,5-270 mm (Front EXC. 4MATIC EXC. C216)"	24	-	06575	Track control arm-L	2213307107	-	Lower
6	-	01898	Stabilizer link-R	2213200289	-	"M12x1,5-270 mm (Front EXC. 4MATIC EXC. C216)"	25	-	06576	Track control arm-R	2213307207	-	Lower
7	-	03034	Tie rod end	2213303903	2213301503	EXC. 4MATIC + 250D	26	-	06578	Track control arm-L	2213308707	-	Lower
8	-	06564	Tie rod end-L	2213301903	2213303303	4MATIC + 250D	27	-	06579	Track control arm-R	2213308807	-	Lower
9	-	06565	Tie rod end-R	2213302003	2213303403	4MATIC + 250D	28	-	06580	Track control arm-L	2213306707	2213308107	Lower (EXC. 4MATIC, EXC. C216)
10	-	02782	Axial joint	2043380315	2043380515	"M14x1,5-M16x1,5-245 mm (4MATIC + 250D)"	29	-	06581	Track control arm-R	2213306807	2213308207	Lower (EXC. 4MATIC, EXC. C216)
11	-	02786	Axial joint	2213301603	-	"M14x1,5-M16x1,5-266 mm (EXC. 4MATIC + 250D)"	30	-	06582	Track control arm-L	2213303711	2213306511	Lower (4MATIC + 250D)
12	-	06567	Upper control arm complete-L	2213300307	2213308907	-	31	-	06583	Track control arm-R	2213303811	2213306611	Lower (4MATIC + 250D)
13	-	06568	Upper control arm complete-R	2213300407	2213309007	-	32	-	06584	Track control arm-L	2213307707	-	Lower (4MATIC + 250D)
14	-	06569	Bushing	2213300307 Part of	2213300407 Part of	-	33	-	06585	Track control arm-R	2213307807	-	Lower (4MATIC + 250D)
15	-	06572	Bushing	2213330814	-	EXC. 4MATIC -> 12/2011	34	-	06586	Track control arm-L	2213500206	-	Upper
16	-	04179	Bushing	2043331114	2213331914	"EXC. 4MATIC 12/2011 -> 4MATIC + 250D "	35	-	06587	Track control arm-R	2213501006	-	Upper
17	-	06577	Bushing	2213330714	-	"EXC. 4MATIC, EXC. C216 4MATIC + 250D "	36	-	06590	Track control arm-L	2213500406	2223500132	Upper
18	-	06594	Bushing	2213500406 Part of	2213500606 Part of	-	37	-	06591	Track control arm-R	2213500606	2223500232	Upper
19	-	06595	Bushing	2213500406 Part of	2213500606 Part of	-	38	-	06596	Track control arm-L	2213501153	-	-
							39	-	06597	Track control arm-R	2213501253	-	-
							40	-	06600	Track control arm-L	2213500706	2223500129	Lower
							41	-	06601	Track control arm-R	2213500806	2223500229	Lower
							42	-	06588	Bushing	2213500206 Part of		
							43	-	06589	Bushing	2213501006 Part of		



1 06623
EXC. 4MATIC



2 06624
EXC. 4MATIC



3 06625
4MATIC
EXC. ABC Suspension



4 06626
4MATIC
EXC. ABC Suspension



5 06627



6 06621

EXC. 4MATIC



6 06621



5 06627



7 06628



9 06454

4MATIC



9 06454



8 06629



10 06630



12 06632

UPPER
ALL



11 06631





S-CLASS (W222, V222, X222) (05/2013-->)

S-CLASS COUPE (C217) (04/2014-->)



13 06633



15 06635



14 06634

LOWER
EXC. 4MATIC



16 06636



18 04136



17 06637

EXC. COUPE



19 03682



19 03682



20 06638

ABC SUSP.



22 06640

EXC. COUPE



21 06639

ABC SUSP.



23 08306



25 08308

LOWER
4MATIC



24 08307



26 08309



27 04136

LOWER
4MATIC



26 08309



19 03682



19 03682





30 06588



28 06641



31 06589



29 06642



30 06588



34 06594



32 06590



35 06595



33 06591



34 06594



38 06645



36 06643



16 06646



37 06644



38 06645



34 06594



39 06600



35 06595



40 06601



34 06594



19 03682



41 04155



19 03682



42 06647



43 06648





Ref	Old code	CODE	Description	OE - Number	OE - Number	FEATURES	Ref	Old code	CODE	Description	OE - Number	OE - Number	FEATURES
1	-	06623	Stabilizer link-L	2223201789	-	Front (EXC. 4MATIC)	23	-	08306	TRACK CONTROL ARM LH	2173305100	2223300302	-
2	-	06624	Stabilizer link-R	2223201689	-	Front (EXC. 4MATIC)	24	-	08307	TRACK CONTROL ARM RH	2173305200	2223300402	-
3	-	06625	Stabilizer link-L	2223201189	-	Front (4MATIC)		25	-	08308	BUSHING	2173305100 PART OF	2173305200 PART OF
4	-	06626	Stabilizer link-R	2223201089	-	Front (4MATIC)	26	-	08309	TRACK CONTROL ARM	2223303307	-	-
5	-	06627	Tie rod end	2223307000	-	EXC. 4MATIC	27	-	04136	BUSHING	2053306201 PART OF	2223300207 PART OF	-
6	-	06621	Axial joint	2223307100	-	EXC. 4MATIC		28	-	06641	TRACK CONTROL ARM LH	2223500192	-
7	-	06628	Tie rod end-L	2223300103	-	4MATIC	29	-	06642	TRACK CONTROL ARM RH	2223500292	-	-
8	-	06629	Tie rod end-R	2223300203	-	4MATIC		30	-	06588	BUSHING	2213500206 PART OF	2213501006 PART OF
9	-	06454	Axial joint	2123302803	-	4MATIC	31	-	06589	BUSHING	2213501006 PART OF 1	2223500192 PART OF 1	-
10	-	06630	Upper control arm complete-L	2173303900	2223300507	Upper	32	-	06590	Track control arm-L	2213500406	2223500132	UPPER
11	-	06631	Upper control arm complete-R	2173304000	2223300607	Upper	33	-	06591	Track control arm-R	2213500606	2223500232	UPPER
12	-	06632	Bushing	2173303900 Part of	2173304000 Part of	Upper	34	-	06594	Bushing	2213500406 Part of	2213500606 Part of	-
13	-	06633	TRACK CONTROL ARM LH	2223302301	-	-	35	-	06595	Bushing	2213500406 Part of	2213500606 Part of	-
14	-	06634	TRACK CONTROL ARM RH	2223302401	-	-	36	-	06643	TRACK CONTROL ARM LH	2223501302	-	-
15	-	06635	BUSHING	2223302301 PART OF	2223302401 PART OF	-	37	-	06644	TRACK CONTROL ARM RH	2223501402	-	-
16	-	06636	TRACK CONTROL ARM LH	2223300107	-	-	38	-	06645	BUSHING	2223501302 PART OF	2223501402 PART OF	-
17	-	06637	TRACK CONTROL ARM RH	2223300207	-	-	39	-	06600	Track control arm-L	2213500706	2223500129	Lower
18	-	04136	BUSHING	2053306201 PART OF	2223300207 PART OF	-	40	-	06601	Track control arm-R	2213500806	2223500229	Lower
19	-	03682	BUSHING	2013520027	2043520027	-	41	-	04155	BUSHING	2043521065	2203520265	-
20	-	06638	TRACK CONTROL ARM LH	2223305701	-	-	42	-	06647	Stabilizer link-L	2223200389	-	Rear
21	-	06639	TRACK CONTROL ARM RH	2223305801	-	-	43	-	06648	Stabilizer link-R	2223200489	-	Rear
22	-	06640	BUSHING	2223305701 PART OF	2223305801 PART OF	-							





1 01480



1 01480



2 00672



2 00672



3 03623



4 00119



4 00119



3 03623



Ref	Old code	CODE	Description	OE - Number	OE - Number	FEATURES	Ref	Old code	CODE	Description	OE - Number	OE - Number	FEATURES
1	-	01480	Stabilizer link	1153201589	1153201789	M10x1,5-108 mm (Front / Metal)	3	-	03623	Tie rod end	0003380810	0003382010	-
2	MCD14	00672	Stabilizer link	1233200989	-	M10x1,5-100,5 mm (Front / Plastic)	4	MCD18	00119	Tie rod end	0003380710	0003381910	M10x1,25-Male-M14x1,5-88 mm





Ref	Old code	CODE	Description	OE – Number	OE – Number	FEATURES	Ref	Old code	CODE	Description	OE – Number	OE – Number	FEATURES
1	-	01665	Stabilizer link	2113200889	2113203389	M10x1,5-261 mm (Rear)	11	-	06496	Track control arm-L	2303503506	-	Rear
2	-	01600	Tie rod end	2203380515	2303300203	-	12	-	06497	Track control arm-R	2303503606	-	Rear
3	MCD52	00699	Axial joint	2203380715	2203380015	M14x1,5- M16x1,5-244 mm	13	-	06498	Track control arm-L	2303502706	-	Rear
4	MCD38	00689	Ball joint	2113300235	2203300427	Lower-M14x1,5	14	-	06499	Track control arm-R	2303502806	-	Rear
5	-	05259	Bushing	2113332914	-	Lower	15	-	06505	Track control arm-L	2303500329	-	Lower
6	-	06495	Bushing	2303503506 Part of	2303503606 Part of	-	16	-	06506	Track control arm-R	2303500429	-	Lower
7	-	04148	Bushing	2043530043	2053520508	-	17	MCD68-L	00714	Track control arm-L	2113301111	2113301511	Aluminium- M14x1.5-385,3 mm (Lower)
8	-	06500	Bushing	2303502706 Part of	2303502806 Part of	-	18	MCD68-R	00715	Track control arm-R	2113301211	2113301611	Aluminium- M14x1.5-385,3 mm (Lower)
9	-	06501	Bushing	2113520865	-	-							
10	-	06504	Track control arm	2303502006	-	Lower							







Ref	Old code	CODE	Description	OE - Number	OE - Number	FEATURES	Ref	Old code	CODE	Description	OE - Number	OE - Number	FEATURES
1	MCD01	00663	Stabilizer link	1243200264	1243200289	M10x1,25-200 mm (Rear)	9	-	03615	Bushing	2023337714	-	-
2	MCD31	00685	Stabilizer link	1243500153	2013501953	M10x1,25-245 mm (Rear)	10	-	04170	Bushing	2023336414	1703300075 Part of	-
3	MCD22	00677	Tie rod end	0003307435	0013307435	M12x1,5-Female-M12x1,5-70 mm	11	-	04172	Bushing	1243529065	2103502506 Part of	-
4	-	03613	Control arm complete-L	2023303007	2023303607	Lower	12	-	04173	Bushing	2103503306 Part of	2103520965	-
5	-	03614	Control arm complete-R	2023302007	2023303107	Lower	13	-	04175	Bushing	2103502506 Part of	1243500575	-
6	-	04167	Control arm complete-L	1703300107	2023302607	Lower	14	-	04178	Track rod	1243500129	2103500029	Rear
7	-	04168	Control arm complete-R	1703300207	2023302707	Lower	15	-	04171	Track rod	2013504706	2013505606	Rear
8	MCD28	00683	Ball joint	2023330027	2103300035	Lower-M14x1,5-Male-M14x1,5-73mm	16	-	04174	Track rod	1243507606	1243507706	Rear
							17	-	06441	Bushing	202330075	202336714	





Ref	Old code	CODE	Description	OE - Number	OE - Number	FEATURES	Ref	Old code	CODE	Description	OE - Number	OE - Number	FEATURES
1	MCD01	00663	Stabilizer link	1243200264	1243200289	M10x1,25-200 mm (Rear)	9	-	04175	Bushing	2103503806 Part of	2103502506 Part of	-
2	-	01808	Stabilizer link	1713230017	-	M12x1,5-254,5 mm (Front)	10	-	04178	Track rod	1243500129	2103500029	Rear
3	-	01494	Tie rod end-L	2033301903	2033302303	M14x1,5- Female- M14x1,5- 175mm	11	-	03020	Bushing	2033330914	-	-
4	-	01495	Tie rod end-R	2033302003	2033302403	M14x1,5- Female- M14x1,5- 175mm	12	-	04171	Track rod	2013504706	2013505606	Rear
5	-	01807	Axial joint	1713380015	-	M14x1,5- M16x1,5-267,5 mm	13	-	04174	Track rod	1243507606	1243507706	Rear
6	-	03019	Bushing	2033330214	2033331014	-	14	MCD67-L	00712	Track control arm-L	2033300111	2033303511	M14x1,5-343 mm (Upper)
7	-	04172	Bushing	1243529065	2103502506 Part of	-	15	MCD67-R	00713	Track control arm-R	2033300211	2033301711	M14x1,5-343 mm (Upper)
8	-	04173	Bushing	2103503306 Part of	2103520965	-	16	-	02464	Track control arm-L	2033301911	2033303311	Forging- M14x1,5-345,6 mm
							17	-	02465	Track control arm-R	2033302011	2033303411	Forging- M14x1,5-345,6 mm







Ref	Old code	CODE	Description	OE - Number	OE - Number	FEATURES	Ref	Old code	CODE	Description	OE - Number	OE - Number	FEATURES
1	-	06453	Stabilizer link	1723200089	-	Rear	12	-	06450	Track rod-L	1723500106	-	Rear
2	-	06445	Stabilizer link-L	1723230117	-	Front	13	-	06451	Track rod	1723500306	-	Rear
3	-	06446	Stabilizer link-R	1723230217	-	Front	14	-	06452	Track rod	1723500153	-	Rear
4	-	03021	Tie rod end-L	2043300903	-	-	15	-	06592	Track rod-R	1723500206	-	Rear
5	-	03022	Tie rod end-R	2043301003	-	-	16	-	04185	Track control arm-L	2043303111	2043306711	Lower
6	-	06444	Axial joint	2043380615	-	-	17	-	04186	Track control arm-R	2043303211	2043306811	Lower
7	-	04179	Bushing	2043331114	2213331914	-	18	-	04251	Track control arm-R	2043304411	2043308811	Lower
8	-	06447	Bushing	2043306711 Part of	2043306811 Part of	-	19	-	06449	Bushing	1723520465	1723500106	Part of
9	-	04172	Bushing	1243529065	2103502506 Part of	-	20	-	04250	Track control arm-L	2043304311		
10	-	05394	Bushing	1243500153 Part of	2013502753 Part of	-							
11	-	06448	Track rod	1723500406	-	Rear							



4 00696



5 00697



6 02697



7 02698



8 00667



9 00671



9 00671



8 00667



15 02281



14 00681

10 02341

11 02342



14 00681





Ref	Old code	CODE	Description	OE - Number	OE - Number	FEATURES	Ref	Old code	CODE	Description	OE - Number	OE - Number	FEATURES
1	MCD70	00716	Stabilizer link	2D0511329	9013200089	M10x1,25-95 mm (Rear EXC.904)	8	MCD09	00667	Tie rod end	2D0422811	9014600048	M16x1,5-Female-M16x1,5-78
2	-	03036	Stabilizer link	2D0511329A	9013200589	M10x1,25-229,5 mm (Rear 904)	9	MCD13	00671	Axial joint	9014600155	9014600255	M16x1,5-M16x1,5-386 mm
3	-	03035	Stabilizer link	9013200689	-	M10x1,25-229,5 mm (Rear 904 (4x4))	10	-	02341	Control arm complete-L	2D0407021	2D0407021B	M20x1,5-353 mm (Lower)
4	MCD50-L	00696	Stabilizer link-L	2D0411051	9013200289	115 mm (Front / EXC. 616 CDI)	11	-	02342	Control arm complete-R	2D0407022	2D0407022B	M20x1,5-353 mm (Lower)
5	MCD50-R	00697	Stabilizer link-R	2D0411052	9013200389	115 mm (Front / EXC. 616 CDI)	12	-	02390	Control arm w/o ball joint-L	2D0407021 Part of	9013302407 Part of	-
6	-	02697	Stabilizer link-L	5127276AA	9053200489	M10x1,25-129,3 mm (Front 616 CDI)	13	-	02391	Control arm w/o ball joint-R	2D0407022 Part of	9013302507 Part of	-
7	-	02698	Stabilizer link-R	5127277AA	9053200589	M10x1,25-129,3 mm (Front 616 CDI)	14	MCD26	00681	Ball joint	2D0407361A	2D0407361B	Lower-M20x1,5
							15	MCD07	02281	Bushing	2D0407140	9013330214	Lower



Ref	Old code	CODE	Description	OE - Number	OE - Number	FEATURES	Ref	Old code	CODE	Description	OE - Number	OE - Number	FEATURES
1	-	02777	Stabilizer link	2E0511051F	9063201389	213 mm (Rear / EXC. 5T)	8	-	03037	Control arm complete-L	2E0407151M	9063304007	Lower
2	-	06017	Stabilizer link	2E0511051G	9063201489	Rear 5T	9	-	03038	Control arm complete-R	2E0407152M	9063304107	Lower
3	-	06428	Stabilizer link	9063260716	9063261116	Rear	10	-	03039	Control arm w/o ball joint-L	2E0407151M	9063304007	-
4	-	02061	Stabilizer link-L	2E0411317C	68013721AA	M12x1,5-137 mm (Front EXC. 4x4)	11	-	03040	Control arm w/o ball joint-R	2E0407152M	9063304107	-
5	-	02062	Stabilizer link-R	2E0411318C	68013720AA	M12x1,5-137 mm (Front EXC. 4x4)	12	-	01952	Ball joint	9063304007	2E0407151M	Lower-M20x1,5
6	-	02090	Tie rod end	2E0713501	9064600048	M14x1,5-Male-M16x1,5-90mm	13	-	03041	Bushing	9063330014	2E0407523	-
7	-	02091	Axial joint	2E0713491	9064600055	M16x1,5-M18x1,5-400 mm	14	-	03530	Bushing	2E0407253A	9063330114	-



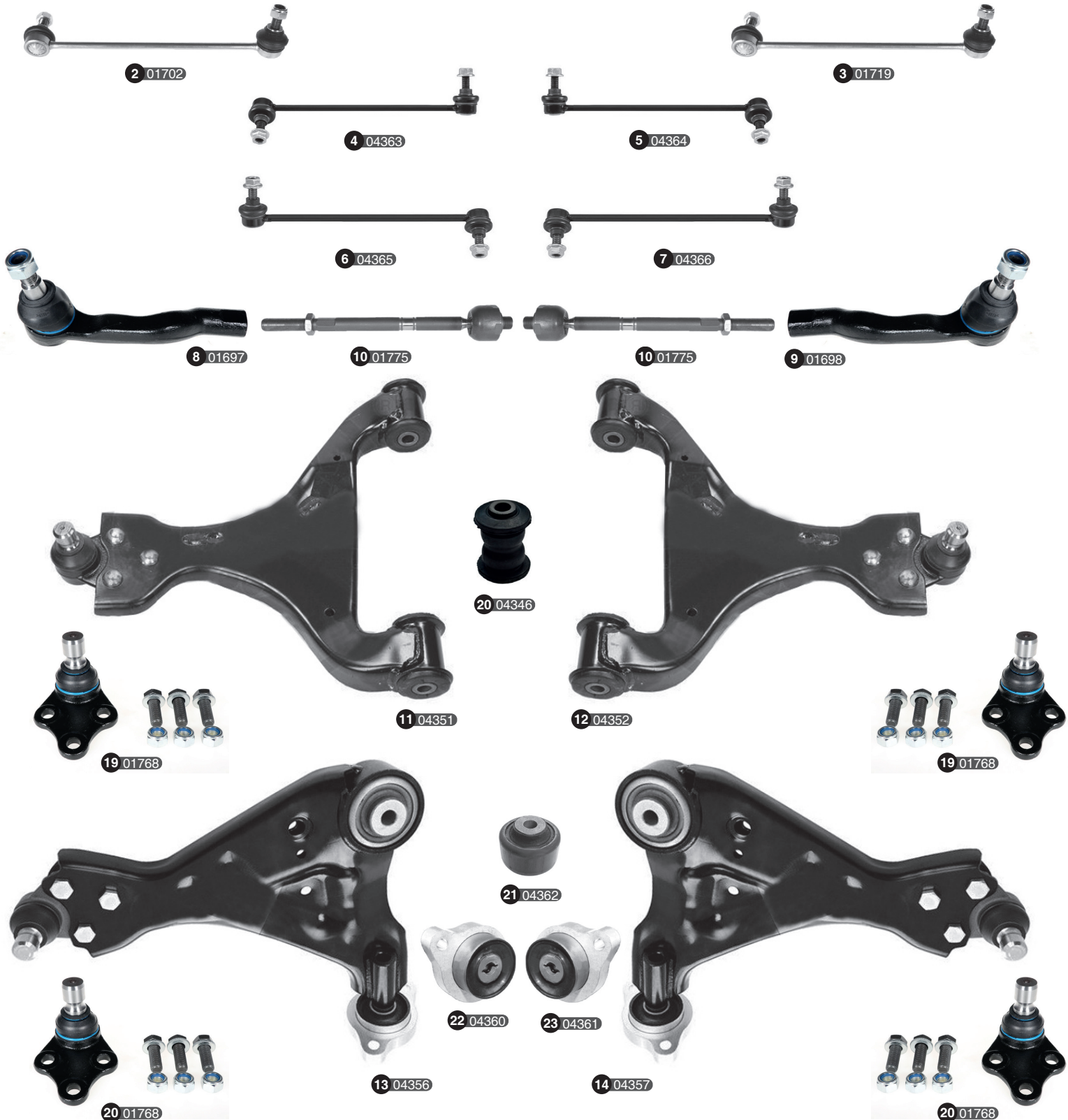
Ref	Old code	CODE	Description	OE - Number	OE - Number	FEATURES	Ref	Old code	CODE	Description	OE - Number	OE - Number	FEATURES
1	-	03036	Stabilizer link	2D0511329A	9013200589	M10x1,25-229,5 mm (Rear)	6	-	02341	Control arm complete-L	2D0407021	2D0407021B	M20x1,5-353 mm
2	MCD50-L	00696	Stabilizer link-L	2D0411051	9013200289	115 mm (Front)	7	-	02342	Control arm complete-R	2D0407022	2D0407022B	M20x1,5-353 mm
3	MCD50-R	00697	Stabilizer link-R	2D0411052	9013200389	115 mm (Front)	8	-	02390	Control arm w/o ball joint-L	2D0407021	9013302407	-
4	MCD09	00667	Tie rod end	2D0422811	9014600048	M16x1,5-Female-M16x1,5-78	9	-	02391	Control arm w/o ball joint-R	2D0407022	9013302507	-
5	MCD13	00671	Axial joint	9014600155	9014600255	M16x1,5-M16x1,5-386 mm	10	MCD26	00681	Ball joint	2D0407361A	2D0407361B	Lower-M20x1,5
							11	MCD07	02281	Bushing	2D0407140	9013330214	-



Ref	Old code	CODE	Description	OE - Number	OE - Number	FEATURES	Ref	Old code	CODE	Description	OE - Number	OE - Number	FEATURES
1	-	01475	Tie rod end	6013300435	6013300635	M14x1,5-Male-M20x1,5-94,5 mm RHT	2	-	01487	Tie rod end	6013300535	6013300735	M20x1,5-Male-94,5 mm LH



Ref	Old code	CODE	Description	OE - Number	OE - Number	FEATURES	Ref	Old code	CODE	Description	OE - Number	OE - Number	FEATURES
1	-	01701	Stabilizer link	4143200189	4143200289	M10x1,5-207 mm (Front)	5	-	06673	Control arm complete-L	4143300307	4143300507	-
2	-	01699	Tie rod end-L	4143330235	4144600005	M14x1,5-Female-M14x1,5-205mm	6	-	06674	Control arm complete-R	4143300407	4143300607	-
3	-	01700	Tie rod end-R	4144600105	4143330135	M14x1,5-Female-M14x1,5-205mm	7	-	06675	Control arm w/o ball joint-L Part of	4143300307	4143300507	-
4	-	01703	Axial joint	4143300035	4144600205	M14x1,5-M14x1,5-214 mm	8	-	06676	Control arm w/o ball joint-R Part of	4143300407	4143300607	-
							9	-	01709	Ball joint	4143330027	4143330127	Lower
							10	-	03690	Bushing	4143330114	-	-
							11	-	06677	Bushing	4143330014	-	-





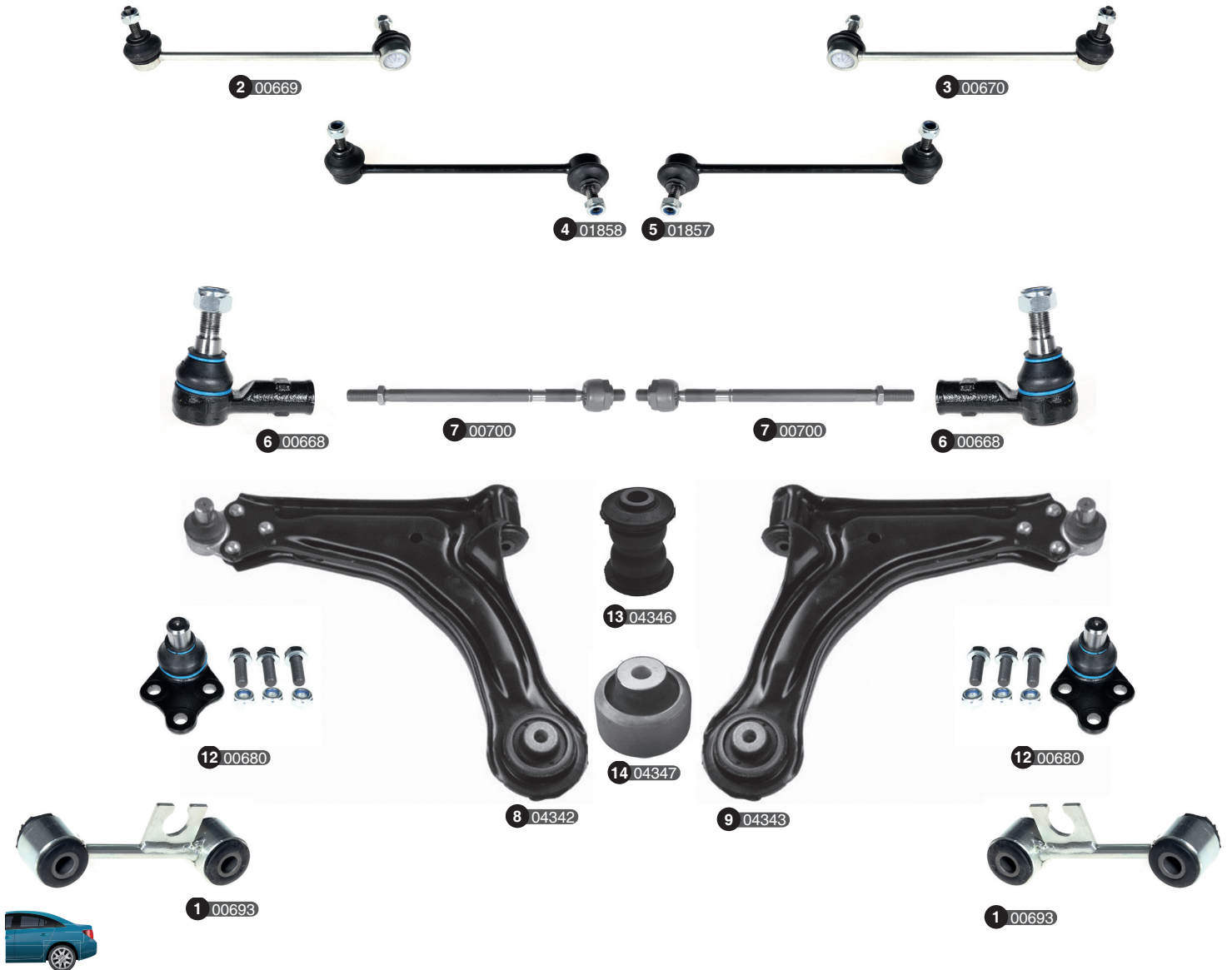
1 04367



1 04367



Ref	Old code	CODE	Description	OE - Number	OE - Number	FEATURES	Ref	Old code	CODE	Description	OE - Number	OE - Number	FEATURES
1	-	04367	Stabilizer link	6393260216	-	Rear -> 09/2010	12	-	04352	Control arm complete-R	6393300510	6393300910	Lower (-> 09/2010)
2	-	01702	Stabilizer link-L	6393200089	6393200289	M12x1,5-280 mm (Front -> 09/2010)	13	-	04356	Control arm complete-L	6393301207	6393301401	Lower (07/2010-->)
3	-	01719	Stabilizer link-R	6393200189	6393200389	M12x1,5-280 mm (Front -> 09/2010)	14	-	04357	Control arm complete-R	6393301301	6393301501	Lower (07/2010-->)
4	-	04363	Stabilizer link-L	6393200989	-	Front (07/2010-->)	15	-	04353	Control arm w/o ball joint-L	6393300410 Part of	6393300810 Part of	-
5	-	04364	Stabilizer link-R	6393201089	-	Front (07/2010-->)	16	-	04354	Control arm w/o ball joint-R	6393300510 Part of	6393300910 Part of	-
6	-	04365	Stabilizer link-L	6393200789	-	Front (AWD 07/2010-->)	17	-	04358	Control arm w/o ball joint-L	6393301207 Part of	6393301401 Part of	-
7	-	04366	Stabilizer link-R	6393200889	-	Front (AWD 07/2010-->)	18	-	04359	Control arm w/o ball joint-R	6393301301 Part of	6393301501 Part of	-
8	-	01697	Tie rod end-L	6394600048	6394600448	M14x1,5-Female-M16x1,5-169mm	19	-	01768	Ball joint	6393330227	-	Lower-22 (-> 09/2010)
9	-	01698	Tie rod end-R	6394600348	6394600548	M14x1,5-Female-M16x1,5-169mm	20	-	04346	Bushing	6383330014	6393330214	-> 09/2010
10	-	01775	Axial joint	6394600055	6394600255	M16x1,5-M16x1,5-288 mm	21	-	04362	Bushing	6393301207 Part of	6393331114	07/2010-->
11	-	04351	Control arm complete-L	6393300410	6393300810	Lower (-> 09/2010)	22	-	04360	Bushing-L	6393301207 Part of	6393301307 Part of	07/2010-->
							23	-	04361	Bushing-R	6393301207 Part of	6393301307 Part of	07/2010-->



Ref	Old code	CODE	Description	OE - Number	OE - Number	FEATURES	Ref	Old code	CODE	Description	OE - Number	OE - Number	FEATURES
1	MCD48	00693	Stabilizer link	6383260016	6383260116	104 mm (Rear)	7	MCD53	00700	Axial joint	6384600055	6384600205	M16x1,5- M16x1,5-343 mm
2	MCD12-L	00669	Stabilizer link-L	6383230268	-	M10x1,5-250 mm (Front EXC. CDI)	8	-	04342	Control arm complete-L	6383300010	-	Lower
3	MCD12-R	00670	Stabilizer link-R	6383230368	-	M10x1,5-250 mm (Front EXC. CDI)	9	-	04343	Control arm complete-R	6383300110	-	Lower
4	-	01858	Stabilizer link-L	6383230468	-	M10x1,5-230 mm (Front)	10	-	04344	Control arm w/o ball joint-L	6383300010	-	-
5	-	01857	Stabilizer link-R	6383230568	-	M10x1,5-230 mm (Front)	11	-	04345	Control arm w/o ball joint-R	6383300110	-	-
6	MCD10	00668	Tie rod end	6384600048	6384600205 Part of	M14x1,5- Female- M16x1,5-74mm	12	MCD25	00680	Ball joint	6383300027	A6383300027	Lower-22
							13	-	04346	Bushing	6383330014	6393330214	Small
							14	-	04347	Bushing	6383330814	-	Big



1 07577



2 07578



3 07841



5 07840



5 07840



4 07842



8 07586



9 07587



7 07596



8 07586



12 07603



13 07604



11 07600



12 07603



14 07594



14 07594





Ref	Old code	CODE	Description	OE – Number	OE – Number	FEATURES	Ref	Old code	CODE	Description	OE – Number	OE – Number	FEATURES
1	-	07577	STABILIZER LINK-LH	4703202200	546684KH0A	-	8	-	07586	BALL JOINT (UPPER)	4703301300 PART OF	4703301500 PART OF	-
2	-	07578	STABILIZER LINK-RH	4703202300	546184KH0A	-	9	-	07587	BUSHING	4703301300 PART OF 1	4703301500 PART OF 1	-
3	-	07841	TIE ROD END LH	4704604800 PART OF 1	-	-	10	-	07599	CONTROL ARM-LH (LOWER) (COMPLETE)	4703300700	545015XA0A	-
4	-	07842	TIE ROD END RH	4704604800 PART OF 2	-	-	11	-	07600	CONTROL ARM-RH (LOWER) (COMPLETE)	4703301000	545005XA0A	-
5	-	07840	AXIAL JOINT	4704604800	-	-	12	-	07603	BALL JOINT (LOWER)	4703300700 PART OF 1	4703301000 PART OF 1	-
6	-	07595	CONTROL ARM-LH (UPPER) (COMPLETE)	4703301500	545255XA0A	-	13	-	07604	BUSHING	4703300700 PART OF 2	4703301000 PART OF 2	-
7	-	07596	CONTROL ARM-RH (UPPER) (COMPLETE)	4703301300	545245XA0A	-	14	-	07594	STABILIZER LINK (REAR)	4703260100	562614KH0A	-







24 06019



25 06020



24 06019



25 06020



5 07715

FWD



23 20302



5 07715

FWD



6 07716

RWD EXC. 4X4



23 20302



6 07716

RWD EXC. 4X4



26 08067



26 08067



27 08070

RWD



28 08071

RWD



29 08072

4x4



29 08072

4x4



30 08073

RWD



30 08073

RWD





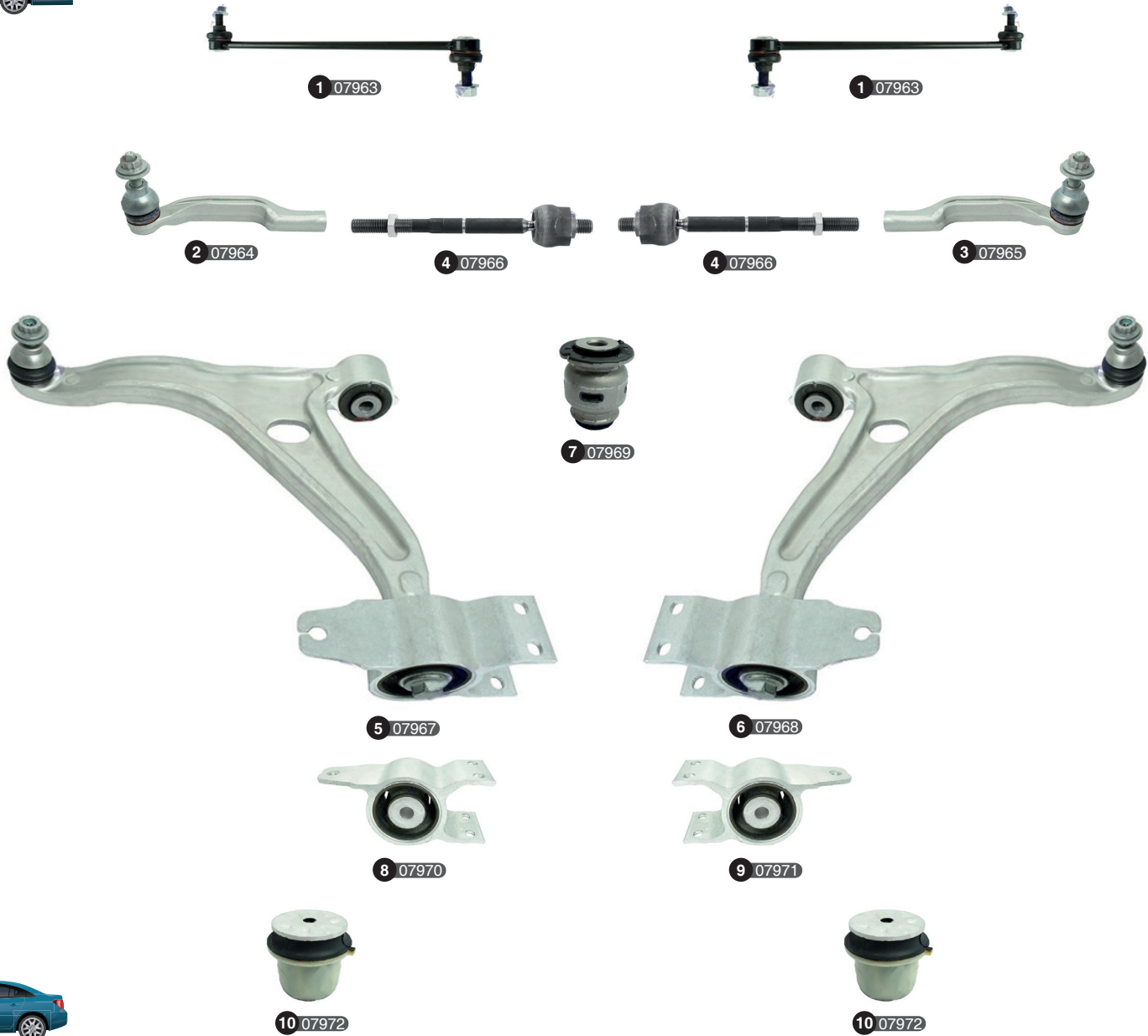
Ref	Old code	CODE	Description	OE - Number	OE - Number	FEATURES	Ref	Old code	CODE	Description	OE - Number	OE - Number	FEATURES
1	-	02061	STABILIZER LINK-LH	2E0411317C	68013721AA	137 -	16	-	03038	CONTROL ARM-RH (LOWER) (COMPLETE)	2E0407152L	2E0407152M	471 -
2	-	02062	STABILIZER LINK-RH	2E0411318C	68013720AA	137 -	17	-	01952	BALL JOINT (LOWER)	2E0407151M PART OF 3	2E0407152M PART OF 3	-
3	-	07704	STABILIZER LINK-LH	9103203000		-	18	-	03530	BUSHING	2E0407253A	9063330114	14 - 75
4	-	07705	STABILIZER LINK-RH	9103203100		-	19		03041	BUSHING	2E0407253	2E0407523	14 - 75
5	-	07715	STABILIZER LINK (REAR)	9103261200		-	20	-	07712	CONTROL ARM-LH (LOWER) (COMPLETE)	9103302500		-
6	-	07716	STABILIZER LINK (REAR)	9073203600		-	21	-	07713	CONTROL ARM-RH (LOWER) (COMPLETE)	9103302600		-
7	-	02090	TIE ROD END	2E0498104A	2E0713501	90 -	22	-	07714	BALL JOINT (LOWER)	9103330400	9103330400S1	-
8	-	07706	TIE ROD END-LH	9104606100		-	23	-	20302	STABILISER MOUNTING	2D0511413	6013210350	-
9	-	07707	TIE ROD END-RH	9104606000		-	24	-	06019	BUSHING	2E0511415	9063240050	-
10	-	07709	TIE ROD END-LH	9074606200		-	25	-	06020	BUSHING	2E0513371B	6113240050	-
11	-	07710	TIE ROD END-RH	9074606400		-	26	-	08067	STABILIZER LINK	9073204101	-	-
12	-	07708	AXIAL JOINT	9104606200		-	27	-	08070	STABILIZER LINK	A9063202089	-	-
13	-	02091	AXIAL JOINT	2E0713491	9064600055	400 -	28	-	08071	STABILIZER LINK	9063201989	A9063201989	-
14	-	07711	AXIAL JOINT	9074606300		-	29	-	08072	STABILIZER LINK	9073203700	-	-
15	-	03037	CONTROL ARM-LH (LOWER) (COMPLETE)	2E0407151L	2E0407151M	471 -	30	-	08073	STABILIZER LINK	9074606200	-	-







Ref	Old code	CODE	Description	OE - Number	OE - Number	FEATURES	Ref	Old code	CODE	Description	OE - Number	OE - Number	FEATURES
1	-	07963	Stabilizer link	2473204200	2473207503	-	8	-	07970	Bushing LH	2473330500	-	-
2	-	07964	Tie rod end-L	1773308500	-	-	9	-	07971	Bushing RH	2473330600	-	-
3	-	07965	Tie rod end-R	1773308400	-	-	10	-	07975	Track Rod	2473501800	-	-
4	-	07981	Axial joint	2473380000	2473380100	-	11	-	07976	Bushing	2473521700	-	-
5	-	07982	Control arm complete-L	1183309500	-	-	12	-	07977	Track Rod	2473501700	-	-
6	-	07983	Control arm complete-R	1183309600	-	-	13	-	07978	Bushing	2473501700 PART OF	2473521500 PART OF	-
7	-	07969	Bushing	1183309500 PART OF	1183309600 PART OF	-	14	-	07980	Stabilizer link (Rear)	2473205300	-	-



Ref	Old code	CODE	Description	OE - Number	OE - Number	FEATURES	Ref	Old code	CODE	Description	OE - Number	OE - Number	FEATURES
1	-	07963	Stabilizer link	2473204200	2473207503	-	6	-	07968	Control arm complete-R (Lower)	2473300600	2473305400	-
2	-	07964	Tie rod end-L	1773308500	-	-	7	-	07969	Bushing	1183309500 PART OF	1183309600 PART OF	-
3	-	07965	Tie rod end-R	1773308400	-	-	8	-	07970	Bushing LH	2473330500	-	-
4	-	07966	Axial joint	1773380000	-	-	9	-	07971	Bushing RH	2473330600	-	-
5	-	07967	Control arm complete-L (Lower)	2472207502	2473300500	-	10	-	07972	Bushing	2473530500	-	-





Ref	Old code	CODE	Description	OE - Number	OE - Number	FEATURES	Ref	Old code	CODE	Description	OE - Number	OE - Number	FEATURES
1	-	07963	Stabilizer link	2473204200	2473207503	-	9	-	07971	Bushing RH	2473330600	-	-
2	-	07973	Tie rod end-L	2473308501	-	-	10	-	07972	Bushing	2473530500	-	-
3	-	07974	Tie rod end-R	2473308201	-	-	11	-	07975	Track Rod	2473501800	-	-
4	-	07966	Axial joint	1773380000	-	-	12	-	07976	Bushing	2473521700	-	-
5	-	07967	Control arm complete-L	2472207502	2473300500	-	13	-	07977	Track Rod	2473501700	-	-
6	-	07968	Control arm complete-R	2473300600	2473305400	-	14	-	07978	Bushing	2473501700 PART OF	2473521500 PART OF	-
7	-	07969	Bushing	1183309500 PART OF	1183309600 PART OF	-	15	-	07980	Stabilizer link (Rear)	2473205300	-	-
8	-	07970	Bushing LH	2473330500	-	-							



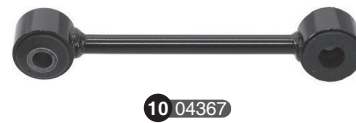
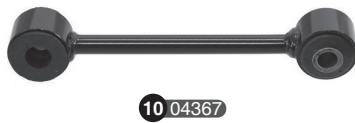
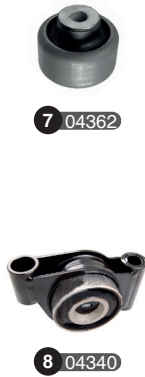
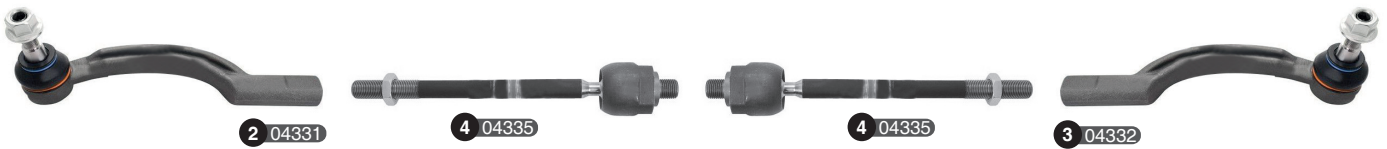
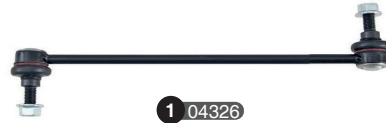
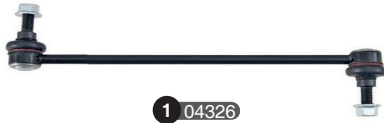


Ref	Old code	CODE	Description	OE - Number	OE - Number	FEATURES	Ref	Old code	CODE	Description	OE - Number	OE - Number	FEATURES
1	-	07963	Stabilizer link	2473204200	2473207503	-	9	-	07987	Bushing RH	2473331200	-	-
2	-	07973	Tie rod end-L	2473308501	-	-	10	-	07972	Bushing	2473530500	-	-
3	-	07974	Tie rod end-R	2473308201	-	-	11	-	07975	Track Rod	2473501800	-	-
4	-	07981	Axial joint	2473380000	2473380100	-	12	-	07976	Bushing	2473521700	-	-
5	-	07984	Control arm complete-L	2473308702	-	-	13	-	07977	Track Rod	2473501700	-	-
6	-	07985	Control arm complete-R	2473308802	-	-	14	-	07978	Bushing	2473501700 PART OF	2473521500 PART OF	-
7	-	06563	Bushing	2043308011 PART OF	2123330214 PART OF	-	15	-	07988	Bushing	2473522100	-	-
8	-	07986	Bushing LH	2473331100	-	-	16	-	07980	Stabilizer link (Rear)	2473205300	-	-





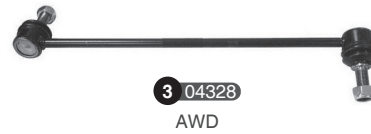
Ref	Old code	CODE	Description	OE - Number	OE - Number	FEATURES	Ref	Old code	CODE	Description	OE - Number	OE - Number	FEATURES
1	-	07963	Stabilizer link	2473204200	2473207503	-	9	-	07987	Bushing RH	2473331200	-	-
2	-	07989	Tie rod end-L	2473308701	-	-	10	-	07975	Track Rod	2473501800	-	-
3	-	07990	Tie rod end-R	2473308601	-	-	11	-	07976	Bushing	2473521700	-	-
4	-	07981	Axial joint	2473380000	2473380100	-	12	-	07977	Track Rod	2473501700	-	-
5	-	07984	Control arm complete-L	2473308702	-	-	13	-	07978	Bushing	2473501700 PART OF	2473521500 PART OF	-
6	-	07985	Control arm complete-R	2473308802	-	-	14	-	07988	Bushing	2473522100	-	-
7	-	06563	Bushing	2043308011 PART OF	2123330214 PART OF	-	15	-	07980	Stabilizer link (Rear)	2473205300	-	-
8	-	07986	Bushing LH	2473331100	-	-							





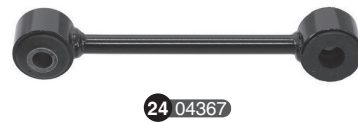
Ref	Old code	CODE	Description	OE – Number	OE – Number	FEATURES	Ref	Old code	CODE	Description	OE – Number	OE – Number	FEATURES
1	-	04326	Stabilizer link	4473200489	-	Front (1.6)	6	-	04337	CONTROL ARM-RH (LOWER) (COMPLETE)	4473303500	-	-
2	-	04331	Tie rod end-L	4474600248	-	(1.6)	7	-	04362	Bushing	6393301207 Part of	6393331114	"109/111 CDI/BLUETEC (1.6L) EXC. 109/111 CDI/BLUETEC (1.6L)"
3	-	04332	Tie rod end-R	4474600348	-	(1.6)	8	-	04340	BUSHING	4473303400 PART OF 2	4473303500 PART OF 2	-
4	-	04335	Axial joint	4474600055	-	-	9	-	04319	Ball joint	4473330127	-	-
5	-	04336	CONTROL ARM-LH (LOWER) (COMPLETE)	4473303400	-	-	10	-	04367	STABILIZER LINK (REAR)	6393260216	6393260616	-





EXC. 109/111 CDI/BLUETEC (1.6L)







Ref	Old code	CODE	Description	OE – Number	OE – Number	FEATURES	Ref	Old code	CODE	Description	OE – Number	OE – Number	FEATURES
1	-	04326	Stabilizer link	4473200489	-	Front (1.6)	15	-	04325	Bushing	4473301407 Part of	4473330514	EXC. 109/111 CDI/BLUETEC (1.6L)
2	-	04327	Stabilizer link-L	4473200189	-	Front / AWD	16	-	04362	Bushing	6393301207 Part of	6393331114	"109/111 CDI/BLUETEC (1.6L) EXC. 109/111 CDI/BLUETEC (1.6L)"
3	-	04328	Stabilizer link-R	4473200289	-	Front / AWD							
4	-	04329	Stabilizer link-L	4473200089	-	Front							
5	-	04330	Stabilizer link-R	4473200389	-	Front							
6	-	04331	Tie rod end-L	4474600248	-	(1.6)							
7	-	04332	Tie rod end-R	4474600348	-	(1.6)	17	-	04319	Ball joint	4473330127	-	-
8	-	04333	Tie rod end-L	4474600048	-	-	18	-	04315	CONTROL ARM-LH (LOWER) (COMPLETE)	4473303100	-	-
9	-	04334	Tie rod end-R	4474600148	-	-	19	-	04316	CONTROL ARM-RH (LOWER) (COMPLETE)	4473303000	-	-
10	-	04335	Axial joint	4474600055	-	-	20	-	04320	BUSHING	4473330400	-	-
11	-	04321	Control arm complete-L	4473301407	-	Lower (EXC. 109/111 CDI/BLUETEC (1.6L))	21	-	04336	CONTROL ARM-LH (LOWER) (COMPLETE)	4473303400	-	-
12	-	04322	Control arm complete-R	4473301507	-	Lower (EXC. 109/111 CDI/BLUETEC (1.6L))	22	-	04337	CONTROL ARM-RH (LOWER) (COMPLETE)	4473303500	-	-
13	-	04323	Control arm w/o ball joint-L	4473301407 Part of	-	-	23	-	04340	BUSHING PART OF 2	4473303400 PART OF 2	4473303500 PART OF 2	-
14	-	04324	Control arm w/o ball joint-R	4473301507 Part of	-	-	24	-	04367	STABILIZER LINK (REAR)	6393260216	6393260616	-

