



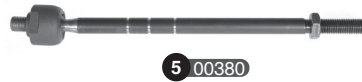
MANZARDA



Ref	Old code	CODE	Description	OE - Number	OE - Number	FEATURES	Ref	Old code	CODE	Description	OE - Number	OE - Number	FEATURES
1	MZD40	00740	Tie rod end	8AB132280	KB09232280	-	2	-	01490	Axial joint	D0013224X	KK15032240	M12x1,25- M16x1,5-266 mm



Ref	Old code	CODE	Description	OE - Number	OE - Number	FEATURES	Ref	Old code	CODE	Description	OE - Number	OE - Number	FEATURES
1	MZD05	00722	Tie rod end	8AB232280	-	M12x1,25-Female-M12x1,25-74 mm	2	-	01726	Axial joint	D0613224XA	-	M12x1,25-M17x1-278 mm

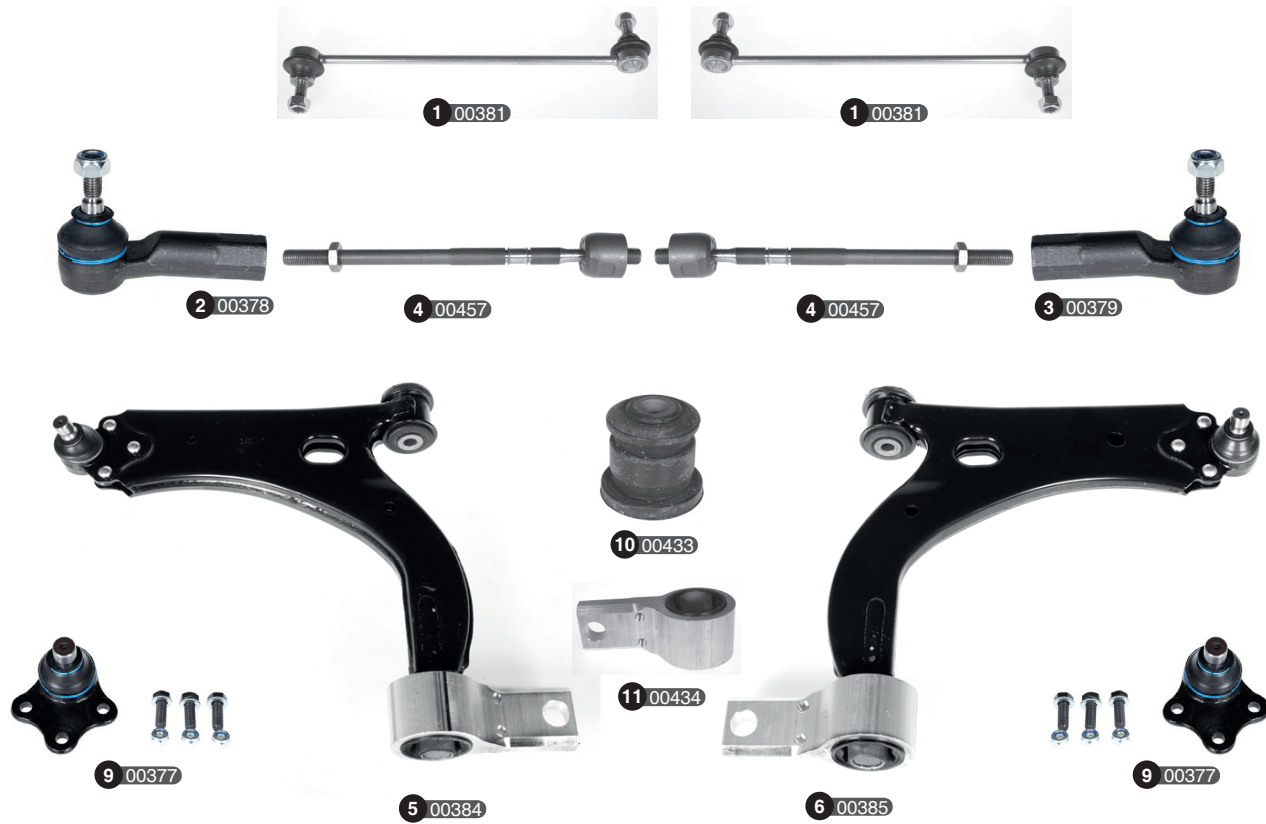






Ref	Old code	CODE	Description	OE – Number	OE – Number	FEATURES	Ref	Old code	CODE	Description	OE – Number	OE – Number	FEATURES
1	FR010	00353	Stabilizer link	96FB3B438AB	1071336	M10x1,5-238 mm (METAL)	8	FR011-L	00356	Control arm complete-L	1009598	1046073	210,5 mm
2	FR013	00359	Stabilizer link	1107068 Part of	1111769 Part of	M10x1,5-238 mm (ALUMINIUM)	9	FR011-R	00357	Control arm complete-R	4S613042AA	1015263	210,5 mm
3	FR050-L	00397	Tie rod end-L	1011858	1E0132280A	M10x1,5-Female-M14x2-75 mm	10	FR008-L	00349	Control arm w/o ball joint-L	1009598 Part of	1020220 Part of	-
4	FR050-R	00398	Tie rod end-R	1011857	1E0032280A	M10x1,5-Female-M14x2-75 mm	11	FR008-R	02258	Control arm w/o ball joint-R	1003575 Part of	1015260 Part of	-
5	FR036	00380	Axial joint	1044014	1E0032240	M14x2-M14x1,5-307 mm	12	FR130	00430	Ball joint	1030025	1047797	16,5-Lower-3 bolts
6	FR009-L	00351	Control arm complete-L	1003585	1015264	17,5-305 mm	13	FR131	00431	Bushing	1010037	1055191	Small
7	FR009-R	00352	Control arm complete-R	1003575	1015260	17,5-305 mm	14	FR132	00432	Bushing	1004011	1063372	Big

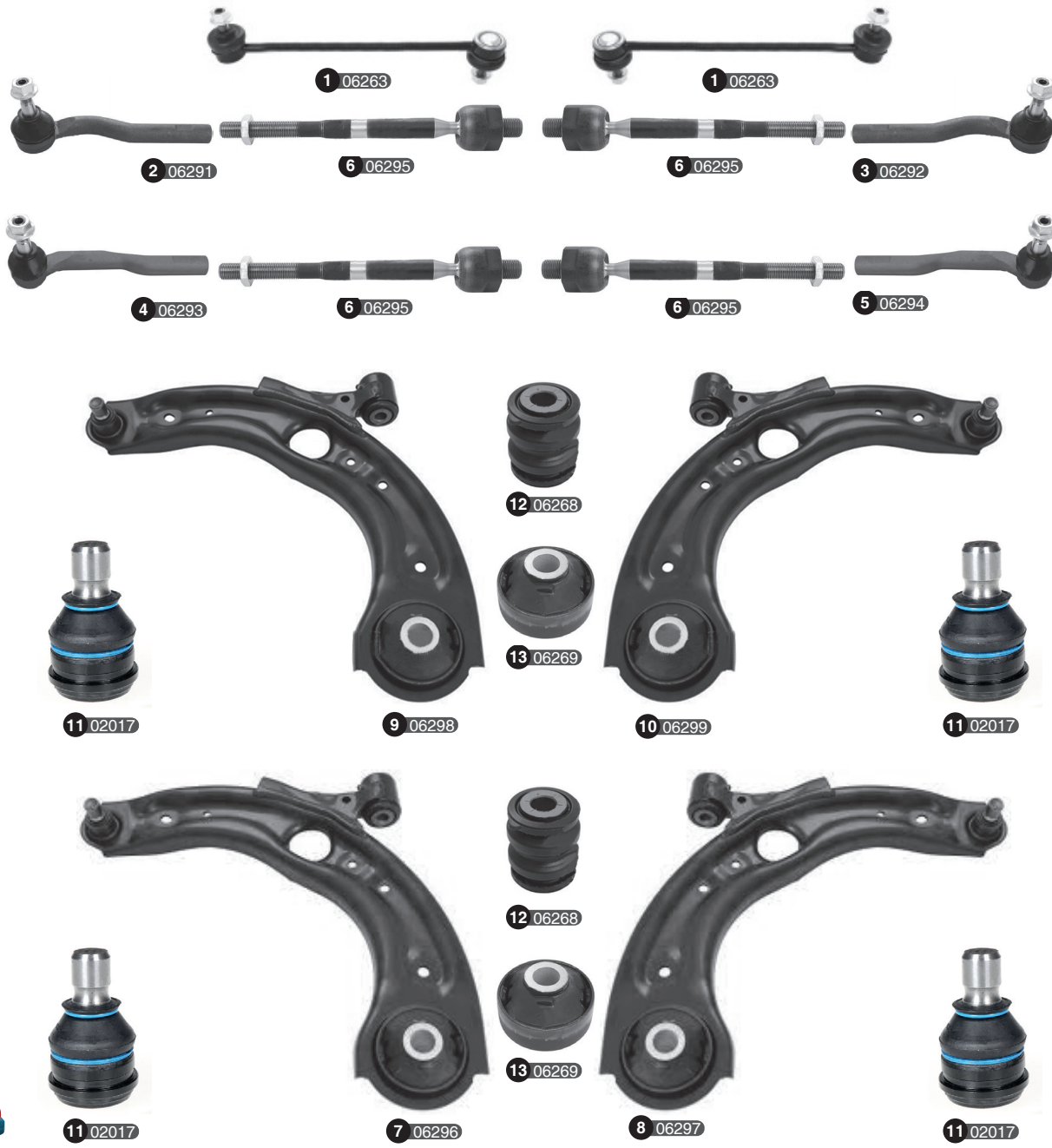




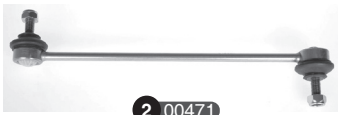
Ref	Old code	CODE	Description	OE - Number	OE - Number	FEATURES	Ref	Old code	CODE	Description	OE - Number	OE - Number	FEATURES
1	FR037	00381	Stabilizer link	1146150	2S613B438AC	M10x1,5-283,5 mm (FRONT)	7	FR039-L	00382	Control arm w/o ball joint-L	1146131 Part of	1212808 Part of	-
2	FR035-L	00378	Tie rod end-L	1202549	2S6J3290AC	M10X1.5-M14X1.5-93 mm	8	FR039-R	00383	Control arm w/o ball joint-R	1207447 Part of	1214911 Part of	-
3	FR035-R	00379	Tie rod end-R	1202548	2S6J3289AC	M10X1.5-M14X1.5-93 mm	9	FR034	00377	Ball joint	2S613395AB Part of	DD3234300 Part of	16,5-Lower
4	FR173	00457	Axial joint	2S6C3280KA	2S6C3280KB	M14x1,5-M14x1,5-278 mm	10	FR133	00433	Bushing	1212807S1	-	Small
5	FR040-L	00384	Control arm complete-L	1146131	1212808	16,5-319 mm	11	FR134	00434	Bushing	1212807S2	-	Big / Aluminium
6	FR040-R	00385	Control arm complete-R	1207447	1212807	16,5-319 mm							



Ref	Old code	CODE	Description	OE - Number	OE - Number	FEATURES	Ref	Old code	CODE	Description	OE - Number	OE - Number	FEATURES
1	-	02165	Stabilizer link	1513343 Part of	-	M10x1,5-252 mm (METAL)	7	-	06306	Control arm complete-R	D65134300	D65134300D	-
2	-	03389	Stabilizer link	D65134170	1513343	M10x1,5-251,5 mm (ALUMINIUM)	8	-	02017	Ball joint	1518904 Part of	1520778 Part of	17,5-Lower
3	-	06302	Tie rod end-L	D65132290	D65332290	-	9	-	06307	Bushing	D65134470	-	Small
4	-	06303	Tie rod end-R	D65132280	-	-	10	-	06308	Bushing-L	D65134350 Part of	D65134350E Part of	Big
5	-	06304	Axial joint	D65132240	D65332240	-	11	-	06309	Bushing-R	D65134300 Part of	D65134300C Part of	Big
6	-	06305	Control arm complete-L	D65134350	D65134350E	-	12	-	06310	Bushing	D65128460	-	-



Ref	Old code	CODE	Description	OE - Number	OE - Number	FEATURES	Ref	Old code	CODE	Description	OE - Number	OE - Number	FEATURES
1	-	06263	Stabilizer link	DA6A34170	DA7V34170	FRONT	9	-	06298	Control arm complete-L	D09H34350C	-	DL 01/2015 ->
2	-	06291	Tie rod end-L	DA8A32290	-	DJ	10	-	06299	Control arm complete-R	D09H34300C	-	DL 01/2015 ->
3	-	06292	Tie rod end-R	DA8A32280	-	DJ	11	-	02017	Ball joint	1518904 Part of	1520778 Part of	"17,5-Lower (DJ 11/2014 -> DL 01/2015 ->)"
4	-	06293	Tie rod end-L	DA6T32290	-	DL	12	-	06268	Bushing	D09H34300C Part of	D10E34300 Part of	"DJ 11/2014 -> DL 01/2015 ->"
5	-	06294	Tie rod end-R	DA6T32280	-	DL	13	-	06269	Bushing	D09H34300C Part of	D10E34300 Part of	"DJ 11/2014 -> DL 01/2015 ->"
6	-	06295	Axial joint	D09H32240	-	-							
7	-	06296	Control arm complete-L	DA7H34350B	-	DJ 11/2014 ->							
8	-	06297	Control arm complete-R	DA7H34300B	-	DJ 11/2014 ->							



2 00471



2 00471



3 02315



3 02315



4 03611



4 03611



5 01756



7 01758



7 01758



6 01757



16 02668



21 03247



16 02668



8 03005



20 05393



9 03006



16 02668



22 00494



16 02668



17 03248



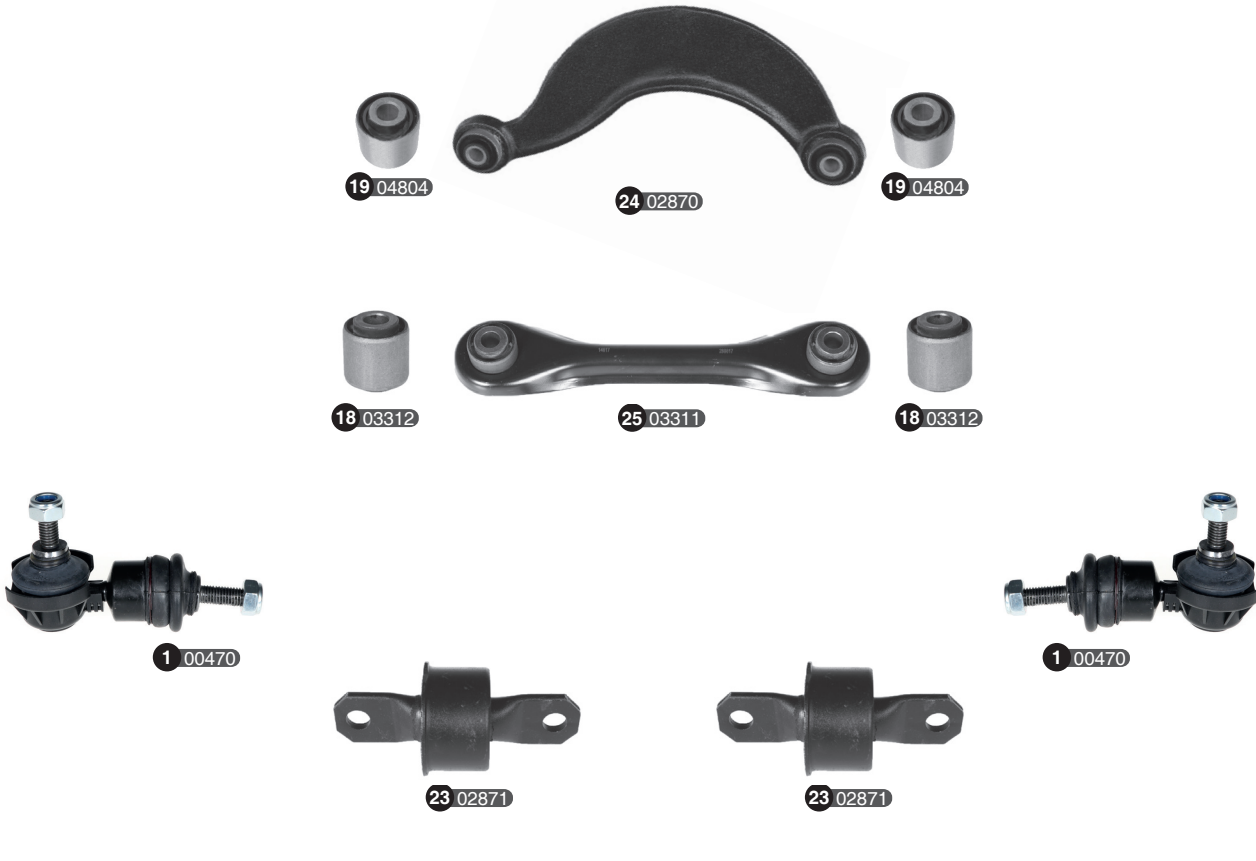
12 03803



13 03804



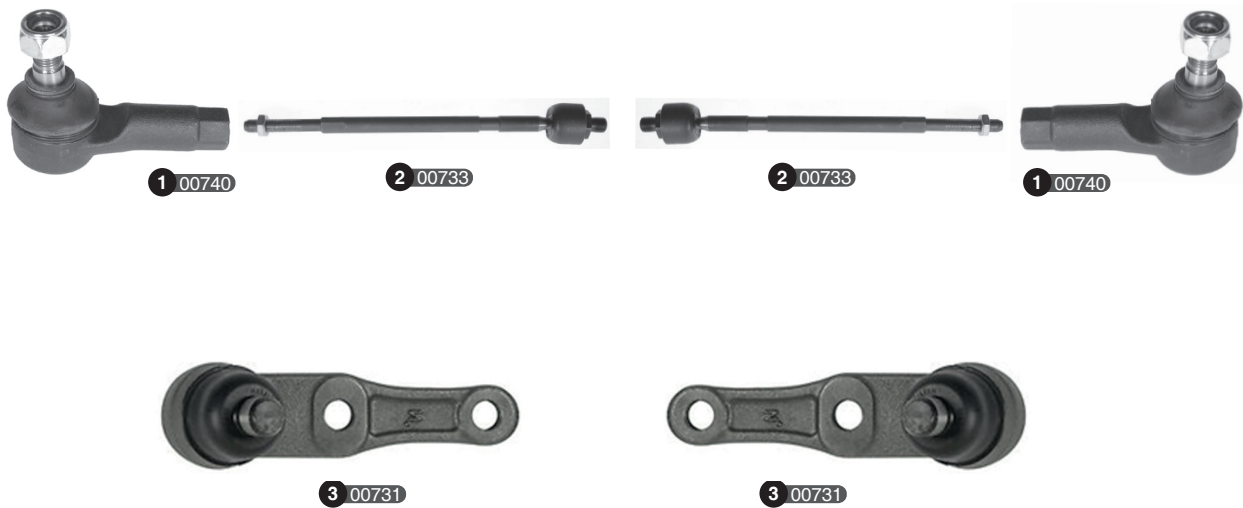




Ref	Old code	CODE	Description	OE - Number	OE - Number	FEATURES	Ref	Old code	CODE	Description	OE - Number	OE - Number	FEATURES
1	FR209	00470	Stabilizer link	1310333	1335548	M10x1,5-76 mm (REAR)	13	-	03804	Control arm complete-R	B39D34300	BBM234300A	BL
2	FR210	00471	Stabilizer link	1223792	1230909	M10x1,5-298 mm (BL 06/2009-->(19)	14	-	06424	Control arm w/o ball joint-L	B39D34350 Part of	BBM234350 Part of	-
3	MZD22	02315	Stabilizer link	BBM334170		M10x1,5-298 mm (BL 06/2009-->(16)	15	-	06425	Control arm w/o ball joint-R	B39D34300 Part of	BBM234300 Part of	-
4	-	03611	Stabilizer link	BP4K34170C	BP4K34170D	"M10x1,25-306 mm (FRONT) (BK 06/2003-->)"	16	-	02668	Ball joint	B32H34250E	B32H34250ES1	LOWER (BK / BL)
5	-	01756	Tie rod end-L	BP4L32290		M10x1,25-female-M17x1,5-106 mm	17	-	03248	Bushing	1702970 Part of	1702983 Part of	BG (BL)
6	-	01757	Tie rod end-R	BP4L32280		M10x1,25-female-M17x1,5-106 mm	18	-	03312	Bushing	4S4Z5A638AC	552561H000	
7	-	01758	Axial joint	BP4L32240		M17x1,5-M14x1,5-293 mm	19	-	04804	Bushing	1061659 Part of	1136072 Part of	-
8	-	03005	Control arm complete-L	B32H34350	B32H34350A	BK	20	-	05393	Bushing	C51334350 Part of 3	B32H34300C Part of 3	BG (BK)
9	-	03006	Control arm complete-R	B32H34300	B32H34300A	BK	21	-	03247	Bushing	1702970 Part of 6	1709423 Part of 6	SMALL (BK)
10	-	03007	Control arm w/o ball joint-L	B32H34350 Part of	B32H34350A Part of	-	22	FR233	00494	Bushing	1234371 Part of 4	1234375 Part of 4	SMALL (BL)
11	-	03008	Control arm w/o ball joint-R	B32H34300 Part of	B32H34300A Part of	-	23	-	02871	Axle Bushing	1061670	1304124	REAR (BK)
12	-	03803	Control arm complete-L	B39D34350	BBM234350A	BL	24	-	02870	Track rod	1061659	1136072	REAR
							25	-	03311	Track rod	1061668	1100983	223 mm-223-32,3-35 mm (REAR)



Ref	Old code	CODE	Description	OE - Number	OE - Number	FEATURES	Ref	Old code	CODE	Description	OE - Number	OE - Number	FEATURES
1	-	04748	Stabilizer link-L	KD3128190	-	REAR	10	-	04739	Ball joint	D10E34300 Part of	D10E34350 Part of	Lower
2	-	04749	Stabilizer link-R	KD3128170	-	REAR	11	-	04738	Bushing	KD3534470C	-	Small
3	-	05784	Stabilizer link-L	B45A34170	-	FRONT	12	-	05796	Bushing	B45A28480	-	-
4	-	05785	Stabilizer link-R	B45A34150	-	FRONT	13	-	05797	Bushing	B45A28450	-	-
5	-	04740	Tie rod end-L	GHT232290	-	-	14	-	05793	Bushing-L	KD3534350D Part of	KD3534350F Part of	Big
6	-	04741	Tie rod end-R	GHT232280	-	-	15	-	05794	Bushing-R	KD3534300D Part of	KD3534300H Part of	Big
7	-	04742	Axial joint	GHT232240	GHT232240A	-	16	-	05795	Track rod	B45C28C10	-	-
8	-	05791	Control arm complete-L	B45A34350D	B45G34350E	-	17	-	05798	Track rod	B45A28500	-	-
9	-	05792	Control arm complete-R	B45A34300D	B45G34300E	-							



Ref	Old code	CODE	Description	OE - Number	OE - Number	FEATURES	Ref	Old code	CODE	Description	OE - Number	OE - Number	FEATURES
1	MZD40	00740	Tie rod end	8AB132280	KB09232280	EXC. 4X4	3	MZD14	00731	Ball joint	0K20134550C	45535550	Lower
2	MZD26	00733	Axial joint	BF673224X	BF6232240	M12x1,25- M17x1-307 mm (PS EXC. 4X4)							





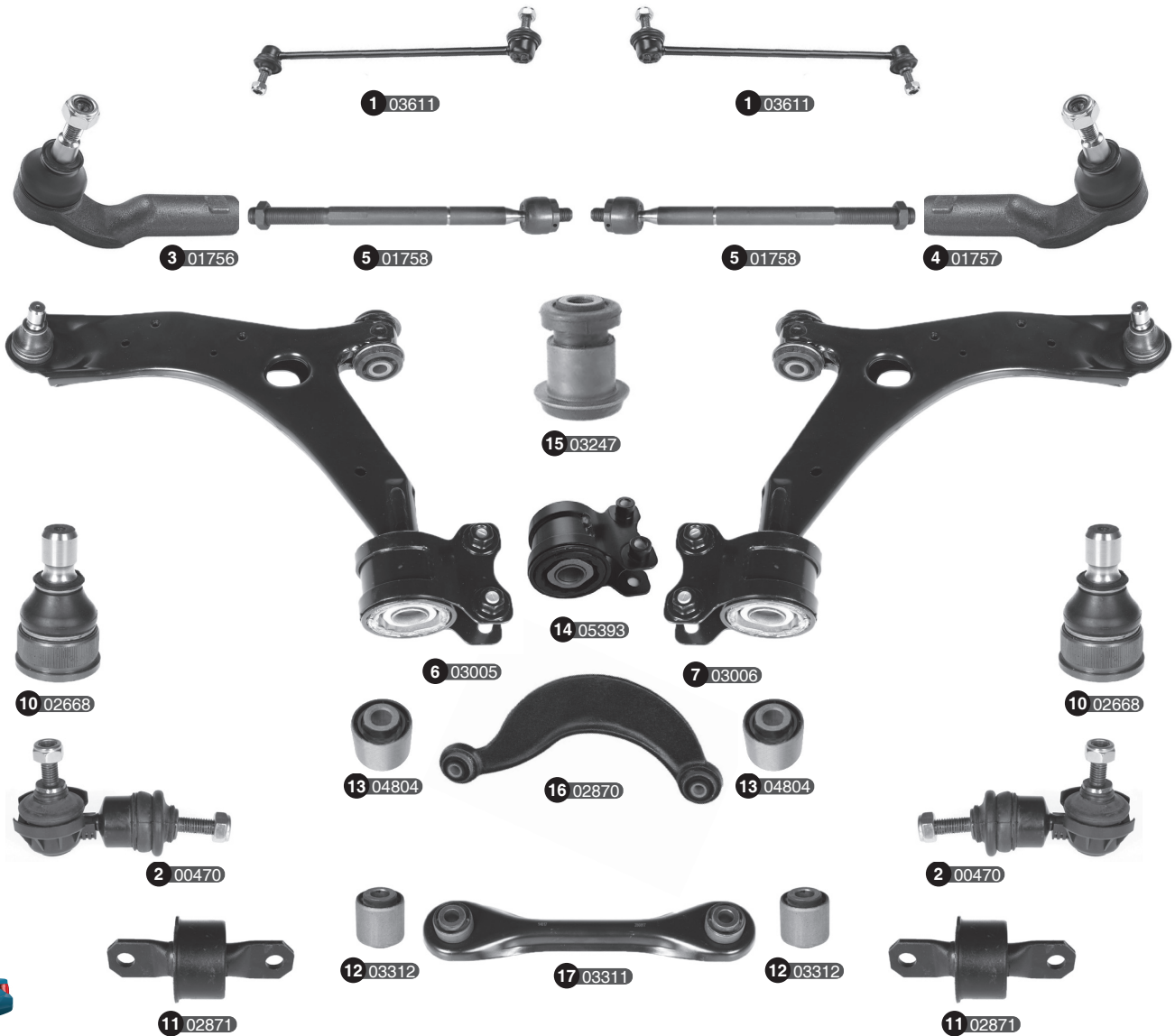
Ref	Old code	CODE	Description	OE - Number	OE - Number	FEATURES	Ref	Old code	CODE	Description	OE - Number	OE - Number	FEATURES
1	-	05530	Stabilizer link	8AG128100A	G03028158	Rear	4	MZD37	00738	Axial joint	B4553224X	-	M12x1,25- M16x1-325 mm (MS EXC. 4X4)
2	MZD05	00722	Tie rod end	8AB232280	-	"M12x1,25-Female- M12x1,25-74 mm (MS EXC. 4X4 PS EXC. 4X4)"	5	MZD08	00725	Ball joint	B01A34550	B01A34550A	Lower (03/1993 ->)
3	MZD36	00737	Axial joint	B4563224X	B4563225X	M12x1,25- M16x1-324 mm (PS EXC. 4X4)	6	MZD45	00742	Ball joint	B45534550	E01634550	Lower (-> 03/1993 / 4X4)



Ref	Old code	CODE	Description	OE - Number	OE - Number	FEATURES	Ref	Old code	CODE	Description	OE - Number	OE - Number	FEATURES
1	MZD01	00717	Stabilizer link	BC1D28170A	BC1D28170	M10x1,25-252 mm (REAR)	5	MZD06	00723	Axial joint	E0163225X	E0163224X	"M12x1,5-M16x1-335 mm (PS 323 F -> 12/1996)"
2	MZD03-L	00719	Stabilizer link-L	3410592	F15134170	M10x1,25-104 mm (FRONT)							
3	MZD03-R	00720	Stabilizer link-R	3410591	F15134150	M10x1,25-104 mm (FRONT)							
4	MZD05	00722	Tie rod end	8AB232280	-	"M12x1,25-Female-M12x1,25-74 mm (MS) (PS 323 F -> 12/1996) (PS 323 F 12/1996 ->)"	6	MZD07	00724	Axial joint	B21H3225X	B21H3224X	"M12x1,5-M14x1,5-335 mm (PS 323 F 12/1996 ->)"
							7	MZD08	00725	Ball joint	B01A34550	B01A34550A	Lower



Ref	Old code	CODE	Description	OE - Number	OE - Number	FEATURES	Ref	Old code	CODE	Description	OE - Number	OE - Number	FEATURES
1	MZD02	00718	Stabilizer link	B26R34170	-	M10x1,25-190 mm - Front (-> 07/2000)	7	-	04750	Control arm complete-L	B25D34350A	B25D34350B	-
2	MZD12	00729	Stabilizer link	B26R28170	M26R28170	M10x1,25-190 mm - Rear (-> 10/2000)	8	-	04751	Control arm complete-R	B25D34300A	B25D34300B	-
3	-	01683	Stabilizer link	5174185AB	5174185AC	M10x1,5-265 mm (08/2000 ->)	9	-	04752	Control arm w/o ball joint-L	B25D34350A Part of	B25D34350B Part of	-
4	-	01844	Stabilizer link	B30H28170B	-	M10x1,25-160 mm - Rear (11/2000 ->)	10	-	04753	Control arm w/o ball joint-R	B25D34300A Part of	B25D34300B Part of	-
5	MZD09	00726	Tie rod end	3405915	8AG332280	-	11	-	04756	Ball joint	B25D34300D Part of	B25D34350D Part of	Lower
6	-	01591	Axial joint	B25D32250	B25D32240	M14x1,5- M16x1-310 mm	12	-	04754	Bushing	B25D34470	C10034470A	Small
							13	-	04755	Bushing	B25D34460	C10034460B	Big



Ref	Old code	CODE	Description	OE - Number	OE - Number	FEATURES	Ref	Old code	CODE	Description	OE - Number	OE - Number	FEATURES
1	-	03611	Stabilizer link	BP4K34170C	BP4K34170D	M10x1,25-306 mm (FRONT)	9	-	03008	Control arm w/o ball joint-R	B32H34300	Part of B32H34300B	-
2	FR209	00470	Stabilizer link	1310333	1335548	M10x1,5-76 mm (REAR)	10	-	02668	Ball joint	B32H34250E	B32H34250ES1	Lower
3	-	01756	Tie rod end-L	BP4L32290	-	M10x1,25-Female-M17x1,5-106 mm	11	-	02871	Axle Bushing	1061670	1304124	-
4	-	01757	Tie rod end-R	BP4L32280	-	M10x1,25-Female-M17x1,5-106 mm	12	-	03312	Bushing	4S4Z5A638AC	552561H000	-
5	-	01758	Axial joint	BP4L32240	-	M17x1,5-M14x1,5-293 mm	13	-	04804	Bushing	1061659	Part of 1136072	Part of -
6	-	03005	Control arm complete-L	B32H34350	B32H34350A	-	14	-	05393	Bushing	C51334350	Part of B32H34300A	Part of Big
7	-	03006	Control arm complete-R	B32H34300	B32H34300A	-	15	-	03247	Bushing	1702970	Part of 1702983	Part of Small
8	-	03007	Control arm w/o ball joint-L	B32H34350	Part of B32H34350B	Part of -	16	-	02870	Track rod	1061659	1136072	REAR
							17	-	03311	Track rod	1061668	1100983	223-223-32,3-35 mm (REAR)



Ref	Old code	CODE	Description	OE - Number	OE - Number	FEATURES	Ref	Old code	CODE	Description	OE - Number	OE - Number	FEATURES
1	-	01751	Stabilizer link	GJ6A28170A	GJ6A28170B	M10x1,5-76 mm (REAR)	6	-	01748	Axial joint	GJ6A32240	GJ6E32240	M14x1,5- M18x1,5-181 mm
2	-	01749	Stabilizer link-L	GJ6A34170A	-	M10x1,25-155 mm (FRONT)	7	-	06311	Control arm complete-L	GJ6A34250B	-	-
3	-	01750	Stabilizer link-R	GJ6A34150A	-	M10x1,25-155 mm (FRONT)	8	-	06312	Control arm complete-R	GJ6A34200B	-	-
4	-	01746	Tie rod end-L	GJ6E32290	-	-	9	-	02669	Ball joint	GJ6A34540	-	Lower
5	-	01747	Tie rod end-R	GJ6E32280	GJ6E32280A	-	10	-	06313	Track rod	G26A28500A	G26A28500B	-

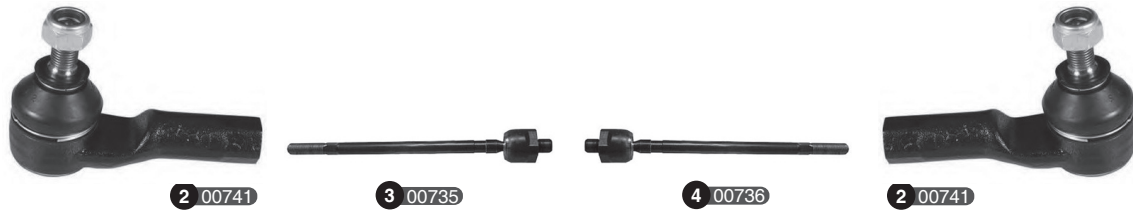




Ref	Old code	CODE	Description	OE - Number	OE - Number	FEATURES	Ref	Old code	CODE	Description	OE - Number	OE - Number	FEATURES
1	-	03379	Stabilizer link	GS1D28170	-	M12x1,25-63 mm (REAR)	6	-	06316	Axial joint	GS1D32240	-	-
2	-	03369	Stabilizer link-L	GS1D34170	-	M10x1,5-158 mm (FRONT)	7	-	06317	Upper control arm complete-L	GS1D34250A	GS1D34250C	-
3	-	03370	Stabilizer link-R	GS1D34150	-	M10x1,5-158 mm (FRONT)	8	-	06318	Upper control arm complete-R	GS1D34200A	-	-
4	-	06314	Tie rod end-L	GS1D32290	-	-	9	-	02669	Ball joint	GJ6A34540	-	Lower
5	-	06315	Tie rod end-R	GS1D32280	-	-	10	-	06319	Bushing	GS1D34200A Part of	GS1D34250A Part of	UPPER

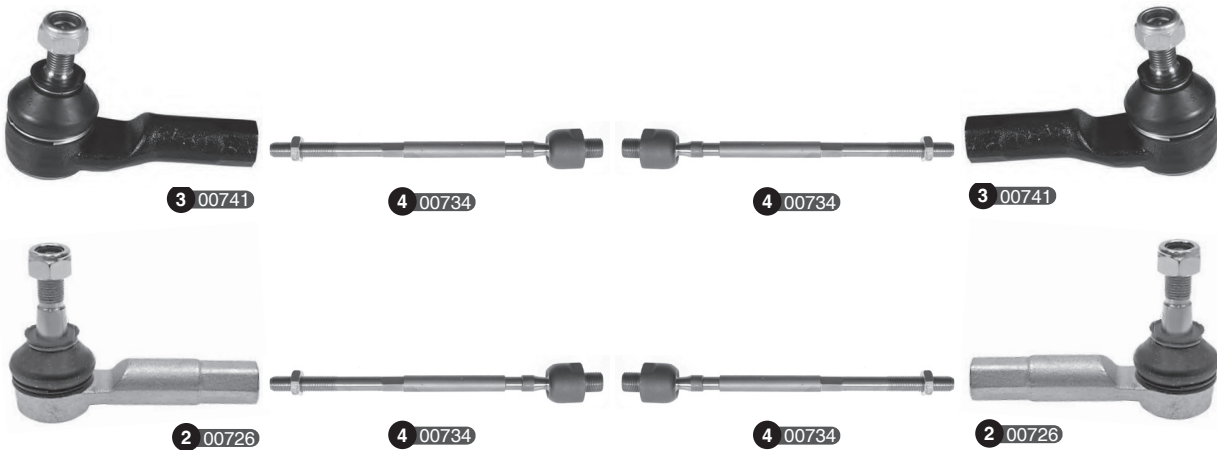


Ref	Old code	CODE	Description	OE - Number	OE - Number	FEATURES	Ref	Old code	CODE	Description	OE - Number	OE - Number	FEATURES
1	-	04743	Stabilizer link	KD3534170	-	FRONT	10	-	04737	Control arm w/o ball joint-R	G46C34300 Part of	GHP934300A Part of	-
2	-	04748	Stabilizer link-L	KD3128190	-	REAR	11	-	04739	Ball joint	D10E34300 Part of	KD3534300D Part of	Lower
3	-	04749	Stabilizer link-R	KD3128170	-	REAR		-	-	04738	Bushing	KD3534470C	-
4	-	04740	Tie rod end-L	GHT232290	-	-	13	-	04745	Bushing	GHP928480	KD3528450	-
5	-	04741	Tie rod end-R	GHT232280	-	-	14	-	04746	Bushing	GHP928450	KD3528480	-
6	-	04742	Axial joint	GHT232240	GHT232240A	-	15	-	05793	Bushing-L	KD3534350D Part of	KD3534350H Part of	Big
7	-	04734	Control arm complete-L	G46C34350	GHP934350A	-	16	-	05794	Bushing-R	KD3534300D Part of	KD3534300F Part of	Big
8	-	04735	Control arm complete-R	G46C34300	GHP934300A	-	17	-	04744	Track rod	GHP928C10	-	REAR
9	-	04736	Control arm w/o ball joint-L	G46C34350 Part of	GHP934350A Part of	-	18	-	04747	Track rod	GHP928500	-	REAR

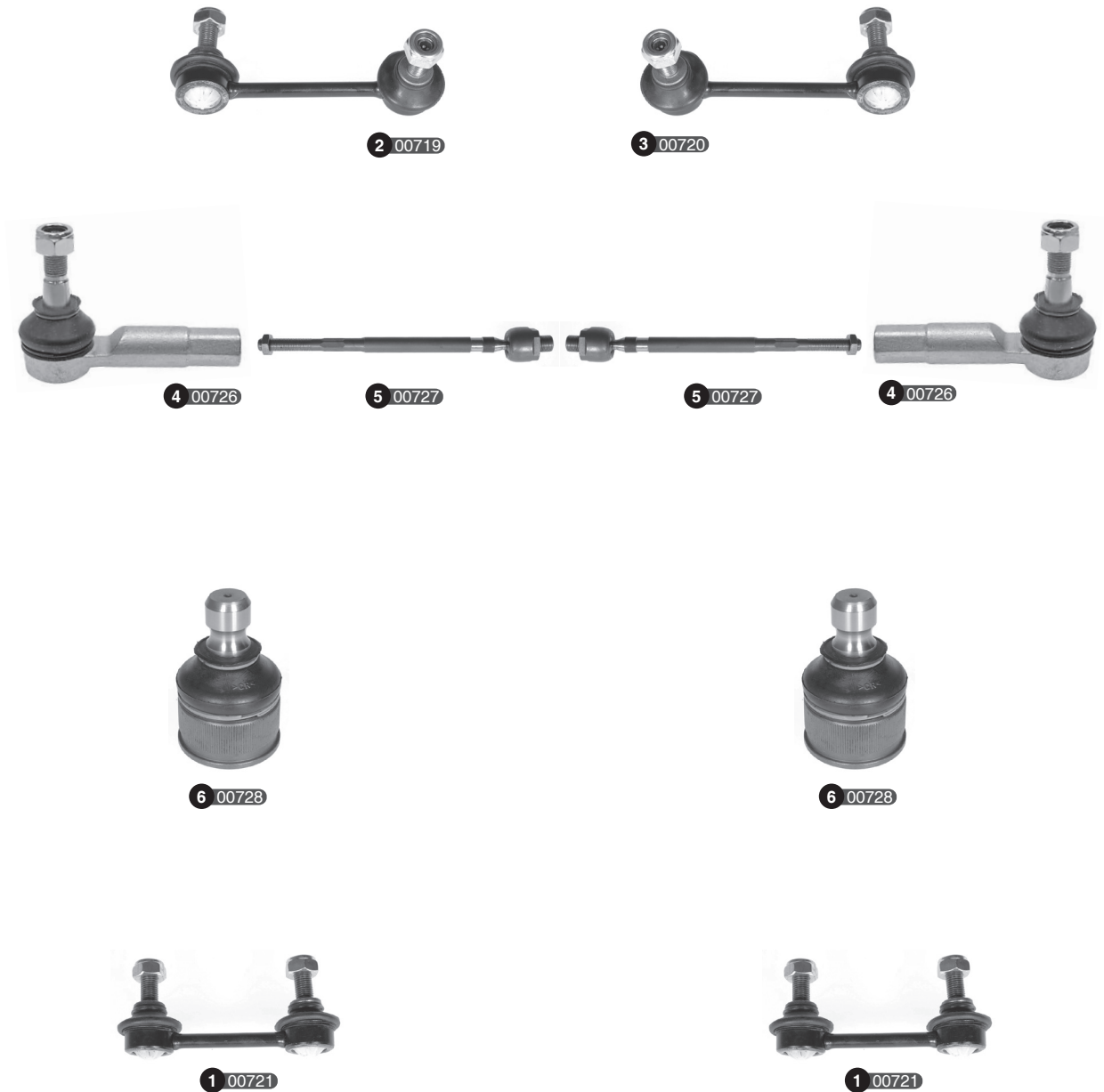


Ref	Old code	CODE	Description	OE - Number	OE - Number	FEATURES	Ref	Old code	CODE	Description	OE - Number	OE - Number	FEATURES
1	-	05530	Stabilizer link	G03028157F	G03028157	REAR	4	MZD34-R	00736	Axial joint-R	E03032240A	G03032240A	M14x1,5- M16x1-261 mm
2	MZD44	00741	Tie rod end	139199322	8AH132280	-							
3	MZD34-L	00735	Axial joint-L	E03032250A	G03032250	-	5	MZD11	00728	Ball joint	G03099356	GE4T34300E	18-Lower





Ref	Old code	CODE	Description	OE - Number	OE - Number	FEATURES	Ref	Old code	CODE	Description	OE - Number	OE - Number	FEATURES
1	-	05530	Stabilizer link	G03028158	G03028157	REAR 2WD	4	MZD29	00734	Axial joint	GJ2232240	GJ223224X	M14x1,5- M18x1,5-285 mm
2	MZD09	00726	Tie rod end	3405915	8AG332280	08/1989 ->	5	MZD11	00728	Ball joint	G03099356	GE4T34300E	18-Lower
3	MZD44	00741	Tie rod end	139199322	8AH132280	-> 07/1989							



Ref	Old code	CODE	Description	OE - Number	OE - Number	FEATURES	Ref	Old code	CODE	Description	OE - Number	OE - Number	FEATURES
1	MZD04	00721	Stabilizer link	3799085	GA2B28170B	M10x1,25-87 mm (REAR)	4	MZD09	00726	Tie rod end	3405915	8AG332280	-
2	MZD03-L	00719	Stabilizer link-L	3410592	F15134170	M10x1,25-104 mm (FRONT)	5	MZD10	00727	Axial joint	3405940	F32Z3280A	M14x1,5- M18x1,5-300 mm
3	MZD03-R	00720	Stabilizer link-R	3410591	F15134150	M10x1,25-104 mm (FRONT)	6	MZD11	00728	Ball joint	G03099356	GE4T34300E	18-Lower



Ref	Old code	CODE	Description	OE - Number	OE - Number	FEATURES	Ref	Old code	CODE	Description	OE - Number	OE - Number	FEATURES
1	MZD13	00730	Stabilizer link	GE4T128170	GE4T28170A	M10x1,25-231,5 mm (REAR)	4	MZD09	00726	Tie rod end	3405915	8AG332280	-
2	MZD03-L	00719	Stabilizer link-L	3410592	-	M10x1,25-104 mm (FRONT)	5	-	01589	Axial joint	GE4T32240	GE4T32240A	M14x1,5- M18x1,5-307 mm
3	MZD03-R	00720	Stabilizer link-R	3410591	F15134150	M10x1,25-104 mm (FRONT)	6	MZD11	00728	Ball joint	G03099356	GE4T34300E	18-Lower



3 06194



3 06194



2 06193



2 06193



1 04601



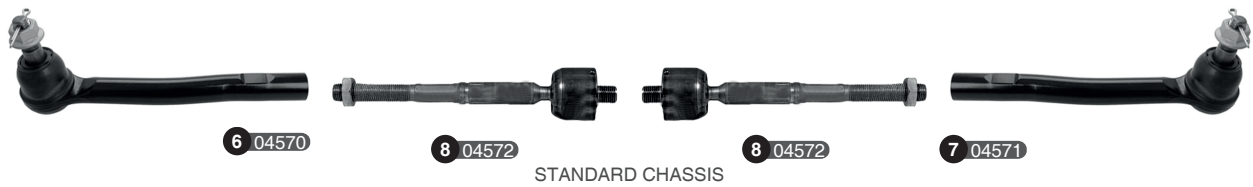
1 04601



Ref	Old code	CODE	Description	OE - Number	OE - Number	FEATURES	Ref	Old code	CODE	Description	OE - Number	OE - Number	FEATURES
1	-	04601	Ball joint	3665732	8AU134510	UPPER	3	-	06194	Ball joint	3665787	8AU334510	Lower (4x4)
2	-	06193	Ball joint	8AU234510	3665782	Lower (4x2)							



Ref	Old code	CODE	Description	OE - Number	OE - Number	FEATURES	Ref	Old code	CODE	Description	OE - Number	OE - Number	FEATURES
1	-	06189	Tie rod end	3669079	UB3932280	2WD	4	-	04601	Ball joint	3665732	8AU134510	UPPER
2	-	06190	Tie rod end	3665759	UH7432250	ALL	5	-	06193	Ball joint	8AU234510	3665782	Lower (2WD)
3	-	06191	Tie rod end	3669093	UH7432280	4WD	6	-	06194	Ball joint	3665787	8AU334510	Lower (4WD)





19 04590



20 04591



21 04592



19 04590



20 04591



21 04592



Ref	Old code	CODE	Description	OE - Number	OE - Number	FEATURES	Ref	Old code	CODE	Description	OE - Number	OE - Number	FEATURES
1	-	04569	Stabilizer link	AB313052AA	1732869	-	12	-	04577	Ball joint	1723686	UC2R34540A	-
2	-	08123	STABILIZER LINK LH	AB313053CA PART OF	UC7C34170 PART OF	-	13	-	04578	BUSHING	1727222	AB313068BB	-
3	-	08124	STABILIZER LINK RH	UC7C34150 PART OF	1732872 PART OF	-	14	-	04583	CONTROL ARM LH (LOWER) (COMPLETE)	1723680	1727929	-
4	-	04567	Stabilizer link	1732874	AB313053CA	-	15	-	04584	CONTROL ARM RH (LOWER) (COMPLETE)	1813944	UC2R34300F	-
5	-	04568	Stabilizer link	1732872	AB313052CA	-	16	-	04587	BALL JOINT (LOWER)	AB313395AA	1727228	-
6	-	04570	Tie rod end L	1729240	1729241	-	17	-	04588	BUSHING	UC3C34450A	AB313A493BB	-
7	-	04571	Tie rod end R	AB313289AA	UC2M32280	-	18	-	04589	BUSHING	1731075	1727223	-
8	-	04572	AXIAL JOINT	AB313280AB	UC2M3224XA	-	19	-	04590	BUSHING	1730589	UC2R28450D	-
9	-	04727	Tie rod end R	AB313289BA	UC2N32280	-	20	-	04591	BUSHING	1729347	UC2R28480B	-
10	-	04579	CONTROL ARM LH (UPPER) (COMPLETE)	5232167	UC3C34250D	-	21	-	04592	BUSHING	1729345	UC2R28470B	-
11	-	04580	CONTROL ARM RH (UPPER) (COMPLETE)	1725696	5232166	-							







1 04953



1 04953



2 04594



2 04594



3 04595



3 04595



4 04596



4 04596



5 04601



6 04611



6 04611



5 04601



7 04617



7 04617



Ref	Old code	CODE	Description	OE - Number	OE - Number	FEATURES	Ref	Old code	CODE	Description	OE - Number	OE - Number	FEATURES
1	-	04593	Stabilizer link	3754149	9YA001002	FRONT	5	-	04601	Ball joint	3665732	8AU134510	"UPPER STANDARD CHASSIS UPPER RIDE HEIGHT PACK"
2	-	04594	Tie rod end	1454896	6M343280AA	-							
3	-	04595	Tie rod end	1454897	6M343289AA	STANDARD CHASSIS							
4	-	04596	Tie rod end	1454898	6M343289BA	RIDE HEIGHT PACK							
							6	-	04611	Ball joint	1454901	UR5834550	Lower (STANDARD CHASSIS)
							7	-	04617	Ball joint	1454902	UR6134550	Lower (RIDE HEIGHT PACK)



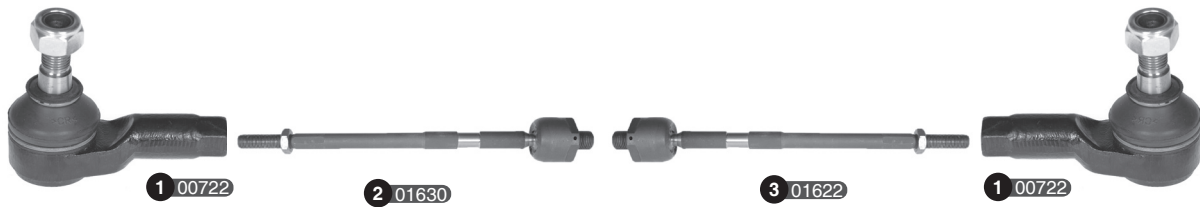
Ref	Old code	CODE	Description	OE - Number	OE - Number	FEATURES	Ref	Old code	CODE	Description	OE - Number	OE - Number	FEATURES
1	-	06263	Stabilizer link	DA6A34170	DA7V34170	FRONT	6	-	04739	Ball joint	D10E34300 Part of	KD3534300D Part of	Lower
2	-	06264	Tie rod end	D10E32280	-	-	7	-	06268	Bushing	D09H34300C Part of	D10E34300 Part of	Small
3	-	06265	Axial joint	D10E32240	-	-							
4	-	06266	Control arm complete-L	D10E34350	-	-	8	-	06269	Bushing	D09H34300C Part of	D10E34300 Part of	Big
5	-	06267	Control arm complete-R	D10E34300	-	-							



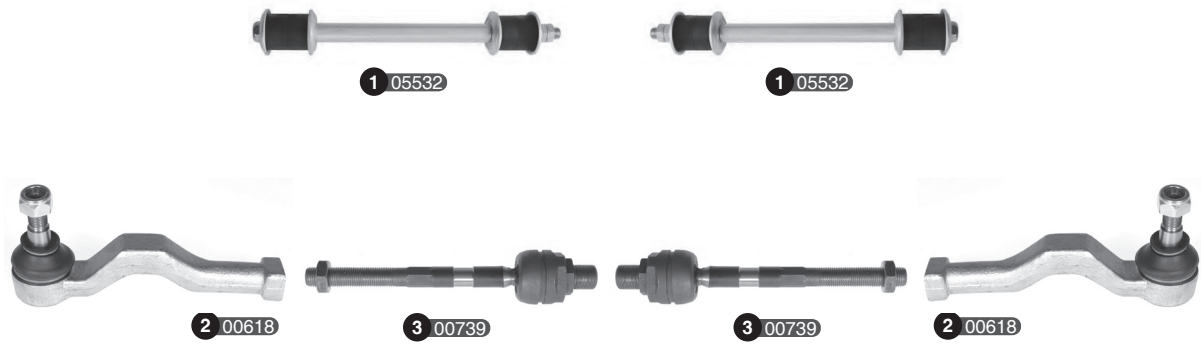
Ref	Old code	CODE	Description	OE - Number	OE - Number	FEATURES	Ref	Old code	CODE	Description	OE - Number	OE - Number	FEATURES
1	-	04743	Stabilizer link	KD3534170	-	FRONT	8	-	04730	Control arm w/o ball joint-L	KD3534300F Part of	KD3534350D Part of	-
2	-	04748	Stabilizer link-L	KD3128190	-	REAR	9	-	04731	Control arm w/o ball joint-R	KD3534300D Part of	KD3534300H Part of	-
3	-	04749	Stabilizer link-R	KD3128170	-	REAR	10	-	04739	Ball joint	D10E34300 Part of	D10E34350 Part of	Lower
4	-	04732	Tie rod end	KD3132280	-	-	11	-	04738	Bushing	KD3534470C	-	Small
5	-	04733	Axial joint	KD3132240	-	-	12	-	05793	Bushing-L	KD3534350D Part of	KD3534350E Part of	Big
6	-	04728	Control arm complete-L	KD3534300F	KD3534350D	-	13	-	05794	Bushing-R	KD5334300E Part of	KD3534300H Part of	Big
7	-	04729	Control arm complete-R	KD3534300D	KD3534300E	-							



Ref	Old code	CODE	Description	OE - Number	OE - Number	FEATURES	Ref	Old code	CODE	Description	OE - Number	OE - Number	FEATURES
1	MZD03-L	00719	Stabilizer link-L	3410592	F15134170	M10x1,25-104 mm (FRONT)	9	-	06271	Control arm complete-R	EG2134300D	EH4434300	-
2	MZD03-R	00720	Stabilizer link-R	3410591	F15134150	M10x1,25-104 mm (FRONT)	10	-	04760	Ball joint	EG2134300D Part of	EG2134350D Part of	Lower
3	-	06276	Stabilizer link-L	F15134150 Part of	-	REAR	11	-	06272	Bushing	EG2134300D Part of	EG2134350D Part of	Small
4	-	06277	Stabilizer link-R	F15134170 Part of	-	REAR	12	-	06275	Bushing	552532S000 Part of	-	-
5	-	04757	Tie rod end-L	EG2132290	EG2132290A	-	13	-	06273	Bushing-L	EG2134350D Part of	EH4434350 Part of	Big
6	-	04758	Tie rod end-R	EG2132280	EG2132280A	-	14	-	06274	Bushing-R	EG2134300D Part of	EH4434300 Part of	Big
7	-	04759	Axial joint	EG2132240	-	-	15	-	06327	Track rod	EG2128500B	-	-
8	-	06270	Control arm complete-L	EG2134350D	EH4434350	-							



Ref	Old code	CODE	Description	OE - Number	OE - Number	FEATURES	Ref	Old code	CODE	Description	OE - Number	OE - Number	FEATURES
1	MZD05	00722	Tie rod end	8AB232280	-	M12x1,25-Female-M12x1,25-74 mm	3	-	01622	Axial joint-R	D10232250	D10232250A	M12x1,25-M16x1,5-280 mm
2	-	01630	Axial joint-L	D10232240	D10232240A	M12x1,25-M16x1,5-279 mm							

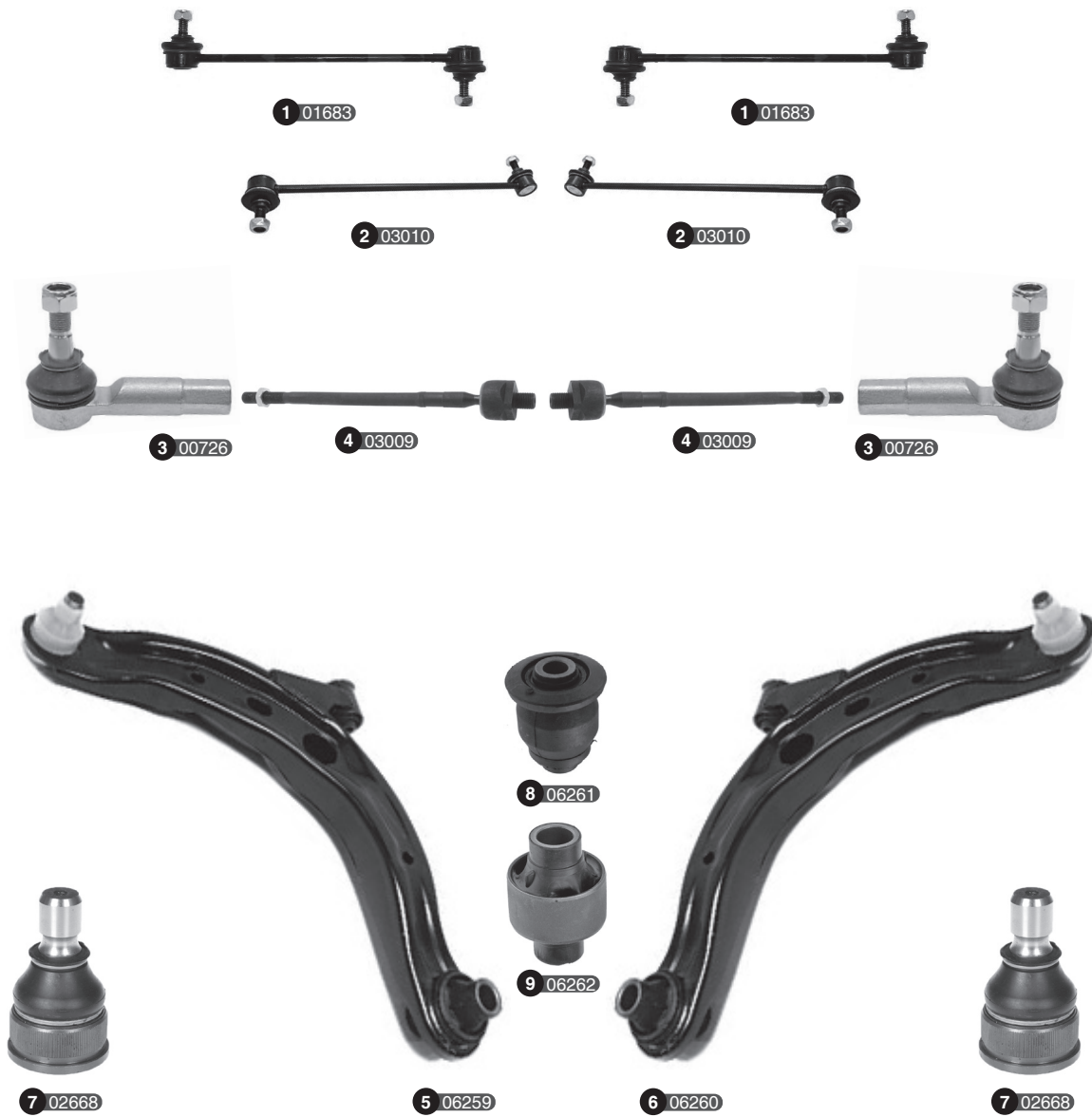


Ref	Old code	CODE	Description	OE - Number	OE - Number	FEATURES	Ref	Old code	CODE	Description	OE - Number	OE - Number	FEATURES
1	-	05532	Stabilizer link	9980308170	S08534158	Front - 175 mm	4	KIA002	00615	Ball joint	OK71034540	-	M16x1,5 (UPPER)
2	KIA014	00618	Tie rod end	S08399324	S08332240A	M12x1,25-Female-M14x1,5-158 mm							
3	MZD38	00739	Axial joint	FB0132240A	-	M14x1,5-M17x1-183 mm	5	MZD20	00732	Ball joint	S08399354	S47P34540	Lower (EXC. 4x4)



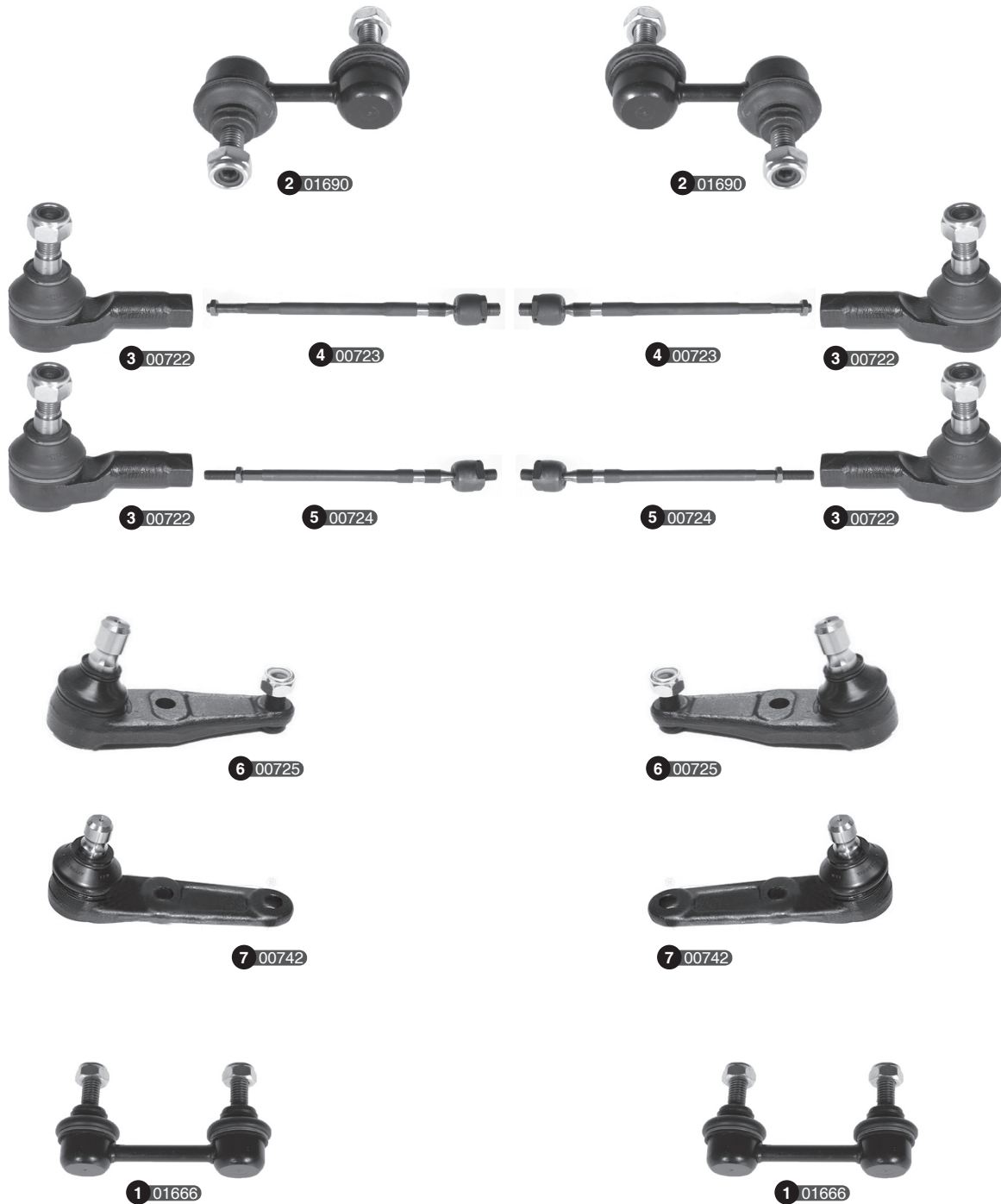
Ref	Old code	CODE	Description	OE - Number	OE - Number	FEATURES	Ref	Old code	CODE	Description	OE - Number	OE - Number	FEATURES
1	-	02694	Tie rod end	S47P32280	-	-	3	-	02696	Ball joint	S47P34550A	S47P34550B	Lower
2	-	02695	Axial joint	S47P32240A	S47P32250	-	4	KIA002	00615	Ball joint	S08399354	S47P34540	M16x1,5 (UPPER)





Ref	Old code	CODE	Description	OE - Number	OE - Number	FEATURES	Ref	Old code	CODE	Description	OE - Number	OE - Number	FEATURES
1	-	01683	Stabilizer link	5174185AB	LC6234170	M10x1,5-265 mm	6	-	06260	Control arm complete-R	LC6234300C	-	-
2	-	03010	Stabilizer link	LC7034170	-	Front - L = 325 mm	7	-	02668	Ball joint	B32H34250E	B32H34300 Part of	Lower
3	MZD09	00726	Tie rod end	3405915	8AG332280	-	8	-	06261	Bushing	LC6234470	-	Small
4	-	03009	Axial joint	LC6233240B	LC6232246	-	9	-	06262	Bushing	LC6234460B	-	Big
5	-	06259	Control arm complete-L	LC6234350C	-	-							

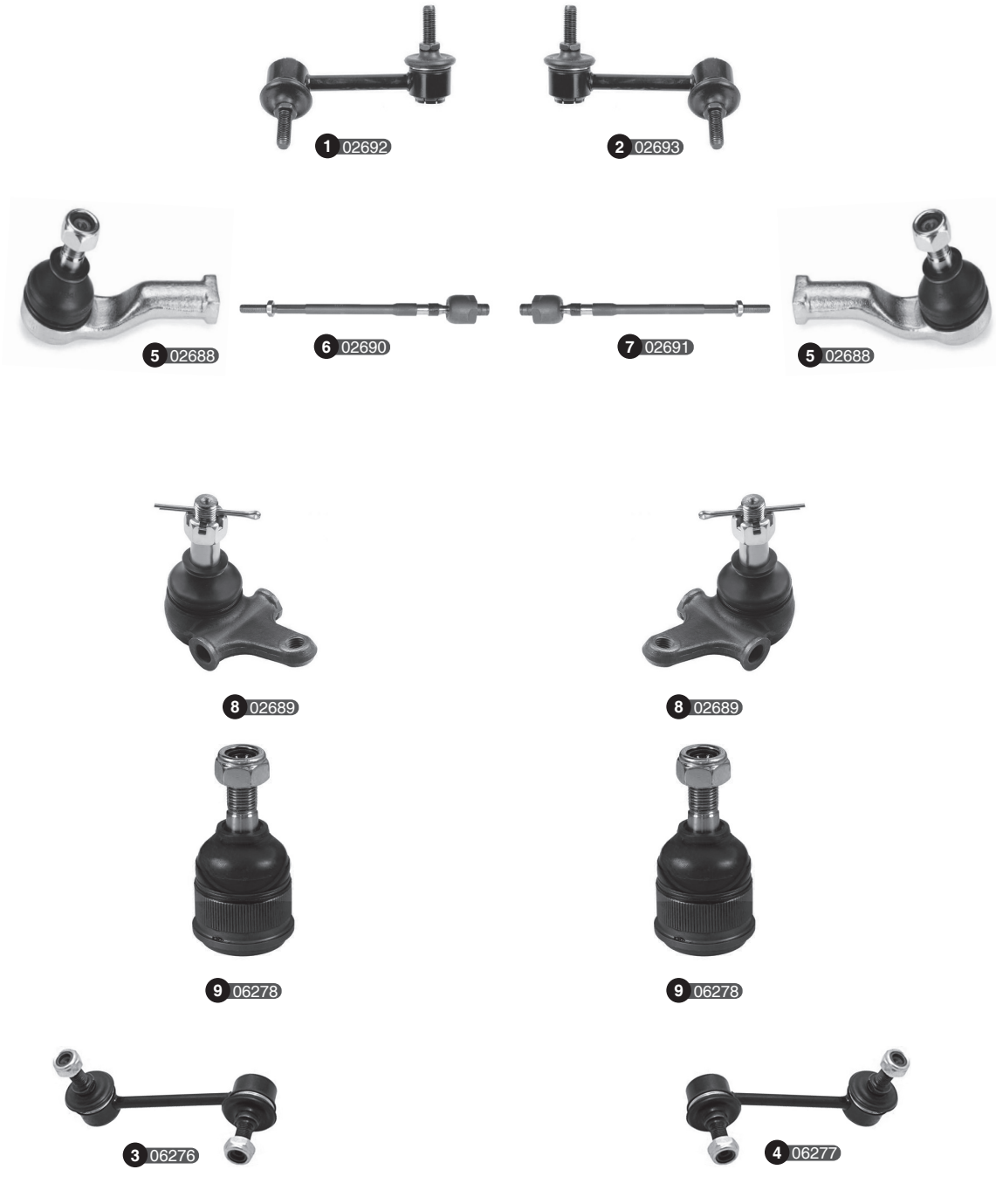




Ref	Old code	CODE	Description	OE - Number	OE - Number	FEATURES	Ref	Old code	CODE	Description	OE - Number	OE - Number	FEATURES
1	-	01666	Stabilizer link	EA0128170	EA0128170C	M10x1,5-80 mm (REAR)	5	MZD07	00724	Axial joint	B21H3224X	B21H3225X	M12x1,5- M14x1,5-335 mm (11/1996 ->)
2	-	01690	Stabilizer link	EA0334170A	EA0334170	M10x1,5-55 mm (FRONT)		6	MZD08	00725	Ball joint	B01A34550	B01A34550A
3	MZD05	00722	Tie rod end	8AB232280	-	M12x1,25-Female- M12x1,25-74 mm	7		MZD45	00742	Ball joint	B45534550	E01634550
4	MZD06	00723	Axial joint	E0163224X	E0163225X	M12x1,5- M16x1-335 mm (-> 10/1996)							



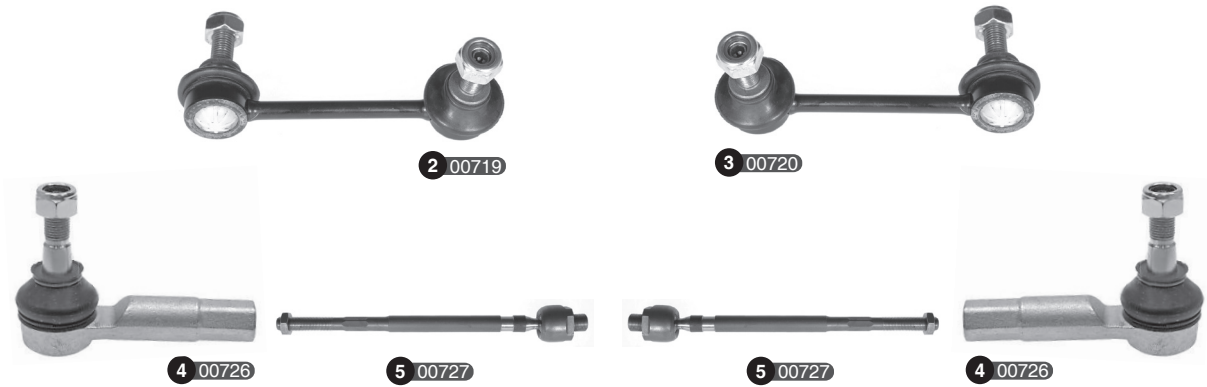
Ref	Old code	CODE	Description	OE - Number	OE - Number	FEATURES	Ref	Old code	CODE	Description	OE - Number	OE - Number	FEATURES
1	-	02686	Stabilizer link	NA0134170	-	FRONT/REAR	3	-	02687	Axial joint	NA0132240	-	M12x1,25- M18x1,5-301 mm
2	-	02688	Tie rod end	8AN132280	-	-	4	-	02689	Ball joint	NA0134550	NA0134550A	Lower



Ref	Old code	CODE	Description	OE - Number	OE - Number	FEATURES	Ref	Old code	CODE	Description	OE - Number	OE - Number	FEATURES	
1	-	02692	Stabilizer link-L	NC1034170	-	FRONT	7	-	02691	Axial joint-R	NC1032240	NC1032240A	M12x1,25- M16x1-303 mm	
2	-	02693	Stabilizer link-R	NC1034150	-	FRONT		8	-	02689	Ball joint	NA0134550	NA0134550B	Lower
3	-	06276	Stabilizer link-L	F15134150 Part of	-	REAR			9	-	06278	Ball joint	N06634200 Part of	N06634250 Part of
4	-	06277	Stabilizer link-R	F15134170 Part of	-	REAR	5	-		02688	Tie rod end	8AN132280	-	-
5	-	02688	Tie rod end	8AN132280	-	-		6		-	02690	Axial joint-L	NC1032250	NC1032250A
6	-	02690	Axial joint-L	NC1032250	NC1032250A	M12x1,25- M16x1-303 mm								



Ref	Old code	CODE	Description	OE - Number	OE - Number	FEATURES	Ref	Old code	CODE	Description	OE - Number	OE - Number	FEATURES
1	-	03605	Stabilizer link	F15128170	-	M10x1,25-85,50 mm (REAR)	3	MZD03-R	00720	Stabilizer link-R	L20634150A	F15134150	M10x1,25-104 mm (FRONT)
2	MZD03-L	00719	Stabilizer link-L	3410592	F15134170	M10x1,25-104 mm (FRONT)	4	-	06279	Tie rod end	NE5132280A	-	-
							5	-	06280	Axial joint	NE5132240	-	-



Ref	Old code	CODE	Description	OE - Number	OE - Number	FEATURES	Ref	Old code	CODE	Description	OE - Number	OE - Number	FEATURES
1	MZD04	00721	Stabilizer link	3799085	GA2B28170B	M10x1,25-87 mm (REAR)	4	MZD09	00726	Tie rod end	3405915	8AG332280	-
2	MZD03-L	00719	Stabilizer link-L	3410592	F15134170	M10x1,25-104 mm (FRONT)	5	MZD10	00727	Axial joint	GA2A32250	F32Z3280A	M14x1,5- M18x1,5-300 mm
3	MZD03-R	00720	Stabilizer link-R	3410591	F15134150	M10x1,25-104 mm (FRONT)	6	MZD11	00728	Ball joint	G03099356	GE4T34300E	18



Ref	Old code	CODE	Description	OE - Number	OE - Number	FEATURES	Ref	Old code	CODE	Description	OE - Number	OE - Number	FEATURES
1	MZD02	00718	Stabilizer link	B026R34170	-	M10x1,25-190 mm (FRONT)(-> 07/2000)	4	-	01844	Stabilizer link	B30H28170B	-	M10x1,25-160 mm (REAR)(11/2000 ->)
2	MZD12	00729	Stabilizer link	B26R28170	M26R28170	M10x1,25-190 mm (REAR)(-> 10/2000)	5	MZD09	00726	Tie rod end	3405915	8AG332280	-
3	-	01683	Stabilizer link	5174185AB	5174185AC	M10x1,5-265 mm (08/2000 ->)	6	-	01591	Axial joint	B25D32250	B25D32240	M14x1,5- M16x1-310 mm
							7	-	06289	Ball joint	C10034300B Part of	C10035350B Part of	-



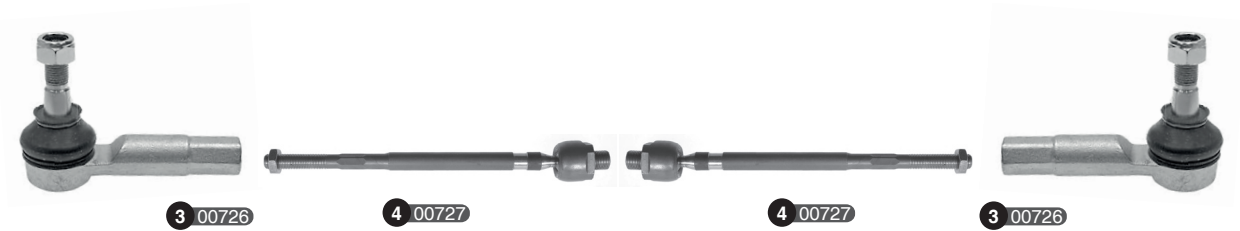
Ref	Old code	CODE	Description	OE - Number	OE - Number	FEATURES	Ref	Old code	CODE	Description	OE - Number	OE - Number	FEATURES
1	MZD05	00722	Tie rod end	8AB232280	-	M12x1,25-Female-M12x1,25-74 mm(FD)	2	MZD38	00739	Axial joint	3250825	S08332115	M14x1,5-M17x1-183 mm (FC)
							3	-	06290	Ball joint	853199356	-	FC





Ref	Old code	CODE	Description	OE - Number	OE - Number	FEATURES
1	-	03607	Stabilizer link	YL8Z5K483AA	EC0134150A	M10x1,25-250 mm





Ref	Old code	CODE	Description	OE - Number	OE - Number	FEATURES	Ref	Old code	CODE	Description	OE - Number	OE - Number	FEATURES
1	MZD03-L	00719	Stabilizer link-L	3410592	F15134170	M10x1,25-104 mm (FRONT)	4	MZD10	00727	Axial joint	GA2A32250	GA2A32240A	M14x1,5- M18x1,5-300 mm
2	MZD03-R	00720	Stabilizer link-R	3410591	F15134150	M10x1,25-104 mm (FRONT)							
3	MZD09	00726	Tie rod end	3405915	8AG332280	-	5	MZD11	00728	Ball joint	GE4T34300E	GE4T34350E	18