

 **Orjin Automotive**

**KIA**



Ref	Old code	CODE	Description	OE - Number	OE - Number	FEATURES	Ref	Old code	CODE	Description	OE - Number	OE - Number	FEATURES
1	KIA014	00618	TIE ROD END	S08332240A	S08399324	Ø16 - 158	4	HD065-R	00550	CONTROL ARM-RH (UPPER) (COMPLETE)	OS08334200	OS08334200B	Ø20 - 217
2	MZD38	00739	AXIAL JOINT	3250825	S08332115	- 183	5	KIA002	00615	BALL JOINT (UPPER)	OK71034540	3252249	Ø20,1 -
3	HD065-L	00549	CONTROL ARM-LH (UPPER) (COMPLETE)	OS08334250	OS08334250B	Ø20 - 217	6	MZD20	00732	BALL JOINT (LOWER)	3252250	S08399356	-



Ref	Old code	CODE	Description	OE - Number	OE - Number	FEATURES	Ref	Old code	CODE	Description	OE - Number	OE - Number	FEATURES
1	-	02973	STABILIZER LINK-LH	0K2N134170A	-	- 273,5±1	4	-	02643	AXIAL JOINT	0K2A232240	-	-
2	-	02974	STABILIZER LINK-RH	0K2N134150A	-	- 273,5±1	5	-	02641	BALL JOINT (LOWER)	0K2A134550A	0K2FA34550	-
3	KIA015	00619	TIE ROD END	0K20132280	0K20132280A	Ø14,4 - 107							



Ref	Old code	CODE	Description	OE - Number	OE - Number	FEATURES	Ref	Old code	CODE	Description	OE - Number	OE - Number	FEATURES
1	-	02639	STABILIZER LINK	OK2A134150B	OK2M228150	- 90,5	7	-	07275	CONTROL ARM-LH (LOWER) (COMPLETE)	OK2FA34350	-	-
2	-	07292	STABILIZER LINK-LH	OK2FA34170	-	-	8	-	07276	CONTROL ARM-RH (LOWER) (COMPLETE)	OK2FA34300	-	-
3	-	07293	STABILIZER LINK-RH	OK2FA34150	-	-	9	-	07277	BUSHING	OK2C034460	-	-
4	KIA015	00619	TIE ROD END	OK20132280	OK20132280A	Ø14,4 - 107	10	-	07278	BUSHING-LH	OK2A13446Y	-	-
5	-	07274	AXIAL JOINT	OK2FK32240	-	-	11	-	07279	BUSHING-RH	OK2A13446X	-	-
6	-	02641	BALL JOINT (LOWER)	OK2A134550A	OK2FA34550	-							





Ref	Old code	CODE	Description	OE - Number	OE - Number	FEATURES	Ref	Old code	CODE	Description	OE - Number	OE - Number	FEATURES
1	-	07280	STABILIZER LINK	548302G000	-	-	9	-	07286	CONTROL ARM-LH (LOWER) (W/O B.J - WITH BUSHING)	545001D000	-	-
2	-	07190	STABILIZER LINK (REAR)	555301D000	555302G500	-	10	-	07287	CONTROL ARM-RH (LOWER) (W/O B.J - WITH BUSHING)	545011D000	-	-
3	-	07281	TIE ROD END-LH	568202G000	-	-	11	-	07288	BUSHING	545841D000	-	-
4	-	07282	TIE ROD END-RH	568202G900	-	-	12	-	07289	BUSHING	545511D000	-	-
5	-	07283	AXIAL JOINT	577242G000	577242G010	-	13	-	07849	AXIAL JOINT LH	577241D010	-	-
6	-	01913	BALL JOINT (LOWER)	517600Q000	517602G000	-	14	-	07850	AXIAL JOINT RH	577241D000	-	-
7	-	07284	CONTROL ARM-LH (LOWER) (COMPLETE)	545001D000	-	-							
8	-	07285	CONTROL ARM-RH (LOWER) (COMPLETE)	545011D000	-	-							



Ref	Old code	CODE	Description	OE - Number	OE - Number	FEATURES	Ref	Old code	CODE	Description	OE - Number	OE - Number	FEATURES
1	-	07294	STABILIZER LINK-LH	54530A4100	54830A4000	-	9	-	07297	CONTROL ARM-LH (LOWER) (COMPLETE)	54500A4000	-	-
2	-	07295	STABILIZER LINK-RH	54840A4000	54840A4100	-	10	-	07298	CONTROL ARM-RH (LOWER) (COMPLETE)	54501A4000	881626	-
3	-	03654	TIE ROD END-LH	568202S000	568202T000	Ø15 - 232	11	-	07299	CONTROL ARM-LH (LOWER) (W/O B.J - WITH BUSHING)	54500A4000	-	-
4	-	03655	TIE ROD END-RH	568202S050	568202T100	Ø15 - 232	12	-	07300	CONTROL ARM-RH (LOWER) (W/O B.J - WITH BUSHING)	54501A4000	881626	PART OF
5	-	07296	AXIAL JOINT	57724A4000	-	-							
6	-	03651	BUSHING	545842S000	-	Ø14,2 - 60							
7	-	04495	BALL JOINT (LOWER)	545302P100	545302T010	-							
8	-	07264	BUSHING	54551A4000	-	-							



Ref	Old code	CODE	Description	OE - Number	OE - Number	FEATURES	Ref	Old code	CODE	Description	OE - Number	OE - Number	FEATURES
1	-	03373	STABILIZER LINK	OK55234150B	OK55234151B	- 63	5	-	07257	AXIAL JOINT	OK55232250B	OK55232270A	-
2	-	07254	TIE ROD END-LH	OK55232240	-	-	6	-	07258	TRACK CONTROL ARM-LH	OK55234350B	OK55234350C	-
3	-	07255	TIE ROD END-RH	OK55232280	-	-	7	-	07259	TRACK CONTROL ARM-RH	OK55234300B	OK55234300C	-
4	-	02356	AXIAL JOINT	OK55232250	OK55232250A	-							



Ref	Old code	CODE	Description	OE - Number	OE - Number	FEATURES	Ref	Old code	CODE	Description	OE - Number	OE - Number	FEATURES
1	-	03355	STABILIZER LINK (REAR)	555304D000	-	- 72	9	-	07269	CONTROL ARM-LH (LOWER) (COMPLETE)	545004D001	-	-
2	-	03371	STABILIZER LINK-LH	548304D000	-	-	10	-	07270	CONTROL ARM-RH (LOWER) (COMPLETE)	545014D001	-	-
3	-	03372	STABILIZER LINK-RH	548404D000	-	-	11	-	07271	CONTROL ARM-LH (LOWER) (W/O B.J - WITH BUSHING)	545004D001	-	-
4	-	07265	TIE ROD END-LH	568204D000	568204D001	-	12	-	07272	CONTROL ARM-RH (LOWER) (W/O B.J - WITH BUSHING)	545014D001	-	-
5	-	07266	TIE ROD END-RH	568204D100	568204D101	-	13	-	07273	BUSHING	545514D000	545514D001	-
6	-	07267	AXIAL JOINT	577244D000	-	-							
7	-	02796	BUSHING	545842E000	545844D000	Ø14.4 - 60							
8	-	07268	BALL JOINT (LOWER)	545304D000	-	-							



KIA CEED (ED) (12/2006 - 05/2012)  
KIA CEED SW (ED) (09/2007 - 09/2012)  
KIA PRO CEED (ED) (02/2008 - 03/2013)





Ref	Old code	CODE	Description	OE – Number	OE – Number	FEATURES	Ref	Old code	CODE	Description	OE – Number	OE – Number	FEATURES
1	-	02562	STABILIZER LINK	548302H000	548302H100	- 243,5	8	-	02210	CONTROL ARM-RH (LOWER) (COMPLETE)	545012H000	-	-
2	-	02563	STABILIZER LINK	555301H000	555301H100	- 170	9	-	02532	BUSHING	545512H000	-	-
3	-	01916	TIE ROD END-RH	568202H090	-	- 230	10	-	02592	BUSHING	545842H000	-	-
4	-	01917	TIE ROD END-LH	568202H000	-	- 230	11	-	03312	BUSHING	4S4Z5A638AC	552561H000	Ø12,1 - 35
5	-	02561	AXIAL JOINT	565402H000	-	-	12	-	07062	TRACK ROD (REAR)	552501H000	552502H000	-
6	-	01913	BALL JOINT (LOWER)	517600Q000	517602G000	-	13	-	07137	BALL JOINT (LOWER)	517602R000	-	-
7	-	02209	CONTROL ARM-LH (LOWER) (COMPLETE)	545002H000	-	-							







KIA CEED (JD) (05/2012-->)  
KIA CEED SW (JD) (09/2012-->)  
KIA PRO CEED (JD) (03/2013-->)



-->05/2014

-->05/2014



03/2013 -->

03/2013 -->





Ref	Old code	CODE	Description	OE - Number	OE - Number	FEATURES	Ref	Old code	CODE	Description	OE - Number	OE - Number	FEATURES
1	-	02843	STABILIZER LINK	548300U000	548302S500	- 282±1	9	-	04493	BUSHING	545513X000	-	-
2	-	07116	STABILIZER LINK	548300U000	548302S500	- 282	10	-	04494	BUSHING	54584A2100	54584A6000	-
3	-	03658	STABILIZER LINK (REAR)	555302Z000	555303R000	- 88	11	-	04495	BALL JOINT (LOWER)	545302P100	545302T010	-
4	-	04485	TIE ROD END-LH	568203X000	56820A5000	-	12	-	04498	TRACK ROD (WITH BALL JOINT)	55250A6000	-	-
5	-	04486	TIE ROD END-RH	568203X090	56820A5090	-	13	-	04499	BUSHING	55256A6000	-	-
6	-	04487	AXIAL JOINT	56540A6000	-	-	14	-	04500	TRACK ROD (REAR)	55100A6000	-	-
7	-	04489	CONTROL ARM-LH (LOWER) (COMPLETE)	54500A6200	-	-	15	-	04501	BUSHING	551183R000	-	-
8	-	04490	CONTROL ARM-RH (LOWER) (COMPLETE)	54501A6200	-	-	16	-	07290	CONTROL ARM-LH (LOWER) (COMPLETE)	54500A2600	-	-
							17	-	07291	CONTROL ARM-RH (LOWER) (COMPLETE)	54501A2600	-	-





Ref	Old code	CODE	Description	OE - Number	OE - Number	FEATURES	Ref	Old code	CODE	Description	OE - Number	OE - Number	FEATURES
1	-	01793	STABILIZER LINK (REAR)	5553017000	5553017010	- 129	8	-	07335	CONTROL ARM-LH (LOWER) (COMPLETE)	545002F000	545002F001	-
2	-	02631	STABILIZER LINK-LH	548302F000	-	- 249	9	-	07336	CONTROL ARM-RH (LOWER) (COMPLETE)	545012F000	545012F001	-
3	-	02632	STABILIZER LINK-RH	548402F000	-	- 249	10	-	07337	CONTROL ARM-LH (LOWER) (W/O B.J - WITH BUSHING)	545002F000	545002F001	-
4	-	07056	TIE ROD END	5682025000	-	-	11	-	07338	CONTROL ARM-RH (LOWER) (W/O B.J - WITH BUSHING)	545012F000	545012F001	-
5	-	01629	AXIAL JOINT	577242D000	577242D020	-	12	-	07339	BUSHING	545002F000	545002F001	-
6	HD022	00516	BALL JOINT (LOWER)	5450322000	5450322A00	Ø17 -							
7	-	07080	BUSHING	5458417000	-	-							



Ref	Old code	CODE	Description	OE - Number	OE - Number	FEATURES	Ref	Old code	CODE	Description	OE - Number	OE - Number	FEATURES
1	MZD03-L	00719	STABILIZER LINK-LH	3410592	F15134170	- 104	4	KIA009	00617	AXIAL JOINT	0K2A132240	0K9A232240	- 284
2	MZD03-R	00720	STABILIZER LINK-RH	3410591	F15134150	- 104	5	MZD11	00728	BALL JOINT (LOWER)	0G03034550B	G03099356	Ø18 -
3	KIA015	00619	TIE ROD END	0K20132280	0K20132280A	Ø14,4 - 107							



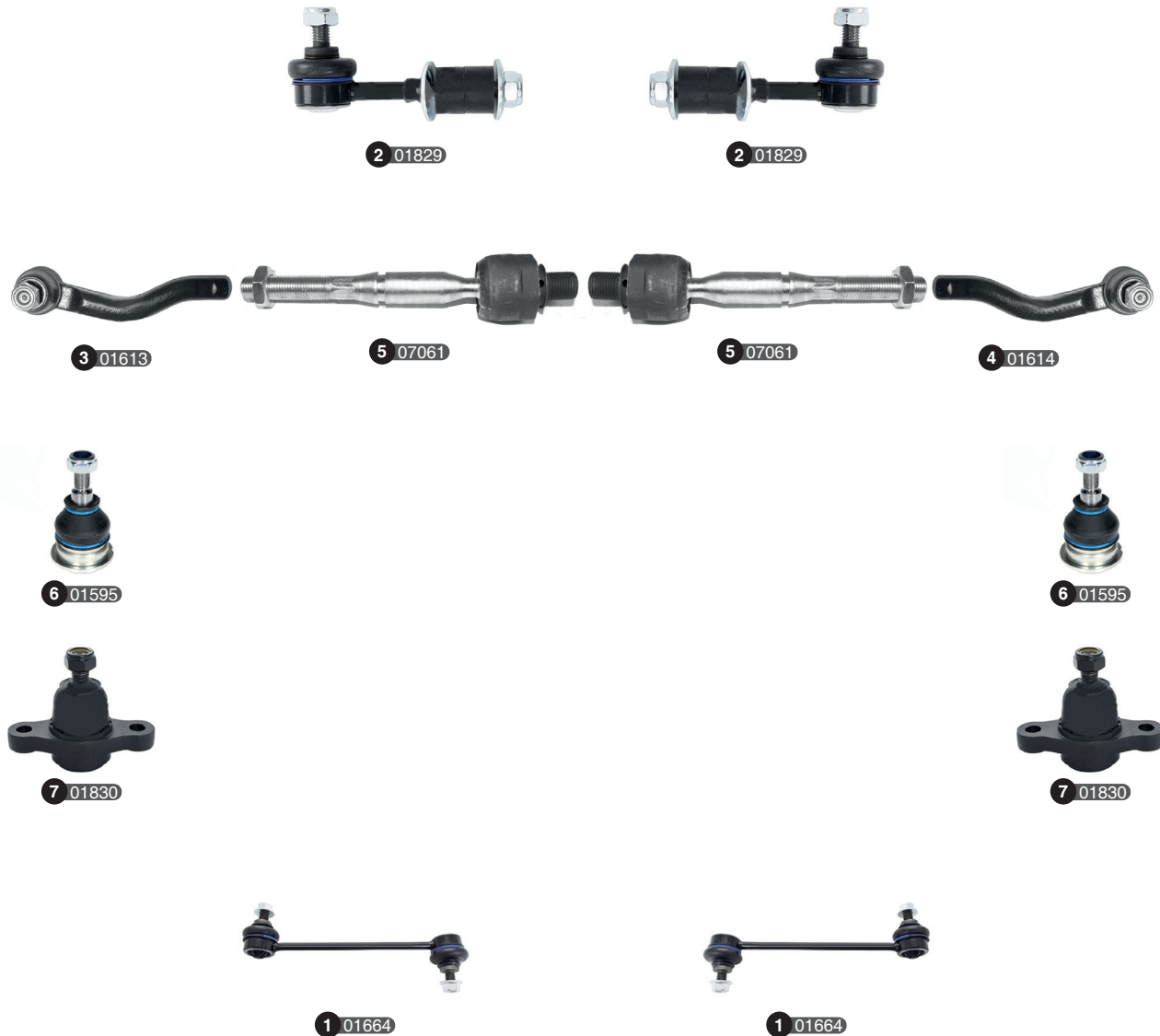
1 00549



2 00550



Ref	Old code	CODE	Description	OE - Number	OE - Number	FEATURES	Ref	Old code	CODE	Description	OE - Number	OE - Number	FEATURES
1	HD065-L	00549	CONTROL ARM-LH (UPPER) (COMPLETE)	0S08334250	0S08334250B	Ø20 - 217	2	HD065-R	00550	CONTROL ARM-RH (UPPER) (COMPLETE)	0S08334200	0S08334200B	Ø20 - 217



Ref	Old code	CODE	Description	OE - Number	OE - Number	FEATURES	Ref	Old code	CODE	Description	OE - Number	OE - Number	FEATURES
1	-	01664	STABILIZER LINK (REAR)	5553038600	-	- 194	5	-	07061	AXIAL JOINT	5772438010	-	-
2	-	01829	STABILIZER LINK	5483038110	-	-	6	-	01595	BALL JOINT (UPPER)	5440338A00	544303K000	-
3	-	01613	TIE ROD END-RH	5682038900	5778038010	-	7	-	01830	BALL JOINT (LOWER)	5176038000	-	-
4	-	01614	TIE ROD END-LH	5682038000	5778038000	-							



Ref	Old code	CODE	Description	OE - Number	OE - Number	FEATURES	Ref	Old code	CODE	Description	OE - Number	OE - Number	FEATURES
1	KIA009	00617	AXIAL JOINT	0K2A132240	0K9A232240	- 284	2	KIA015	00619	TIE ROD END	0K20132280	0K20132280A	Ø14,4 - 107



Ref	Old code	CODE	Description	OE - Number	OE - Number	FEATURES	Ref	Old code	CODE	Description	OE - Number	OE - Number	FEATURES
1	-	06898	STABILIZER LINK	54830F2000	-	-	6	-	04493	BUSHING	545513X000	-	-
2	-	07158	STABILIZER LINK (REAR)	55530G2000	-	-	7	-	07155	CONTROL ARM-LH (LOWER) (COMPLETE)	54500G2100	-	-
3	-	07153	TIE ROD END-LH	56820G2000	-	-	8	-	07156	CONTROL ARM-RH (LOWER) (COMPLETE)	54501G2100	-	-
4	-	07154	TIE ROD END-RH	56825G2000	-	-	9	-	07157	BUSHING	54584G2000	-	-
5	-	06893	AXIAL JOINT	56540F2000	-	-							

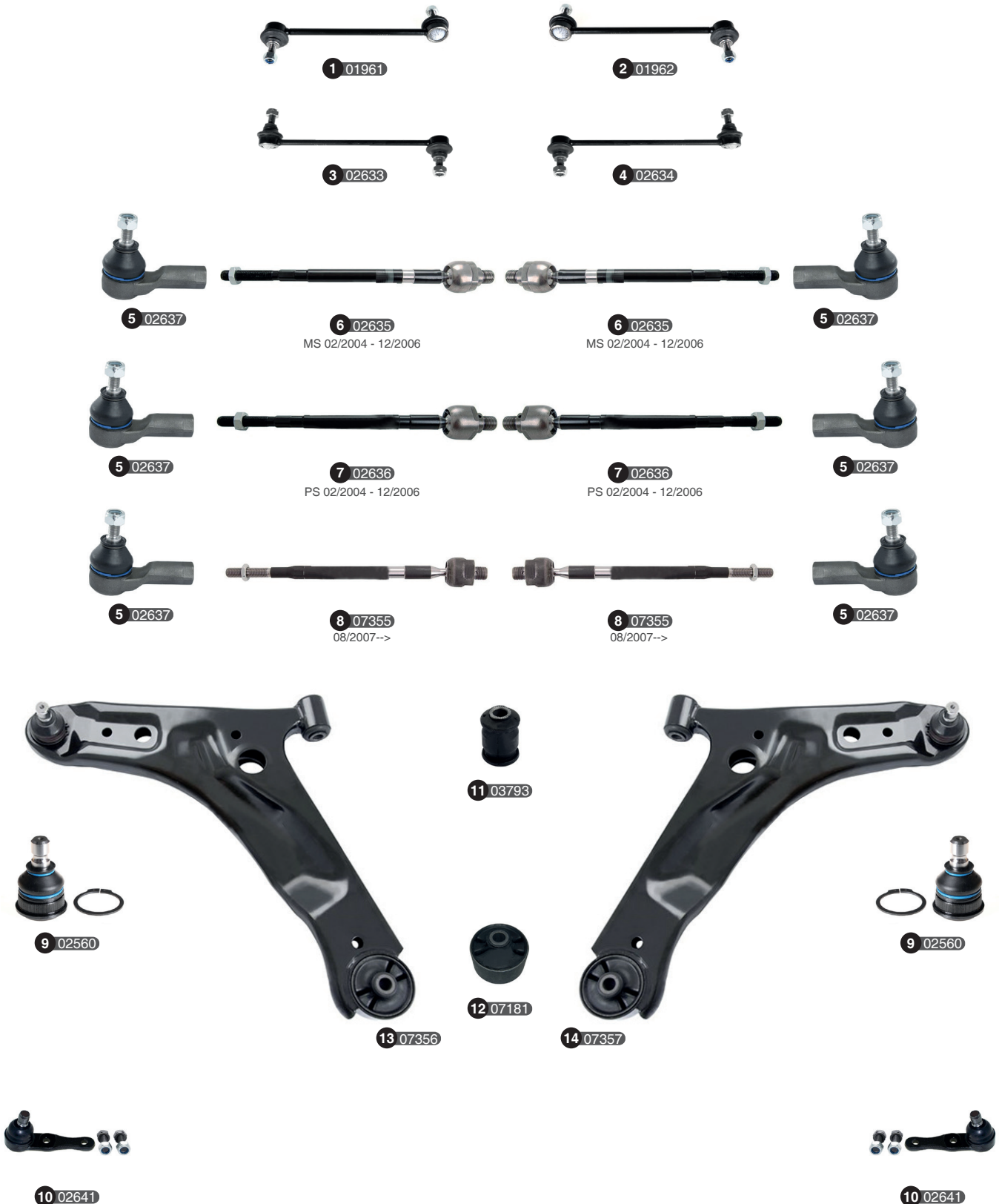




Ref	Old code	CODE	Description	OE – Number	OE – Number	FEATURES	Ref	Old code	CODE	Description	OE – Number	OE – Number	FEATURES
1	-	03774	STABILIZER LINK-LH	548302T000	-	- 351	8	-	04495	BALL JOINT (LOWER)	545302P100	545302T010	-
2	-	03775	STABILIZER LINK-RH	548402T000	-	- 351	9	-	04514	BUSHING	545842T000	545842W000	Ø14,2 - 70,3
3	-	03776	STABILIZER LINK	548303Q000	-	-	10	-	04515	BUSHING	545513R000	54551C5000	-
4	-	03658	STABILIZER LINK (REAR)	555302Z000	555303R000	- 88	11	-	07051	CONTROL ARM-LH (LOWER) (COMPLETE)	545002T010	545002T030	-
5	-	03654	TIE ROD END-LH	568202S000	568202T000	Ø15 - 232	12	-	07052	CONTROL ARM-RH (LOWER) (COMPLETE)	545012T010	545012T030	-
6	-	03655	TIE ROD END-RH	568202S050	568202T100	Ø15 - 232	13	-	07055	TRACK ROD (UPPER)	552503R000	-	-
7	-	04507	AXIAL JOINT	577242T500	577242W000	-							









Ref	Old code	CODE	Description	OE – Number	OE – Number	FEATURES	Ref	Old code	CODE	Description	OE – Number	OE – Number	FEATURES
1	-	01961	STABILIZER LINK-LH	5483007000	548300X000	- 230	8	-	07355	AXIAL JOINT	5654007600	-	-
2	-	01962	STABILIZER LINK-RH	5484007000	548400X000	- 230	9	-	02560	BALL JOINT (LOWER)	5453007000	-	-
3	-	02633	STABILIZER LINK-LH	5483007000 PART OF	548300X000 PART OF	- 230	10	-	02641	BALL JOINT (LOWER)	0K2A134550A	0K2FA34550	-
4	-	02634	STABILIZER LINK-RH	5484007000 PART OF	548400X000 PART OF	- 230	11	-	03793	BUSHING	5455107000	-	-
5	-	02637	TIE ROD END	5682007000	MDX5032280	-	12	-	07181	BUSHING	5458407000	545840X000	-
6	-	02635	AXIAL JOINT	5772407100	-	-	13	-	07356	CONTROL ARM-LH (LOWER) (COMPLETE)	5450007100	5450007200	-
7	-	02636	AXIAL JOINT	5772407000	-	-	14	-	07357	CONTROL ARM-RH (LOWER) (COMPLETE)	5450107100	5450107200	-

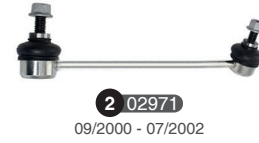
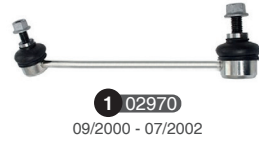




Ref	Old code	CODE	Description	OE - Number	OE - Number	FEATURES	Ref	Old code	CODE	Description	OE - Number	OE - Number	FEATURES
1	-	01963	STABILIZER LINK-LH	548301J000	-	- 216	8	-	07360	AXIAL JOINT	577241Y000	-	-
2	-	01964	STABILIZER LINK-RH	548401J000	-	- 216	9	-	03792	BALL JOINT (LOWER)	545302K000	-	-
3	-	07358	TIE ROD END-LH	568201Y000	-	-	10	-	05966	BUSHING	545511J000	-	-
4	-	07359	TIE ROD END-RH	568201Y050	-	-	11	-	05967	BUSHING	545841J000	545843Z000	-
5	-	07361	TIE ROD END-LH	568201Y500	568201Y501	-	12	-	07364	CONTROL ARM-LH (LOWER) (COMPLETE)	545001Y000	545001Y100	-
6	-	07362	TIE ROD END-RH	568201Y550	568201Y551	-	13	-	07365	CONTROL ARM-RH (LOWER) (COMPLETE)	545011Y000	545011Y100	-
7	-	07363	AXIAL JOINT	577241Y500	577241Y501	-							



Ref	Old code	CODE	Description	OE - Number	OE - Number	FEATURES	Ref	Old code	CODE	Description	OE - Number	OE - Number	FEATURES
1	MZD40	00740	Tie rod end	8AB132280	KB09232280	-	2	-	01490	Axial joint	D0013224X	KK15032240	M12x1,25- M16x1,5-266 mm



Ref	Old code	CODE	Description	OE - Number	OE - Number	FEATURES	Ref	Old code	CODE	Description	OE - Number	OE - Number	FEATURES
1	-	02970	STABILIZER LINK-LH	0K33C34160A	-	- 241±1	5	-	02637	TIE ROD END	5682007000	MDX5032280	-
2	-	02971	STABILIZER LINK-RH	0K33C34150A	-	- 241±1	6	-	02972	AXIAL JOINT	KDX5332240A	KDX5332240B	- 279
3	-	03356	STABILIZER LINK-LH	54820FD000	-	- 218,4	7	-	07350	AXIAL JOINT	KDX5032240A	KDX5032240B	-
4	-	03357	STABILIZER LINK-RH	54830FD000	-	- 218,4							



Ref	Old code	CODE	Description	OE - Number	OE - Number	FEATURES	Ref	Old code	CODE	Description	OE - Number	OE - Number	FEATURES
1	HD083-L	00567	STABILIZER LINK-LH	548301E000	548301G000	- 285	8	-	02915	BUSHING	545841G000	545841P000	Ø14,1 - 59,9
2	HD083-R	00568	STABILIZER LINK-RH	548401E100	548401G000	- 285	9	-	02916	BUSHING	545512K000	-	Ø12,3 - 54
3	-	07329	TIE ROD END-LH	568201G900	-	-	10	-	02917	CONTROL ARM-LH (LOWER) (COMPLETE)	545001E100	-	-
4	-	07330	TIE ROD END-RH	568201G000	-	-							
5	-	03610	AXIAL JOINT-LH	577241G000	-	- 185							
6	-	02357	AXIAL JOINT-RH	577241G100	-	-	11	-	02918	CONTROL ARM-RH (LOWER) (COMPLETE)	545011E100	-	-
7	HD081	00565	BALL JOINT (LOWER)	517601G000	-	Ø16,8 -	12	-	04801	CLUTCH LINK	4143023000	-	- 204,5



Ref	Old code	CODE	Description	OE - Number	OE - Number	FEATURES	Ref	Old code	CODE	Description	OE - Number	OE - Number	FEATURES
1	-	02843	STABILIZER LINK	548300U000	548302S500	- 282±1	6	-	03792	BALL JOINT (LOWER)	545302K000	-	-
2	-	07116	STABILIZER LINK	548300U000 PART OF	548302S500 PART OF	- 282	7	-	05962	CONTROL ARM-LH (LOWER) (COMPLETE)	545001W000	-	-
3	-	02844	TIE ROD END-LH	568200U500	568201R501	Ø15 - 202	8	-	05963	CONTROL ARM-RH (LOWER) (COMPLETE)	545011W000	-	-
4	-	02845	TIE ROD END-RH	568200U590	568201R591	Ø15 - 203	9	-	05966	BUSHING	545511J000	-	-
5	-	02846	AXIAL JOINT	565400U000	565400U500	- 217.5	10	-	05967	BUSHING	545841J000	545843Z000	-





Ref	Old code	CODE	Description	OE - Number	OE - Number	FEATURES	Ref	Old code	CODE	Description	OE - Number	OE - Number	FEATURES
1	-	02843	STABILIZER LINK	548300U000	548302S500	- 282±1	6	HD022	00516	BALL JOINT (LOWER)	5450322000	5450322A00	Ø17 -
2	-	07057	TIE ROD END-LH	568204L000	-	-	7	-	02839	CONTROL ARM-LH (LOWER) (COMPLETE)	545001R000	545004L000	Ø17 - 341
3	-	07058	TIE ROD END-RH	568204L090	-	-	8	-	02840	CONTROL ARM-RH (LOWER) (COMPLETE)	545011R000	545014L000	Ø17 - 341
4	-	07059	AXIAL JOINT-LH	577244L000	-	-	9	-	03523	BUSHING	545511R000	545514L000	Ø12,2 - 54
5	-	07060	AXIAL JOINT-RH	577244L090	-	-	10	-	03524	BUSHING	545843X000	-	Ø14,4 - 60





Ref	Old code	CODE	Description	OE - Number	OE - Number	FEATURES	Ref	Old code	CODE	Description	OE - Number	OE - Number	FEATURES
1	-	02639	STABILIZER LINK (REAR)	OK2A134150B	OK2M228150	- 90,5	9	-	07279	BUSHING-RH	OK2A13446X	-	-
2	-	02973	STABILIZER LINK-LH	OK2N134170A	-	- 273,5±1	10	-	07331	CONTROL ARM-LH (LOWER) (COMPLETE)	OK2NA34350B	-	-
3	-	02974	STABILIZER LINK-RH	OK2N134150A	-	- 273,5±1	11	-	07332	CONTROL ARM-RH (LOWER) (COMPLETE)	OK2NA34300B	-	-
4	KIA015	00619	TIE ROD END	OK20132280	OK20132280A	Ø14,4 - 107	12	-	07333	CONTROL ARM-LH (LOWER) (W/O B.J - WITH BUSHING)	OK2NA34350B PART OF	-	-
5	KIA009	00617	AXIAL JOINT	OK2A132240	OK9A232240	- 284	13	-	07334	CONTROL ARM-RH (LOWER) (W/O B.J - WITH BUSHING)	OK2NA34300B PART OF	-	-
6	-	02641	BALL JOINT (LOWER)	OK2A134550A	OK2FA34550	-							
7	-	07277	BUSHING	OK2C034460	-	-							
8	-	07278	BUSHING-LH	OK2A13446Y	-	-							



2 02640

10/1997 - 01/1999



2 02640

10/1997 - 01/1999



3 02973

02/1999 - 12/2001



4 02974

02/1999 - 12/2001



5 00619



5 00619



6 02641



6 02641



1 02639



1 02639



Ref	Old code	CODE	Description	OE - Number	OE - Number	FEATURES	Ref	Old code	CODE	Description	OE - Number	OE - Number	FEATURES
1	-	02639	STABILIZER LINK (REAR)	OK2A134150B	OK2M228150	- 90,5	4	-	02974	STABILIZER LINK-RH	OK2N134150A	-	- 273,5±1
2	-	02640	STABILIZER LINK	OK2A534150A	OK2A534150B	-	5	KIA015	00619	TIE ROD END	OK20132280	OK20132280A	Ø14,4 - 107
3	-	02973	STABILIZER LINK-LH	OK2N134170A	-	- 273,5±1	6	-	02641	BALL JOINT (LOWER)	OK2A134550A	OK2FA34550	-



Ref	Old code	CODE	Description	OE - Number	OE - Number	FEATURES	Ref	Old code	CODE	Description	OE - Number	OE - Number	FEATURES
1	-	02639	STABILIZER LINK (REAR)	OK2A134150B	OK2M228150	- 90,5	9	-	07279	BUSHING-RH	OK2A13446X	-	-
2	-	02973	STABILIZER LINK-LH	OK2N134170A	-	- 273,5±1	10	-	07331	CONTROL ARM-LH (LOWER) (COMPLETE)	OK2NA34350B	-	-
3	-	02974	STABILIZER LINK-RH	OK2N134150A	-	- 273,5±1	11	-	07332	CONTROL ARM-RH (LOWER) (COMPLETE)	OK2NA34300B	-	-
4	KIA015	00619	TIE ROD END	OK20132280	OK20132280A	Ø14,4 - 107	12	-	07333	CONTROL ARM-LH (LOWER) (W/O B.J - WITH BUSHING)	OK2NA34350B	PART OF	-
5	KIA009	00617	AXIAL JOINT	OK2A132240	OK9A232240	- 284	13	-	07334	CONTROL ARM-RH (LOWER) (W/O B.J - WITH BUSHING)	OK2NA34300B	PART OF	-
6	-	02641	BALL JOINT (LOWER)	OK2A134550A	OK2FA34550	-							
7	-	07277	BUSHING	OK2C034460	-	-							
8	-	07278	BUSHING-LH	OK2A13446Y	-	-							



**1 02354**  
03/2004 - 09/2006



**2 02355**  
03/2004 - 09/2006



**3 02655**  
08/2002 - 02/2004



**3 02655**  
08/2002 - 02/2004



**6 02650**



**8 02652**



**9 02653**



**7 02651**



**17 07301**  
08/2002 - 09/2006



**18 07302**  
08/2002 - 09/2006



**10 02654**  
(M12)

**14 02981**  
08/2002 - 09/2002



**15 02982**  
08/2002 - 09/2002



**10 02654**  
(M12)



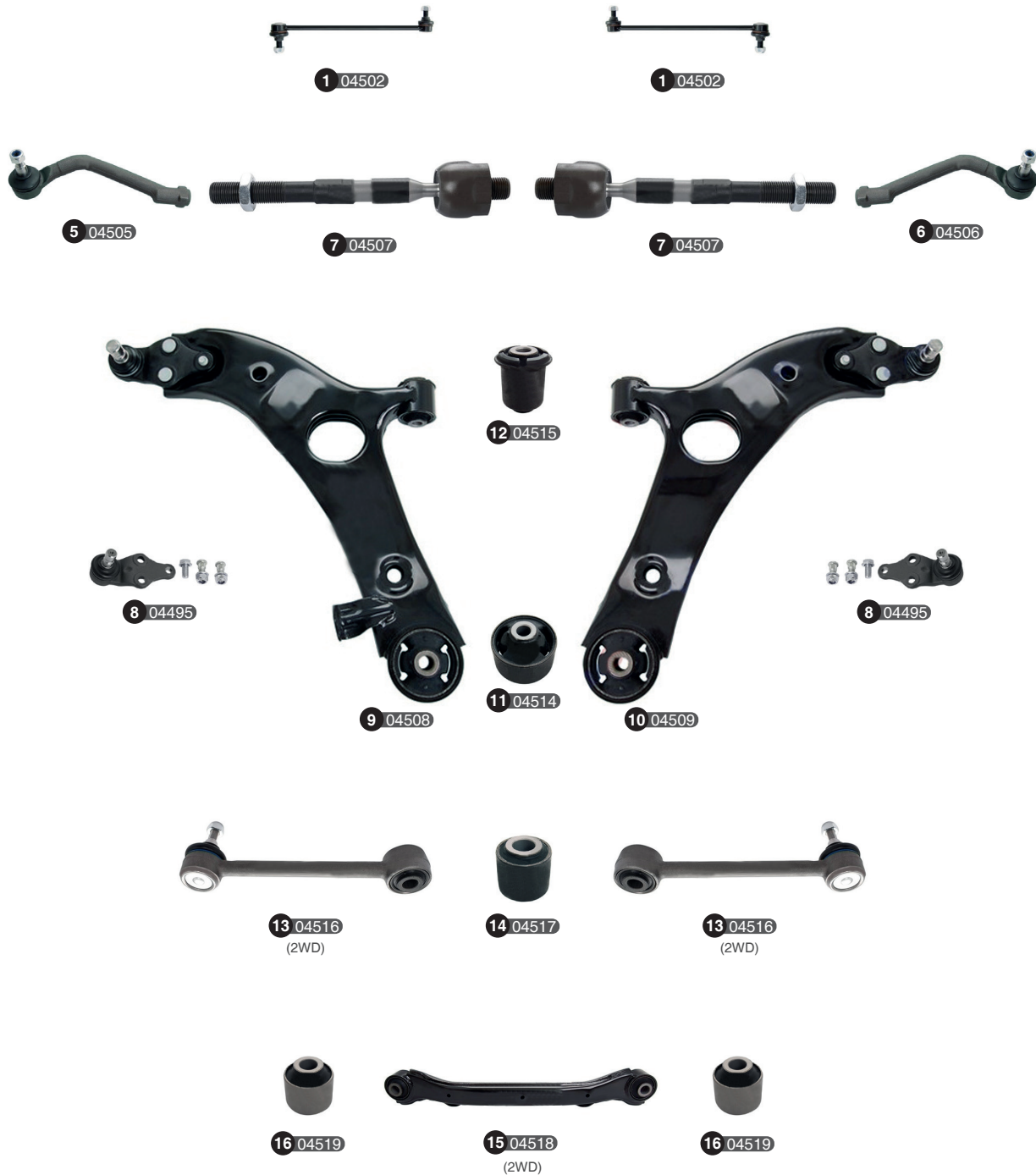


Ref	Old code	CODE	Description	OE - Number	OE - Number	FEATURES	Ref	Old code	CODE	Description	OE - Number	OE - Number	FEATURES
1		02354	STABILIZER LINK-LH	548113E010	-	- 84,5	11		02975	BALL JOINT (LOWER)	545703E001 PART OF	-	-
2		02355	STABILIZER LINK-RH	548113E060	-	- 84,5	12		02977	CONTROL ARM-LH (LOWER) (COMPLETE)	545103E001 + 545703E001	-	-
3		02655	STABILIZER LINK	548103E000	-	- 149,5	13		02978	CONTROL ARM-RH (LOWER) (COMPLETE)	545203E001 + 545703E001	-	-
4		02656	STABILIZER LINK-LH (REAR)	555803E000	-	- 120±1	14	-	02981	CONTROL ARM-LH (LOWER) (COMPLETE)	545103E000	545103E001	-
5		02657	STABILIZER LINK-RH (REAR)	555803E050	-	- 120±1	15	-	02982	CONTROL ARM-RH (LOWER) (COMPLETE)	545203E000	545203E001	-
6		02650	TIE ROD END-LH	568203E000	-	-	16	-	02985	BUSHING	545803E002	-	Ø18 - 69
7		02651	TIE ROD END-RH	568203E900	-	-	17	-	07301	CONTROL ARM-LH (UPPER) (COMPLETE)	544103E000	544103E001	-
8		02652	AXIAL JOINT-LH	577323E010	-	-	18	-	07302	CONTROL ARM-RH (UPPER) (COMPLETE)	544203E000	544203E001	-
9		02653	AXIAL JOINT-RH	577313E010	-	-							
10		02654	BALL JOINT (LOWER)	545703E000	545703E001	-							



Ref	Old code	CODE	Description	OE - Number	OE - Number	FEATURES	Ref	Old code	CODE	Description	OE - Number	OE - Number	FEATURES
1	-	02565	STABILIZER LINK-LH	548302B000	548302B200	- 341	9	-	04534	BUSHING	545842B000	-	-
2	-	02566	STABILIZER LINK-RH	548402B000	548402B200	- 341	10	-	04535	BUSHING	545502P000	545512B000	-
3	-	02567	STABILIZER LINK (REAR)	555302B000	555302B200	- 99	11	-	07306	CONTROL ARM-LH (LOWER) (COMPLETE)	545002P000	-	-
4	-	01914	TIE ROD END-LH	568202B000	568202P900	- 228.5	12	-	07307	CONTROL ARM-RH (LOWER) (COMPLETE)	545012P000	-	-
5	-	01915	TIE ROD END-RH	568202B900	568202P000	- 228.5	13	-	07308	CONTROL ARM-LH (LOWER) (W/O B.J - WITH BUSHING)	545002P000 PART OF	-	-
6	-	07304	AXIAL JOINT-LH	577242P100	-	-	14	-	07309	CONTROL ARM-RH (LOWER) (W/O B.J - WITH BUSHING)	545012P000 PART OF	-	-
7	-	07305	AXIAL JOINT-RH	577242P000	-	-							
8	-	01633	BALL JOINT (LOWER)	545303B000	-	-							







Ref	Old code	CODE	Description	OE - Number	OE - Number	FEATURES	Ref	Old code	CODE	Description	OE - Number	OE - Number	FEATURES
1	-	04502	STABILIZER LINK	548302W000	-	-	10	-	04509	CONTROL ARM-RH (LOWER) (COMPLETE)	545012P200	545012W200	-
2	-	04520	STABILIZER LINK (REAR)	555302W000	555402W000	-	11	-	04514	BUSHING	545842T000	545842W000	Ø14,2 - 70,3
3	-	04528	STABILIZER LINK-LH (REAR)	555302W110	-	-	12	-	04515	BUSHING	545513R000	54551C5000	-
4	-	04529	STABILIZER LINK-RH (REAR)	555402W110	-	-	13	-	04516	TRACK ROD (WITH BALL JOINT)	552502W000	-	-
5	-	04505	TIE ROD END-LH	568202W000	568202W500	-	14	-	04517	BUSHING	552532W000	-	-
6	-	04506	TIE ROD END-RH	568202W050	568202W550	-	15	-	04518	TRACK ROD (REAR)	551002S050	-	-
7	-	04507	AXIAL JOINT	577242T500	577242W000	-	16	-	04519	BUSHING	551182S000	552532W100	-
8	-	04495	BALL JOINT (LOWER)	545302P100	545302T010	-	17	-	04521	TRACK ROD (REAR)	552502W110	552502W650	-
9	-	04508	CONTROL ARM-LH (LOWER) (COMPLETE)	545002P200	545002P400	-	18	-	04522	TRACK ROD (REAR)	551002W100	551002W150	-
							19	-	04523	BUSHING	551182W100	-	-







Ref	Old code	CODE	Description	OE - Number	OE - Number	FEATURES	Ref	Old code	CODE	Description	OE - Number	OE - Number	FEATURES
1	-	06960	STABILIZER LINK	54830C5000	-	-	8	-	05961	BUSHING	54584C5000	54584C6000	-
2	-	06961	STABILIZER LINK (REAR)	55530C5000	55540C5000	- 116	9	-	07372	CONTROL ARM-LH (LOWER) (COMPLETE)	54500C5150	54500C6000	-
3	-	05805	TIE ROD END-LH	56820C1000	56820D7000	-	10	-	07373	CONTROL ARM-RH (LOWER) (COMPLETE)	54501C5150	54501C6000	-
4	-	05806	TIE ROD END-RH	56825C1090	56825D7000	-	11	-	07376	BALL JOINT (LOWER)	54530C5100	-	-
5	-	07370	AXIAL JOINT	57724C5000	57724C5500	-	12	-	07377	TRACK ROD (REAR)	55100C5050	-	-
6	-	07371	AXIAL JOINT	57724C5100	57724C5600	-	13	-	07717	TRACK ROD (REAR)	552502W650	55250C5050	-
7	-	04515	BUSHING	545513R000	54551C5000	-							

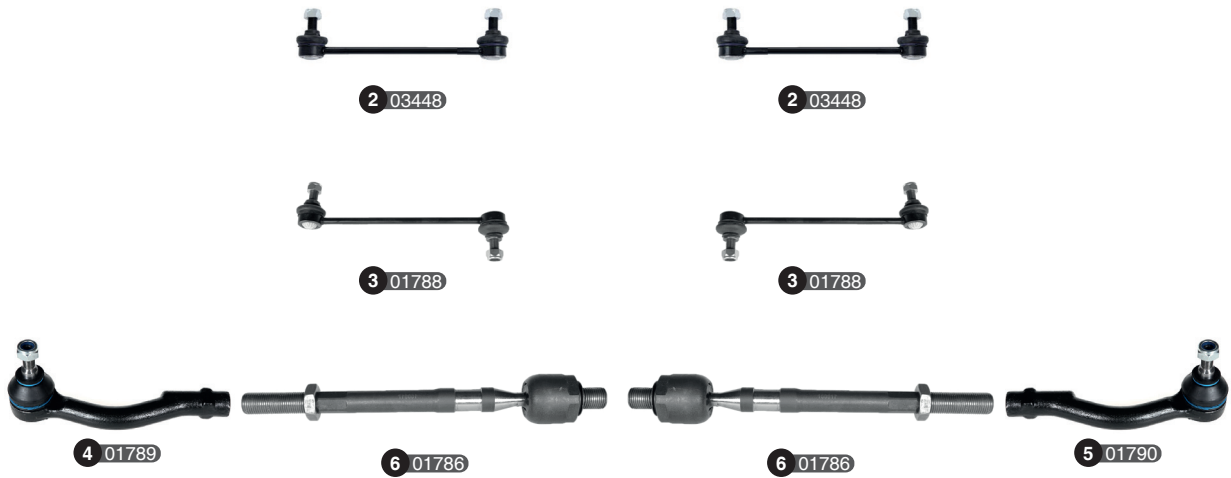


Ref	Old code	CODE	Description	OE – Number	OE – Number	FEATURES	Ref	Old code	CODE	Description	OE – Number	OE – Number	FEATURES
1	-	07320	STABILIZER LINK-LH	548302K000	-	-	10	-	07323	CONTROL ARM-RH (LOWER) (COMPLETE)	545012K300	545012K600	-
2	-	07321	STABILIZER LINK-RH	548402K000	-	-	11	-	07324	CONTROL ARM-LH (LOWER) (W/O B.J - WITH BUSHING)	545002K300 PART OF	545002K600 PART OF	-
3	-	02013	TIE ROD END-LH	568202K000	-	- 188							
4	-	02014	TIE ROD END-RH	568202K050	-	- 188	12	-	07325	CONTROL ARM-RH (LOWER) (W/O B.J - WITH BUSHING)	545012K300 PART OF	545012K600 PART OF	-
5	-	07138	AXIAL JOINT	565402K000	-	-							
6	-	02915	BUSHING	545841G000	545841P000	Ø14,1 - 59,9	13	-	07326	CONTROL ARM-LH (LOWER) (COMPLETE)	545002K200	545002K500	-
7	-	02916	BUSHING	545512K000	-	Ø12,3 - 54							
8	-	03792	BALL JOINT (LOWER)	545302K000	-	-	14	-	07327	CONTROL ARM-RH (LOWER) (COMPLETE)	545012K200	545012K500	-
9	-	07322	CONTROL ARM-LH (LOWER) (COMPLETE)	545002K300	545002K600	-							





Ref	Old code	CODE	Description	OE - Number	OE - Number	FEATURES	Ref	Old code	CODE	Description	OE - Number	OE - Number	FEATURES
1	-	02843	STABILIZER LINK	548300U000	548302S500	- 282±1	8	-	07316	CONTROL ARM-RH (LOWER) (COMPLETE)	54501B2000	-	-
2	-	07116	STABILIZER LINK	548300U000 PART OF	548302S500 PART OF	- 282	9	-	07317	CONTROL ARM-LH (LOWER) (W/O B.J - WITH BUSHING)	54500B2000 PART OF	-	-
3	-	04485	TIE ROD END-LH	568203X000	56820A5000	-	10	-	07318	CONTROL ARM-RH (LOWER) (W/O B.J - WITH BUSHING)	54501B2000 PART OF	-	-
4	-	04486	TIE ROD END-RH	568203X090	56820A5090	-	11	-	07319	BUSHING	54584B2000	-	-
5	-	07314	AXIAL JOINT	56540B2000	-	-	12	-	07264	BUSHING	54551A4000	-	-
6	-	04495	BALL JOINT (LOWER)	545302P100	545302T010	-							
7	-	07315	CONTROL ARM-LH (LOWER) (COMPLETE)	54500B2000	-	-							

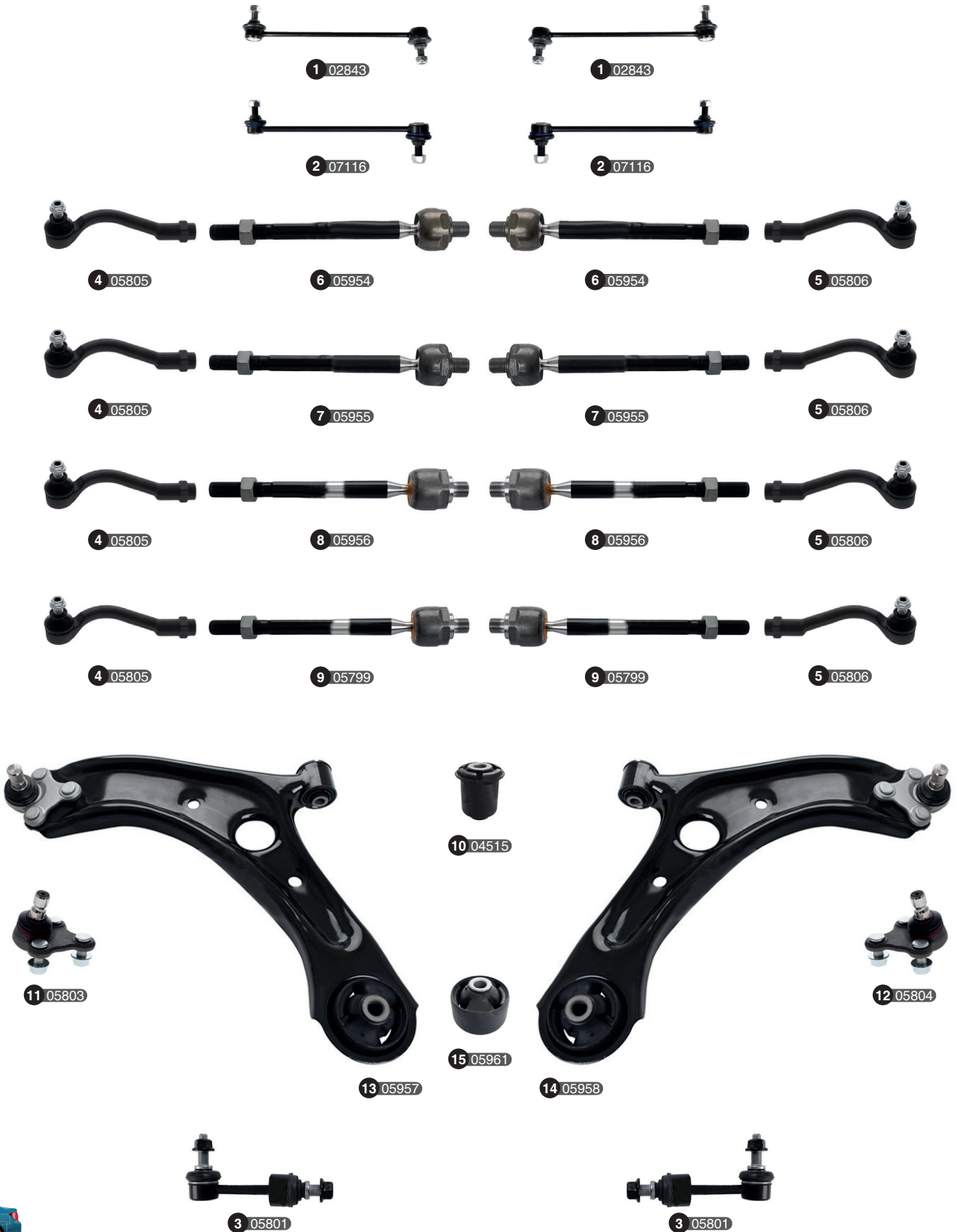




Ref	Old code	CODE	Description	OE – Number	OE – Number	FEATURES	Ref	Old code	CODE	Description	OE – Number	OE – Number	FEATURES
1	-	01787	STABILIZER LINK (REAR)	555301F000	555302E000	- 219	7	-	02536	CONTROL ARM-LH (LOWER) (COMPLETE)	545001F000	545001F100	Ø16,75 - 305,5
2	-	03448	STABILIZER LINK	555302E000 PART OF	555302E100 PART OF	- 219	8	-	02537	CONTROL ARM-RH (LOWER) (COMPLETE)	545011F000	545011F100	Ø16,75 - 305,5
3	-	01788	STABILIZER LINK	548301F000	548302E000	- 240	9	-	02610	BALL JOINT (LOWER)	517602E000	-	-
4	-	01789	TIE ROD END-LH	568202E000	-	- 170	10	-	02795	BUSHING	545512E000	-	Ø12.2 - 55
5	-	01790	TIE ROD END-RH	568202E900	-	- 170	11	-	02796	BUSHING	545842E000	545844D000	Ø14.4 - 60
6	-	01786	AXIAL JOINT	577242E000	-	-	12	-	03413	BALL JOINT (LOWER)	545001F100 PART OF 3	545011F100 PART OF 3	Ø14 -









Ref	Old code	CODE	Description	OE - Number	OE - Number	FEATURES	Ref	Old code	CODE	Description	OE - Number	OE - Number	FEATURES
1	-	02843	STABILIZER LINK	548300U000	548302S500	- 282±1	9	-	05799	AXIAL JOINT	57724D3100	-	-
2	-	07116	STABILIZER LINK	548300U000 PART OF	548302S500 PART OF	- 282							
3	-	05801	STABILIZER LINK (REAR)	55530D3000	55540D3000	-							
4	-	05805	TIE ROD END-LH	56820C1000	56820D7000	-							
5	-	05806	TIE ROD END-RH	56825C1090	56825D7000	-							
6	-	05954	AXIAL JOINT	56540D7000	-	-							
7	-	05955	AXIAL JOINT	56540D7100	-	-							
8	-	05956	AXIAL JOINT	57724D3000	-	-							
							10	-	04515	BUSHING	545513R000	54551C5000	-
							11	-	05803	BALL JOINT-LH (LOWER)	54530C1000	54530D7000	-
							12	-	05804	BALL JOINT-RH (LOWER)	54530C1100	54530D7100	-
							13	-	05957	CONTROL ARM-LH (LOWER) (COMPLETE)	54500D7000	54500F1000	-
							14	-	05958	CONTROL ARM-RH (LOWER) (COMPLETE)	54501D7000	54501F1000	-
							15	-	05961	BUSHING	54584C5000	54584C6000	-





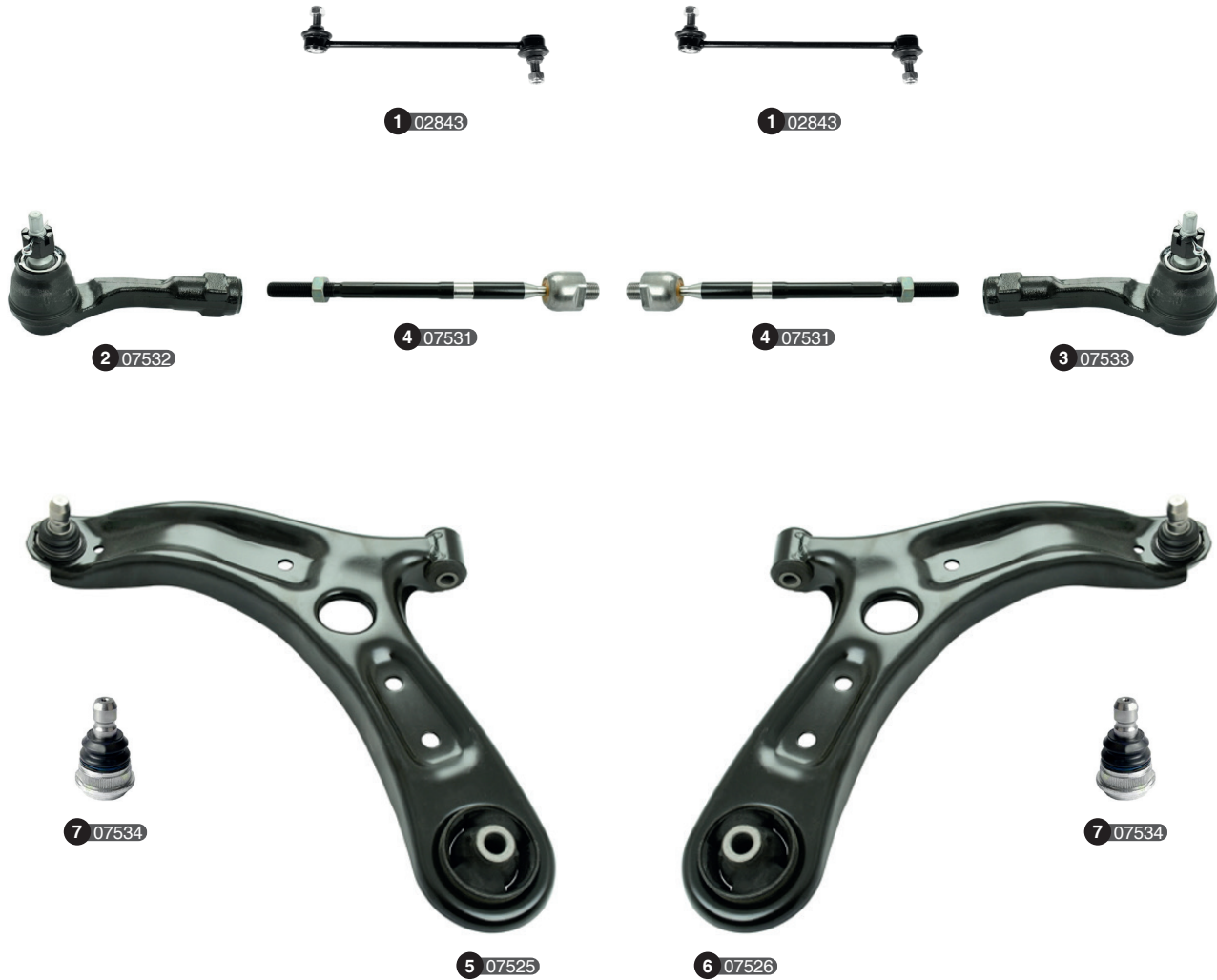


Ref	Old code	CODE	Description	OE - Number	OE - Number	FEATURES	Ref	Old code	CODE	Description	OE - Number	OE - Number	FEATURES
1	-	02843	STABILIZER LINK	548300U000	548302S500	- 282±1	13	-	03652	BALL JOINT (LOWER)	545302S500	545303R000	Ø18 -
2	-	03653	STABILIZER LINK	548302S000	548302S200	- 267	14	-	04518	TRACK ROD (REAR)	551002S050	-	-
3	-	03657	STABILIZER LINK (REAR)	555302S100	555302S200	- 140	15	-	04519	BUSHING	551182S000	552532W100	-
4	-	03658	STABILIZER LINK (REAR)	555302Z000	555303R000	- 88	16	-	04521	TRACK ROD (REAR)	552502W110	552502W650	-
5	-	03654	TIE ROD END-LH	568202S000	568202T000	Ø15 - 232	17	-	07062	TRACK ROD (REAR)	552501H000	552502H000	-
6	-	03655	TIE ROD END-RH	568202S050	568202T100	Ø15 - 232	18	-	07063	TRACK ROD (REAR)	551002S100	551002S150	-
7	-	03656	AXIAL JOINT	577242S000	577242S010	- 177	19	-	07260	CONTROL ARM-LH (LOWER) (COMPLETE)	545002S000 PART OF 3	545002S100 PART OF 3	Ø18 - 306,9
8	-	03312	BUSHING	4S4Z5A638AC	552561H000	Ø12,1 - 35	20	-	07261	CONTROL ARM-RH (LOWER) (COMPLETE)	545012S000 PART OF 3	545012S100 PART OF 3	Ø18 - 306,9
9	-	03644	CONTROL ARM-LH (LOWER) (COMPLETE)	545002S000	545002S100	Ø18 - 306,9	21	-	07262	CONTROL ARM-LH (LOWER) (W/O B.J - WITH BUSHING)	545002Y000 PART OF 4	-	- 272
10	-	03645	CONTROL ARM-RH (LOWER) (COMPLETE)	545012S000	545012S100	Ø18 - 306,9	22	-	07263	CONTROL ARM-RH (LOWER) (W/O B.J - WITH BUSHING)	545012Y000 PART OF 4	-	- 272
11	-	03650	BUSHING	545512S000	-	Ø12,2 - 54,5	23	-	07264	BUSHING	54551A4000	-	-
12	-	03651	BUSHING	545842S000	-	Ø14,2 - 60							





Ref	Old code	CODE	Description	OE - Number	OE - Number	FEATURES	Ref	Old code	CODE	Description	OE - Number	OE - Number	FEATURES
1	-	01963	STABILIZER LINK-LH	548301J000	-	- 216	8	-	02916	BUSHING	545512K000	-	Ø12,3 - 54
2	-	01964	STABILIZER LINK-RH	548401J000	-	- 216	9	-	07139	CONTROL ARM-LH (LOWER) (COMPLETE)	545001P000	545001P100	-
3	-	02013	TIE ROD END-LH	568202K000	-	- 188	10	-	07140	CONTROL ARM-RH (LOWER) (COMPLETE)	545011P000	545011P100	-
4	-	02014	TIE ROD END-RH	568202K050	-	- 188	11	-	07141	CONTROL ARM-LH (LOWER) (W/O B.J - WITH BUSHING)	545001P000 PART OF	545001P100 PART OF	-
5	-	07138	AXIAL JOINT	565402K000	-	-	12	-	07142	CONTROL ARM-RH (LOWER) (W/O B.J - WITH BUSHING)	545011P000 PART OF	545011P100 PART OF	-
6	HD022	00516	BALL JOINT (LOWER)	5450322000	5450322A00	Ø17 -							
7	-	02915	BUSHING	545841G000	545841P000	Ø14.1 - 59.9							



Ref	Old code	CODE	Description	OE - Number	OE - Number	FEATURES	Ref	Old code	CODE	Description	OE - Number	OE - Number	FEATURES
1	-	02843	STABILIZER LINK	548300U000	548302V000	-	5	-	07525	CONTROL ARM-LH (LOWER) (COMPLETE)	54500H8000	-	-
2	-	07532	TIE ROD END-LH	56820H8000	-	-	6	-	07526	CONTROL ARM-RH (LOWER) (COMPLETE)	54501H8000	-	-
3	-	07533	TIE ROD END-RH	56825H8000	-	-	7	-	07534	BALL JOINT (LOWER)	54500H8000 PART OF 2	54501H8000 PART OF 2	-
4	-	07531	AXIAL JOINT	56540H8000	-	-							





KIA CEED (CD) (03/2018-->)  
KIA CEED SPORTSWAGON (CD) (03/2018-->)  
KIA PRO CEED (CD) (10/2018-->)  
KIA XCEED (CD) (06/2019-->)





KIA CEED (CD) (03/2018-->)  
KIA CEED SPORTSWAGON (CD) (03/2018-->)  
KIA PRO CEED (CD) (10/2018-->)  
KIA XCEED (CD) (06/2019-->)

Ref	Old code	CODE	Description	OE - Number	OE - Number	FEATURES	Ref	Old code	CODE	Description	OE - Number	OE - Number	FEATURES
1	-	06898	STABILIZER LINK	54830F2000	-	-	8	-	06892	BALL JOINT-RH (LOWER)	54530F2100	-	-
2	-	06894	TIE ROD END-LH	56820F2000	-	-	9	-	04493	BUSHING	545513X000	-	-
3	-	06895	TIE ROD END-RH	56825F2000	-	-	10	-	07238	BUSHING	54584F2000	54584F2AA0	-
4	-	06893	AXIAL JOINT	56540F2000	-	-	11	-	08256	TRACK ROD	55250F2BA0	55250G2100	-
5	-	08254	CONTROL ARM LH (LOWER) (COMPLETE)	54500G4AA0	-	-	12	-	08257	TRACK ROD LH	55100F2BA0	55100G4AA0	-
6	-	08255	CONTROL ARM RH (LOWER) (COMPLETE)	54501G4AA0	-	-	13	-	08258	TRACK ROD RH	55101F2BA0	55101G4AA0	-
7	-	06891	BALL JOINT-LH (LOWER)	54530F2000	-	-	14	-	07158	STABILIZER LINK	55530G2000	-	-





1 08355



2 08356



3 05805



5 08357



5 08357



4 05806

MDPS BLACK RACK



3 05805



6 08358



6 08358



4 05806

MDPS BLACK COLUMN



7 08359



9 07168



8 08360



10 08361

EXC. GT-LINE



11 05803



12 05804



13 08362



14 08363





Ref	Old code	CODE	Description	OE – Number	OE – Number	FEATURES	Ref	Old code	CODE	Description	OE – Number	OE – Number	FEATURES
1	-	08355	STABILIZER LINK LH	54830C1000	-	-	8	-	08360	CONTROL ARM RH (LOWER) (COMPLETE)	54501C1000	-	-
2	-	08356	STABILIZER LINK RH	54840C1000	-	-	9	-	07168	BUSHING	54551C1000	54551C5000	-
3	-	05805	TIE ROD END LH	56820C1000	56820D3000	-	10	-	08361	BUSHING	54584D4900	54584C1000	-
4	-	05806	TIE ROD END RH	56825D3000	56825D7000	-	11	-	05803	BALL JOINT LH (LOWER)	54530C1000	54530D7000	-
5	-	08357	AXIAL JOINT	57724C1000	577243Z100	-	12	-	05804	BALL JOINT RH (LOWER)	54530C1100	54530D7100	-
6	-	08358	AXIAL JOINT	57724D4000	-	-	13	-	08362	54584C1000	55530C1100	-	-
7	-	08359	CONTROL ARM LH (LOWER) (COMPLETE)	54500C1000	-	-	14	-	08363	STABILIZER LINK RH	55540C1100	-	-

