



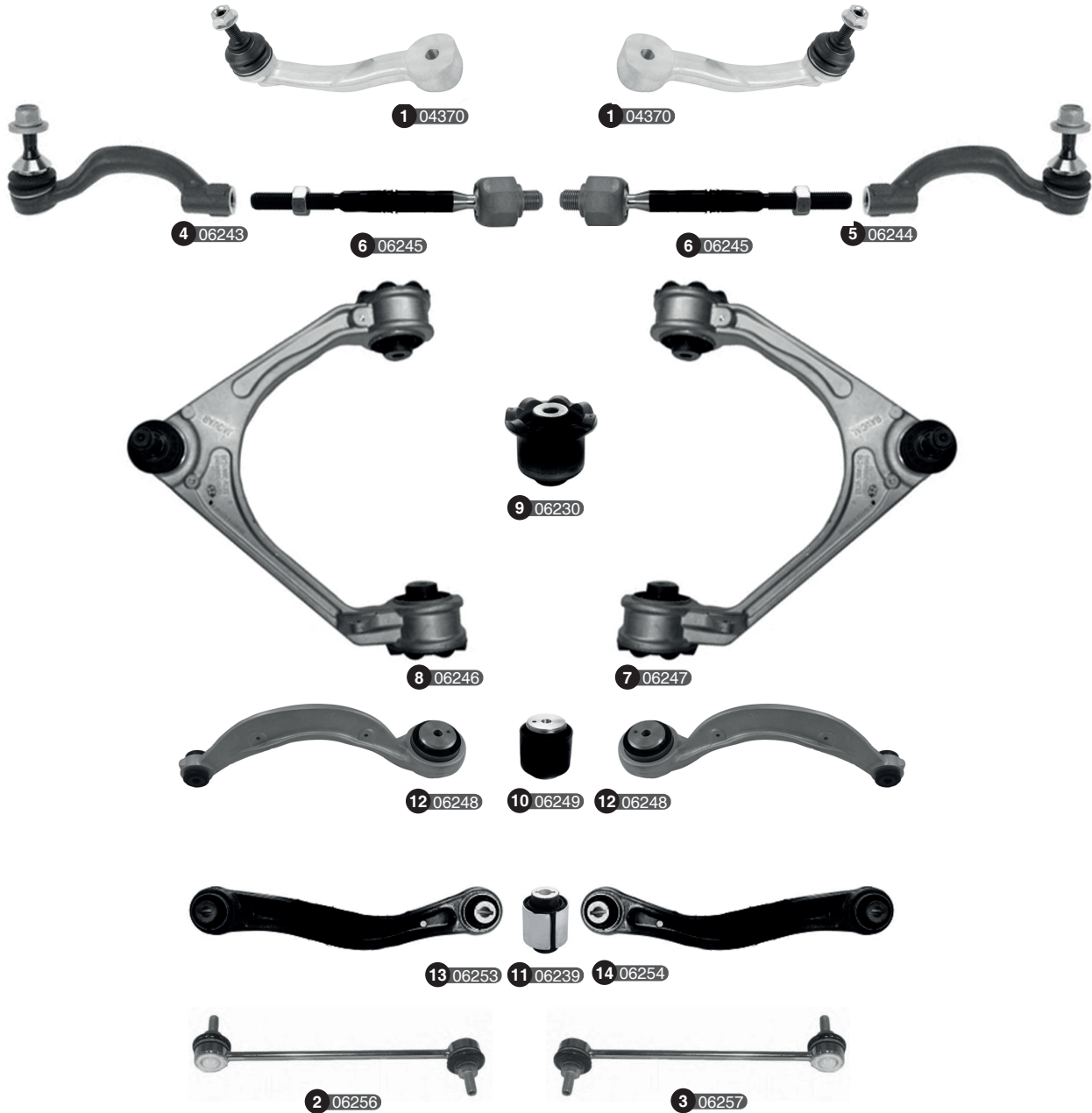
JAGUAR



Ref	Old code	CODE	Description	OE - Number	OE - Number	FEATURES	Ref	Old code	CODE	Description	OE - Number	OE - Number	FEATURES
1	-	02619	Stabilizer link	XR81694	XR855185	Front	7	-	04396	Axial joint	C2C29620 Part of	C2C29620 Part of	-
2	-	02378	Stabilizer link-L	C2C18572	XW4Z5C487AB	Rear	8	-	04380	Control arm complete-L	C2D2475	XR856013	Upper
3	-	02618	Stabilizer link-R	C2C18571	XW4Z5C486AB	Rear	9	-	04381	Control arm complete-R	C2D2474	XR856012	Upper
4	-	04394	Tie rod end-L	XR81771	XR81771	-	10	-	02617	Ball joint	XR817610 Part of	XR88758 Part of	Lower
5	-	04395	Tie rod end-R	XR81770	XR81770	-	11	-	04374	Bushing	C2C38956 Part of	XR057883 Part of	Upper
6	-	04373	Axial joint	C2C14898 Part of	C2C38669 Part of	-							



Ref	Old code	CODE	Description	OE - Number	OE - Number	FEATURES	Ref	Old code	CODE	Description	OE - Number	OE - Number	FEATURES
1	-	04370	Stabilizer link	C2C10793	XR822199	Front	7	-	04385	Control arm complete-L	C2Z2279	XR857884	Upper
2	-	02378	Stabilizer link-L	C2C18572	XW4Z5C487AB	Rear	8	-	04386	Control arm complete-R	C2Z2278	XR857883	Upper
3	-	02618	Stabilizer link-R	C2C18571	XW4Z5C486AB	Rear	9	-	04348	Bushing	C2C13834	XR845722	Lower
4	-	02614	Tie rod end-L	C2C20177	C2C8371	-	10	-	04374	Bushing	C2C38956 Part of	XR057883 Part of	Upper
5	-	02615	Tie rod end-R	C2C20176	C2C8370	-	11	-	04375	Track control arm	C2C13829	XR845712	Lower
6	-	04373	Axial joint	C2C14898 Part of	C2C38669 Part of	-							



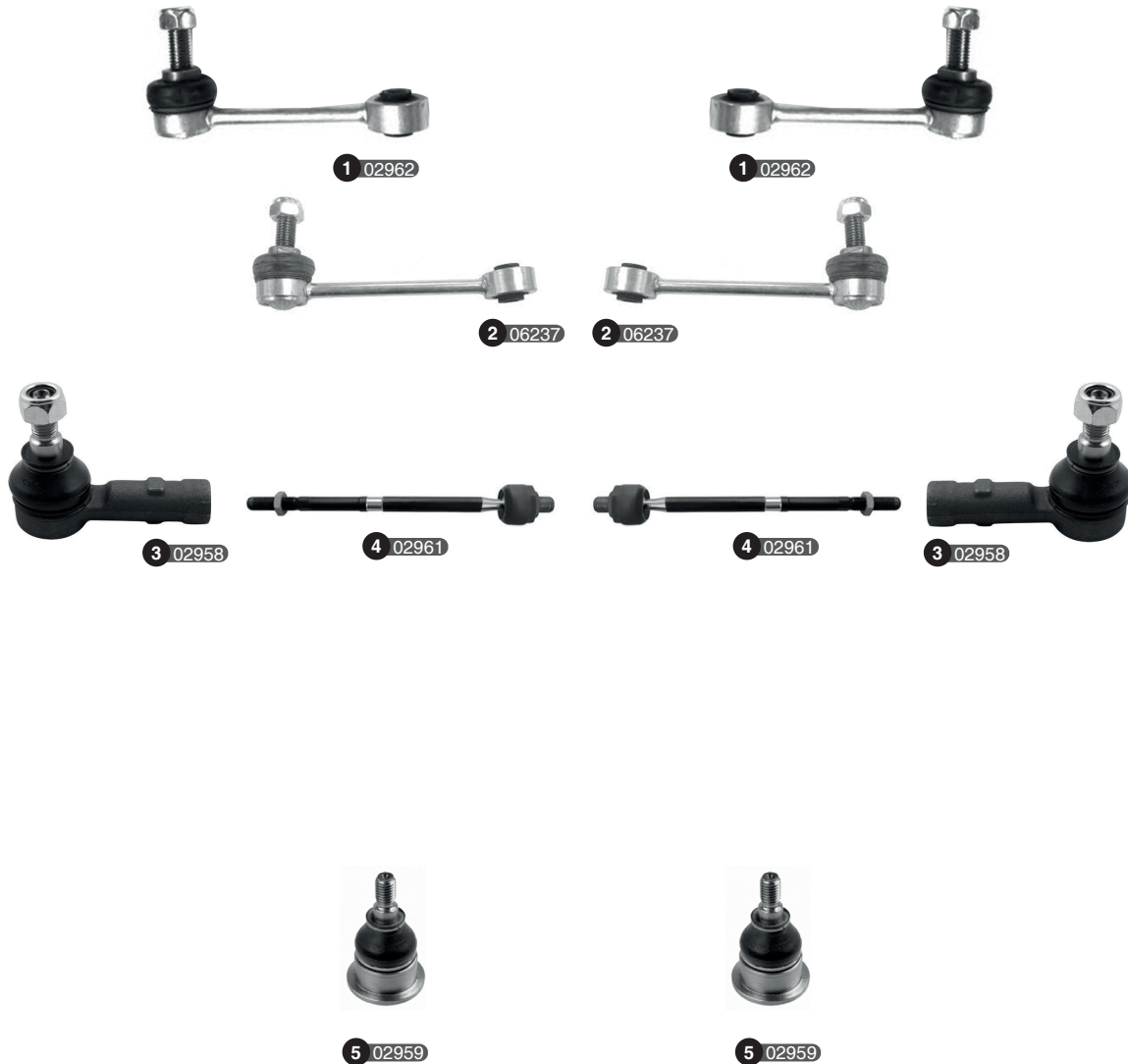
Ref	Old code	CODE	Description	OE – Number	OE – Number	FEATURES	Ref	Old code	CODE	Description	OE – Number	OE – Number	FEATURES
1	-	04370	Stabilizer link	C2C10793	C2C18573	Front	9	-	06230	Bushing	GX733A188AB	T2H3192 Part of	Upper
2	-	06256	Stabilizer link-L	T4N3673	-	Rear	10	-	06249	Bushing	T2H24313 Part of	T2H8177	Lower
3	-	06257	Stabilizer link-R	T4N3672	-	Rear	11	-	06239	Bushing	HK835500AC Part of	T4A1004 Part of	-
4	-	06243	Tie rod end-L	T2H21417	T2H6306	-	12	-	06248	Track control arm	T2H24313	T2H3196	Lower
5	-	06244	Tie rod end-R	T2H21416	T2H6305	-	13	-	06253	Track rod-L	T2H17175	-	Rear
6	-	06245	Axial joint	T2H21418	-	-	14	-	06254	Track rod-R	T2H17173	-	Rear
7	-	06246	Control arm complete-L	T2H3193	-	Upper							
8	-	06247	Control arm complete-R	T2H3192	-	Upper							



Ref	Old code	CODE	Description	OE - Number	OE - Number	FEATURES	Ref	Old code	CODE	Description	OE - Number	OE - Number	FEATURES
1	-	04370	Stabilizer link	C2C10793	XR822199	Front	7	-	04385	Control arm complete-L	C2Z2279	XR857884	Upper
2	-	02378	Stabilizer link-L	C2C18572	XW4Z5C487AB	Rear	8	-	04386	Control arm complete-R	C2Z2278	XR857883	Upper
3	-	02618	Stabilizer link-R	C2C18571	XW4Z5C486AB	Rear	9	-	04348	Bushing	C2C13834	XR845722	Lower
4	-	04382	Tie rod end-L	C2Z5518	C2Z5518	-	10	-	04374	Bushing	C2C38956 Part of	XR057883 Part of	Upper
5	-	04383	Tie rod end-R	C2Z5517	C2Z5517	-	11	-	04375	Track control arm	C2C13829	XR845712	Lower
6	-	04384	Axial joint	C2Z2214 Part of	C2Z2215 Part of	-							



Ref	Old code	CODE	Description	OE - Number	OE - Number	FEATURES	Ref	Old code	CODE	Description	OE - Number	OE - Number	FEATURES
1	FR030	00373	Stabilizer link	1039511	1054209	Rear	2	-	02958	Tie rod end	JLM1098	JLM9660	-



Ref	Old code	CODE	Description	OE - Number	OE - Number	FEATURES	Ref	Old code	CODE	Description	OE - Number	OE - Number	FEATURES
1	-	02962	Stabilizer link	MJA2105AF	MJA2105AG	Front	4	-	02961	Axial joint	ACC7298	ACC7298 Part of	ZF STEERING
2	-	06237	Stabilizer link	MNC2105AA	-	Front	5	-	02959	Ball joint	JLM21177	MNC1450AA	Upper
3	-	02958	Tie rod end	JLM1098	JLM9726	All							



1 04370



1 04370



4 02614



6 04373



6 04373



5 02615



8 04375



7 04348



8 04375



2 02378

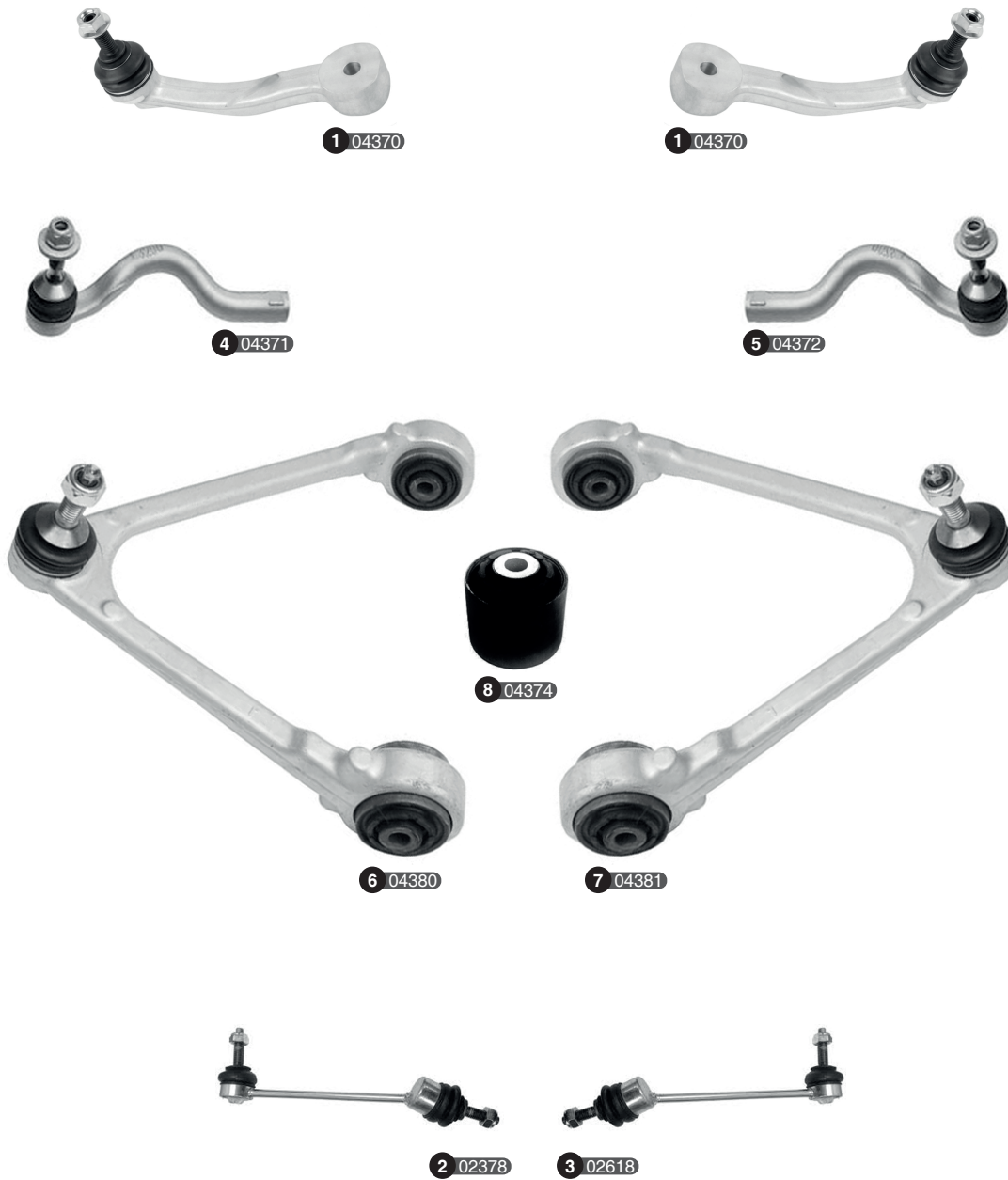


3 02618



Ref	Old code	CODE	Description	OE - Number	OE - Number	FEATURES	Ref	Old code	CODE	Description	OE - Number	OE - Number	FEATURES
1	-	04370	Stabilizer link	C2C10793	XR822199	Front	5	-	02615	Tie rod end-R	C2C20176	C2C8370	-
2	-	02378	Stabilizer link-L	C2C18572	XW4Z5C487AB	Rear	6	-	04373	Axial joint	C2C14898 Part of	C2C38669 Part of	-
3	-	02618	Stabilizer link-R	C2C18571	XW4Z5C486AB	Rear	7	-	04348	Bushing	C2C13834	XR845722	Lower
4	-	02614	Tie rod end-L	C2C20177	C2C8371	-	8	-	04375	Track control arm	C2C13829	XR845712	Lower





Ref	Old code	CODE	Description	OE - Number	OE - Number	FEATURES	Ref	Old code	CODE	Description	OE - Number	OE - Number	FEATURES
1	-	04370	Stabilizer link	C2C10793	XR822199	Front	6	-	04380	Control arm complete-L	C2D2475	XR856013	Upper
2	-	02378	Stabilizer link-L	C2C18572	XW4Z5C487AB	Rear	7	-	04381	Control arm complete-R	C2D2474	XR856012	Upper
3	-	02618	Stabilizer link-R	C2C18571	XW4Z5C486AB	Rear	8	-	04374	Bushing	C2C38956 Part of	XR057883 Part of	Upper
4	-	04371	Tie rod end-L	C2D7779	C2D7779	EXC.AWD							
5	-	04372	Tie rod end-R	C2D7778	C2D7778	EXC.AWD							



Ref	Old code	CODE	Description	OE - Number	OE - Number	FEATURES	Ref	Old code	CODE	Description	OE - Number	OE - Number	FEATURES
1	-	04370	Stabilizer link	C2C10793	XR822199	Front	5	-	02615	Tie rod end-R	C2C20176	C2C8370	-
2	-	02378	Stabilizer link-L	C2C18572	XW4Z5C487AB	Rear	6	-	04382	Tie rod end-L	C2Z5518	C2Z5518	-
3	-	02618	Stabilizer link-R	C2C18571	XW4Z5C486AB	Rear	7	-	04383	Tie rod end-R	C2Z5517	C2Z5517	-
4	-	02614	Tie rod end-L	C2C20177	C2C8371	-	8	-	04384	Axial joint	C2D28554	C2D47149	-



Ref	Old code	CODE	Description	OE - Number	OE - Number	FEATURES	Ref	Old code	CODE	Description	OE - Number	OE - Number	FEATURES
1	-	02962	Stabilizer link	MJA2105AF	MJA2105AG	Front	3	-	02961	Axial joint	ACC7298 Part of	ACC7298 Part of	ZF STERERING
2	-	02958	Tie rod end	JLM1098	JLM9726	All	4	-	02959	Ball joint	JLM21177	MNC1450AA	Upper

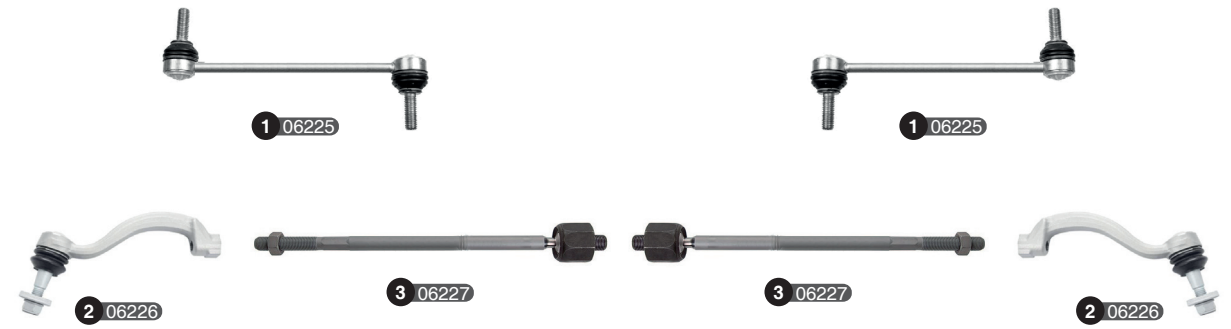


Ref	Old code	CODE	Description	OE - Number	OE - Number	FEATURES	Ref	Old code	CODE	Description	OE - Number	OE - Number	FEATURES
1	FR053	00401	Stabilizer link	1117698	XS4JM1C230BA	M10x1,5-249 mm (METAL)	7	FR043-R	00389	Control arm complete-R	1116578	C2S39661	Lower
2	FR075	00413	Stabilizer link	1117698 Part of	C2S39552 Part of	M10x1,5-249,5 mm (PLASTIC)	8	FR042-L	00386	Control arm w/o ball joint-L	1116579 Part of	1203924 Part of	Lower
3	-	02630	Stabilizer link	C2S24698	C2S4585	Rear	9	FR042-R	00387	Control arm w/o ball joint-R	1116578 Part of	1203923 Part of	Lower
4	-	03449	Tie rod end	1X433289AB	C2S47357	M10x1,5-Female-M16x1,5-92,5 mm	10	FR046	00393	Ball joint	1203923 Part of	ME1S7J3395AA	21
5	-	02609	Axial joint	1X433200AF	C2S25023 Part of	M16X1,5 RHT	11	FR203	00465	Bushing	1116578 Part of	1203924 Part of	Small
6	FR043-L	00388	Control arm complete-L	1116579	C2S39662	Lower	12	FR204	00466	Bushing	1311416 Part of	1S713A262A01 Part of	Big / Hydraulic





Ref	Old code	CODE	Description	OE - Number	OE - Number	FEATURES	Ref	Old code	CODE	Description	OE - Number	OE - Number	FEATURES
1	-	04643	STABILIZER LINK	J9C1154	LR024474	-	11	-	07444	TRACK ROD-RH	J9C1348	J9C6195	-
2	-	04043	TIE ROD END-LH	LR027570	T4N20185	-	12	-	07445	BUSHING	J9C1348 PART OF	J9C1717 PART OF	-
3	-	04044	TIE ROD END-RH	LR026267	T4N20184	-	13	-	07446	BUSHING	J9C7147	LR060486	-
4	-	04045	AXIAL JOINT	J9C7533	LR026271	-	14	-	04035	BUSHING	J9C7145	LR005646	-
5	-	07435	CONTROL ARM-LH (LOWER) (COMPLETE)	J9C13932	J9C2117	-	15	-	04038	BUSHING	J9C7146	LR005647	-
6	-	07436	CONTROL ARM-RH (LOWER) (COMPLETE)	J9C13931	J9C2115	-	16	-	07450	BUSHING	C2P25978	LR061535	-
7	-	04041	BUSHING	J9C13931 PART OF 2	J9C13932 PART OF 2	-	17	-	07447	TRACK ROD-LH	J9C18609	J9C4821	-
8	-	04042	BUSHING	J9C13931 PART OF 3	J9C13932 PART OF 3	-	18	-	07448	TRACK ROD-RH	J9C18608	J9C4820	-
9	-	07441	BALL JOINT (LOWER)	J9C13931 PART OF 4	J9C13932 PART OF 4	-	19	-	07449	BUSHING	J9C4820 PART OF	J9C4821 PART OF	-
10	-	07443	TRACK ROD-LH	J9C1717	J9C6196	-	20	-	08010	STABILIZER LINK-LH	J9C1131	LR114304	-
							21	-	08011	STABILIZER LINK-RH	J9C1129	LR114303	-





Ref	Old code	CODE	Description	OE - Number	OE - Number	FEATURES	Ref	Old code	CODE	Description	OE - Number	OE - Number	FEATURES
1	-	06225	STABILIZER LINK	53476968	68273965AB	-	10	-	06233	TRACK CONTROL ARM RH	T4A1078	LR090505	-
2	-	06226	TIE ROD END	T4A12525	T4A28746	-	11	-	06234	BUSHING	T4A1011 PART OF	T4A1078 PART OF	-
3	-	06227	AXIAL JOINT	T4A12526	T4A12527	-	12	-	06236	BUSHING	T4A1079 PART OF 1	LR090505 PART OF 1	-
4	-	06228	CONTROL ARM LH (UPPER) (COMPLETE)	HK833091AB	LR090503	-	13	-	06238	TRACK ROD	HK835500AC	T4A1004	-
5	-	06229	CONTROL ARM RH (UPPER) (COMPLETE)	HK833084A	HK833084AB	-	14	-	06239	BUSHING	T4A1004 PART OF	HK835500AC PART OF	-
6	-	06230	BUSHING	LR117883 PART OF	T2H3192 PART OF	-	15	-	08024	TRACK ROD LH	LR124618	LR128497	-
7	-	06231	TRACK CONTROL ARM	T4A1012	LR113871	-	16	-	08025	TRACK ROD RH	J9CLR090537	T4A37037	-
8	-	06235	BUSHING	LR090506 PART OF	T4A11965	-	17	-	07547	BUSHING	LR090543 PART OF	J9C8645 PART OF	-
9	-	06232	TRACK CONTROL ARM LH	T4A1080	T4A1079	-	18	-	06241	STABILIZER LINK	LR090549	HK835D498AB	-







LOWER ALL



10 06248



11 06249



10 06248

EXC. AWD



12 06250



16 06252



13 06251



14 06222



15 04377



15 04377



14 06222



19 06239



17 06253



19 06239



18 06254



19 06239



21 07547



20 06255



20 06255



21 07547



22 06256



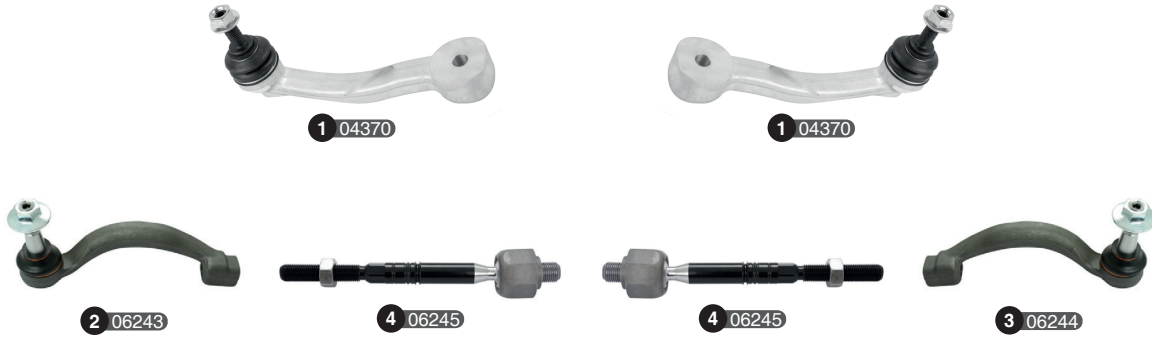
23 06257





Ref	Old code	CODE	Description	OE - Number	OE - Number	FEATURES	Ref	Old code	CODE	Description	OE - Number	OE - Number	FEATURES
1	-	04370	STABILIZER LINK	C2C10793	C2C18573	-	13	-	06251	TRACK CONTROL ARM RH	T2H19026	T2H3194	-
2	-	06243	TIE ROD END LH	T2H21417	T2H6306	-	14	-	06222	BUSHING	C2D6787 PART OF	AW935K486B PART OF	-
3	-	06244	TIE ROD END RH	T2H21416	T2H6305	-	15	-	04377	BUSHING	C2C12119 PART OF 1	C2C18350	-
4	-	06245	AXIAL JOINT	T2H4205	T2H21418	-	16	-	06252	BUSHING	T4N7753	-	-
5	-	06246	CONTROL ARM LH (UPPER) (COMPLETE)	T2H3193	-	-	17	-	06253	TRACK ROD LH	T2H17175	-	-
6	-	06247	CONTROL ARM RH (UPPER) (COMPLETE)	T2H3192	-	-	18	-	06254	TRACK ROD RH	T2H17173	-	-
7	-	06230	BUSHING	GX733A188AB	LR117884 PART OF	-	19	-	06239	BUSHING	HK835500AC PART OF	T4A1004 PART OF	-
8	-	08209	CONTROL ARM LH (UPPER) (COMPLETE)	T4N1130	-	-	20	-	06255	TRACK ROD	T2H16771	T2H2185	-
9	-	08210	CONTROL ARM RH (UPPER) (COMPLETE)	T4N1128	-	-	21	-	07547	BUSHING	J9C8644 PART OF	J9C8645 PART OF	-
10	-	06248	TRACK CONTROL ARM	T2H3196	T2H24313	-	22	-	06256	STABILIZER LINK LH	T4N3673	-	-
11	-	06249	BUSHING	T2H24313 PART OF	T2H8177	-	23	-	06257	STABILIZER LINK RH	T4N3672	-	-
12	-	06250	TRACK CONTROL ARM LH	T2H19029	T2H3195	-							





UPPER ALL



UPPER ALL





LOWER ALL



10 06248



11 06249



10 06248

EXC. AWD



12 06250



16 06252



13 06251



14 06222



15 04377



15 04377



14 06222



19 06239



17 06253



19 06239



18 06254



19 06239



21 07547



20 06255



20 06255



21 07547



22 06256



23 06257





Ref	Old code	CODE	Description	OE - Number	OE - Number	FEATURES	Ref	Old code	CODE	Description	OE - Number	OE - Number	FEATURES
1	-	04370	STABILIZER LINK	C2C10793	C2C18573	-	13	-	06251	TRACK CONTROL ARM RH	T2H19026	T2H3194	-
2	-	06243	TIE ROD END LH	T2H21417	T2H6306	-	14	-	06222	BUSHING	C2D6787 PART OF	AW935K486B PART OF	-
3	-	06244	TIE ROD END RH	T2H21416	T2H6305	-	15	-	04377	BUSHING	C2C12119 PART OF 1	C2C18350	-
4	-	06245	AXIAL JOINT	T2H4205	T2H21418	-	16	-	06252	BUSHING	T4N7753	-	-
5	-	06246	CONTROL ARM LH (UPPER) (COMPLETE)	T2H3193	-	-	17	-	06253	TRACK ROD LH	T2H17175	-	-
6	-	06247	CONTROL ARM RH (UPPER) (COMPLETE)	T2H3192	-	-	18	-	06254	TRACK ROD RH	T2H17173	-	-
7	-	06230	BUSHING	GX733A188AB	LR117884 PART OF	-	19	-	06239	BUSHING	HK835500AC PART OF	T4A1004 PART OF	-
8	-	08209	CONTROL ARM LH (UPPER) (COMPLETE)	T4N1130	-	-	20	-	06255	TRACK ROD	T2H16771	T2H2185	-
9	-	08210	CONTROL ARM RH (UPPER) (COMPLETE)	T4N1128	-	-	21	-	07547	BUSHING	J9C8644 PART OF	J9C8645 PART OF	-
10	-	06248	TRACK CONTROL ARM	T2H3196	T2H24313	-	22	-	06256	STABILIZER LINK LH	T4N3673	-	-
11	-	06249	BUSHING	T2H24313 PART OF	T2H8177	-	23	-	06257	STABILIZER LINK RH	T4N3672	-	-
12	-	06250	TRACK CONTROL ARM LH	T2H19029	T2H3195	-							

