



D
B
O
E



Ref	Old code	CODE	Description	OE - Number	OE - Number	FEATURES	Ref	Old code	CODE	Description	OE - Number	OE - Number	FEATURES
1	-	02165	Stabilizer link	1513343 Part of	1745924 Part of	M10x1,5-252 mm	7	-	03693	Control arm complete-R	1751952	AY113042AA	17,5-337 mm
2	-	03389	Stabilizer link	1513343	1745924	M10x1,5-251,5 mm (ALUMINIUM)	8	-	03695	Control arm w/o ball joint-L	1834055 Part of	EY163051AA Part of	-
3	-	01973	Tie rod end-L	1545339	8V513C437AA	M12x1,75-Female-M14x1,5-93 mm	9	-	03696	Control arm w/o ball joint-R	1834054 Part of	EY163042AA Part of	-
4	-	01974	Tie rod end-R	1545338	8V513C367AA	M12x1,75-Female-M14x1,5-93 mm	10	-	02017	Ball joint	1518904 Part of	1700809 Part of	17,5
5	-	01972	Axial joint	1545457	8V513L519AA	M14x1,5-M14x1,5-294 mm	11	-	03694	Bushing	1751955 Part of	1834055 Part of	Rubber
6	-	03692	Control arm complete-L	1751955	AY113051AA	17,5-337 mm	12	-	02052	Bushing	1521773 Part of	1834055 Part of	-

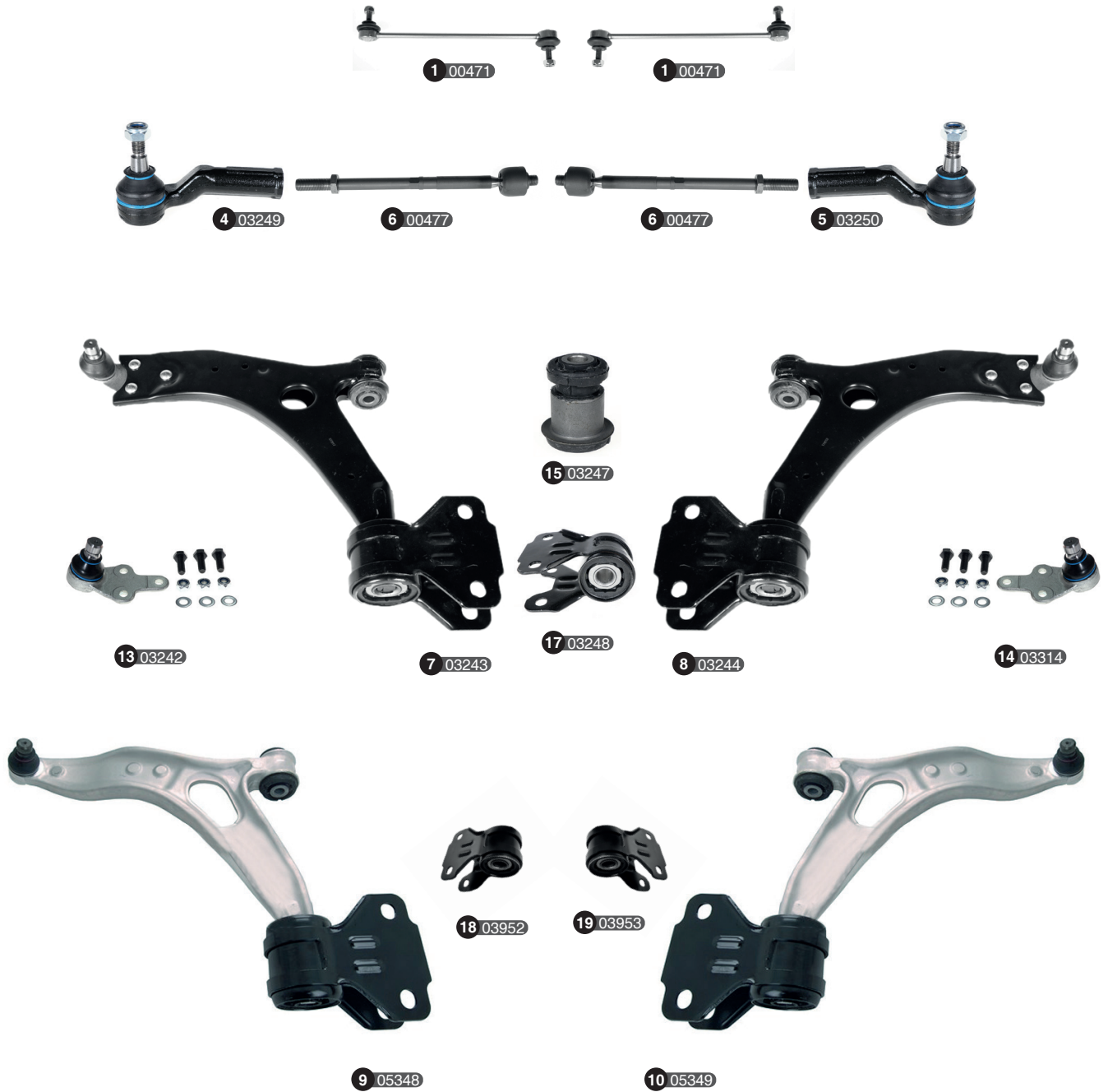


Ref	Old code	CODE	Description	OE – Number	OE – Number	FEATURES	Ref	Old code	CODE	Description	OE – Number	OE – Number	FEATURES
1	FR209	00470	Stabilizer link	1310333	1335548	M10x1,5-76 mm (REAR)	10	FR222-R	00482	Control arm w/o ball joint-R	31277465 Part of	1234371 Part of	-
2	FR210	00471	Stabilizer link	1223792	1230909	M10x1,5-298 mm	11	-	02075	Ball joint	1470387	1679388	M14x1,5-Bottom cone 21 18
3	-	03949	Stabilizer link	1500682	1719542	Rear	12	FR233	00494	Bushing	1234371 Part of	1234375 Part of	Small
4	FR219-L	00478	Tie rod end-L	1251924	1306176	M10x1,5-Female-M16x1,5-100 mm	13	FR232	00492	Bushing	1570284 Part of	1570285 Part of	Big
5	FR219-R	00479	Tie rod end-R	1251925	1306177	M10x1,5-Female-M16x1,5-100 mm	14	-	03312	Bushing	4S4Z5A638AC	552561H000	12.1
6	FR218	00477	Axial joint	1251937	1510270	M16x1,5-M14x1,5-294 mm	15	-	04804	Bushing	1061659 Part of	1136072 Part of	11.8
7	-	02076	Control arm complete-L	1420858	1488111	M14x1,5-358 mm	16	-	06161	Track control arm	1517403	1484033	-
8	-	02077	Control arm complete-R	1420795	1488110	M14x1,5-358 mm	17	-	02871	Axle Bushing	1061670	1304124	-
9	FR222-L	00481	Control arm w/o ball joint-L	31277464 Part of	1254311 Part of	-	18	-	03311	Track rod	1061668	1100983	223-223-32,3-35 mm (REAR)



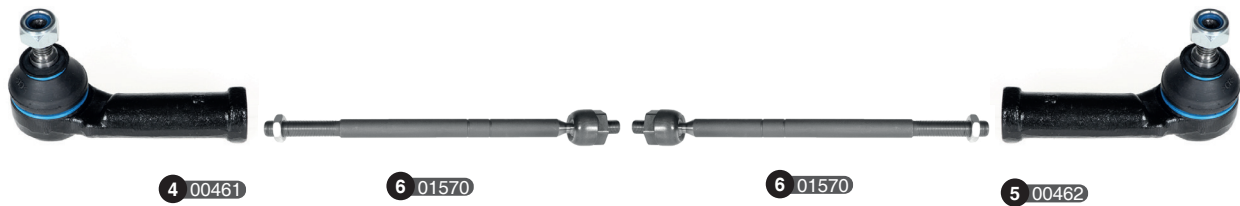


C-MAX II (CB7, CEU, UAV) (12/2010-->)
GRAND C-MAX (CB7, CEU, MAV) (12/2010-->)





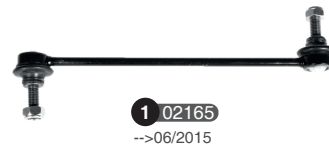
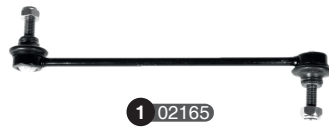
Ref	Old code	CODE	Description	OE - Number	OE - Number	FEATURES	Ref	Old code	CODE	Description	OE - Number	OE - Number	FEATURES
1	FR210	00471	Stabilizer link	1223792	1230909	M10x1,5-298 mm	12	-	03246	Control arm w/o ball joint-R	1702970 Part of	1709457 Part of	-
2	-	03240	Stabilizer link	1701466	1691815	REAR	13	-	03242	Ball joint-L	1702983 Part of	1709468 Part of	21
3	-	03949	Stabilizer link	1500682	1719542	REAR	14	-	03314	Ball joint-R	1702970 Part of	1709424 Part of	21
4	-	03249	Tie rod end-L	1714700	1748239	-	15	-	03247	Bushing	1702970 Part of	1702983 Part of	Small FOR ALUMINIUM + SHEET METAL ARM
5	-	03250	Tie rod end-R	1714576	1748237	-		-	-	03954	Bushing	1692849	31350696 Part of
6	FR218	00477	Axial joint	1780104	1251937	M16x1,5-M14x1,5-294 mm	17	-	03248	Bushing	BBM234300 Part of	1702970 Part of	Big SHEET METAL ARM
7	-	03243	Control arm complete-L	1709466	1702983	21-360 mm (SHEET METAL)		-	-	03952	Bushing-L	1709468 Part of	1749992 Part of
8	-	03244	Control arm complete-R	1702970	1709457	21-360 mm (SHEET METAL)	19	-	03953	Bushing-R	1709423 Part of	1709424 Part of	For aluminium arm
9	-	05348	Control arm complete-L	1709468	1749992	-	20	-	03946	Track rod	1500111	1703145	REAR
10	-	05349	Control arm complete-R	1709423	1709424	-	21	-	03947	Track rod	1683463	1755222	REAR
11	-	03245	Control arm w/o ball joint-L	1702983 Part of	1709466 Part of	-	22	-	04804	Bushing	1061659 Part of	1136072 Part of	11.8



Ref	Old code	CODE	Description	OE - Number	OE - Number	FEATURES	Ref	Old code	CODE	Description	OE - Number	OE - Number	FEATURES
1	-	00415	Stabilizer link	1106269	5106995	M10x1,5-238 mm (ALUMINIUM)	5	-	00462	Tie rod end-R	1035690	1097316	M10x1,5-Female-M16x1,5-93 mm
2	-	00361	Stabilizer link	1106269 Part of	5106995 Part of	M10x1,25-236 mm	6	-	01570	Axial joint	3903149	F5RC3280EA	M16x1,5-M14x1,5-341 mm
3	-	00373	Stabilizer link	1039511	1054209	REAR							
4	-	00461	Tie rod end-L	1035691	1097323	M10x1,5-Female-M16x1,5-93 mm	7	-	00427	Ball joint	1023026 Part of	1023028 Part of	19



Ref	Old code	CODE	Description	OE - Number	OE - Number	FEATURES
1	-	03673	Stabilizer link	2N155K484AA	-	M10x1,5-237 mm



Ref	Old code	CODE	Description	OE – Number	OE – Number	FEATURES	Ref	Old code	CODE	Description	OE – Number	OE – Number	FEATURES	
1	-	02165	Stabilizer link	1513343 Part of	1745924 Part of	M10x1,5-252 mm	9	-	04537	Control arm complete-L	1793903	-	-	
2	-	03389	Stabilizer link	1513343	1745924	M10x1,5-251,5 mm (ALUMINIUM)	10	-	04538	Control arm complete-R	1793902	-	-	
3	-	01973	Tie rod end-L	1545339	8V513C437AA	M12x1,75-Female-M14x1,5-93 mm	11	-	02017	Ball joint	1518904 Part of	-	17,5	
4	-	01974	Tie rod end-R	1545338	8V513C367AA	M12x1,75-Female-M14x1,5-93 mm	12	-	04541	Bushing	1793902 Part of	1793903 Part of	Small	
5	-	04536	Axial joint	1785002	-	-	13	-	04542	Bushing	1793902 Part of	1793903 Part of	Big	
6	-	06178	Tie rod end-L	2095043	-	-		14	-	08077	Bushing	2141158	-	-
7	-	06179	Tie rod end-R	2090579	-	-		15	-	04543	Bushing	1751679	AY115K653AA	-
8	-	08076	Axial joint	2180383	-	-								

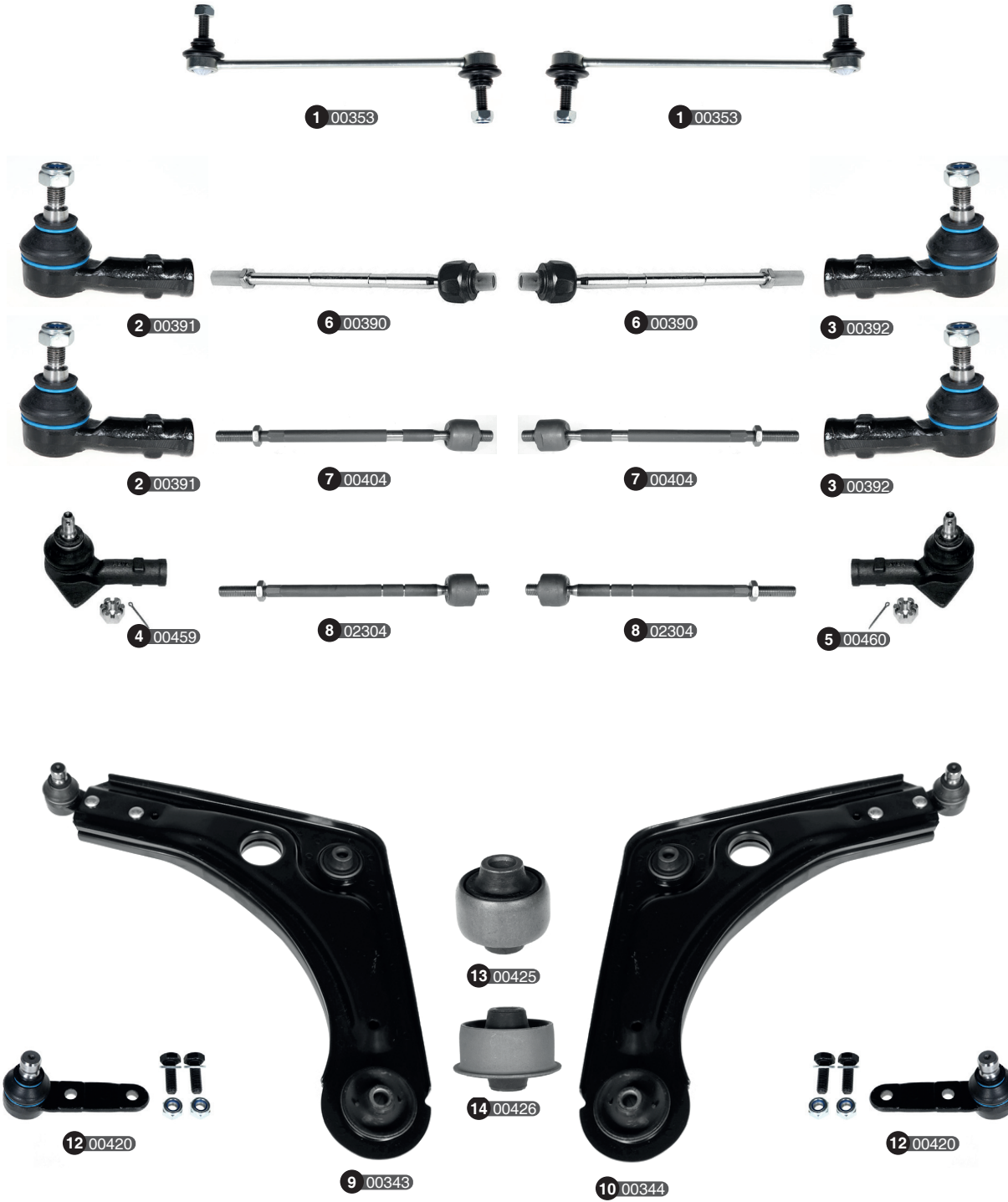




Ref	Old code	CODE	Description	OE - Number	OE - Number	FEATURES
1	-	00416	Tie rod end	1447222	1571221	-



ESCORT V (07/1990-02/1999)
ESCORT VI (07/1990-02/1999)
ESCORT VII (07/1990-02/1999)

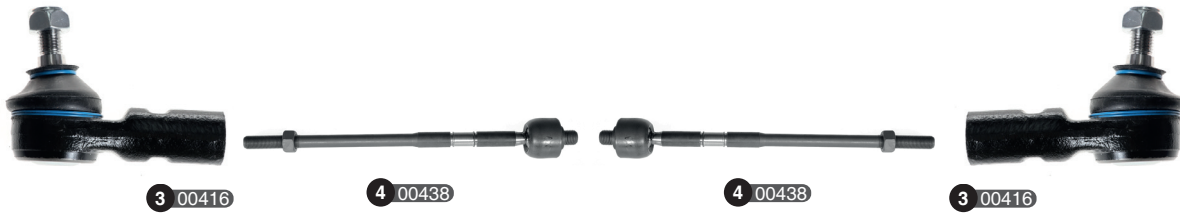


Ref	Old code	CODE	Description	OE – Number	OE – Number	FEATURES	Ref	Old code	CODE	Description	OE – Number	OE – Number	FEATURES
1	FR010	00353	Stabilizer link	1004018	1107068	M10x1,5-238 mm	8	FR171	02304	Axial joint	6135757	6185338	M14x2- M14x1,5-291 mm
2	FR045-L	00391	Tie rod end-L	1015547	6555938	M10x1,25-Female- M14x1,5-75 mm	9	FR003-L	00343	Control arm complete-L	1058280	6615743	253 mm
3	FR045-R	00392	Tie rod end-R	1015546	5024332	M10x1,5-Female- M14x2-75 mm	10	FR003-R	00344	Control arm complete-R	1058279	6615742	253 mm
4	FR179-L	00459	Tie rod end-L	5021414	6120232	M10x1,25-Female- M14x2-75 mm	11	FR002	00342	Control arm w/o ball joint	1058279 Part of	6525844 Part of	-
5	FR179-R	00460	Tie rod end-R	5021413	6120231	M10x1,25-Female- M14x2-75 mm	12	FR100	00420	Ball joint	1033616	1047853	17
6	FR044	00390	Axial joint	6180350	1024130	M14x1,5- M14x1,5-323 mm	13	FR111	00425	Bushing	1000445	89FB3063AD	Small
7	FR057	00404	Axial joint	6197238	91AB3L519CB	M14x2- M14x1,5-308 mm	14	FR112	00426	Bushing	1035929	91AB3A262AA	Big



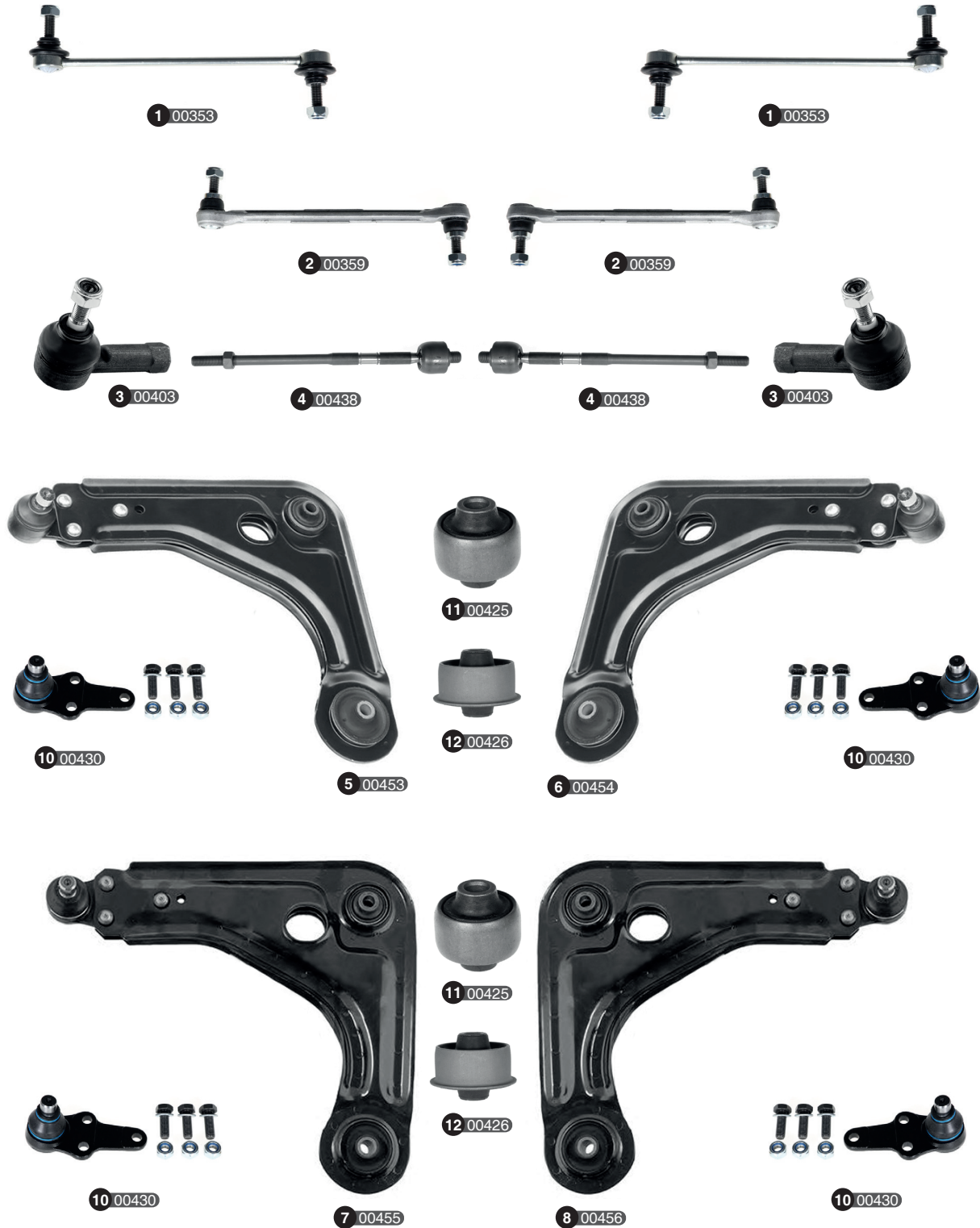


Ref	Old code	CODE	Description	OE - Number	OE - Number	FEATURES
1	FR079	00416	Tie rod end	1447222	1571221	-



Ref	Old code	CODE	Description	OE – Number	OE – Number	FEATURES	Ref	Old code	CODE	Description	OE – Number	OE – Number	FEATURES
1	FR010	00353	Stabilizer link	1004018	1061631	M10x1,5-238 mm	8	FR153-R	00450	Control arm complete-R	1054988	6645154	MS
2	-	00359	Stabilizer link	1107068 Part of	1111769 Part of	M10x1,5-238 mm (ALUMINIUM)	9	-	02363	Control arm w/o ball joint	1046934 Part of	1054988 Part of	-
3	FR079	00416	Tie rod end	1447222	5021410	-	10	FR100	00420	Ball joint	1033616	1047853	17 MS
4	FR142	00438	Axial joint	1659374	4048739	1/2x20- M14x1,5-299 mm	11	FR143	00437	Ball joint	1030027	1047852	1/2x20- M14x1,5-299 mm (RS / XR2i)
5	FR154-L	00451	Control arm complete-L	6645157	7152279	-	12	FR111	00425	Bushing	1000445	89FB3063AD	MS
6	FR154-R	00452	Control arm complete-R	6645155	7152276	-	13	FR112	00426	Bushing	1035929	91AB3A262AA	MS
7	FR153-L	00449	Control arm complete-L	1054989	6193086	MS							



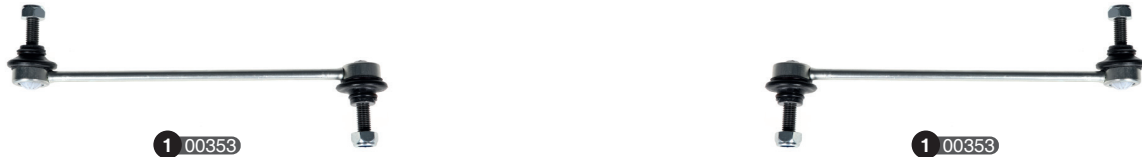


Ref	Old code	CODE	Description	OE – Number	OE – Number	FEATURES	Ref	Old code	CODE	Description	OE – Number	OE – Number	FEATURES
1	-	00353	Stabilizer link	1004018	1061631	M10x1,5-238 mm	8	-	00456	Control arm complete-R	1046934	1111410	PS COURIER
2	-	00359	Stabilizer link	1107068 Part of	1111769 Part of	M10x1,5-238 mm (ALUMINIUM)	9	-	02362	Control arm w/o ball joint	1046297 Part of	1054989 Part of	-
3	-	00403	Tie rod end	1032567	1032689	-	10	-	00430	Ball joint	1030025	1047797	16,5 MS EXC. COURIER
4	-	00438	Axial joint	1659374	4048739	1/2x20-M14x1,5-299 mm	11	-	00425	Bushing	1000445	89FB3063AD	"PS COURIER MS EXC. COURIER" (Small)
5	-	00453	Control arm complete-L	1046297	7152271	MS EXC. COURIER							
6	-	00454	Control arm complete-R	1054980	1070337	MS EXC. COURIER	12	-	00426	Bushing	1035929	91AB3A262AA	"PS COURIER MS EXC. COURIER" (Big)
7	-	00455	Control arm complete-L	1046935	1070340	PS COURIER							





FIESTA IV (JA_, JB_) (09/1995-06//2002)
FIESTA COURIER (J5_, J3_) (09/1995-06//2002)



6 00351

7 00352



18 00430

8 00354

9 00355

18 00430





Ref	Old code	CODE	Description	OE - Number	OE - Number	FEATURES	Ref	Old code	CODE	Description	OE - Number	OE - Number	FEATURES
1	FR010	00353	Stabilizer link	1004018	1061631	M10x1,5-238 mm	11	FR011-R	00357	Control arm complete-R	1009582	1058331	210,5 mm (MS EXC. COURIER)
2	-	00359	Stabilizer link	1107068 Part of	1209035 Part of	M10x1,5-238 mm (ALUMINIUM)	12	FR008-L	00349	Control arm w/o ball joint-L	1009598 Part of	1020220 Part of	-
3	FR050-L	00397	Tie rod end-L	1011858	1E0132280A	M10x1,5-Female-M14x2-75 mm	13	FR008-R	00350	Control arm w/o ball joint-R	1009582 Part of	1058331 Part of	-
4	FR050-R	00398	Tie rod end-R	6FB3289AD	1020174	M10x1,5-Female-M14x2-75 mm	14	FR231-L	00490	Control arm w/o ball joint-L	1003584 Part of	1020221 Part of	-
5	FR036	00380	Axial joint	1044014	1E0032240	M14x2-M14x1,5-307 mm	15	FR231-R	00491	Control arm w/o ball joint-R	1003574 Part of	1046038 Part of	-
6	FR009-L	00351	Control arm complete-L	1003585	1015264	17,5-305 mm (PS EXC. COURIER)	16	-	02257	Control arm w/o ball joint-L	1003585 Part of	1015264 Part of	-
7	FR009-R	00352	Control arm complete-R	1003575	1015260	17,5-305 mm (PS EXC. COURIER)	17	-	02258	Control arm w/o ball joint-R	1003575 Part of	1015260 Part of	-
8	FR010-L	00354	Control arm complete-L	1003584	1046072	305 mm (COURIER)	18	FR130	00430	Ball joint	1030025	1047797	16,5
9	FR010-R	00355	Control arm complete-R	1003574	1046038	305 mm (COURIER)	19	FR131	00431	Bushing	1010037	1055191	Small
10	FR011-L	00356	Control arm complete-L	1009598	1046073	210,5 mm (MS EXC. COURIER)	20	FR132	00432	Bushing	1004011	1063372	Big



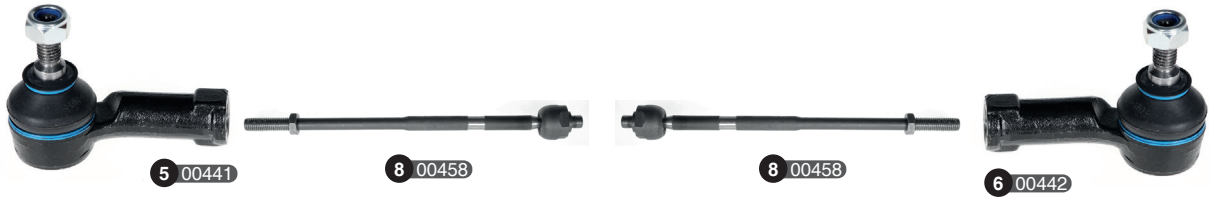
Ref	Old code	CODE	Description	OE - Number	OE - Number	FEATURES	Ref	Old code	CODE	Description	OE - Number	OE - Number	FEATURES
1	FR037	00381	Stabilizer link	1146150	2S613B438AC	M10x1,5-283,5 mm	6	FR040-R	00385	Control arm complete-R	1207447	1208511	16,5-319 mm
2	FR035-L	00378	Tie rod end-L	1202549	2S6J3290AC	M10X1.5- M14X1.5-93 mm	7	FR039-L	00382	Control arm w/o ball joint-L	1146131 Part of	1211757 Part of	-
3	FR035-R	00379	Tie rod end-R	1202548	2S6J3289AC	M10X1.5- M14X1.5-93 mm	8	FR039-R	00383	Control arm w/o ball joint-R	1207447 Part of	1208511 Part of	-
4	FR173	00457	Axial joint	2S6C3280KA	2S6C3280KB	M14x1,5- M14x1,5-278 mm	9	FR034	00377	Ball joint	1212807 Part of	2S613395AB Part of	16,5
5	FR040-L	00384	Control arm complete-L	1146131	1211757	16,5-319 mm	10	FR133	00433	Bushing	1212807S1	-	Small
							11	FR134	00434	Bushing	1212807S2	-	Big



Ref	Old code	CODE	Description	OE - Number	OE - Number	FEATURES	Ref	Old code	CODE	Description	OE - Number	OE - Number	FEATURES
1	-	02165	Stabilizer link	1513343 Part of	1745924 Part of	M10x1,5-252 mm	7	-	02019	Control arm complete-R	1518904	1532421	17,5-337 mm
2	-	03389	Stabilizer link	1513343	1745924	M10x1,5-251,5 mm (ALUMINIUM)	8	-	03433	Control arm w/o ball joint-L	1521773 Part of	1532433 Part of	-
3	-	01973	Tie rod end-L	1545339	8V513C437AA	M12x1,75-Female-M14x1,5-93 mm	9	-	03434	Control arm w/o ball joint-R	1518904 Part of	1532421 Part of	-
4	-	01974	Tie rod end-R	1545338	8V513C367AA	M12x1,75-Female-M14x1,5-93 mm	10	-	02017	Ball joint	1518904 Part of	1520778 Part of	17,5
5	-	01972	Axial joint	1545457	8V513L519AA	M14x1,5-M14x1,5-294 mm	11	-	02052	Bushing	1518904 Part of	1737309 Part of	Big
6	-	02018	Control arm complete-L	1521773	1712697	17,5-337 mm	12	-	02053	Bushing	1518904 Part of	1532433 Part of	Small



Ref	Old code	CODE	Description	OE - Number	OE - Number	FEATURES	Ref	Old code	CODE	Description	OE - Number	OE - Number	FEATURES
1	-	02165	Stabilizer link	1513343 Part of	1745924 Part of	M10x1,5-252 mm	7	-	06181	Control arm complete-R	2084192	2112616	-
2	-	03389	Stabilizer link	1513343	1745924	M10x1,5-251,5 mm (ALUMINIUM)	8	-	06182	Control arm w/o ball joint-L	2084194 Part of	2112614 Part of	-
3	-	06178	Tie rod end-L	2095043	-	-	9	-	06183	Control arm w/o ball joint-R	2084192 Part of	2112616 Part of	-
4	-	06179	Tie rod end-R	2090579	-	-	10	-	06186	Ball joint	2112614 Part of	2112616 Part of	-
5	-	06423	Axial joint	2090582	-	M14x1,5- M14x1,5-280 mm	11	-	06887	Bushing	2112614 Part of	2112616 Part of	Small
6	-	06180	Control arm complete-L	2084194	2112614	-	12	-	06888	Bushing	2112614 Part of	2112616 Part of	Big

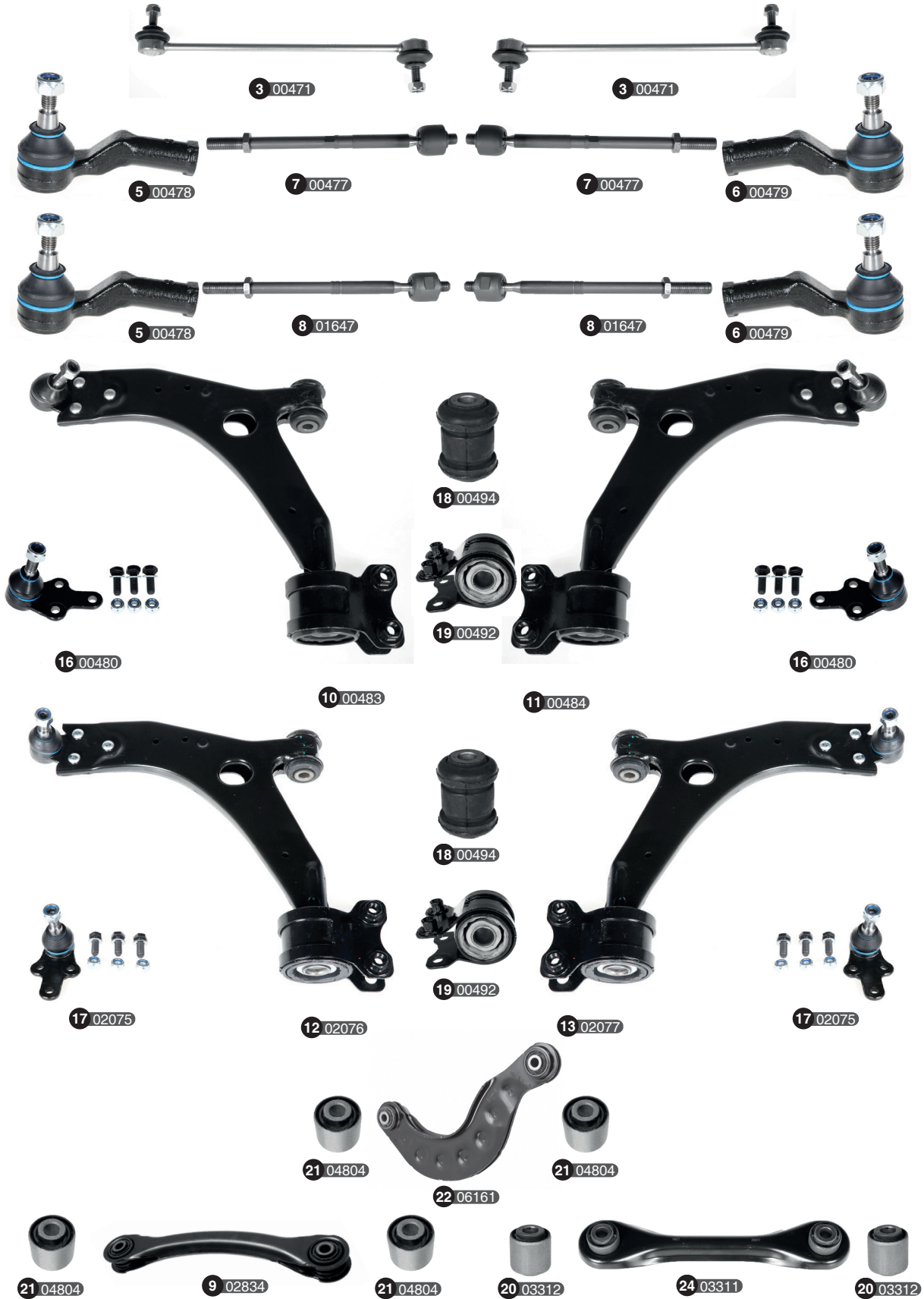




Ref	Old code	CODE	Description	OE - Number	OE - Number	FEATURES	Ref	Old code	CODE	Description	OE - Number	OE - Number	FEATURES
1	FR013	00359	Stabilizer link	1107068 Part of	1111769 Part of	M10x1,5-238 mm (ALUMINIUM)	11	FR021-R	00365	Control arm complete-R	1073214	1207973	16,5-356,5 mm
2	FR010	00353	Stabilizer link	1004018	1071336	M10x1,5-238 mm (EXC. RS)	12	FR020-L	00362	Control arm w/o ball joint-L	1073215 Part of	1090738 Part of	-
3	-	02520	Stabilizer link	1061702	-	M8x1,25-110 mm (REAR)	13	FR020-R	00363	Control arm w/o ball joint-R	1073214 Part of	1207973 Part of	-
4	-	02787	Stabilizer link	1061703	1203093	M8x1,25-110 mm (REAR)	14	FR140	00435	Ball joint	98AG3042ZZ	98AG3395AE	16,5
5	FR146-L	00441	Tie rod end-L	1074306	1107015	M10x1,5-Female-M14x2-75 mm	15	FR201	00463	Bushing	1061570	98AG3063AE	Small
6	FR146-R	00442	Tie rod end-R	1074305	1107013	M10x1,5-Female-M14x2-75 mm	16	FR202	00464	Bushing	1067918	98AG3A262AG	Big
7	FR147	00443	Axial joint	3707333	3043523	M14x2-M14x1,5-343 mm (RHD EXC. RS)	17	-	03312	Bushing	4S4Z5A638AC	552561H000	-
8	FR174	00458	Axial joint	1085520	98AG3L519AA	M14x2-M14x1,5-343 mm (LHD EXC. RS)	18	-	04804	Bushing	1061659 Part of	1136072 Part of	-
9	-	02834	Control arm complete	1061660	1136073	REAR	19	-	02871	Axle Bushing	1061670	1304124	-
10	FR021-L	00364	Control arm complete-L	1073215	1138161	16,5-356,5 mm	20	-	02870	Track rod	1061659	1136072	REAR
							21	-	03311	Track rod	1061668	1100983	223-223-32,3-35 mm (REAR)

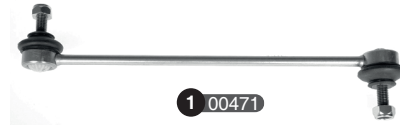
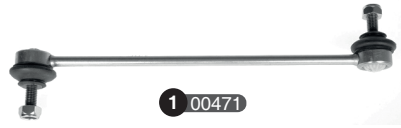


FOCUS II (CAP, CB4, CA5) (11/2004-09/2012)
FOCUS C-MAX (CAP) (10/2003-03/2007)





Ref	Old code	CODE	Description	OE - Number	OE - Number	FEATURES	Ref	Old code	CODE	Description	OE - Number	OE - Number	FEATURES
1	-	03949	Stabilizer link	1500682	1719542	REAR 04/2007 ->	12	-	02076	Control arm complete-L	1420858	30760280	M14x1,5-358 mm-Bottom cone 21(03/2006 ->)
2	FR209	00470	Stabilizer link	1310333	1335548	M10x1,5-76 mm (REAR)	13	-	02077	Control arm complete-R	1420795	30760279	M14x1,5-358 mm-Bottom cone 21(03/2006 ->)
3	FR210	00471	Stabilizer link	1223792	1230909	M10x1,5-298 mm	14	FR222-L	00481	Control arm w/o ball joint-L	3M513A424AF Part of	1254311 Part of	-
4	-	02787	Stabilizer link	1061703	1487402	M8x1,25-110 mm (REAR -> 03/2007)	15	FR222-R	00482	Control arm w/o ball joint-R	3M513A423AF Part of	1305341 Part of	-
5	FR219-L	00478	Tie rod end-L	1251924	1315083	"M10x1,5-Female-M16x1,5-100 mm (C-MAX / FOCUS II)"	16	FR220	00480	Ball joint	1234382	3M513K209AA	M14x1,5-Bottom cone 18
6	FR219-R	00479	Tie rod end-R	1251925	1315074	"M10x1,5-Female-M16x1,5-100 mm (C-MAX / FOCUS II)"	17	-	02075	Ball joint	1470387	3M513395BC	M14x1,5-Bottom cone 21
7	FR218	00477	Axial joint	1251937	1510270	M16x1,5-M14x1,5-294 mm (C-MAX)	18	FR233	00494	Bushing	1234371 Part of	1234375 Part of	Small
8	-	01647	Axial joint	1317453	4M513L519AA	M16x1,5-M14x1,5-293 mm (FOCUS II)	19	FR232	00492	Bushing	1570284 Part of	1570285 Part of	Big
9	-	02834	Control arm complete	1061660	1448127	FOCUS ESTATE REAR	20	-	03312	Bushing	4S4Z5A638AC	552561H000	12.1
10	FR223-L	00483	Control arm complete-L	1234375	1254311	M14x1,5-358 mm-Bottom cone 18(-> 02/2006)	21	-	04804	Bushing	1061659 Part of	1136072 Part of	11.8
11	FR223-R	00484	Control arm complete-R	1234371	1305341	M14x1,5-358 mm-Bottom cone 18(-> 02/2006)	22	-	06161	Track control arm	1484033	1517403	FOCUS SALOON / C-MAX
							23	-	02871	Axle Bushing	1061670	1304124	-
							24	-	03311	Track rod	1061668	1061668	223-223-32,3-35 mm (REAR)





Ref	Old code	CODE	Description	OE – Number	OE – Number	FEATURES	Ref	Old code	CODE	Description	OE – Number	OE – Number	FEATURES
1	FR210	00471	Stabilizer link	1223792	1230909	M10x1,5-298 mm	15	-	03245	Control arm w/o ball joint-L	1702983 Part of	1709466 Part of	-
2	-	03240	Stabilizer link	1691815	1714891	REAR	16	-	03246	Control arm w/o ball joint-R	1702970 Part of	1709457 Part of	-
3	-	03949	Stabilizer link	1500682	1719542	REAR	17	-	03242	Ball joint-L	1702983 Part of	1709468 Part of	21
4	-	03249	Tie rod end-L	1714700	1748239	"ELEC. PS HYDRO. PS 10/2014 ->"	18	-	03314	Ball joint-R	1702970 Part of	1709423 Part of	21
5	-	03250	Tie rod end-R	1714576	1780102	"ELEC. PS HYDRO. PS 10/2014 ->"	19	-	03247	Bushing	BV613063BAA Part of	1702970 Part of	Small
6	FR219-L	00478	Tie rod end-L	1251924	1306176	"M10x1,5-Female-M16x1,5-100 mm (HYDRO. PS -> 09/2014)"	20	-	03248	Bushing	1702970 Part of	1702983 Part of	Big
							21	-	03954	Bushing	1692849	31350696 Part of	-
7	FR219-R	00479	Tie rod end-R	1251925	1306177	"M10x1,5-Female-M16x1,5-100 mm (HYDRO. PS -> 09/2014)"	22	-	04804	Bushing	1061659 Part of	1136072 Part of	SALOON-HATCH ALL
							23	-	03952	Bushing-L	1709468 Part of	1749992 Part of	-
8	FR218	00477	Axial joint	1251937	1510270	M16x1,5-M14x1,5-294 mm(ELEC. PS)	24	-	03953	Bushing-R	1709423 Part of	1749593 Part of	-
							25	-	03946	Track rod	1500111	1703145	REAR
9	-	03239	Axial joint	1754076	BV613L519AA	"HYDRO. PS -> 09/2014 HYDRO. PS 10/2014 ->"	26	-	03947	Track rod	1683463	1755222	REAR SALOON-HATCH STEEL
10	-	02834	Control arm complete	1061660	1136073	REAR	27	-	02870	Track rod	1061659	1136072	REAR SALOON-HATCH PLATE
11	-	03243	Control arm complete-L	1702983	1742266	21-360 mm	28	-	06136	Control arm complete (Lower)	1719027 - 1882884	1931562-1743421-1785675	LOWER
12	-	03244	Control arm complete-R	1702970	1742265	21-360 mm	29	-	06195	Bushing-R	1064128 PART OF	1150353 PART OF	-
13	-	05348	Control arm complete-L	1709468	AV613A424MA	ALUMINIUM	30	-	06196	Bushing-L	1064128 PART OF 1	1150353 PART OF 1	-
14	-	05349	Control arm complete-R	1709423	1709424	ALUMINIUM							





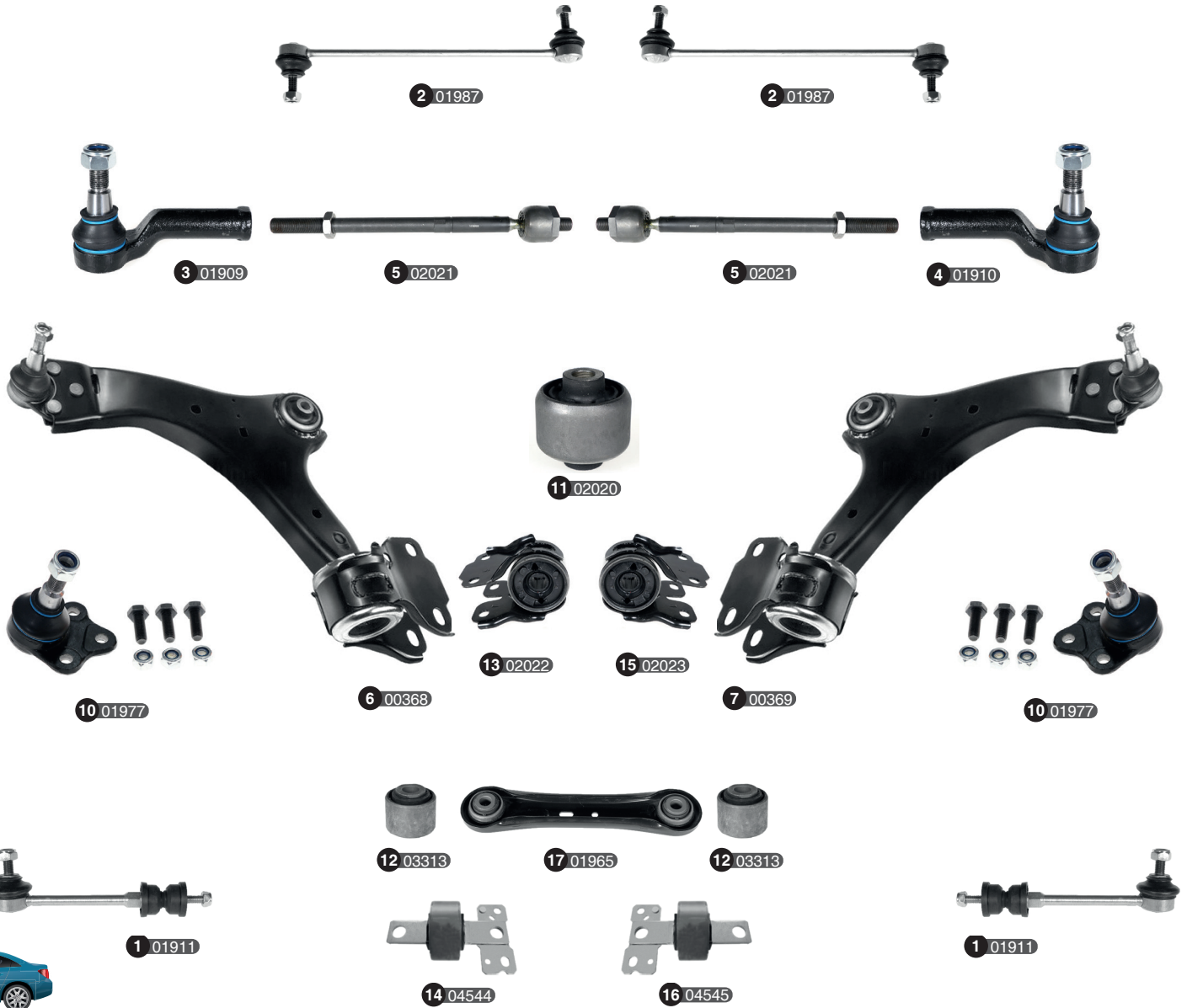
Ref	Old code	CODE	Description	OE - Number	OE - Number	FEATURES
1	-	03586	Ball joint	1602098	-	M12x1,75



Ref	Old code	CODE	Description	OE - Number	OE - Number	FEATURES	Ref	Old code	CODE	Description	OE - Number	OE - Number	FEATURES
1	FR037	00381	Stabilizer link	1146150	2S613B438AC	M10x1,5-283,5 mm	6	FR040-R	00385	Control arm complete-R	1207447	1211756	16,5-319 mm
2	FR035-L	00378	Tie rod end-L	1202549	2S6J3290AC	M10X1,5- M14X1,5-93 mm	7	FR039-L	00382	Control arm w/o ball joint-L	1146131 Part of	1211757 Part of	-
3	FR035-R	00379	Tie rod end-R	1202548	2S6J3289AC	M10X1,5- M14X1,5-93 mm	8	FR039-R	00383	Control arm w/o ball joint-R	1207447 Part of	1214911 Part of	-
4	FR173	00457	Axial joint	2S6G3280KA	4342539	M14x1,5- M14x1,5-278 mm	9	FR034	00377	Ball joint	1679382	ME2S6J3395AA	16,5
5	FR040-L	00384	Control arm complete-L	1146131	1207448	16,5-319 mm	10	FR133	00433	Bushing	1212807S1	-	Small
							11	FR134	00434	Bushing	1212807S2	-	Big



Ref	Old code	CODE	Description	OE - Number	OE - Number	FEATURES	Ref	Old code	CODE	Description	OE - Number	OE - Number	FEATURES
1	FR015	00360	Stabilizer link	1009591	1141774	M12x1,5-204 mm	5	-	02471	Control arm complete-L	7M0407151B	1007602	361,8 mm-1,10 QH / 2,Q
2	FR214-L	00474	Tie rod end-L	1058380	1234259	M12x1,5-Female-M14x1,5-223 mm	6	-	02472	Control arm complete-R	7M0407152B	1012632	361,8 mm-1,10 QH / 2,Q
3	FR214-R	00475	Tie rod end-R	1058378	1234258	M12x1,5-Female-M14x1,5-223 mm	7	FR215	00476	Ball joint	1111156	7200946	M14x1,5
4	-	01470	Axial joint	1001395	1121508	M14x1,5-M14x1,5-186,5 mm	8	-	02117	Bushing	1044571	7M0407181	Big
							9	-	02118	Bushing	7201717	7M0501541	Small



Ref	Old code	CODE	Description	OE - Number	OE - Number	FEATURES	Ref	Old code	CODE	Description	OE - Number	OE - Number	FEATURES
1	-	01911	Stabilizer link	1377416	1425853	M10x1,25-180 mm (REAR)	9	FR025-R	00367	Control arm w/o ball joint-R	1466186 Part of	LR002624 Part of	-
2	-	01987	Stabilizer link	1377849	30648461	M10x1,5-299 mm	10	-	01977	Ball joint	1469026 Part of	7G9N2A053BA	M14x1,5
3	-	01909	Tie rod end-L	1433274	30776249	M14x1,5-Female-M18x1,5-112 mm	11	-	02020	Bushing	LR007206 Part of	1466188 Part of	Small
4	-	01910	Tie rod end-R	1433273	30776248	M14x1,5-Female-M18x1,5-112 mm	12	-	03313	Bushing	1377449 Part of	1381443 Part of	-
5	-	02021	Axial joint	1433271	1596574	M18x1,5-M16x1,5-315 mm	13	-	02022	Bushing-L	1466188 Part of	1469026 Part of	Big
6	FR026-L	00368	Control arm complete-L	1466188	1507182	M14x1,5-354,8 mm	14	-	04544	Bushing-L	1865033	2040702	-
7	FR026-R	00369	Control arm complete-R	1466186	1469024	M14x1,5-354,8 mm	15	-	02023	Bushing-R	1466186 Part of	1469024 Part of	Big
8	FR025-L	00366	Control arm w/o ball joint-L	1466188 Part of	LR002625 Part of	-	16	-	04545	Bushing-R	1865034	2040703	-
							17	-	01965	Track rod	1377449	1381443	195 mm-195 mm-12,2-35 mm





Ref	Old code	CODE	Description	OE - Number	OE - Number	FEATURES	Ref	Old code	CODE	Description	OE - Number	OE - Number	FEATURES
1	-	04548	Stabilizer link	5182780	-	-	10	-	06199	Bushing	1877652 Part of	1877653 Part of	-
2	-	06206	Stabilizer link	5282207	5295981	REAR	11	-	06203	Bushing	5197081 Part of	5309231 Part of	Small
3	-	04549	Tie rod end-L	1802977	5333724	-	12	-	06204	Bushing	5310657 Part of	-	-
4	-	04550	Tie rod end-R	1802974	5333720	-	13	-	06205	Bushing	5288317 Part of	-	-
5	-	04551	Axial joint	1824228	-	-	14	-	06200	Bushing-L	1877653 Part of	-	Big
6	-	06197	Control arm complete-L	1877653	-	-	15	-	06201	Bushing-R	1877652 Part of	-	Big
7	-	06198	Control arm complete-R	1877652	-	-	16	-	06134	Track rod-L	5309161	-	Rear
8	-	04564	Bushing	1801446 Part of	-	-	17	-	06135	Track rod-R	5309139	-	Rear
9	-	04565	Bushing	1801446 Part of	-	-	18	-	06133	Track rod	5310657	-	Rear
							19	-	06202	Track rod	5309231	-	Rear



1 00359



1 00359



2 00353



2 00353



3 00403



4 00438



4 00438



3 00403



3 00403



5 06207



5 06207



3 00403



11 00430



12 00425



13 00426



7 00422



11 00430



11 00430



12 00425



13 00426



9 00424



11 00430



Ref	Old code	CODE	Description	OE – Number	OE – Number	FEATURES	Ref	Old code	CODE	Description	OE – Number	OE – Number	FEATURES
1	FR013	00359	Stabilizer link	1107068 Part of	1111769 Part of	M10x1,5-238 mm (ALUMINIUM)	7	FR100-R	00422	Control arm complete-R	1046445	1046450	16,5-210 mm (MS)
2	FR010	00353	Stabilizer link	1004018	1067818	M10x1,5-238 mm	8	FR103-L	00423	Control arm complete-L	1063986	1448622	16,5-210 mm (PS / MS)
3	FR055	00403	Tie rod end	1032567	1032689	"04/2003 -> ALL EXC. 1.6 i 04/2003 -> 1.6 i"	9	FR103-R	00424	Control arm complete-R	1063985	1448621	16,5-210 mm (PS / MS)
							10	FR102	02335	Control arm w/o ball joint	1032100 Part of	1046445 Part of	MS-PS
4	FR142	00438	Axial joint	1659374	4048739	"1/2x20- M14x1,5-299 mm (04/2003 -> ALL EXC. 1.6 i)"	11	FR130	00430	Ball joint	1030025	1047797	16,5 (PS / MS)
5	-	06207	Axial joint	3S513L519AA	1250339	04/2003 -> 1.6 i	12	FR111	00425	Bushing	1000445	89FB3063AD	PS / MS Small
6	FR100-L	00421	Control arm complete-L	1046458	1046461	16,5-210 mm (MS)	13	FR112	00426	Bushing	1035929	91AB3A262AA	PS / MS Big

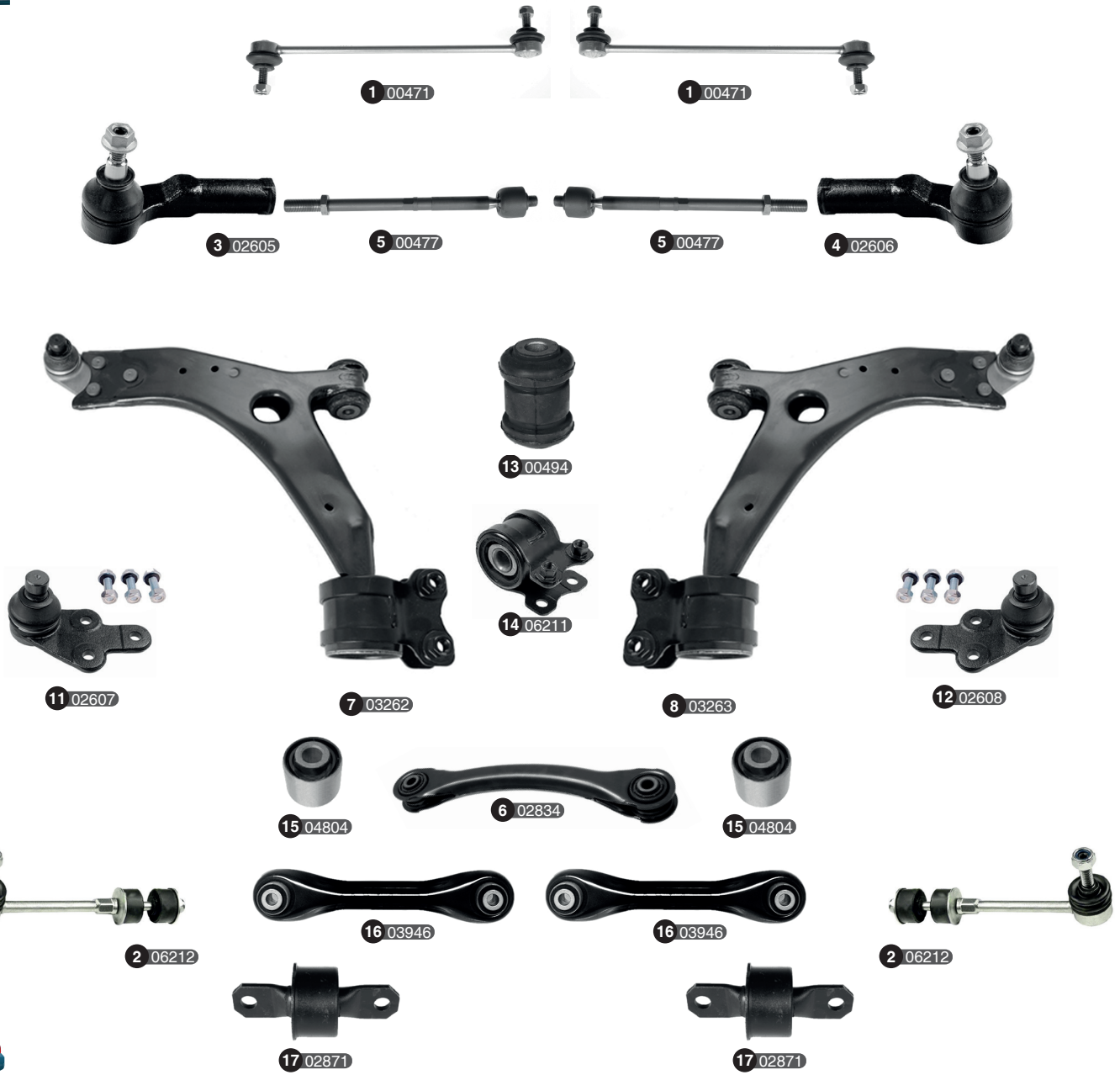




Ref	Old code	CODE	Description	OE - Number	OE - Number	FEATURES	Ref	Old code	CODE	Description	OE - Number	OE - Number	FEATURES
1	FI002	00218	Stabilizer link	1540281	50700464	M10x1,5-289 mm	5	-	06209	Control arm complete-L	1540244	1580514	-
2	-	02590	Tie rod end-L	1543820	1546259	-	6	-	06210	Control arm complete-R	1540246	1580515	-
3	-	02591	Tie rod end-R	1543821	1546260	-	7	-	02534	Bushing	1639574 Part of	1639575 Part of	Small
4	-	06208	Axial joint	1541354 Part of	1541355 Part of	-	8	-	07127	Bushing	1639574 Part of	1639575 Part of	14,5 - 52



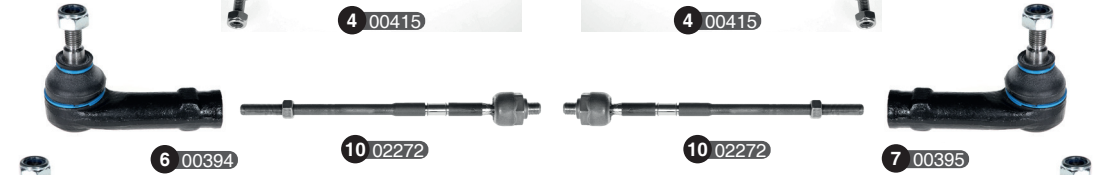
Ref	Old code	CODE	Description	OE - Number	OE - Number	FEATURES	Ref	Old code	CODE	Description	OE - Number	OE - Number	FEATURES
1	-	02165	Stabilizer link	1513343 Part of	1745924 Part of	M10x1,5-252 mm	7	-	02019	Control arm complete-R	1518904	1520778	17,5-337 mm
2	-	03389	Stabilizer link	1513343	1745924	M10x1,5-251,5 mm (ALUMINIUM)	8	-	03433	Control arm w/o ball joint-L	1521773 Part of	1532433 Part of	-
3	-	01973	Tie rod end-L	1545339	8V513C437AA	M12x1,75-Female-M14x1,5-93 mm	9	-	03434	Control arm w/o ball joint-R	1518904 Part of	1520778 Part of	-
4	-	01974	Tie rod end-R	1545338	8V513C367AA	M12x1,75-Female-M14x1,5-93 mm	10	-	02017	Ball joint	1518904 Part of	1520778 Part of	17,5
5	-	01972	Axial joint	1545457	8V513L519AA	M14x1,5-M14x1,5-294 mm	11	-	02053	Bushing	1518904 Part of	1520778 Part of	Small
6	-	02018	Control arm complete-L	1540725	1521773	17,5-337 mm	12	-	02052	Bushing	1518904 Part of	1737309 Part of	Big



Ref	Old code	CODE	Description	OE - Number	OE - Number	FEATURES	Ref	Old code	CODE	Description	OE - Number	OE - Number	FEATURES
1	FR210	00471	Stabilizer link	1223792	1230909	M10x1,5-298 mm	9	-	03264	Control arm w/o ball joint-L	1723324 Part of	8V412A424AB Part of	-
2	-	06212	Stabilizer link	1502681	1783320	REAR	10	-	03265	Control arm w/o ball joint-R	1723323 Part of	8V413A423AB Part of	-
3	-	02605	Tie rod end-L	1541488	8V413C437AA	-	11	-	02607	Ball joint-L	1502087 Part of	1723324 Part of	-
4	-	02606	Tie rod end-R	1541485	8V413C367AA	-	12	-	02608	Ball joint-R	1502086 Part of	1723323 Part of	-
5	FR218	00477	Axial joint	1251937	1510270	M16x1,5- M14x1,5-294 mm	13	FR233	00494	Bushing	1234371 Part of	1234375 Part of	Small
6	-	02834	Control arm complete	1061660	1136073	REAR	14	-	06211	Bushing	1502084		Big
7	-	03262	Control arm complete-L	1502087	1723324	-	15	-	04804	Bushing	1061659 Part of	1136072 Part of	118
8	-	03263	Control arm complete-R	1502086	1723323	-	16	-	03946	Track rod	1500111	1686587	REAR
							17	-	02871	Axle Bushing	1061670	1304124	-

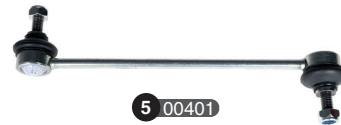


Ref	Old code	CODE	Description	OE - Number	OE - Number	FEATURES	Ref	Old code	CODE	Description	OE - Number	OE - Number	FEATURES
1	FR210	00471	Stabilizer link	1223792	1230909	M10x1,5-298 mm	9	-	03892	Control arm w/o ball joint-L	1781660	Part of 1793237	-
2	-	06212	Stabilizer link	1502681	1783320	REAR	10	-	03893	Control arm w/o ball joint-R	1781658	Part of 1793236	-
3	-	03249	Tie rod end-L	1714700	1748239	-	11	-	02607	Ball joint-L	1502087	Part of 1723324	-
4	-	03250	Tie rod end-R	1714576	1748237	-	12	-	02608	Ball joint-R	1502086	Part of 1723323	-
5	FR218	00477	Axial joint	1251937	1510270	M16x1,5-M14x1,5-294 mm	13	-	03248	Bushing	1702970	Part of 1702983	Big
6	-	02834	Control arm complete	1061660	1136073	REAR	14	-	03954	Bushing	1692849	31350696 Part of	-
7	-	03890	Control arm complete-L	1781660	1793237	-	15	-	03247	Bushing	1702970	Part of 1702983	Small
8	-	03891	Control arm complete-R	1781658	1793236	-	16	-	04804	Bushing	1061659	Part of 1136072	Part of 11.8
							17	-	03946	Track rod	1500111	1686587	REAR



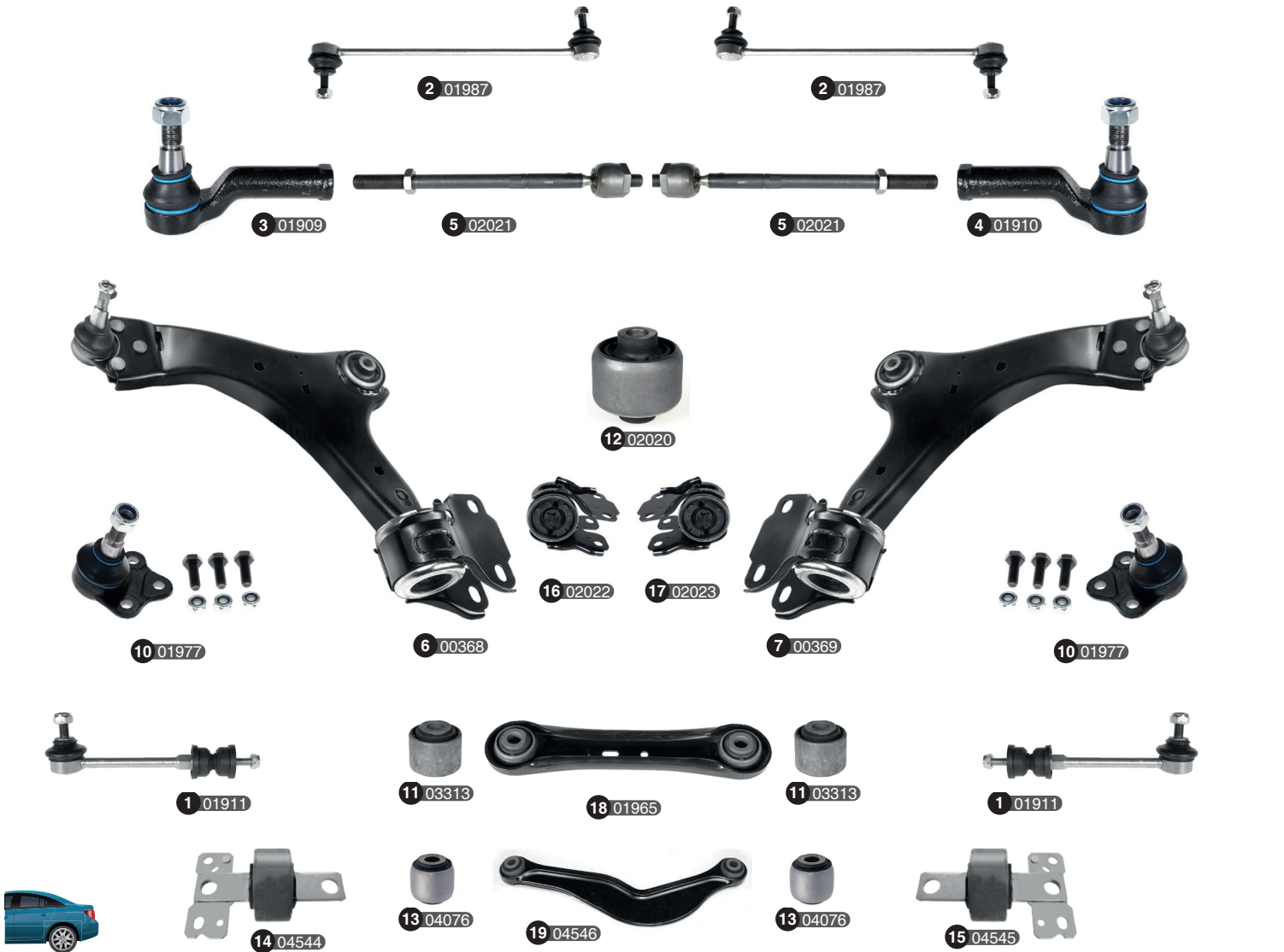


Ref	Old code	CODE	Description	OE – Number	OE – Number	FEATURES	Ref	Old code	CODE	Description	OE – Number	OE – Number	FEATURES
1	FR018	00361	Stabilizer link	1106269 Part of	5106995 Part of	M10x1,25-236 mm	12	-	01570	Axial joint	3903149	F5RC3280EA	"M16x1,5- M14x1,5-341 mm 15' TYRES 08/1996 ->"
2	FR029	00372	Stabilizer link	7014210	93BB5K566AC	M10x1,5-102 mm(REAR -> 10/1994)	13	FR225-L	00487	Control arm complete-L	1023028	1102949	321,04 mm (WITH TUBE WELDED)
3	FR030	00373	Stabilizer link	1039511	1054209	REAR 10/1994-07/1998	14	FR225-R	00488	Control arm complete-R	1023026	1102948	321,04 mm (WITH TUBE WELDED)
4	FR077	00415	Stabilizer link	1106269	5106995	M10x1,5-238 mm (ALUMINIUM)	15	FR006-L	00347	Control arm complete-L	1030278	1043158	313 mm
5	-	06213	Stabilizer link	1072435	1072446	REAR 07/1998 ->	16	FR006-R	00348	Control arm complete-R	1030277	1043159	19-322 mm
6	FR048-L	00394	Tie rod end-L	5027451	93BX3270AA	"14' TYRES ALL 15' TYRES -> 07/1996"	17	FR224-L	00485	Control arm w/o ball joint-L	1023028 Part of	1043158 Part of	267,5 mm
7	FR048-R	00395	Tie rod end-R	5027452	-	"14' TYRES ALL 15' TYRES -> 07/1996"	18	FR224-R	00486	Control arm w/o ball joint-R	1023026 Part of	1030277 Part of	267,5 mm
8	FR181-L	00461	Tie rod end-L	1035691	1097323	"M10x1,5-Female-M16x1,5-93 mm 15' TYRES 08/1996 ->"	19	FR005-L	00345	Control arm w/o ball joint-L	1030278 Part of	6954471 Part of	253 mm
9	FR181-R	00462	Tie rod end-R	1035690	1097316	"M10x1,5-Female-M16x1,5-93 mm 15' TYRES 08/1996 ->"	20	FR005-R	00346	Control arm w/o ball joint-R	1030277 Part of	1043159 Part of	313 mm
10	FR148	02272	Axial joint	6832049	7294416	15' TYRES -> 07/1996	21	FR120	00427	Ball joint	1023026 Part of	1023028 Part of	19
11	FR049	00396	Axial joint	3903147	6737692	"M16x1,5- M14x1,5-338 mm 14' TYRES ALL"	22	FR122	00429	Bushing	1023058	1074282	60.2
							23	FR226	00489	Bushing	6870549	93BB3A262BA	54
							24	FR121	00428	Bushing	6790115	93BB3063AA	47

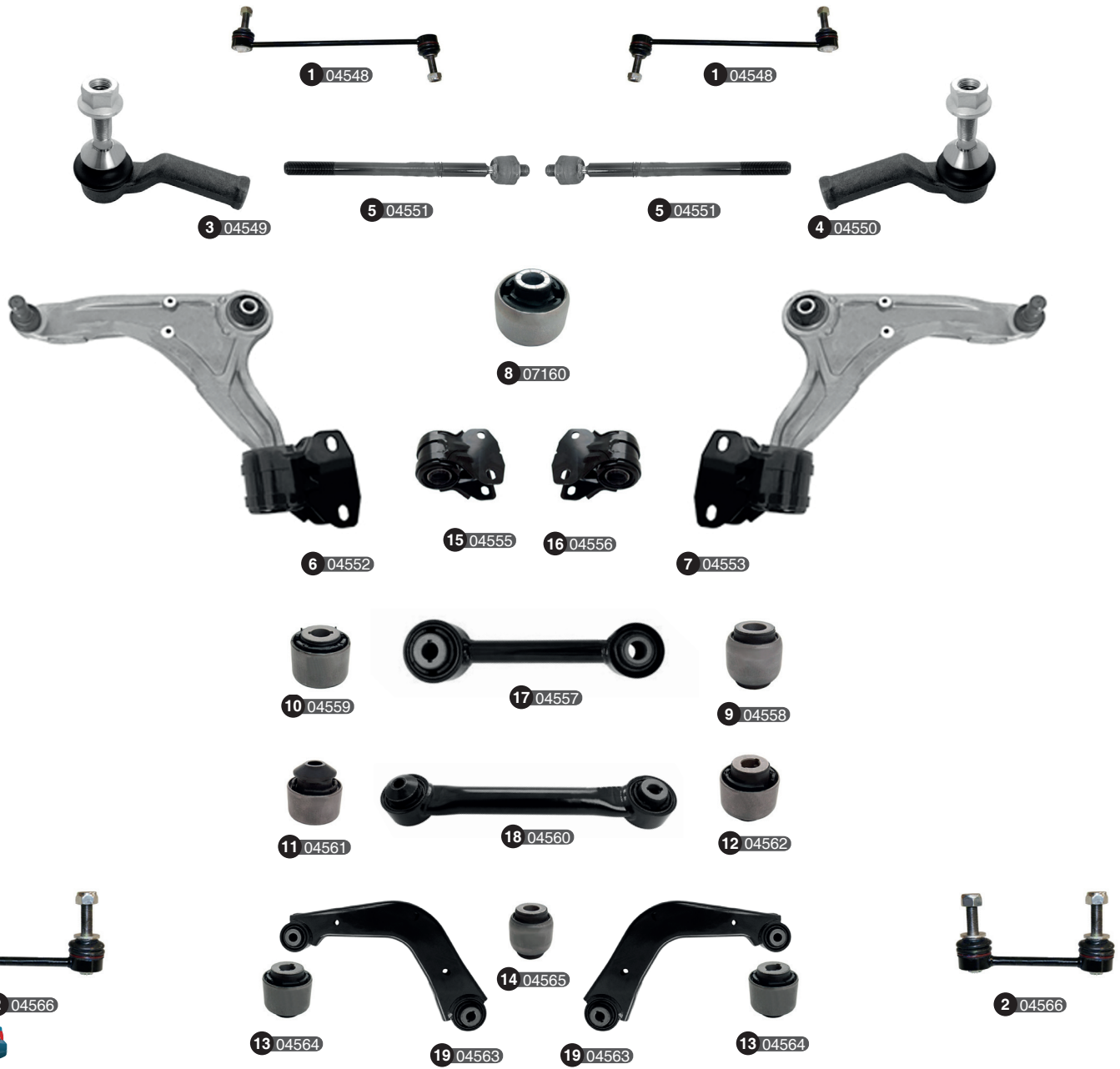




Ref	Old code	CODE	Description	OE - Number	OE - Number	FEATURES	Ref	Old code	CODE	Description	OE - Number	OE - Number	FEATURES
1	FR054	00402	Stabilizer link	1117800	1127648	M10x1,5-253,5 mm (REAR)	7	FR052	00400	Axial joint	1S7C3280BB	4097484	M16x1,5- M14x1,5-345 mm
2	FR075	00413	Stabilizer link	1117698 Part of	1127646 Part of	M10x1,5-249,5 mm (PLASTIC)	8	FR043-L	00388	Control arm complete-L	1116579	1139928	-
3	FR076	00414	Stabilizer link	1117801	1130452	M10x1,5-86 mm (REAR ESTATE)	9	FR043-R	00389	Control arm complete-R	1116578	1139926	-
4	-	02879	Stabilizer link	1152952	2S715C486AA	M10x1,25-221 mm(REAR SEDAN / HATCHBACK)	10	FR042-L	00386	Control arm w/o ball joint-L	1116579 Part of	1131387 Part of	-
5	FR053	00401	Stabilizer link	1117698	1127646	M10x1,5-249 mm (METAL)	11	FR042-R	00387	Control arm w/o ball joint-R	1116578 Part of	1131386 Part of	-
6	FR051	00399	Tie rod end	1138313	1138314	M10x1,5-Female-M16x1,5-92,5 mm	12	FR046	00393	Ball joint	15713395AC Part of	1203924 Part of	21
							13	FR203	00465	Bushing	1203924 Part of	1116578 Part of	Small
							14	FR204	00466	Bushing	1311416 Part of	1311417 Part of	Big



Ref	Old code	CODE	Description	OE – Number	OE – Number	FEATURES	Ref	Old code	CODE	Description	OE – Number	OE – Number	FEATURES
1	-	01911	Stabilizer link	1377416	1425853	M10x1,25-180 mm (REAR)	10	-	01977	Ball joint	1469026 Part of	7G9N2A053BA	M14x1,5
2	-	01987	Stabilizer link	1377849	30648461	M10x1,5-299 mm	11	-	03313	Bushing	1377449 Part of	1381443 Part of	-
3	-	01909	Tie rod end-L	1433274	30776249	M14x1,5-Female-M18x1,5-112 mm	12	-	02020	Bushing	1466186 Part of	1466188 Part of	Small
4	-	01910	Tie rod end-R	1433273	30776248	M14x1,5-Female-M18x1,5-112 mm	13	-	04076	Bushing	1457609 Part of	30748375 Part of	-
5	-	02021	Axial joint	1433271	30776250	M18x1,5-M16x1,5-315 mm	14	-	04544	Bushing-L	1865033	31277755 Part of	-
6	FR026-L	00368	Control arm complete-L	1466188	1469026	M14x1,5-354,8 mm	15	-	04545	Bushing-R	1865034	31277754 Part of	-
7	FR026-R	00369	Control arm complete-R	1466186	1469024	M14x1,5-354,8 mm	16	-	02022	Bushing-L	1466188 Part of	1469026 Part of	Big
8	FR025-L	00366	Control arm w/o ball joint-L	1466188 Part of	LR002625 Part of	-	17	-	02023	Bushing-R	1466186 Part of	1469024 Part of	Big
9	FR025-R	00367	Control arm w/o ball joint-R	1466186 Part of	LR002624 Part of	-	18	-	01965	Track rod	1377449	1381443	195 mm-195 mm-12,2-35 mm
							19	-	04546	Track rod	1457609	-	-



Ref	Old code	CODE	Description	OE - Number	OE - Number	FEATURES	Ref	Old code	CODE	Description	OE - Number	OE - Number	FEATURES
1	-	04548	Stabilizer link	5182780	-	-	10	-	04559	Bushing	5288317 Part of	-	14.1
2	-	04566	Stabilizer link	5182818	-	REAR	11	-	04561	Bushing	5197081 Part of	-	12.1
3	-	04549	Tie rod end-L	1802977	-	-	12	-	04562	Bushing	5197081 Part of	-	14.2
4	-	04550	Tie rod end-R	1802974	-	-	13	-	04564	Bushing	1801446 Part of	-	14.1
5	-	04551	Axial joint	1824228	-	-	14	-	04565	Bushing	1801446 Part of	-	12.1
6	-	04552	Control arm complete-L	1927132	5303329	-	15	-	04555	Bushing-L	1927132 Part of	5303329 Part of	Big
7	-	04553	Control arm complete-R	1927131	5303328	-	16	-	04556	Bushing-R	1927131 Part of	5303328 Part of	Big
8	-	07160	Bushing	1927131 Part of	1927132 Part of	Small	17	-	04557	Track rod	5288317	-	-
9	-	04558	Bushing	5288317 Part of	-	14.2	18	-	04560	Track rod	5197081	-	-
							19	-	04563	Track rod	1801446	-	EXC. 4WD



Ref	Old code	CODE	Description	OE - Number	OE - Number	FEATURES
1	FR079	00416	Tie rod end	1447222	5021410	-



Ref	Old code	CODE	Description	OE - Number	OE - Number	FEATURES	Ref	Old code	CODE	Description	OE - Number	OE - Number	FEATURES
1	FR010	00353	Stabilizer link	1004018	1071336	M10x1,5-238 mm	6	-	00404	Axial joint	6197238	91AB3L519CB	M14x2- M14x1,5-308 mm (PS)
2	-	00359	Stabilizer link	1107068 Part of	1111769 Part of	M10x1,5-238 mm (ALUMINIUM)	7	-	00343	Control arm complete-L	1058280	6525844	253 mm
3	-	00391	Tie rod end-L	1015547	6555938	M10x1,25-Female- M14x1,5-75 mm(MS / PS)	8	-	00344	Control arm complete-R	1058279	6770224	253 mm
4	-	00392	Tie rod end-R	5015546	7243564	M10x1,5-Female- M14x2-75 mm(MS / PS)	9	-	00342	Control arm w/o ball joint	1058279 Part of	6525844 Part of	-
5	-	00390	Axial joint	1024130	6180350	M14x1,5- M14x1,5-323 mm (MS)	10	-	00420	Ball joint	1033616	1047853	17
							11	-	00425	Bushing	1000445	89FB3063AD	Small
							12	-	00426	Bushing	1035929	91AB3A262AA	Big



Ref	Old code	CODE	Description	OE - Number	OE - Number	FEATURES	Ref	Old code	CODE	Description	OE - Number	OE - Number	FEATURES
1	FR010	00353	Stabilizer link	1004018	1067818	M10x1,5-238 mm	7	FR009-R	00352	Control arm complete-R	1003575	1015260	17,5-305 mm
2	-	00359	Stabilizer link	1107068 Part of	1111769 Part of	M10x1,5-238 mm (ALUMINIUM)	8	-	02257	Control arm w/o ball joint-L	1003585 Part of	1009596 Part of	-
3	FR050-L	00397	Tie rod end-L	1011858	1020175	M10x1,5-Female-M14x2-75 mm	9	-	02258	Control arm w/o ball joint-R	1003575 Part of	1015260 Part of	-
4	FR050-R	00398	Tie rod end-R	1011857	1020174	M10x1,5-Female-M14x2-75 mm	10	FR130	00430	Ball joint	1030025	1047797	16,5
5	FR036	00380	Axial joint	1044014	1E0032240	M14x2-M14x1,5-307 mm	11	FR131	00431	Bushing	1010037	1055191	Small
6	FR009-L	00351	Control arm complete-L	1003585	1015264	17,5-305 mm	12	FR132	00432	Bushing	1004011	1014654	Big



Ref	Old code	CODE	Description	OE - Number	OE - Number	FEATURES	Ref	Old code	CODE	Description	OE - Number	OE - Number	FEATURES
1	-	04593	Stabilizer link	3754149	9YA001002	-	5	-	06193	Ball joint	8AU234510	3665782	2WD / LOWER
2	-	06189	Tie rod end	3669079	UB3932280	2WD	6	-	06194	Ball joint	3665787	8AU334510	4WD / LOWER
3	-	06190	Tie rod end	3665759	UH7432250	ALL							
4	-	06191	Tie rod end	3669093	UH7432280	4WD	7	-	04601	Ball joint	3665732	8AU134510	UPPER



1 04593



1 04593



2 04594



2 04594



3 04596

RIDE HEIGHT PACK



3 04596

RIDE HEIGHT PACK



4 04595

STANDARD CHASSIS



4 04595

STANDARD CHASSIS



8 04602



5 04597
STANDARD CHASSIS

6 04598
STANDARD CHASSIS



7 04611



7 04611



8 04602



9 04603
RIDE HEIGHT PACK

10 04604
RIDE HEIGHT PACK



7 04601



7 04601





7 04611



11 04612

STANDARD CHASSIS



5 04611



12 04613

RIDE HEIGHT PACK



14 04613



11 04612



13 04614

RIDE HEIGHT PACK



14 04617

14 04617



Ref	Old code	CODE	Description	OE - Number	OE - Number	FEATURES	Ref	Old code	CODE	Description	OE - Number	OE - Number	FEATURES
1	-	04593	Stabilizer link	3754149	9YA001002	-	8	-	04602	BUSHING	1456059	UR5634470B	-
2	-	04594	Tie rod end	1454896	6M343280AA	-	9	-	04603	CONTROL ARM LH (UPPER) (COMPLETE)	1522447	3665721	-
3	-	04596	Tie rod end	1454898	6M343289BA	RIDE HEIGHT PACK	10	-	04604	CONTROL ARM RH (UPPER) (COMPLETE)	1522050	UH7534210A	-
4	-	04595	Tie rod end	1454897	6M343289AA	"STANDARD CHASSIS	11	-	04612	BUSHING	1451499	4441372	-
5	-	04597	CONTROL ARM LH (UPPER) (COMPLETE)	UH7234260B	1514568	-	12	-	04613	CONTROL ARM LH (LOWER) (COMPLETE)	1484028	UR6134350B	-
6	-	04598	CONTROL ARM RH (UPPER) (COMPLETE)	4931276	UH7234210A	-	13	-	04614	CONTROL ARM RH (LOWER) (COMPLETE)	UR6134300B	1484027	-
7	-	04611	Ball joint	1454901	UR5834550	-	14	-	04617	Ball joint	1454902	UR6134550	-





Ref	Old code	CODE	Description	OE – Number	OE – Number	FEATURES	Ref	Old code	CODE	Description	OE – Number	OE – Number	FEATURES
1	-	04569	Stabilizer link	AB313052AA	1732869	-	12	-	04577	Ball joint	1723686	UC2R34540A	-
2	-	08123	STABILIZER LINK LH	AB313053CA PART OF	UC7C34170 PART OF	-	13	-	04578	BUSHING	1727222	AB313068BB	-
3	-	08124	STABILIZER LINK RH	UC7C34150 PART OF	1732872 PART OF	-	14	-	04583	CONTROL ARM LH (LOWER) (COMPLETE)	1723680	1727929	-
4	-	04567	Stabilizer link	1732874	AB313053CA	-	15	-	04584	CONTROL ARM RH (LOWER) (COMPLETE)	1813944	UC2R34300F	-
5	-	04568	Stabilizer link	1732872	AB313052CA	-	16	-	04587	BALL JOINT (LOWER)	AB313395AA	1727228	-
6	-	04570	Tie rod end L	1729240	1729241	-	17	-	04588	BUSHING	UC3C34450A	AB313A493BB	-
7	-	04571	Tie rod end R	AB313289AA	UC2M32280	-	18	-	04589	BUSHING	1731075	1727223	-
8	-	04572	AXIAL JOINT	AB313280AB	UC2M3224XA	-	19	-	04590	BUSHING	1730589	UC2R28450D	-
9	-	04727	Tie rod end R	AB313289BA	UC2N32280	-	20	-	04591	BUSHING	1729347	UC2R28480B	-
10	-	04579	CONTROL ARM LH (UPPER) (COMPLETE)	5232167	UC3C34250D	-	21	-	04592	BUSHING	1729345	UC2R28470B	-
11	-	04580	CONTROL ARM RH (UPPER) (COMPLETE)	1725696	5232166	-							

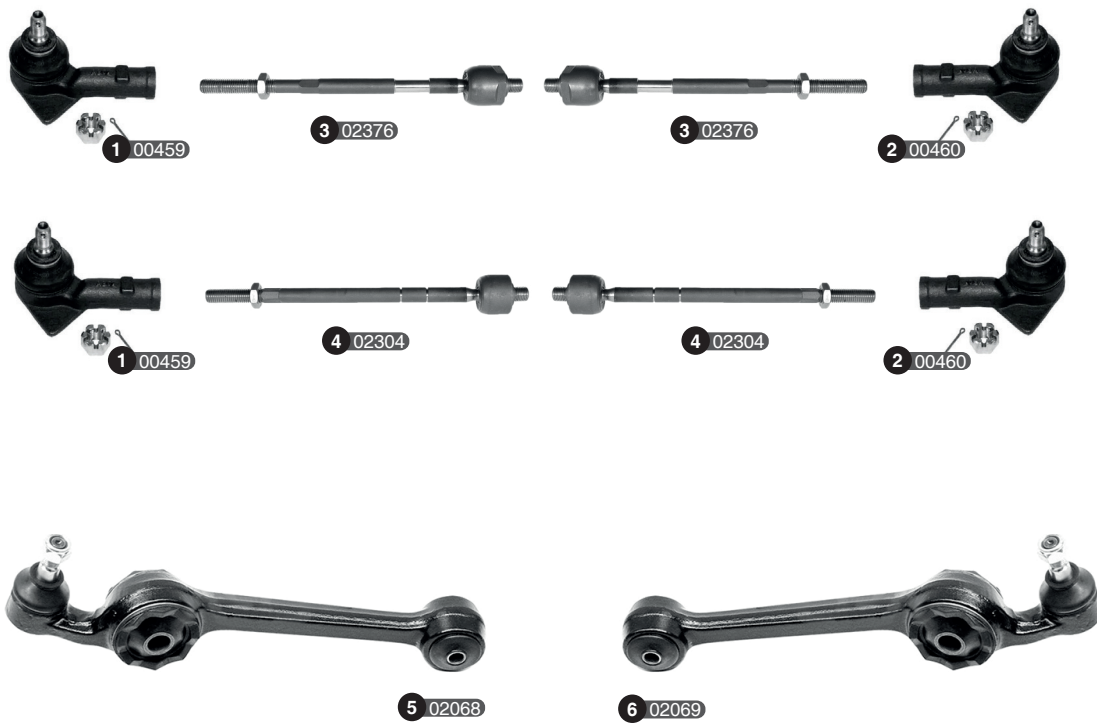




Ref	Old code	CODE	Description	OE - Number	OE - Number	FEATURES	Ref	Old code	CODE	Description	OE - Number	OE - Number	FEATURES
1	-	00459	Tie rod end-L	5021414	6120232	M10x1,25-Female-M14x2-75 mm (4X4)	3	-	02304	Axial joint	6185338	87GB3L519BA	M14x2-M14x1,5-291 mm (EXC. 4X4)
2	-	00460	Tie rod end-R	5021413	6120231	M10x1,25-Female-M14x2-75 mm (4X4)							



Ref	Old code	CODE	Description	OE - Number	OE - Number	FEATURES	Ref	Old code	CODE	Description	OE - Number	OE - Number	FEATURES
1	-	02874	Stabilizer link	1045413	1144424	-	4	-	02875	Axial joint	1029836	7292960	M14x1,5- M16x1,5-309 mm
2	-	02872	Tie rod end-L	5030221	-	-							
3	-	02873	Tie rod end-R	5030222	95GX3270BA	-							



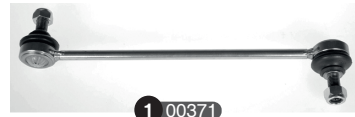
Ref	Old code	CODE	Description	OE - Number	OE - Number	FEATURES	Ref	Old code	CODE	Description	OE - Number	OE - Number	FEATURES
1	FR179-L	00459	Tie rod end-L	5021414	6120232	"M10x1,25-Female-M14x2-75 mm EXC. COSWORTH COSWORTH"	3	FR172	02376	Axial joint	1613026	6112255	"M14x2-M14x1,5-283 mm EXC. COSWORTH"
2	FR179-R	00460	Tie rod end-R	5021413	6120231	"M10x1,25-Female-M14x2-75 mm EXC. COSWORTH COSWORTH"	4	-	02304	Axial joint	6185338	87GB3L519BA	M14x2-M14x1,5-291 mm(COSWORTH)
							5	-	02068	Track control arm complete-L	5021461	6133284	EXC. COSWORTH / 4X4
							6	-	02069	Track control arm complete-R	5021460	6114614	EXC. COSWORTH / 4X4



Ref	Old code	CODE	Description	OE - Number	OE - Number	FEATURES	Ref	Old code	CODE	Description	OE - Number	OE - Number	FEATURES
1	FR010	00353	Stabilizer link	1004018	1067818	M10x1,5-238 mm	3	FR055	00403	Tie rod end	1032567	1032689	-
2	FR013	00359	Stabilizer link	1107068 Part of	1111769 Part of	M10x1,5-238 mm (ALUMINIUM)	4	-	06207	Axial joint	1250339	3S513L519AA	-



1 00371



1 00371



3 00410



4 03848



3 00410



9 00409



12 03846



11 03845

5 03837



6 03838

9 00409



10 02882



12 03846



11 03845

7 03841



8 03842

10 02882



2 03849



2 03849



Ref	Old code	CODE	Description	OE – Number	OE – Number	FEATURES	Ref	Old code	CODE	Description	OE – Number	OE – Number	FEATURES
1	FR028	00371	Stabilizer link	1495685	1763714	M12x1,5-290 mm	8	-	03842	Control arm complete-R	1810330	1828699	REINFORCED SUSPENSION
2	-	03849	Stabilizer link	1810747	1824008	REAR	9	FR071	00409	Ball joint	1451914	1417352	M16x1,5 (STANDARD SUSPENSION)
3	FR072	00410	Tie rod end	1138275	1370741	M14x2-Female-M26x1,5-90 mm	10	-	02882	Ball joint	1417351	1451917	REINFORCED SUSPENSION
4	-	03848	Axial joint	1763991	BK213L519AA	-	11	-	03845	Bushing	BK213A262AC		"STANDARD SUSPENSION REINFORCED SUSPENSION" Big
5	-	03837	Control arm complete-L	1763702	1791958	STANDARD SUSPENSION							
6	-	03838	Control arm complete-R	1763701	1764289	STANDARD SUSPENSION							
7	-	03841	Control arm complete-L	1810331	1828700	REINFORCED SUSPENSION	12	-	03846	Bushing	BK213059A		"STANDARD SUSPENSION REINFORCED SUSPENSION" Small





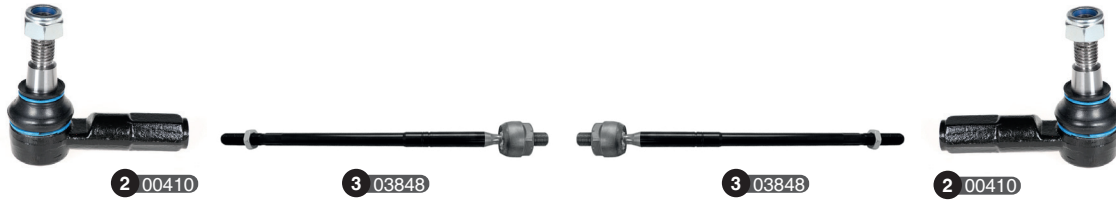
Ref	Old code	CODE	Description	OE - Number	OE - Number	FEATURES	Ref	Old code	CODE	Description	OE - Number	OE - Number	FEATURES
1	FR032	00375	Stabilizer link	1332463	2T145C486AB	M12x1,5-132 mm (REAR)	6	FR152-L	00447	Control arm complete-L	1332455	1355050	344 mm-1.6 Q-Casting
2	FR033	00376	Stabilizer link	1332453	2T143B438BA	M10x1,5-237 mm	7	FR152-R	00448	Control arm complete-R	1332454	1355048	344 mm-1.6 Q-Casting
3	-	03405	Stabilizer link	1332453 Part of	2T143B438BA Part of	M10x1,5-238,5 mm	8	FR071	00409	Ball joint	1417352	1451914	M16x1,5
4	FR151	00446	Tie rod end	2T143289AA	4381840	M10x1,5-Female-M14x2-73 mm	9	FR149	00444	Bushing	2T143063AA	4366976	Small
5	FR174	00458	Axial joint	1085520	98AG3L519AA	M14x2-M14x1,5-343 mm	10	FR150	00445	Bushing	2T143A262AA	-	Big



Ref	Old code	CODE	Description	OE - Number	OE - Number	FEATURES	Ref	Old code	CODE	Description	OE - Number	OE - Number	FEATURES
1	FR210	00471	Stabilizer link	1223792	1230909	M10x1,5-298 mm	8	-	05580	Control arm w/o ball joint-R	1893094 Part of	1933112 Part of	-
2	-	03249	Tie rod end-L	1714700	1748239	-	9	-	03242	Ball joint-L	1702983 Part of	1709466 Part of	21
3	-	03250	Tie rod end-R	1714576	1748237	-	10	-	03314	Ball joint-R	1702970 Part of	1709423 Part of	21
4	FR218	00477	Axial joint	1251937	1510270	M16x1,5- M14x1,5-294 mm	11	FR233	00494	Bushing	1234371 Part of	1234375 Part of	Small
5	-	05577	Control arm complete-L	1893095	1933035	-	12	-	05583	Bushing-L	1806880	2246227	Big
6	-	05578	Control arm complete-R	1893094	1933112	-	13	-	06077	Bushing-R	2247269	2247271	Big
7	-	05579	Control arm w/o ball joint-L	1893095 Part of	1933035 Part of	-							



Ref	Old code	CODE	Description	OE - Number	OE - Number	FEATURES	Ref	Old code	CODE	Description	OE - Number	OE - Number	FEATURES
1	-	03389	Stabilizer link	1513343	1745924	M10x1,5-251,5 mm (ALUMINIUM)	7	-	03693	Control arm complete-R	1751952	1834054	17,5-337 mm
2	-	02165	Stabilizer link	1513343 Part of	1745924 Part of	M10x1,5-252 mm	8	-	03695	Control arm w/o ball joint-L	1834055 Part of	EY163051AA Part of	-
3	-	01973	Tie rod end-L	1545339	8V513C437AA	M12x1,75-Female-M14x1,5-93 mm	9	-	03696	Control arm w/o ball joint-R	1834054 Part of	EY163042AA Part of	-
4	-	01974	Tie rod end-R	1545338	8V513C367AA	M12x1,75-Female-M14x1,5-93 mm	10	-	02017	Ball joint	1518904 Part of	1520778 Part of	17,5
5	-	01972	Axial joint	1545457	8V513L519AA	M14x1,5-M14x1,5-294 mm	11	-	02052	Bushing	1737309 Part of	1834054 Part of	Big
6	-	03692	Control arm complete-L	1751955	1834055	17,5-337 mm	12	-	03694	Bushing	1751952 Part of	1751955 Part of	Small



Ref	Old code	CODE	Description	OE - Number	OE - Number	FEATURES	Ref	Old code	CODE	Description	OE - Number	OE - Number	FEATURES
1	FR028	00371	Stabilizer link	1495685	1763714	M12x1,5-290 mm	5	-	03838	Control arm complete-R	1763701	1764289	-
2	FR072	00410	Tie rod end	1138275	1370741	M14x2-Female-M26x1,5-90 mm	6	FR071	00409	Ball joint	1417352	1451914	M16x1,5
3	-	03848	Axial joint	1763991	BK213L519AA	-	7	-	03845	Bushing	BK213A262AC	-	Big
4	-	03837	Control arm complete-L	1763702	1764290	-	8	-	03846	Bushing	BK213059A	-	Small



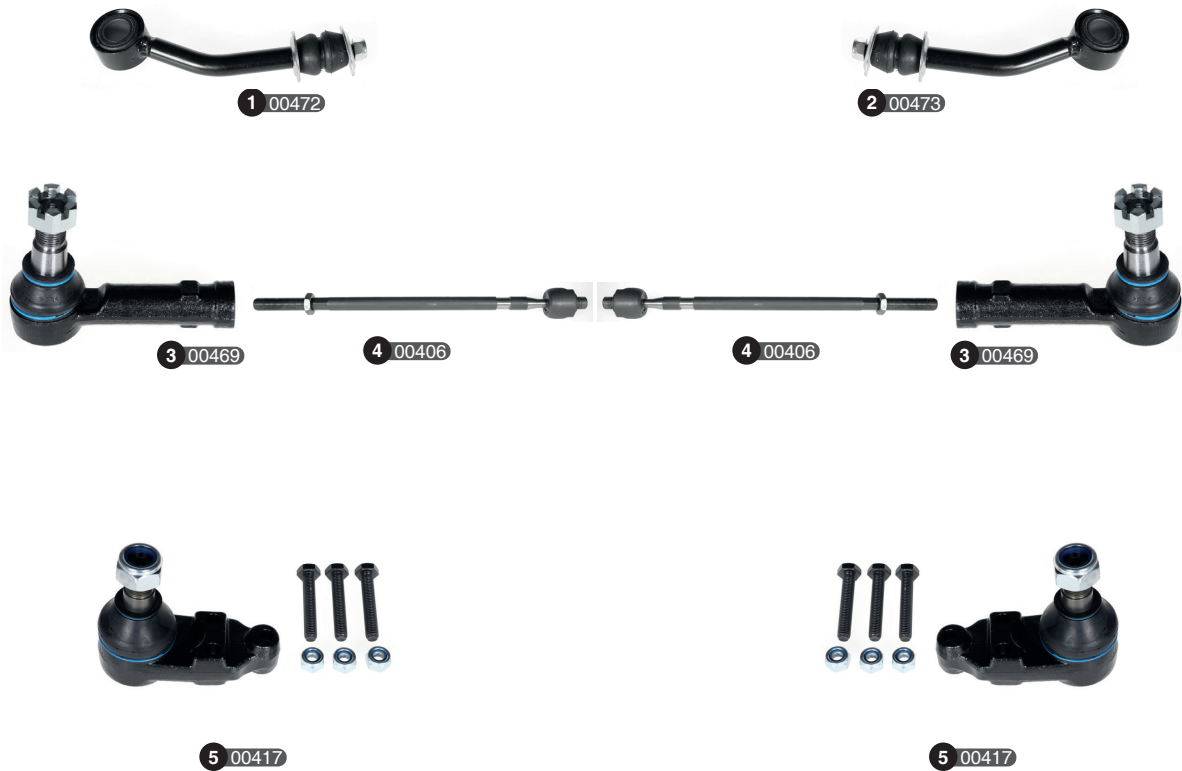
Ref	Old code	CODE	Description	OE – Number	OE – Number	FEATURES	Ref	Old code	CODE	Description	OE – Number	OE – Number	FEATURES
1	-	00418	Tie rod end-L	1796516	5021444	M14x1,5-Male-M20x1,5-95 mm	2	-	00419	Tie rod end-R	622170	1796515	M14x1,5-Male-M20x1,5-95 mm



Ref	Old code	CODE	Description	OE - Number	OE - Number	FEATURES	Ref	Old code	CODE	Description	OE - Number	OE - Number	FEATURES
1	FR066	00405	Tie rod end	5021445	6156456	MS	5	FR206-L	00467	Tie rod end-L	4607348	5021447	"M16x1,5-Male-M20x1,5 LHT-94,5 mm 08/1987 - 09/1991"
2	FR069	00408	Tie rod end	5021441	5021442	09/1985 - 08/1987							
3	-	00418	Tie rod end-L	1796516	5021444	"M14x1,5-Male-M20x1,5-95 mm 09/1985 - 08/1987"	6	FR206-R	00468	Tie rod end-R	4607248	5021446	"M16x1,5-Male-M20x1,5 LHT-94,5 mm 08/1987 - 09/1991"
4	-	06216	Tie rod end-R	5021443	6148996	"M14x1,5-Male-M20x1,5-95 mm 09/1985 - 08/1987"							



Ref	Old code	CODE	Description	OE - Number	OE - Number	FEATURES	Ref	Old code	CODE	Description	OE - Number	OE - Number	FEATURES
1	-	00472	Stabilizer link-L	6150971	86VB3B439AA	-	4	-	00406	Axial joint	6156463	6869951	M16x1,5- M16x1,5-401 mm
2	-	00473	Stabilizer link-R	6150970	86VB3B438AA	-	5	-	00407	Ball joint	1658595	5021430	-
3	-	00408	Tie rod end	5021441	6156450	-							



Ref	Old code	CODE	Description	OE - Number	OE - Number	FEATURES	Ref	Old code	CODE	Description	OE - Number	OE - Number	FEATURES
1	-	00472	Stabilizer link-L	6150971	86VB3B439AA	-	4	-	00406	Axial joint	6156463	6869951	M16x1,5- M16x1,5-401 mm
2	-	00473	Stabilizer link-R	6150970	86VB3B438AA	-							
3	-	00469	Tie rod end	1047145	6517364	M16x1,5-Female- M16x1,5-100 mm	5	-	00417	Ball joint	5025676	6924365	M20x1,5

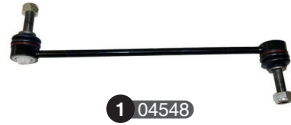


TRANSIT V (FY) (V184) (06/2000-12/2006)
TRANSIT VI (TT9) (V347) (04/2006-08/2016)



Ref	Old code	CODE	Description	OE – Number	OE – Number	FEATURES	Ref	Old code	CODE	Description	OE – Number	OE – Number	FEATURES
1	-	02885	Stabilizer link	3736028	4041494	"195 mm(FRONT 260/280/300 SERIES)"	9	-	03758	Control arm complete-R	1438315	1495666	NORMAL CHASSIS
2	FR028	00371	Stabilizer link	1495685	1763714	M12x1,5-290 mm (330/350 SERIES)	10	-	06214	Control arm complete-L	1371228	1495684	TT9 REINFORCED / RWD
3	-	00374	Stabilizer link	4346344	4440885	Long-M12x1,75-347 mm (REAR)	11	-	06215	Control arm complete-R	1371231	1495683	TT9 REINFORCED / RWD
4	-	02884	Stabilizer link	01YC155C486AE	4042068	Short-M12x1,75-312 mm (REAR)	12	FR071	00409	Ball joint	1451914	1417352	M16x1,5
5	FR072	00410	Tie rod end	1138275	1370741	M14x2-Female-M26x1,5-90 mm	13	-	02882	Ball joint	1417351	1451917	TT9 REINFORCED / RWD
6	FR073-L	00411	Axial joint-L	1370709	4602028	M16x1,5-M16x1,5-384 mm	14	-	02343	Bushing	4042024	YC153A262AD	"NORMAL CHASSIS TT9 REINFORCED / RWD" Big
7	FR073-R	00412	Axial joint-R	1370710	4059924	M16x1,5-M20x1,5-384 mm	15	-	02883	Bushing	4041550	4131788	"NORMAL CHASSIS TT9 REINFORCED / RWD" Small
8	-	03757	Control arm complete-L	1438318	1438350	NORMAL CHASSIS							





1.5 / 2.0 L DIESEL
1.5 L (120PS) PETROL

1.5 / 2.0 L DIESEL
1.5 L (120PS) PETROL



1.0 / 1.5 L PETROL

1.0 / 1.5 L PETROL





22 07671

STANDARD REAR AXLE



22 07671

STANDARD REAR AXLE



23 07672

MULTILINK REAR AXLE



23 07672

MULTILINK REAR AXLE



16 07673



16 07673



17 07674



17 07674



19 07676



18 07675

SALOON / HATCHBACK



20 07677



18 07675

SALOON / HATCHBACK



19 07676



19 07676



21 07678

ESTATE



20 07677



21 07678

ESTATE



19 07676



2 07679

SALOON HATCH



2 07679

SALOON HATCH



3 07680

ESTATE



3 07680

ESTATE



4 07681

ACTIVE ESTATE



4 07681

ACTIVE ESTATE





Ref	Old code	CODE	Description	OE - Number	OE - Number	FEATURES	Ref	Old code	CODE	Description	OE - Number	OE - Number	FEATURES
1	-	04548	STABILIZER LINK	2216271	2286405	-	13	-	07666	CONTROL ARM-LH (LOWER) (COMPLETE)	2216267	-	-
2	-	07679	STABILIZER LINK (REAR)	2173832	-	-	14	-	07667	CONTROL ARM-RH (LOWER) (COMPLETE)	2216265	-	-
3	-	07680	STABILIZER LINK (REAR)	2200512	2346598	-	15	-	07670	BUSHING	2216263	-	-
4	-	07681	STABILIZER LINK (REAR)	2311850	-	-	16	-	07673	TRACK ROD (REAR)	2200527	-	-
5	-	07654	TIE ROD END-LH	2194040	-	-	17	-	07674	TRACK ROD (REAR)	2216285	-	-
6	-	07655	TIE ROD END-RH	2194042	-	-	18	-	07675	TRACK CONTROL ARM (REAR)	2200522	2281101	-
7	-	07656	AXIAL JOINT	2194056	-	-	19	-	07676	BUSHING	2274948 PART OF	2281101 PART OF	-
8	-	07657	CONTROL ARM-LH (LOWER) (COMPLETE)	2203138	-	-	20	-	07677	BUSHING	2274948 PART OF 1	2281101 PART OF 1	-
9	-	07658	CONTROL ARM-RH (LOWER) (COMPLETE)	2203137	-	-	21	-	07678	TRACK CONTROL ARM (REAR)	2200524	2274948	-
10	-	07663	BALL JOINT (LOWER)	2203137 PART OF 2	2203138 PART OF 2	-	22	-	07671	BUSHING	2263175	-	-
11	-	07664	BUSHING	2203137 PART OF 3	2203138 PART OF 3	-	23	-	07672	BUSHING	2250256	-	-
12	-	07665	BUSHING	2216261	JX613A262AEA	-	24	-	07958	STABILIZER LINK	2216271 PART OF	2286405 PART OF	-



PLATE TCA



8 07664



9 07670
with HYDRO SB



6 08180



7 08181

4 08172
with HYDRO SB

5 08173
with HYDRO SB

ALU TCA



10 08182



8 07664



12 08184



11 08183



13 07673



13 07673



14 08185



14 08185



15 08186



15 08186



Ref	Old code	CODE	Description	OE – Number	OE – Number	FEATURES	Ref	Old code	CODE	Description	OE – Number	OE – Number	FEATURES
1	-	08074	Stabilizer link	2451509	LX613B438AEA	-	9	-	07670	BUSHING	2216263	2446227 PART OF 3	-
2	-	08170	Tie rod end-L	2500067	-	-	10	-	08182	CONTROL ARM LH (LOWER) (COMPLETE)	2451507	-	-
3	-	08171	Tie rod end-R	2500065	-	-	11	-	08183	CONTROL ARM RH (LOWER) (COMPLETE)	2451505	-	-
4	-	08172	CONTROL ARM LH (LOWER) (COMPLETE)	2446227	-	-	12	-	08184	BUSHING	2451505 PART OF 1	2451507 PART OF 1	-
5	-	08173	CONTROL ARM RH (LOWER) (COMPLETE)	2446223	-	-							
6	-	08180	BALL JOINT LH (LOWER)	2446227 PART OF 4	-	-	13	-	07673	TRACK ROD (REAR)	2200527	2428955	-
7	-	08181	BALL JOINT RH (LOWER)	2446223 PART OF 4	-	-							
8	-	07664	BUSHING	2203137 PART OF 3	2216265 PART OF 2	-	14	-	08185	TRACK ROD	2451575	-	-
							15	-	08186	Stabilizer link	2416280	-	-





Ref	Old code	CODE	Description	OE - Number	OE - Number	FEATURES	Ref	Old code	CODE	Description	OE - Number	OE - Number	FEATURES
1	-	02165	Stabilizer link	1513343 Part of	1745924 Part of	M10x1,5-252 mm	7	-	08108	CONTROL ARM RH (LOWER) (COMPLETE)	2422614	-	-
2	-	03389	Stabilizer link	1513343	1745924	M10x1,5-251,5 mm (ALUMINIUM)	8	-	08109	BALL JOINT LH (LOWER)	2422615 PART OF	-	-
3	-	08104	TIE ROD END LH	2413063	-	-	9	-	08111	BUSHING	2422615 PART OF 1	-	-
4	-	08105	TIE ROD END RH	2413061	-	-	10	-	08112	BUSHING	2422614 PART OF 1	-	-
5	-	08106	AXIAL JOINT	2415168	-	-	11	-	06187	BUSHING	2113276	2167812	-
6	-	08107	CONTROL ARM LH (LOWER) (COMPLETE)	2422615	-	-							