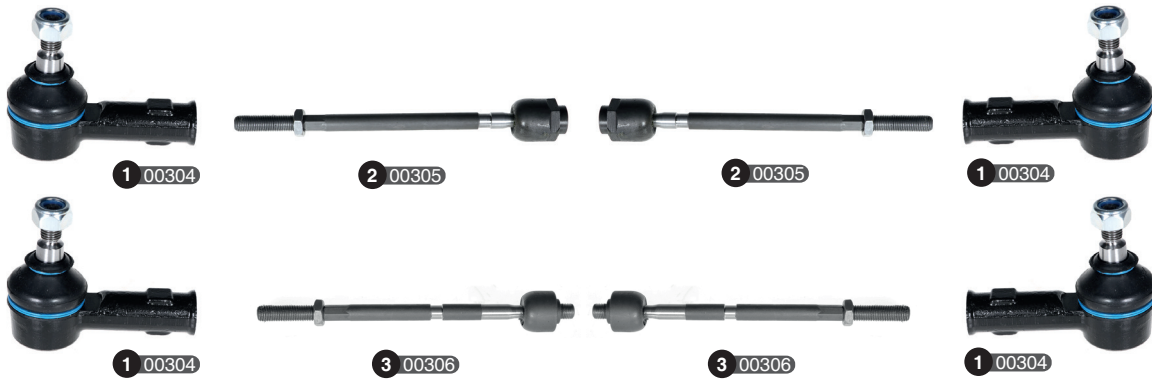


 **Orjin Automotive**

**F  
E  
I  
A  
T**



Ref	Old code	CODE	Description	OE - Number	OE - Number	FEATURES	Ref	Old code	CODE	Description	OE - Number	OE - Number	FEATURES
1	FI008	00224	Tie rod end	5958246	5958247	"M10x1,25-Female-M12x1,5-129 mm (09/1982 ->)"	2	FI114	00316	Axial joint	5960321	SE141162449A	"M14x1,5-M14x1,5-192 mm (09/1982 ->)"



Ref	Old code	CODE	Description	OE - Number	OE - Number	FEATURES	Ref	Old code	CODE	Description	OE - Number	OE - Number	FEATURES
1	FI097	00304	Tie rod end	4322905	4322906	M10x1,25-Female-M14x1,5-72 mm	3	FI099	00306	Axial joint	15000099	-	"M14x1,5-M14x1,5-261 mm (Power Steering)"
2	FI098	00305	Axial joint	4322913	-	M14x1,5-M14x1,5-272,5 mm	4	FI096	00303	Ball joint	4331252 Part of	-	Lower-M14x1,5
							5	FI092	00298	Track control arm	4331252	-	M12x1.25-213 mm



Ref	Old code	CODE	Description	OE - Number	OE - Number	FEATURES	Ref	Old code	CODE	Description	OE - Number	OE - Number	FEATURES
1	FI002	00218	Stabilizer link	1540281	50700464	M10x1,5-289 mm (Front)	5	-	02772	Control arm complete-L	51860383	52045069	17-339 mm
2	-	02590	Tie rod end-L	1546259	77362507	-	6	-	02773	Control arm complete-R	50709580	50710620	17-339 mm
3	-	02591	Tie rod end-R	1546260	77362508	-	7	-	02534	Bushing	50700198	50709580S	Small
4	-	06208	Axial joint	1541354 Part of	1762784 Part of	-	8	-	02877	Bushing	1639574 Part of	50709580 Part of	Big



Ref	Old code	CODE	Description	OE - Number	OE - Number	FEATURES	Ref	Old code	CODE	Description	OE - Number	OE - Number	FEATURES	
1	FI002	00218	Stabilizer link	1540281	50700464	M10x1,5-289 mm Front	7	-	06418	Control arm w/o ball joint-R	4877742AD Part of	51890709 Part of	-	
2	-	06334	Tie rod end	68111382AA	77365815	-	8	-	03429	Ball joint	51928527 Part of	51928536 Part of 4	Lower-17	
3	-	06335	Axial joint	K68105871AA	68105871AB	-	9	-	06419	Bushing	04670552AC	51898068	Big	
4	-	06415	Control arm complete-L	4877743AD	51890706	-		10	-	03431	Bushing	51905057 Part of	51928527 Part of 6	Small
5	-	06416	Control arm complete-R	4877742AD	51890709	-								
6	-	06417	Control arm w/o ball joint-L	4877743AD Part of	51890706 Part of	-								



Ref	Old code	CODE	Description	OE - Number	OE - Number	FEATURES	Ref	Old code	CODE	Description	OE - Number	OE - Number	FEATURES
1	FI095	00302	Stabilizer link	13321280	350175	M10x1,5-301 mm (Front)	6	-	03810	Control arm complete-R	51885660	52008283	Lower
2	-	03814	Tie rod end-L	77366165	77366165	-	7	-	03811	Control arm w/o ball joint	51885660 Part of	51885737 Part of	-
3	-	03815	Tie rod end-R	77366166	77366166	-	8	-	02500	Ball joint	352537 Part of	51810665 Part of	Lower-18
4	FI094	00301	Axial joint	1603543	1609211	M14x1,5- M14x1,5-295 mm	9	FI088	00295	Bushing	13260666	352380	Small
5	-	03809	Control arm complete-L	51885737	52008282	Lower	10	-	02512	Bushing	352537 Part of	51810665 Part of	Big



M14 / < 19" wheels



M16 / 19" wheels

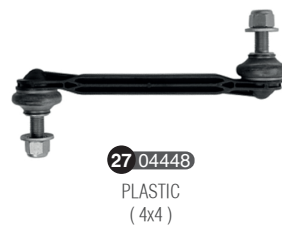
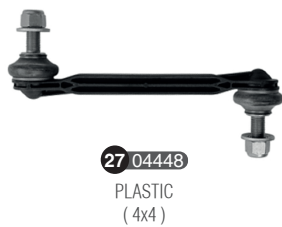


(4x2)



(4x4)



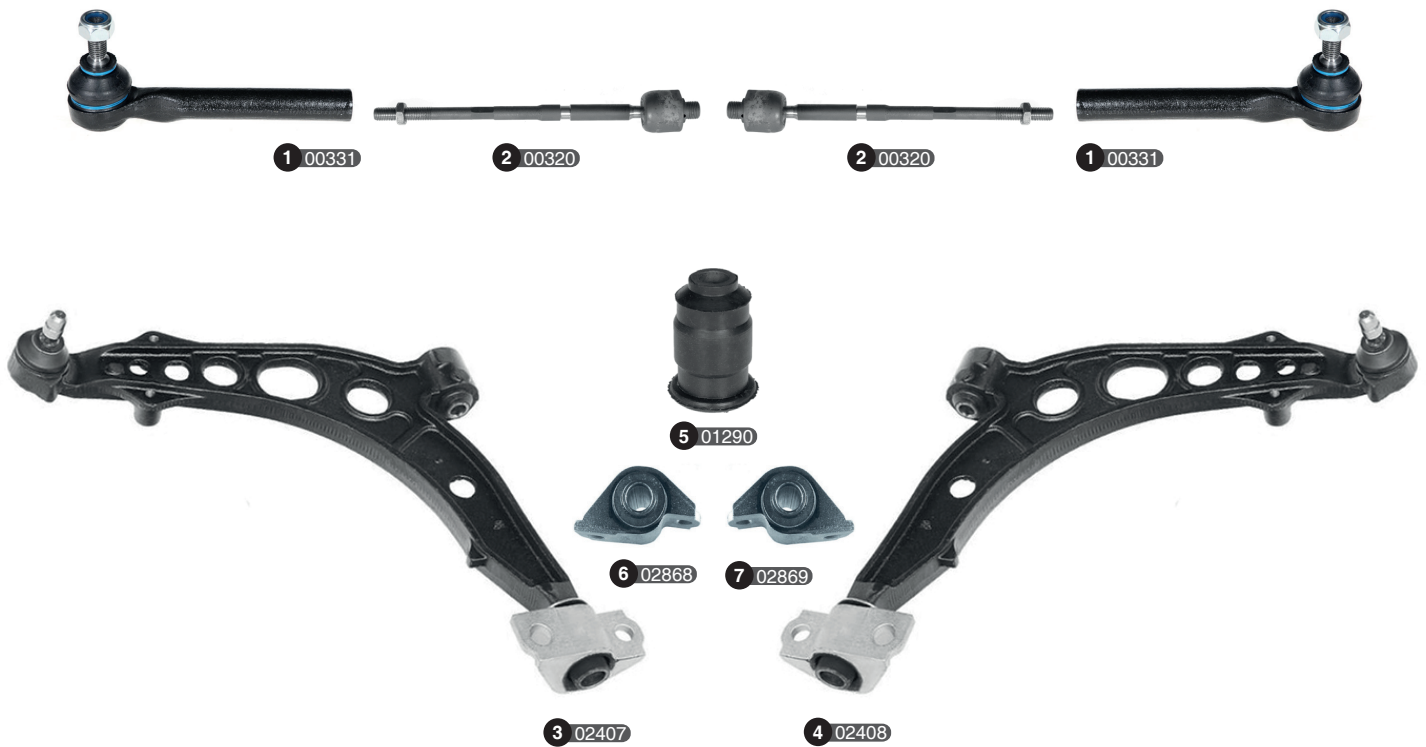






Ref	Old code	CODE	Description	OE – Number	OE – Number	FEATURES	Ref	Old code	CODE	Description	OE – Number	OE – Number	FEATURES
1	-	03784	Stabilizer link	51939949	53403318	Front	15	-	04440	Track rod-R	51959809	-	-
2	-	04437	Tie rod end-L	77366698	-	Lower	16	-	04442	Bushing	51959809 Part of	-	-
3	-	04438	Tie rod end-R	77366699	-	-	17	-	04441	Bushing	51939960 Part of	-	-
4	-	03827	Axial joint	51967456 Part of	52005180 Part of	-	18	-	04443	Track control arm	51939951	52025625	Rear 4x2
5	-	08304	Tie rod end-L	77368518	-	-	19	-	04444	Bushing	52025625 Part of	52025628 Part of	"4x2 4x4"
6	-	08305	Tie rod end-R	77368517	-	-	20	-	04445	Track rod	52025628	-	"Rear 4x2 -> 08/2017 4x4"
7	-	03816	Control arm complete-L	51961341	-	Lower 4x2	21	-	06665	Bushing	52025628 PART OF	53370919 PART OF	-
8	-	03817	Control arm complete-R	51959820	-	Lower 4x2	22	-	04446	Bushing	52025628 Part of	-	"4x2 4x4"
9	-	03825	Ball joint	51945321	-	Lower-19	23	-	06345	Track rod	51939957	52092121	4x2 09/2017 ->
10	-	05399	Bushing	51939751 Part of	51939753 Part of	"4x2 4x4"	24	-	04447	Track rod	52025627	-	Rear 4x4
11	-	03826	Bushing	51939751 Part of	51939754	"4x2 4x4"	25	-	03829	Stabilizer link	51977024 PART OF	52118064 PART OF	Rear 4x2
12	-	03822	Control arm complete-L	51939755	-	Lower 4x4	26	-	07176	Stabilizer link	51977024	52060973	Rear 4x2
13	-	03823	Control arm complete-R	51939751	-	Lower 4x4	27	-	04448	Stabilizer link	51942168	53703319	Rear 4x4
14	-	04439	Track rod-L	51939960	-	-							





Ref	Old code	CODE	Description	OE - Number	OE - Number	FEATURES	Ref	Old code	CODE	Description	OE - Number	OE - Number	FEATURES
1	FI142	00331	Tie rod end	7702035	7752285	M10x1,25-Female-M12x1,5-140 mm	4	-	02408	Control arm complete-R	07750978	46430003	15-312 mm
2	FI122	00320	Axial joint	9945562	9945562	M12x1,5-M16x1,5-272 mm (PS)	5	TF101	01290	Bushing	5927292	7673581	Small
3	-	02407	Control arm complete-L	07750977	46402681	15-312 mm	6	-	02868	Bushing-L	7750977 Part of	46402683 Part of	Big
							7	-	02869	Bushing-R	46402682 Part of	46429835 Part of	Big



BRAVA (182) (01/1995-01/2001)  
BRAVO (182) (01/1995-01/2001)



1 00251



1 00251



2 00219



4 00221



4 00221



3 00220



2 00219



5 00222



5 00222



3 00220



6 00307



10 00240



11 00238



12 00239



7 00308



8 00309



13 00249



14 00250



11 00238



12 00239



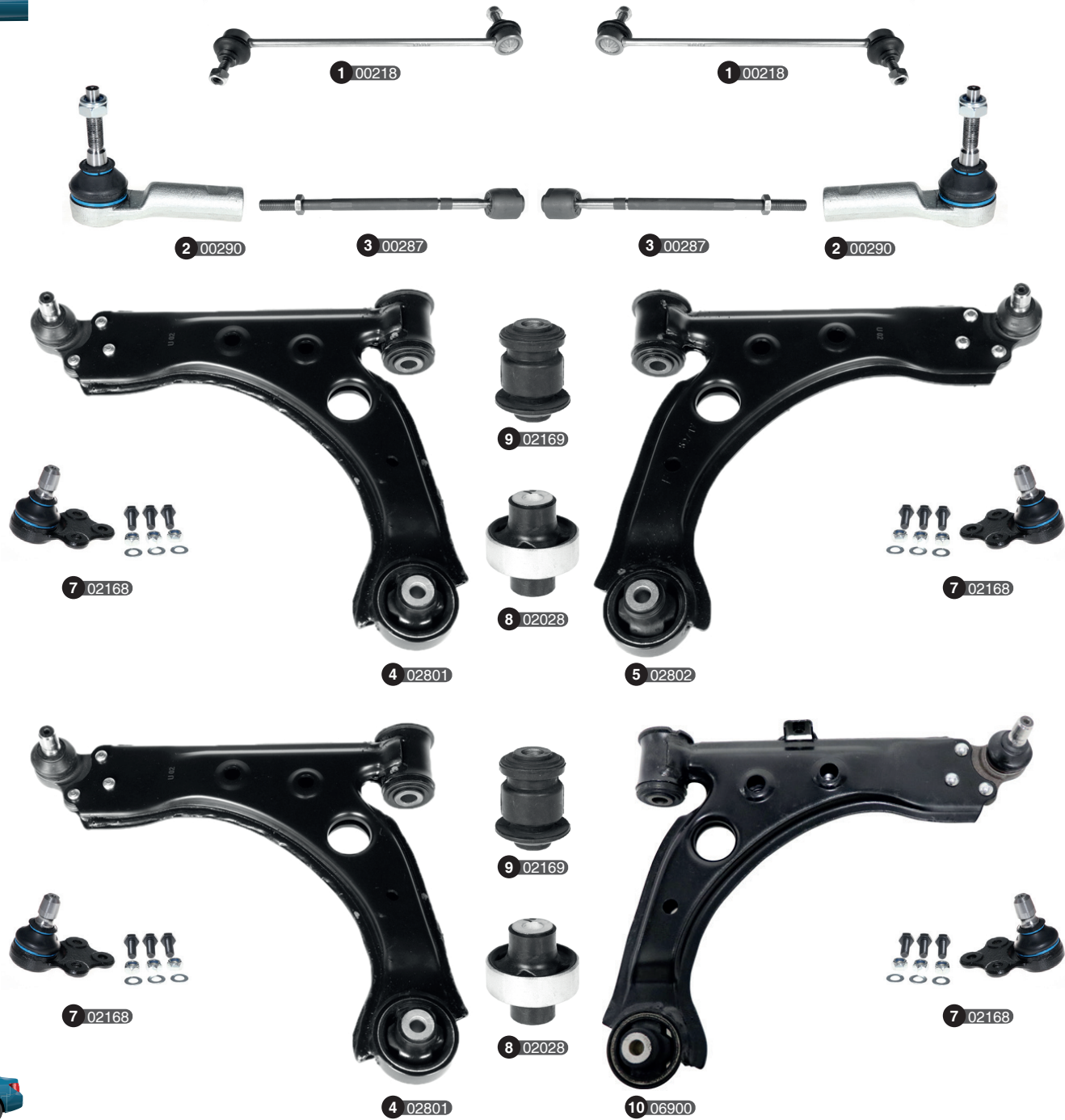
9 00310





Ref	Old code	CODE	Description	OE – Number	OE – Number	FEATURES	Ref	Old code	CODE	Description	OE – Number	OE – Number	FEATURES
1	FI036	00251	Stabilizer link	60570627	60807583	M10x1,25-99 mm (Front)	6	FI102-L	00307	Control arm complete-L	46423822	71747915	17-308,5 mm
2	FI003-L	00219	Tie rod end-L	60565706	60809612	M10x1,25-Female-M12x1,5-128 mm(MS-PS)	7	FI102-R	00308	Control arm complete-R	46423823	7777240	17-308,5 mm
							8	FI104-L	00309	Control arm complete-L	46423824	46456049	17-326,5 mm
3	FI003-R	00220	Tie rod end-R	60565705	60809613	M10x1,25-Female-M12x1,5-128 mm(MS-PS)	9	FI104-R	00310	Control arm complete-R	46423825	46456050	17-326,5 mm
							10	FI029	00240	Bushing	7601064	-	Small
							11	FI028-L	00238	Bushing-L	7601065	-	Big
4	FI004	00221	Axial joint	5958244	7633721	M12x1,5-M14x1,5-264 mm (MS)	12	FI028-R	00239	Bushing-R	7601068	-	Big
							13	FI034-L	00249	Bushing-L	46744556 Part of	-	Inner
5	FI005	00222	Axial joint	09941625	9941625	M12x1,5-M14x1,5-261 mm (PS)	14	FI034-R	00250	Bushing-R	46474557 Part of	-	Inner

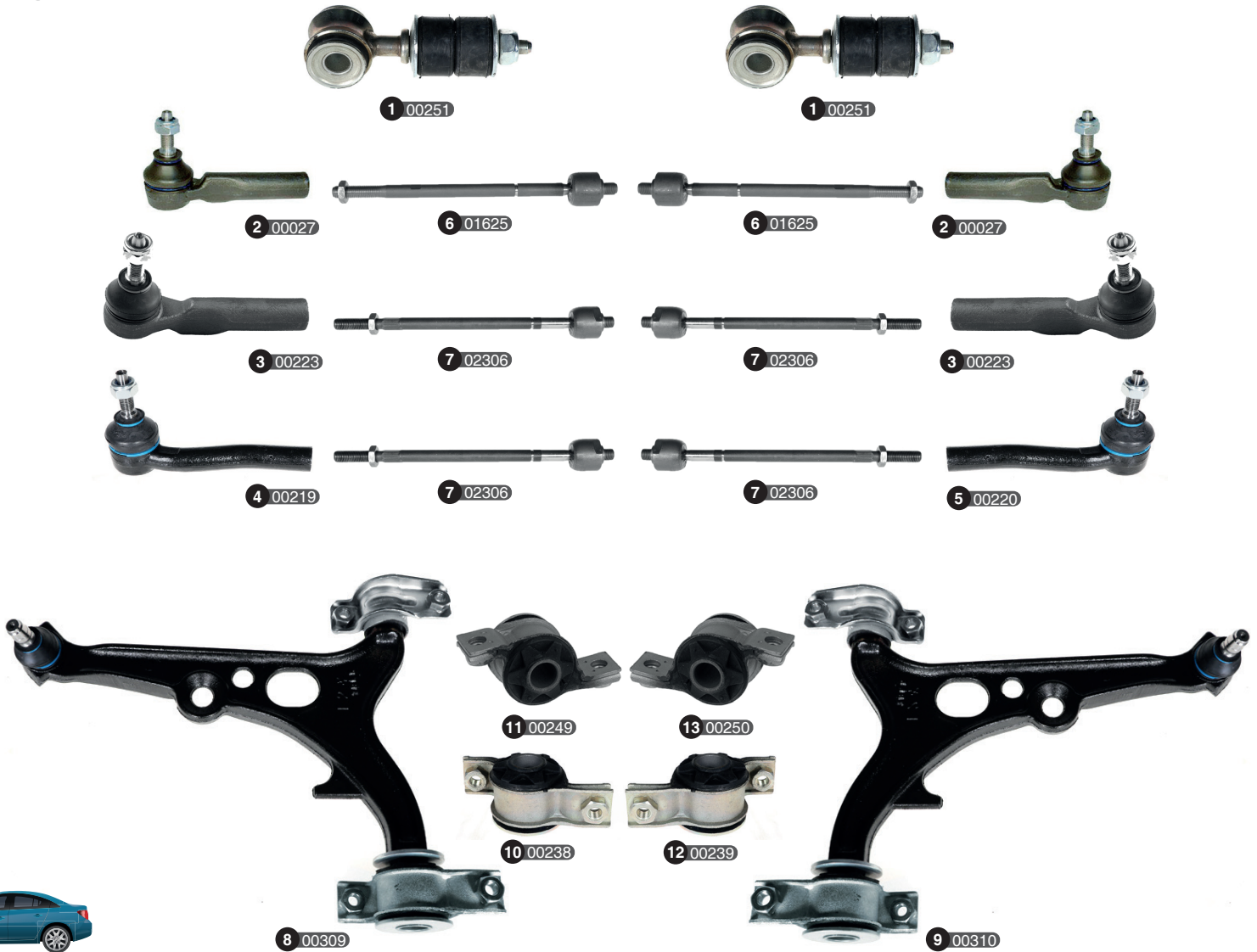




Ref	Old code	CODE	Description	OE - Number	OE - Number	FEATURES	Ref	Old code	CODE	Description	OE - Number	OE - Number	FEATURES
1	FI002	00218	Stabilizer link	1540281	50700464	M10x1,5-289 mm (Front)	6	-	05644	Control arm w/o ball joint	50705464 Part of	51827736 Part of	-
2	FI084	00290	Tie rod end	9949218	-	M10x1,25-Female-M14x1,5-94 mm	7	-	02168	Ball joint	50705463	51827736 Part of 1	Lower
3	FI081	00287	Axial joint	9949217	-	M14x1,5-M14x1,5-313 mm	8	-	02028	Bushing	50700778	-	Big
4	-	02801	Control arm complete-L	50705464	51827736	Lower	9	-	02169	Bushing	50705083 Part of	-	Small
5	-	02802	Control arm complete-R	50705465	50705544	Lower	10	-	06900	Control arm complete-R	51827738	-	Lower



Ref	Old code	CODE	Description	OE - Number	OE - Number	FEATURES	Ref	Old code	CODE	Description	OE - Number	OE - Number	FEATURES
1	-	02861	Tie rod end	5960036	5960037	-	4	-	02859	Control arm complete-R	7636996	-	Lower
2	-	02860	Axial joint	7658273	-	M12x1,25- M12x1.5-285 mm	5	TF101	01290	Bushing	5927292	7673581	Small
3	-	02858	Control arm complete-L	7636995	-	Lower	6	TF102	01291	Bushing	07563151	5927293	Big



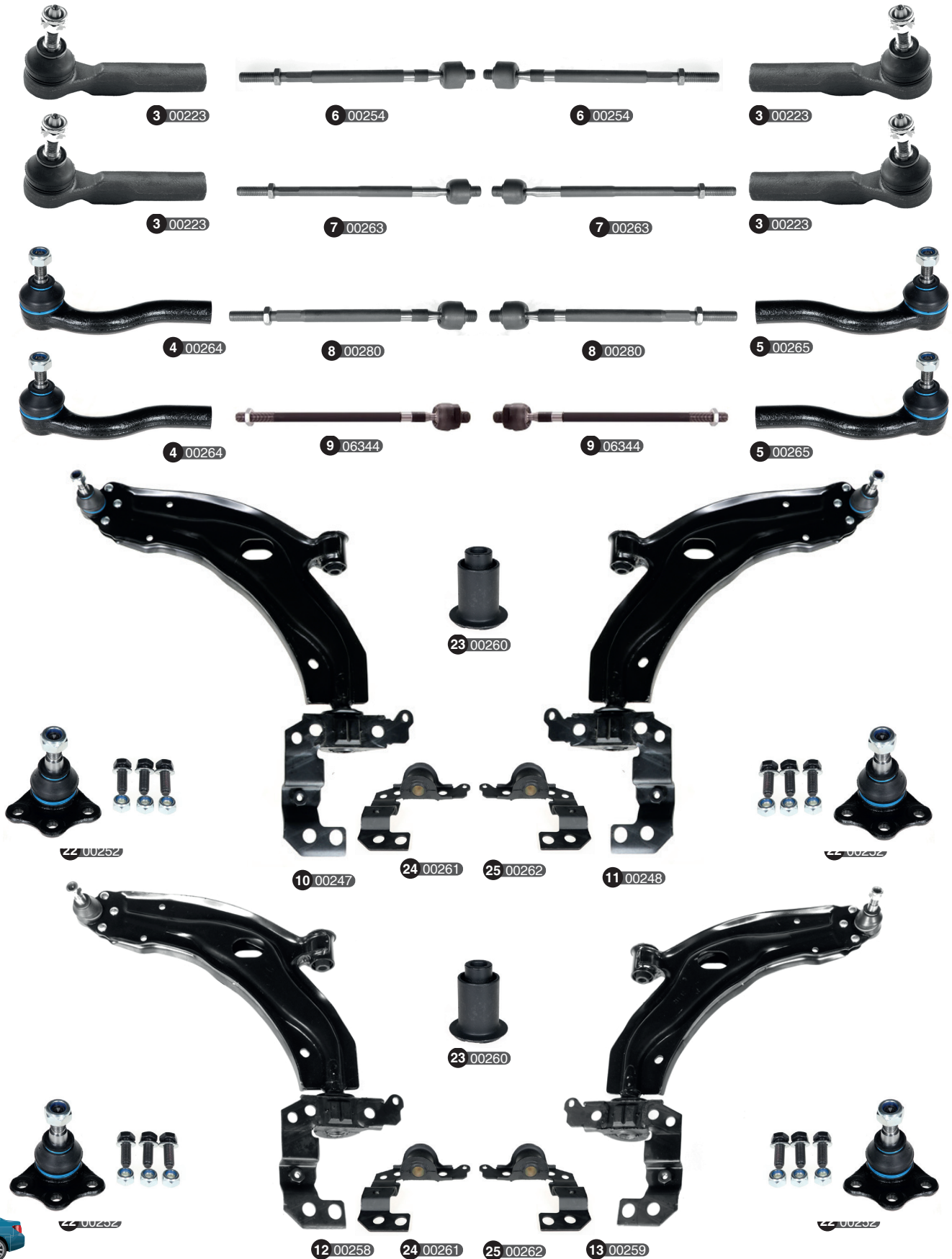
Ref	Old code	CODE	Description	OE - Number	OE - Number	FEATURES	Ref	Old code	CODE	Description	OE - Number	OE - Number	FEATURES
1	FI036	00251	Stabilizer link	60570627	60807583	M10x1,25-99 mm (Front)	6	-	01625	Axial joint	9947718	9950786	M14x1,5- M14x1,5-292 mm
2	AR026	00027	Tie rod end	9947720	-	-	7	FI007	02306	Axial joint	9947713	-	M14x1,5- M14x1,5-309 mm(1997 ->)
3	FI006	00223	Tie rod end	98845030	9947714	"M10x1,25-Female-M14x1,5-107 mm (1997 ->)"	8	FI104-L	00309	Control arm complete-L	46423824	46456049	17-326,5 mm
4	FI003-L	00219	Tie rod end-L	60565706	60809612	"M10x1,25-Female-M12x1,5-128 mm (-> 1996)"	9	FI104-R	00310	Control arm complete-R	46423825	46456050	17-326,5 mm
5	FI003-R	00220	Tie rod end-R	60565705	60809613	"M10x1,25-Female-M12x1,5-128 mm (-> 1996)"	10	FI028-L	00238	Bushing-L	7601065	-	Big
							11	FI034-L	00249	Bushing-L	46744556 Part of	-	Inner
							12	FI028-R	00239	Bushing-R	7601068	-	Big
							13	FI034-R	00250	Bushing-R	46474557 Part of	-	Inner

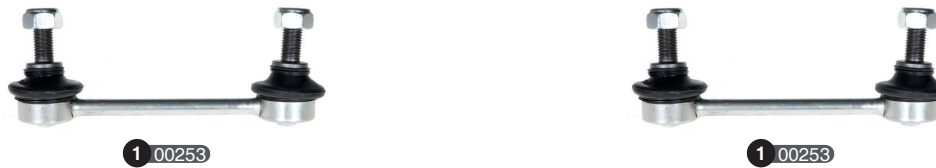


Ref	Old code	CODE	Description	OE - Number	OE - Number	FEATURES	Ref	Old code	CODE	Description	OE - Number	OE - Number	FEATURES
1	OP116	00866	Stabilizer link	24417251	350603	M12x1,5-352 mm (Front)	8	OP128-R	00879	Control arm complete-R	12796014	51748652	20-334 mm
2	OP146	00888	Stabilizer link	13104120	71740112	M10x1,25-86,3 mm (Rear)	9	OP085	00859	Bushing	12786412 Part of	352319 Part of	Big
3	OP118-L	00868	Tie rod end-L	12765896	12787821	M12x1,5-Female-M14x1,5-136 mm	10	OP111	00864	Bushing	352357	4566899	Small
4	OP118-R	00869	Tie rod end-R	12781813	12801424	M12x1,5-Female-M14x1,5-136 mm	11	OP130	00881	Bushing	13105744 Part of 2	423008 Part of	Rear / Big
5	OP117	00867	Axial joint	1603244	93187434	M14x1,5-M18x1,5-284 mm	12	OP131	00882	Bushing	13230274 Part of 1	423035 Part of	Rear / Small
6	OP129	00880	Control arm complete	13105744	423008	Rear-380 mm	13	-	04634	Bushing	13204112 Part of 1	13218171 Part of	12,2
7	OP128-L	00878	Control arm complete-L	12796013	51748653	20-334 mm	14	-	04635	Bushing	13204112 Part of 2	13218171 Part of	14,2
							15	-	03440	Track rod	13204112	423002	Rear-228,5-39,3-12-46,8 mm



DOBLO (119) (03/2001-->)  
DOBLO CARGO (223) (11/2000-->)





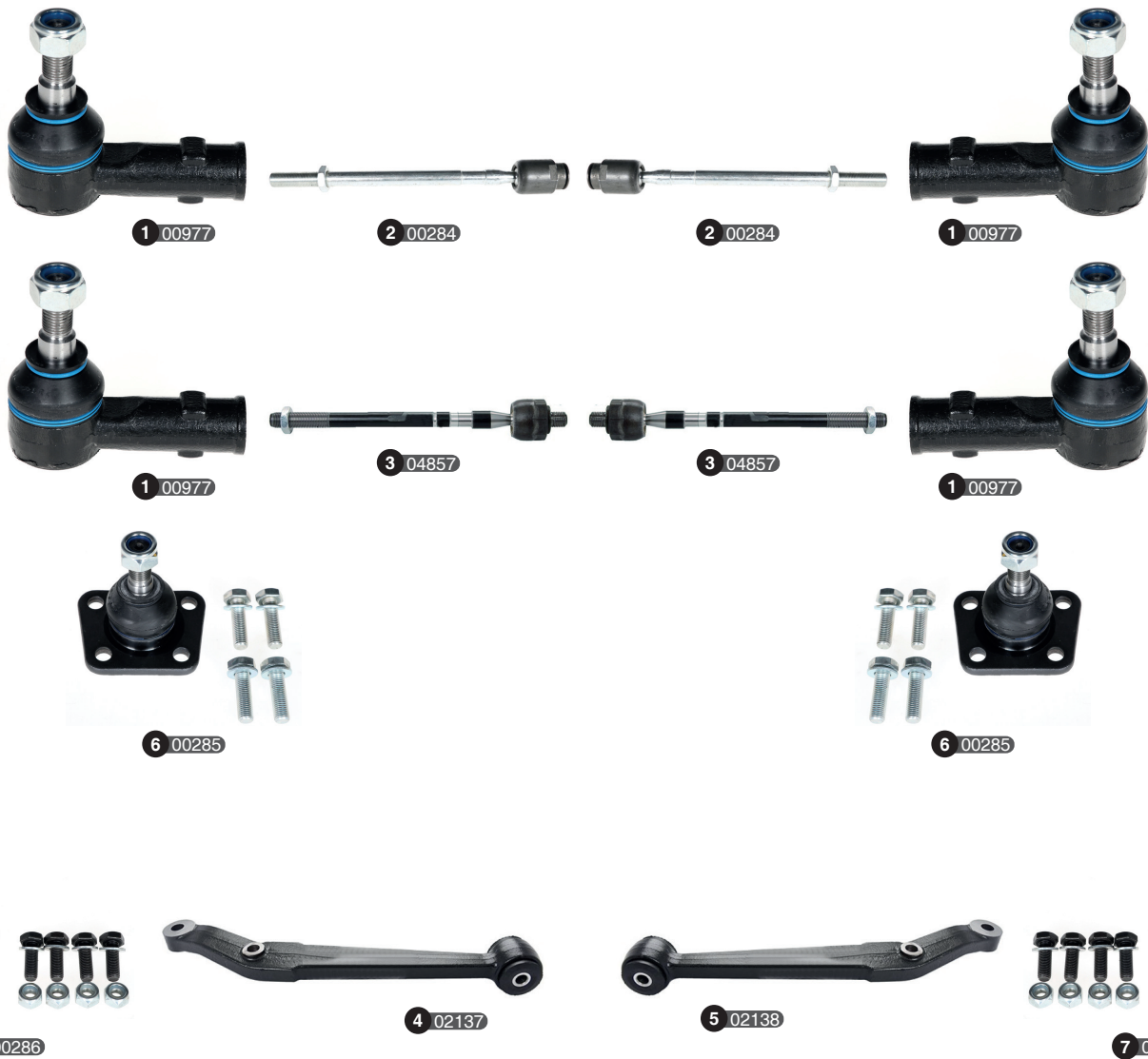


Ref	Old code	CODE	Description	OE – Number	OE – Number	FEATURES	Ref	Old code	CODE	Description	OE – Number	OE – Number	FEATURES
1	FI052	00253	Stabilizer link	46767267	51717000	M10x1,25-116,5 mm(REAR -> 10/2005)	14	FI070-L	00276	Control arm complete-L	51727865	51769076	Lower-338,5 mm
2	FI055	00255	Stabilizer link	51717001	-	M10x1,5-131 mm(REAR 11/2005 ->)	15	FI070-R	00277	Control arm complete-R	51727863	98810139	Lower-338,5 mm
3	FI006	00223	Tie rod end	98845030	9947714	M10x1,25-Female-M14x1,5-107 mm(MS)	16	FI032-L	00245	Control arm w/o ball joint-L	51772992 Part of 1	-	-
4	FI062-L	00264	Tie rod end-L	46456189	98845032	"M10x1,5-Female-M14x1,5-145,5 mm (PS ->10/2005 (PS 11/2005->)"	17	FI032-R	00246	Control arm w/o ball joint-R	51772988 Part of 1	-	-
5	FI062-R	00265	Tie rod end-R	46456660	46745364	"M10x1,5-Female-M14x1,5-145,5 mm (PS ->10/2005 (PS 11/2005->)"	18	FI057-L	00256	Control arm w/o ball joint-L	46539001 Part of 1	46794066 Part of 1	-
6	FI054	00254	Axial joint	98845025	-	M14x1,5-M14x1,5-297 mm (MS)	19	FI057-R	00257	Control arm w/o ball joint-R	46539000 Part of 1	46794065 Part of 1	-
7	FI061	00263	Axial joint	98845024	-	M14x1,5-M16x1,5-335,5 mm (PS)	20	FI069-L	00274	Control arm w/o ball joint-L	51727865 Part of 2	98810140 Part of 2	-
8	FI072	00280	Axial joint	98845026	-	"M14x1,5-M16x1,5-293,5 mm (PS)(->10/2005)"	21	FI069-R	00275	Control arm w/o ball joint-R	51727863 Part of 2	98810139 Part of 2	-
9	-	06344	Axial joint	51780081 Part of	-	(PS)(11/2005->)	22	FI051	00252	Ball joint	46779293	46842581	Lower-M12x1,25 (-> 10/2005)
10	FI033-L	00247	Control arm complete-L	51772992	-	M12x1.25-344 mm (11/2005 ->)	23	FI059	00260	Bushing	46421522	46539000 Part of 4	Small (-> 10/2005) (11/2005->)
11	FI033-R	00248	Control arm complete-R	51772988	-	M12x1.25-344 mm (11/2005 ->)	24	FI060-L	00261	Bushing-L	46539001 Part of 3	46777742 Part of 3	Big (-> 10/2005)
12	FI058-L	00258	Control arm complete-L	46539001	46777742	M12x1.25-338,5 mm (-> 10/2005)	25	FI060-R	00262	Bushing-R	46539000 Part of 3	46794065 Part of 3	Big (-> 10/2005)
13	FI058-R	00259	Control arm complete-R	46539000	46777741	M12x1.25-338,5 mm (-> 10/2005)	26	FI071-L	00278	Bushing-L	51727865 Part of 1	98810140 Part of 1	Big
							27	FI071-R	00279	Bushing-R	51727863 Part of 1	98810139 Part of 1	Big
							28	-	00243	Shock absorber mounting-L	46760674	82491441	-
							29	-	00244	Shock absorber mounting-R	46760673	82491440	-

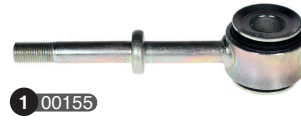




Ref	Old code	CODE	Description	OE - Number	OE - Number	FEATURES	Ref	Old code	CODE	Description	OE - Number	OE - Number	FEATURES
1	-	02487	Stabilizer link	350198	350234	M10x1,25-297 mm (Front)	7	-	02485	Control arm complete-L	352516	51810665	18-359 mm
2	-	04667	Stabilizer link	444103 Part of 6	51810124 Part of 6	Rear	8	-	02486	Control arm complete-R	352515	352537	18-359 mm
3	-	02490	Tie rod end-L	1609193	77365223	M10x1,25-Male-M14x1,5-112 mm	9	-	02515	Control arm w/o ball joint-L	352538 Part of 1	51810665 Part of 1	-
4	-	02491	Tie rod end-R	1609192	77365224	M10x1,25-Male-M14x1,5-112 mm	10	-	03588	Control arm w/o ball joint-R	352537 Part of 1	51932036 Part of 1	-
5	FI073	00281	Axial joint	98845878	-	M14x1,5-M16x1,5-306 mm(Doblo 263)	11	-	02500	Ball joint	352537 Part of 3	51810665 Part of 3	Lower-18
6	-	02499	Axial joint	26144989 Part of 1	-	M14x1,5-M18x1,5-298 mm(Doblo 152)	12	FI088	00295	Bushing	13260666	352380	Small
							13	-	02512	Bushing	51885735	352537 Part of 5	Big



Ref	Old code	CODE	Description	OE - Number	OE - Number	FEATURES	Ref	Old code	CODE	Description	OE - Number	OE - Number	FEATURES
1	PJ087	00977	Tie rod end	381711	4336779	"M12x1,25-Female-M16x1,5-78 mm (MS) (PS) "	4	-	02137	Control arm complete-L	352076	7576732	Lower (10/1985 ->)
							5	-	02138	Control arm complete-R	352152	7576731	Lower (10/1985 ->)
2	FI078	00284	Axial joint	381227	9750001180	M16x1,5-M16x1,5-289 mm (MS)	6	FI079	00285	Ball joint	364017	364018	Lower-M14x1,5 (-> 09/1985)
3	-	04857	Axial joint	ZF09941080	-	PS	7	FI080	00286	Ball joint	364026	7567284	M16x1,5 (10/1985 ->)





Ref	Old code	CODE	Description	OE – Number	OE – Number	FEATURES	Ref	Old code	CODE	Description	OE – Number	OE – Number	FEATURES
1	CIT14	00155	Stabilizer link	1300716080 Part of	508737 Part of	M12x1,25-134 mm Front (W/O KIT)	10	PJ041	00936	Ball joint	1300473080	364033	M18x1,5 (1.8 T)
2	FI019	00230	Stabilizer link	1300716080	508737	M12x1,25-238 mm Front (KIT)	11	FI021	00232	Bushing	1320755080SK	352394	"1.0 - 1.4 T 1.8 T"
3	PJ039	00934	Tie rod end	1306716080	4018A3	M12x1,25-Female-M16x1,5-120 mm	12	FI012	01729	Bushing	1300507080	1320756080SK	"1.0 - 1.4 T 1.8 T"
4	PJ040	00935	Axial joint	1471654080	400624	M16x1,5-M16x1,5-320 mm (PS)	13	FI010-L	00226	Shock absorber mounting-L	1307242080	-	-
5	FI106-L	00313	Control arm complete-L	1308759080	1317238080	Lower-357,3 mm (1.8 T)	14	FI010-R	00227	Shock absorber mounting-R	1307241080	-	-
6	FI106-R	00314	Control arm complete-R	1308760080	1317239080	Lower-357,3 mm (1.8 T)	15	FI014	00228	Engine mounting-L	1307908080	-	-
7	-	02854	Control arm complete-L	1308600080	1317240080	Lower-Forging-368 mm (1.0 - 1.4 T)	16	FI022	00233	Engine mounting-R	1307906080	-	-
8	-	02855	Control arm complete-R	1308601080	1317241080	Lower-Forging-368 mm (1.0 - 1.4 T)	17	FI016	00229	Gearbox mounting-L	1310575080	-	-
9	PJ038	00933	Ball joint	1302368080	364032	M16x1,5 (1.0 - 1.4 T)	18	FI020	00231	Gearbox mounting-R	1308696080	-	-
							19	FI013	02372	Engine mounting-R	1307907080	-	-
							20	FI015	02373	Engine mounting-L	1307905080	-	-









Ref	Old code	CODE	Description	OE – Number	OE – Number	FEATURES	Ref	Old code	CODE	Description	OE – Number	OE – Number	FEATURES
1	CIT14	00155	Stabilizer link	1300716080 Part of	508737 Part of	M12x1,25-134 mm Front (W/O KIT)	7	-	02863	Control arm complete-R	1331940080	1339467080	Lower- Forging-358 mm(0.8 - 1.0 - 1.4 T)
2	FI019	00230	Stabilizer link	1300716080	508737	M12x1,25-238 mm Front (KIT)	8	-	02864	Control arm complete-L	1331937080	1607301480	Lower / 1.8 Q / Forging (1.8 T)
3	PJ039	00934	Tie rod end	1306716080	4018A3	M12x1,25-Female- M16x1,5-120 mm	9	-	02865	Control arm complete-R	1331939080	1607301380	Lower / 1.8 Q / Forging (1.8 T)
4	PJ092	00981	Tie rod end	4018E0	77362278	M14x1,5-Female- M16x1,5-120mm	10	PJ086	00976	Ball joint	1331641080	364054	M18x1,5 (1.8 T)
5	PJ040	00935	Axial joint	1471654080	400624	M16x1,5- M16x1,5-320 mm	11	PJ091	00980	Ball joint	1331640080	364055	M16x1,5 (0.8 - 1.0 - 1.4 T)
6	-	02862	Control arm complete-L	1331938080	1339465080	Lower- Forging-358 mm(0.8 - 1.0 - 1.4 T)	12	FI021	00232	Bushing	1320755080SK	352394	Big (0.8 - 1.0 - 1.4 T -1.8 T)
							13	FI012	01729	Bushing	1300507080	1320756080SK	Small (0.8 - 1.0 - 1.4 T -1.8 T)





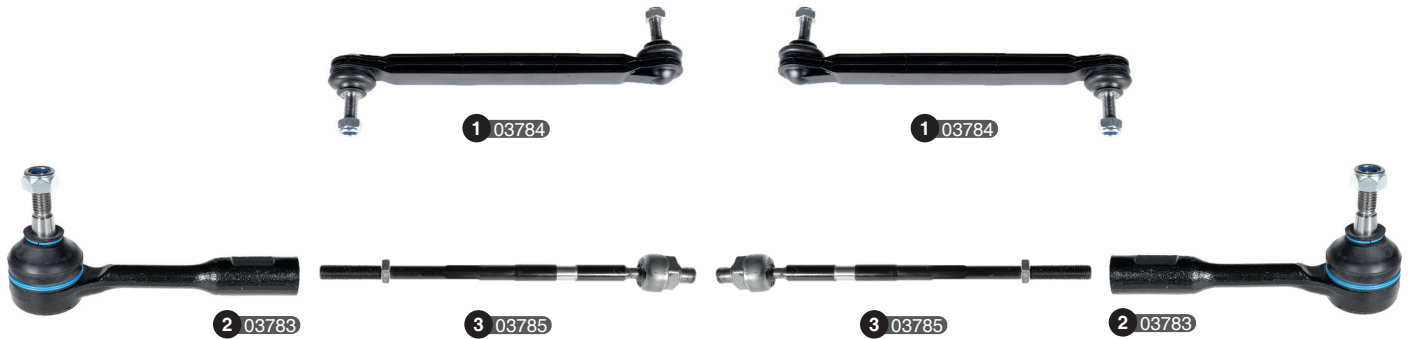


Ref	Old code	CODE	Description	OE – Number	OE – Number	FEATURES	Ref	Old code	CODE	Description	OE – Number	OE – Number	FEATURES
1	-	02082	Stabilizer link	1350658080	1357572080	M12x1,25-112 mm	9	-	03315	Control arm complete-L	1352227080	3520S0	"Lower-Forging-405,5 mm 11Q/15Q/17Q"
2	-	02511	Stabilizer link	1355449080	1355450080	M10x1,5-99 mm Rear							
3	-	05115	Stabilizer link	1350658080 Part of	1612736480 Part of	-	10	-	03316	Control arm complete-R	1352225080	3521P1	"Lower-Forging-405,5 mm 11Q/15Q/17Q"
4	PJ201-L	01034	Tie rod end-L	1610976480	381769	M14x1,5-Female-M16x1,5-208mm							
5	PJ201-R	01035	Tie rod end-R	1376345080	1610976380	M14x1,5-Female-M16x1,5-208mm	11	PJ063	00960	Ball joint	364067	50705629	"M16x1,5 (11Q/15Q/17Q 17H/20Q 05/2014 ->)"
6	-	01933	Axial joint	1341019080 Part of	1359225080 Part of	M16x1,5-M16x1,5-260 mm							
7	-	02235	Control arm complete-L	1352228080	3520S1	Lower-405 mm (17H / 20Q)	12	-	02435	Bushing	1352225080 Part of	3520S0 Part of	"Small (11Q/15Q/17Q 17H/20Q 05/2014 ->)"
8	-	02236	Control arm complete-R	1352226080	3521P2	Lower-405 mm (17H / 20Q)							
							13	-	02436	Bushing	1352225080 Part of	1352226080 Part of	"Big (11Q/15Q/17Q 17H/20Q 05/2014 ->)"





EGEA SALOON (356\_) (10/2015-->)  
EGEA HATCHBACK (357\_) (03/2016-->)  
EGEA ESTATE (357\_) (03/2016-->)



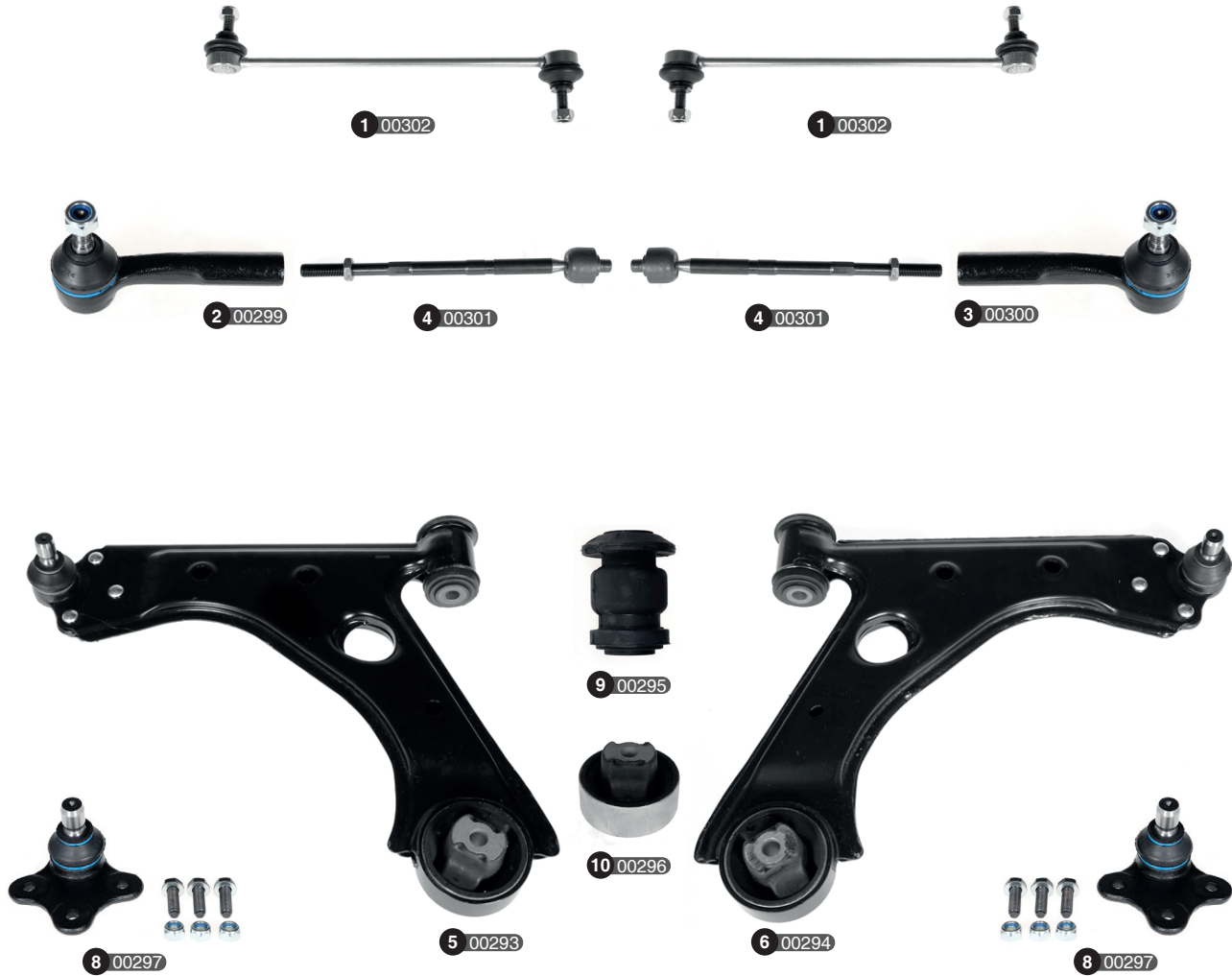
Ref	Old code	CODE	Description	OE - Number	OE - Number	FEATURES	Ref	Old code	CODE	Description	OE - Number	OE - Number	FEATURES
1	-	03784	Stabilizer link	51939949	53403318	Front	6	-	03779	Control arm w/o ball joint	52011612 Part of 1	52011614 Part of 1	-
2	-	03783	Tie rod end	77367379	77367379	M10x1.5- M14X1.5-135 mm	7	-	03782	Ball joint	52026562	52055603	Lower- M10x1.25-89.5 mm
3	-	03785	Axial joint	52014014 Part of	77367378 Part of	-	8	-	03801	Bushing	51983600	52011612 Part of 4	Big
4	-	03777	Control arm complete-L	52011614	52082896	-	9	-	03802	Bushing	51983599	51939753	Small
5	-	03778	Control arm complete-R	52011612	52082897	-							



Ref	Old code	CODE	Description	OE - Number	OE - Number	FEATURES	Ref	Old code	CODE	Description	OE - Number	OE - Number	FEATURES
1	FI025	00237	Stabilizer link	508765	508770	M10x1,5-290 mm (Front)	5	FI087-L	00293	Control arm complete-L	3520W3	3520Y4	16-338 mm
2	FI093-L	00299	Tie rod end-L	1603544	1609457	M10x1,5-Female-M14x1,5-112,5 mm	6	FI087-R	00294	Control arm complete-R	3521S6	3521V5	16-338 mm
3	FI093-R	00300	Tie rod end-R	1603545	1609458	M10x1,5-Female-M14x1,5-112,5 mm	7	FI086	00291	Control arm w/o ball joint	3520W3 Part of	3520Y4 Part of	-
4	FI024	00236	Axial joint	400177	51784191	M14x1,5-M14x1,5-274,5 mm	8	FI090	00297	Ball joint	352067	352087	Lower-16
							9	FI088	00295	Bushing	13260666	352380	Small
							10	FI089	00296	Bushing	3520W3 Part of	3520Y4 Part of	Big



Ref	Old code	CODE	Description	OE - Number	OE - Number	FEATURES	Ref	Old code	CODE	Description	OE - Number	OE - Number	FEATURES
1	-	04707	Stabilizer link	4766962AA	K04766962AA	Front	7	-	04703	Ball joint	5085914AD	K05090033AA	Lower
2	-	04710	Stabilizer link	68052655AA	K68052655AA	Rear	8	-	04704	Bushing	4766423AA	4766424AA	Small
3	-	04232	Tie rod end	5183761AA	5183761AC	-	9	-	04705	Bushing	68069366AB	68149314AA	-
4	-	04706	Axial joint	68040223AD	68040223AE	-	10	-	04708	Track rod	68079539AB	K68079539AB	Long
5	-	04701	Control arm complete-L	4766423AA	4766423AC	Lower	11	-	04709	Track rod	68079540AC	K68079540AD	Short
6	-	04702	Control arm complete-R	4766424AA	4766424AB	Lower							

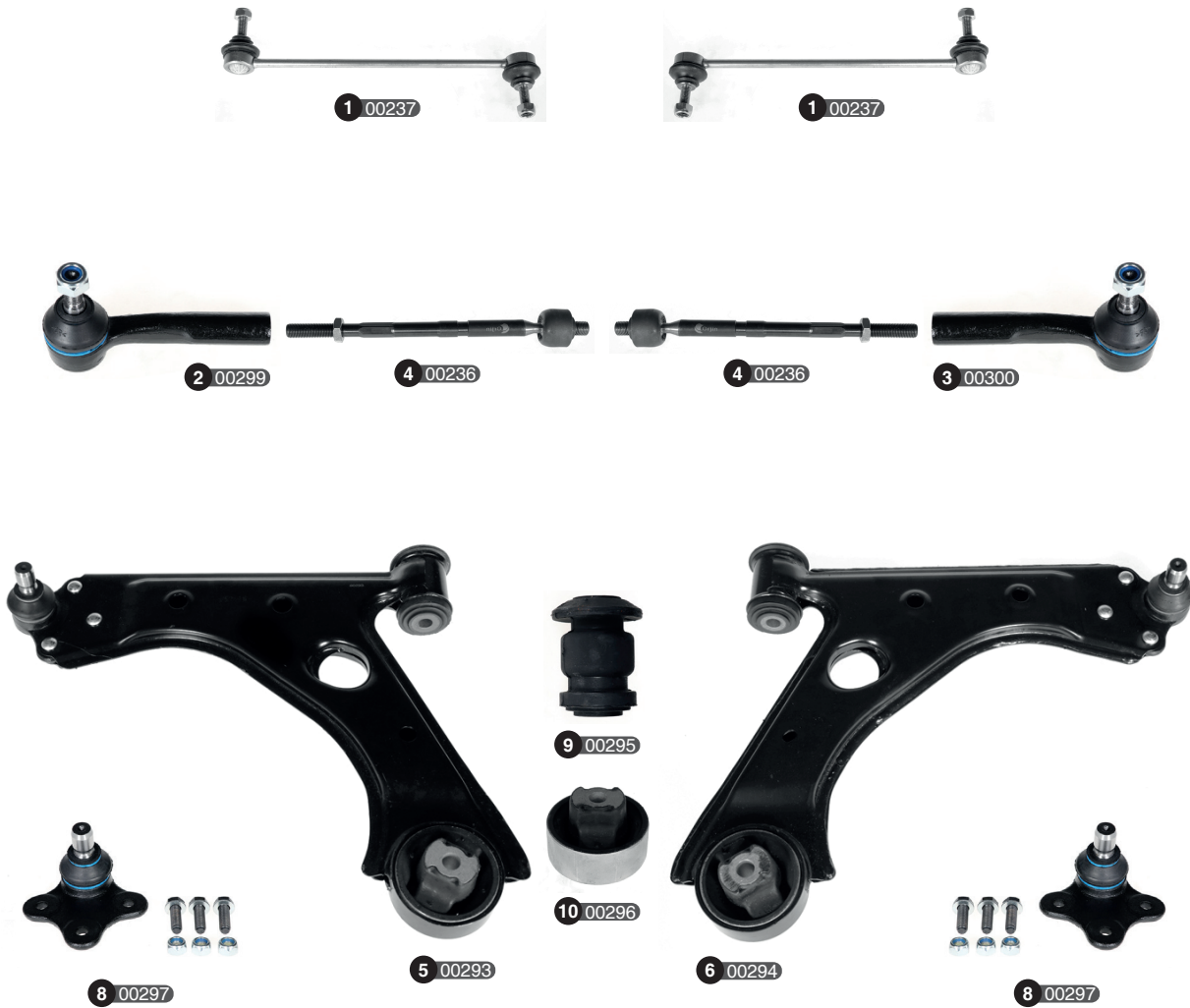


Ref	Old code	CODE	Description	OE - Number	OE - Number	FEATURES	Ref	Old code	CODE	Description	OE - Number	OE - Number	FEATURES
1	FI095	00302	Stabilizer link	13321280	350175	M10x1,5-301 mm (Front)	5	FI087-L	00293	Control arm complete-L	3520W3	3520Y4	16-338 mm
2	FI093-L	00299	Tie rod end-L	1603544	1609457	M10x1,5-Female-M14x1,5-112,5 mm	6	FI087-R	00294	Control arm complete-R	3521S6	3521V5	16-338 mm
3	FI093-R	00300	Tie rod end-R	1603545	1609458	M10x1,5-Female-M14x1,5-112,5 mm	7	FI086	00291	Control arm w/o ball joint	3520W3 Part of	3520Y4 Part of 1	-
4	FI094	00301	Axial joint	1603456	1603543	M14x1,5-M14x1,5-295 mm	8	FI090	00297	Ball joint	352067	352087	Lower-16
							9	FI088	00295	Bushing	13260666	352380	Small
							10	FI089	00296	Bushing	3520W3 Part of	3520Y4 Part of 5	Big



Ref	Old code	CODE	Description	OE - Number	OE - Number	FEATURES	Ref	Old code	CODE	Description	OE - Number	OE - Number	FEATURES
1	-	03678	Stabilizer link-L	51739697	-	M10x1,25-220,6 mm	5	-	06339	Control arm complete-L	50703232	51839219	-
2	-	03679	Stabilizer link-R	51739696	-	M10x1,25-220,6 mm	6	-	06340	Control arm complete-R	50703231	-	-
3	-	01759	Tie rod end	77362503	-	M10x1,25-Female-M14x1,5-153 mm	7	-	06341	Bushing	50703231 Part of	50703232 Part of	Small
4	FI124	00322	Axial joint	77362502	-	M14x1,5-M14x1,5-258 mm	8	-	06338	Bushing	50703231 Part of	50703232 Part of	Big

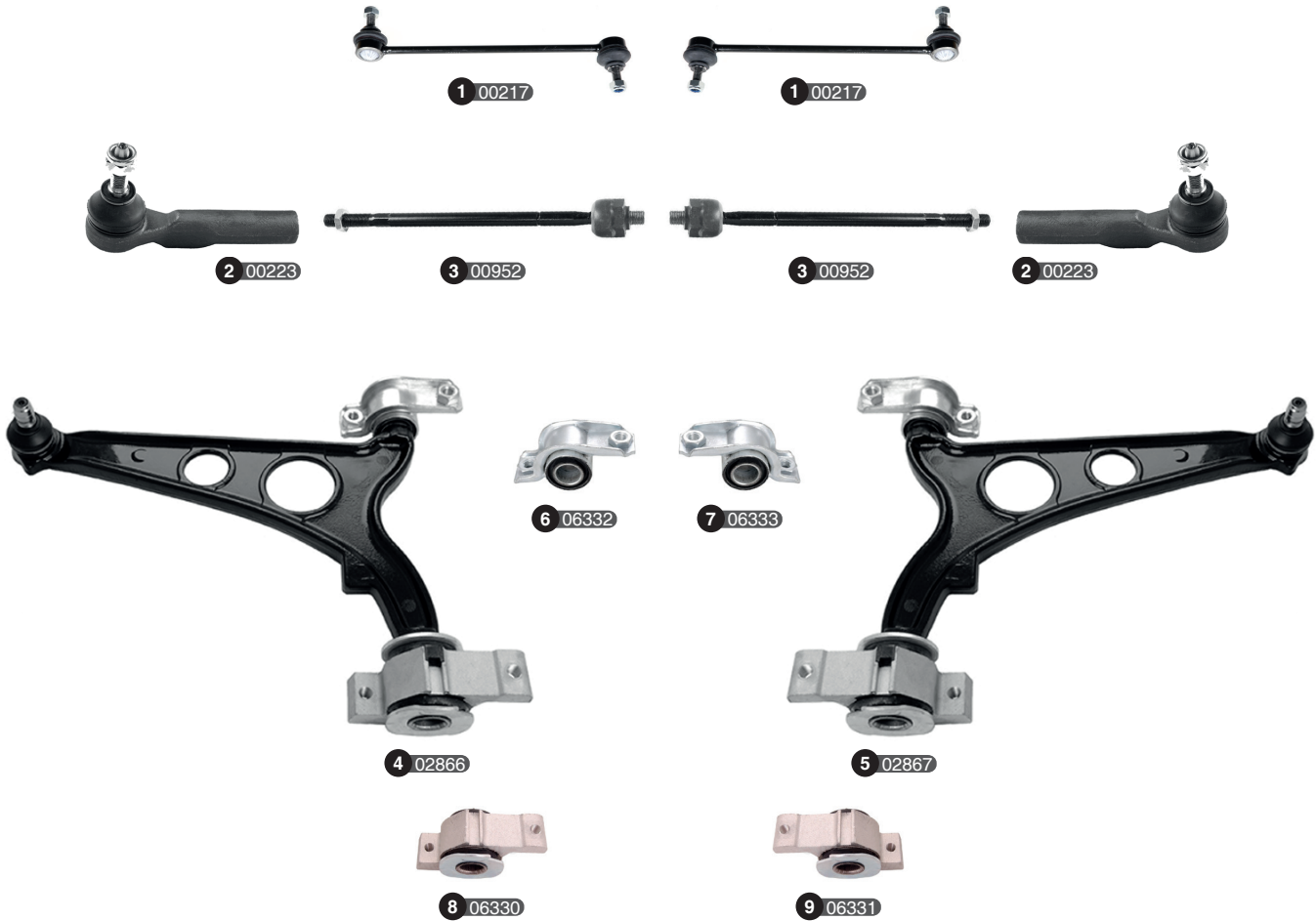




Ref	Old code	CODE	Description	OE - Number	OE - Number	FEATURES	Ref	Old code	CODE	Description	OE - Number	OE - Number	FEATURES
1	FI025	00237	Stabilizer link	508765	508770	M10x1,5-290 mm (Front)	5	FI087-L	00293	Control arm complete-L	3520W3	3520Y4	16-338 mm
2	FI093-L	00299	Tie rod end-L	1603544	1609457	M10x1,5-Female-M14x1,5-112,5 mm	6	FI087-R	00294	Control arm complete-R	3521S6	3521V5	16-338 mm
3	FI093-R	00300	Tie rod end-R	1603545	1609458	M10x1,5-Female-M14x1,5-112,5 mm	7	FI086	00291	Control arm w/o ball joint	3520W3 Part of	3520Y4 Part of	-
4	FI024	00236	Axial joint	400177	4001CW	M14x1,5-M14x1,5-274,5 mm	8	FI090	00297	Ball joint	352067	352087	Lower-16
							9	FI088	00295	Bushing	13260666	352380	Small
							10	FI089	00296	Bushing	3520W3 Part of 5	3520Y4 Part of	Big



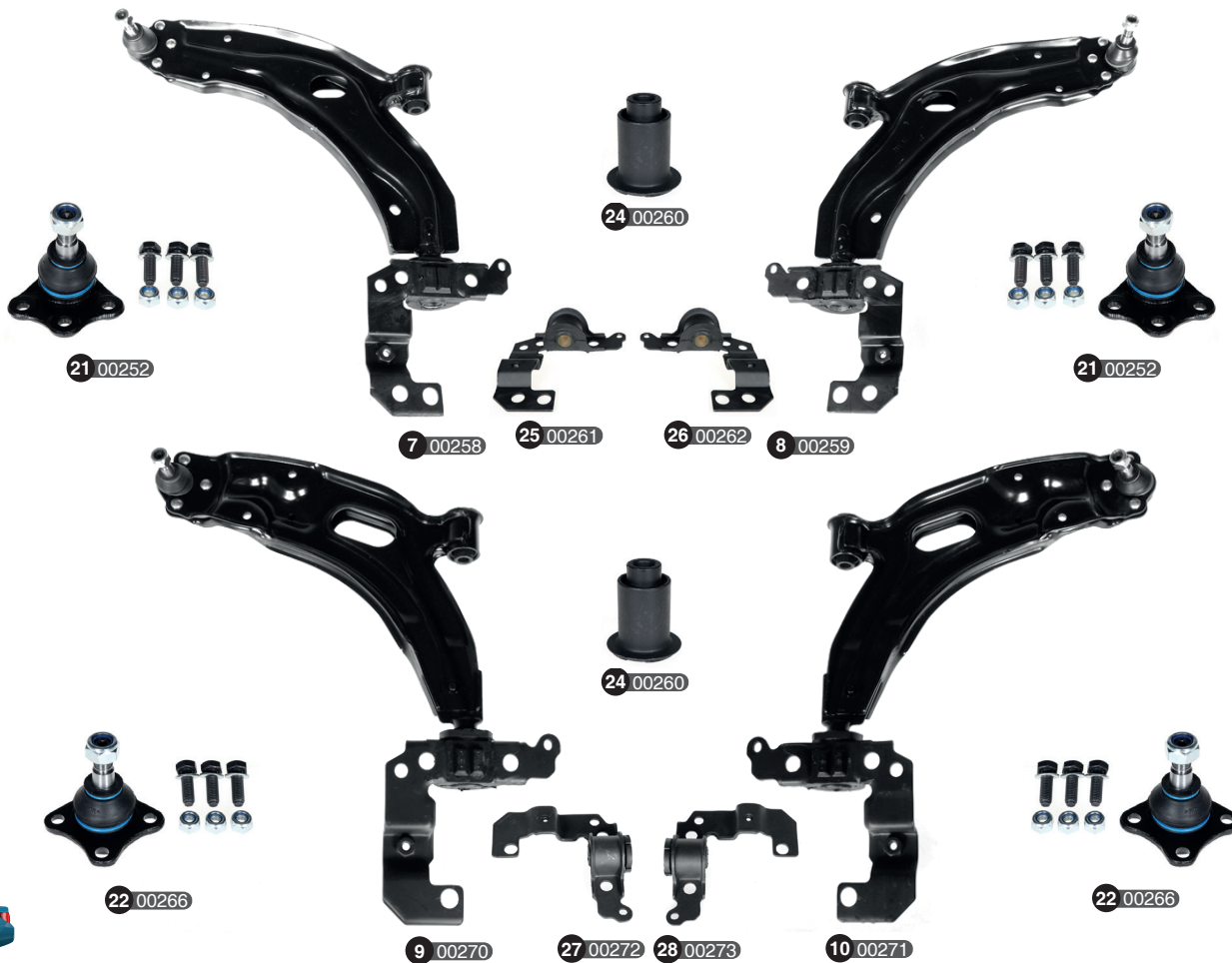
Ref	Old code	CODE	Description	OE - Number	OE - Number	FEATURES	Ref	Old code	CODE	Description	OE - Number	OE - Number	FEATURES
1	FI001	00217	Stabilizer link	46413122	46545743	M10x1,5-275 mm (Front)	5	FI104-R	00310	Control arm complete-R	46423825	46456050	17-326,5 mm
2	FI006	00223	Tie rod end	98845030	9947714	M10x1,25-Female-M14x1,5-107 mm	6	FI028-L	00238	Bushing-L	7601065	-	Big
3	FI007	02306	Axial joint	9947713	-	M14x1,5-M14x1,5-309 mm	7	FI028-R	00239	Bushing-R	7601068	-	Big
4	FI104-L	00309	Control arm complete-L	46423824	46456049	17-326,5 mm	8	FI034-L	00249	Bushing-L	46744556 Part of	-	Inner
							9	FI034-R	00250	Bushing-R	46474557 Part of	-	Inner



Ref	Old code	CODE	Description	OE - Number	OE - Number	FEATURES	Ref	Old code	CODE	Description	OE - Number	OE - Number	FEATURES
1	FI001	00217	Stabilizer link	46413122	46545743	M10x1,5-275 mm (Front)	6	-	06332	BUSHING LH	46764746 PART OF 1	-	-
2	FI006	00223	Tie rod end	98845030	9947714	M10x1,25-Female-M14x1,5-107 mm	7	-	06333	BUSHING RH	46764747 PART OF 1	-	-
3	PJ057	00952	Axial joint	3812A4	9566950880	M14x1,5-M14x1,5-304,5 mm	8	-	06330	BUSHING LH	46764746 PART OF	46525407 PART OF	-
4	-	02866	Control arm complete-L	46764746	46525407	17-338,5 mm	9	-	06331	BUSHING RH	46764747 PART OF	-	-
5	-	02867	Control arm complete-R	46764747	46522142	17-338,5 mm							



PALIO 2V (178BX / 171\_) (04/1996-->  
PALIO WEEKEND (178DX / 277\_ / 173\_) (04/1996-->  
SIENA (178\_ / 172\_) (04/1996-->  
ALBEA (178\_ / 172\_) (04/1996-->





PALIO 2V (178BX / 171\_) (04/1996-->  
 PALIO WEEKEND (178DX / 277\_ / 173\_) (04/1996-->  
 SIENA (178\_ / 172\_) (04/1996-->  
 ALBEA (178\_ / 172\_) (04/1996-->





PALIO 2V (178BX / 171\_) (04/1996-->  
PALIO WEEKEND (178DX / 277\_ / 173\_) (04/1996-->  
SIENA (178\_ / 172\_) (04/1996-->  
ALBEA (178\_ / 172\_) (04/1996-->

Ref	Old code	CODE	Description	OE – Number	OE – Number	FEATURES	Ref	Old code	CODE	Description	OE – Number	OE – Number	FEATURES
1	FI062-L	00264	Tie rod end-L	46456189	46745365	M10x1,5-Female-M14x1,5-145,5 mm	16	FI057-R	00257	Control arm w/o ball joint-R	46539000 Part of 1	46777741 Part of 1	-
2	FI062-R	00265	Tie rod end-R	46456660	46745364	M10x1,25-Female-M14x1,5-145,5 mm	17	FI066-L	00268	Control arm w/o ball joint-L	46454597 Part of 1	46554597 Part of 1	-
3	FI064	00267	Axial joint	7079383	-	M14x1,5-M16x1,5-286,5 mm (MS)	18	FI066-R	00269	Control arm w/o ball joint-R	46454598 Part of 1	46554598 Part of 1	-
4	FI082	00288	Axial joint	7081851	-	"M14x1,5-M16x1,5-264,5 mm (PS 01/2002 ->)"	19	FI148-L	02336	Control arm w/o ball joint-L	46554595 Part of 1	-	-
5	FI074-L	00282	Axial joint	7079388	-	M14x1,5-M16x1,5-282,5 mm (MS)	20	FI148-R	02337	Control arm w/o ball joint-R	46454596 Part of 1	46554596 Part of 1	-
6	FI074-R	00283	Axial joint	7079382	-	"M14x1,5-M14x1,5-283 mm (PS -> 09/1999)"	21	FI051	00252	Ball joint	46779293	46842581	Lower-M12x1,25 (PS 2002 ->)"
7	FI058-L	00258	Control arm complete-L	46539001	46777742	M12x1,25-338,5 mm (PS 2002 ->)"	22	FI063	00266	Ball joint	46437959	46454599	"Lower-M12x1,25 (MS PS -> 11/1999)"
8	FI058-R	00259	Control arm complete-R	46539000	46777741	M12x1,25-338,5 mm (PS 2002 ->)"	23	-	02403	Ball joint	46437951	-	Lower-M12x1,25 (PS 2004-->)"
9	FI067-L	00270	Control arm complete-L	46454597	46554597	Lower-313,3 mm (PS -> 11/1999)"	24	FI059	00260	Bushing	46421522	46539000 Part of 4	"Small (MS PS -> 11/1999 PS 2002 --> PS 2004-->)"
10	FI067-R	00271	Control arm complete-R	46454598	46554598	Lower-313,3 mm (PS -> 11/1999)"	25	FI060-L	00261	Bushing-L	46539001 Part of 3	46777742 Part of 3	Big (PS 2002 ->)"
11	FI149-L	00332	Control arm complete-L	46454595	46554595	M12x1,25-313,3 mm (MS)	26	FI060-R	00262	Bushing-R	46539000 Part of 3	46777741 Part of 3	Big (PS 2002 ->)"
12	FI149-R	00333	Control arm complete-R	46454596	46554596	M12x1,25-313,3 mm (MS)	27	FI068-L	00272	Bushing-L	46551377	-	Big (PS -> 11/1999 - PS 2004-->)"
13	FI151-L	02276	Control arm complete-L	X00021	-	M12x1,25-320 mm (PS 2004 ->)"	28	FI068-R	00273	Bushing-R	46551376	-	"Big (PS -> 11/1999 PS 2004-->)"
14	FI151-R	02277	Control arm complete-R	X00022	-	M12x1,25-320 mm (PS 2004 ->)"	29	FI150-L	00334	Bushing-L	46454062	-	Big (MS)
15	FI057-L	00256	Control arm w/o ball joint-L	46539001 Part of 1	46794066 Part of 1	-	30	FI150-R	00335	Bushing-R	46454061	-	Big (MS)





3 00225



3 00225



Ref	Old code	CODE	Description	OE - Number	OE - Number	FEATURES	Ref	Old code	CODE	Description	OE - Number	OE - Number	FEATURES
1	FI134	00324	Tie rod end	5960835	SE141162410A	11/1982 ->	3	FI009	00225	Ball joint	4402644	4402649	Lower-M10x1,25
2	FI114	00316	Axial joint	5960321	127162449A	"M14x1,5- M14x1,5-192 mm 11/1982 ->"							



EXC. 1.4 16 V



1.4 16 V







Ref	Old code	CODE	Description	OE – Number	OE – Number	FEATURES	Ref	Old code	CODE	Description	OE – Number	OE – Number	FEATURES
1	FI083	00289	Stabilizer link	50703296	51856872	M10x1,5-315 mm (Front)	7	-	01712	Control arm complete-R	50703129	51857134	Lower
2	-	02589	Stabilizer link	50704671	51856959	Rear	8	-	02172	Bushing	50703128 Part of	50703129 Part of	Big
3	-	02590	Tie rod end-L	1546259	77362507	-	9	-	02534	Bushing	50700198	50703129S	Small
4	-	02591	Tie rod end-R	1546260	77362508	-	10	-	06338	Bushing	50703231 PART OF	50703232 PART OF	-
5	FI123	00321	Axial joint	77362506	-	M12x1,5- M14x1,5-228 mm	11	-	06336	Control arm complete-L	50707303	51857135	-
6	-	01711	Control arm complete-L	50703128	51857133	Lower	12	-	06337	Control arm complete-R	50707304	51857136	-





Ref	Old code	CODE	Description	OE - Number	OE - Number	FEATURES	Ref	Old code	CODE	Description	OE - Number	OE - Number	FEATURES
1	FI002	00218	Stabilizer link	1540281	50700464	M10x1,5-289 mm (Front)	7	-	03424	Control arm w/o ball joint-R	51928527 Part of	-	-
2	-	06334	Tie rod end	68111382AA	77365815	-	8	-	03429	Ball joint	51928527 Part of	51928536 Part of	Lower-17
3	-	06335	Axial joint	K68105871AA	68105871AB	-	9	-	03430	Bushing	51928527 Part of	51928536 Part of	Big
4	-	03421	Control arm complete-L	51928536	51957401	17-320 mm	10	-	03431	Bushing	51905057 Part of	51928527 Part of	Small
5	-	03422	Control arm complete-R	51928527	51957400	17-320 mm							
6	-	03423	Control arm w/o ball joint-L	51928536 Part of	-	-							



PUNTO (176) (03/1993-09/1999)  
PUNTO CABRIO (176C) (04/1994-06/2000)  
PUNTO VAN (176) (04/1996-02/2000)



Ref	Old code	CODE	Description	OE - Number	OE - Number	FEATURES	Ref	Old code	CODE	Description	OE - Number	OE - Number	FEATURES
1	FI142	00331	Tie rod end	7702035	7752285	"M10x1,25-Female-M12x1,5-140 mm (MS)(PS)"	4	-	02407	Control arm complete-L	07750977	46402681	15-312 mm
2	FI121	00319	Axial joint	7701491	9946948	M12x1,5-M14x1,5-276 mm (MS)	5	-	02408	Control arm complete-R	07750978	46430003	15-312 mm
3	FI122	00320	Axial joint	9945562	9945562	M12x1,5-M16x1,5-272 mm (PS)	6	TF101	01290	Bushing	5927292	7673581	Small
							7	-	02868	Bushing-L	7750977 Part of	46402683 Part of	Big
							8	-	02869	Bushing-R	46402682 Part of	46429835 Part of	Big



Ref	Old code	CODE	Description	OE - Number	OE - Number	FEATURES	Ref	Old code	CODE	Description	OE - Number	OE - Number	FEATURES
1	FI142	00331	Tie rod end	7702035	7752285	M10x1,25-Female-M12x1,5-140 mm	4	FI154-R	00340	Control arm complete-R	46545661	46551790	15-311,9 mm
2	FI116	00317	Axial joint	9948343	-	M12x1,5-M14x1,5-277 mm	5	-	02534	Bushing	46545660 Part of	1639575S	Small
3	FI154-L	00339	Control arm complete-L	46545660	46551732	15-311,9 mm	6	-	02535	Bushing	46545660 Part of	46545661 Part of	Big



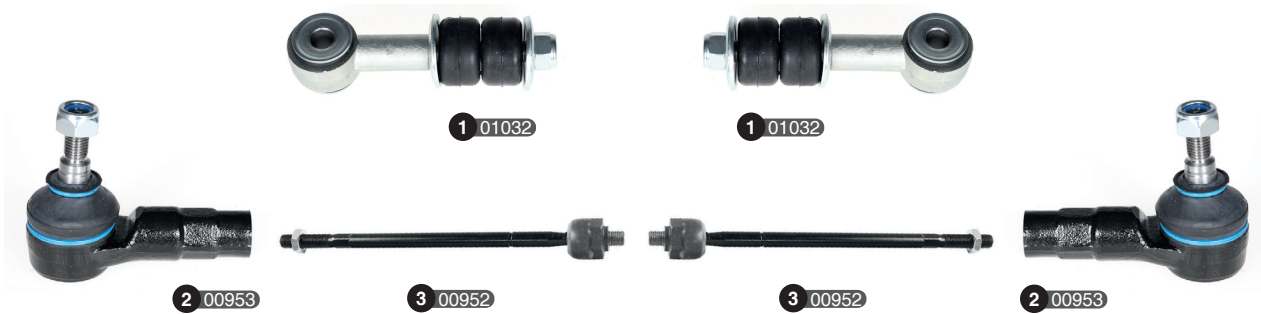
PUNTO (199) (10/2005-09/2009)  
PUNTO EVO (199) (10/2009-02/2012)  
PUNTO (199) (03/2012-->)



Ref	Old code	CODE	Description	OE - Number	OE - Number	FEATURES	Ref	Old code	CODE	Description	OE - Number	OE - Number	FEATURES
1	FI095	00302	Stabilizer link	13321280	350616	M10x1,5-301 mm (Front)	5	FI087-L	00293	Control arm complete-L	3520W3	3520Y4	16-338 mm
2	FI093-L	00299	Tie rod end-L	1603544	1609457	M10x1,5-Female-M14x1,5-112,5 mm	6	FI087-R	00294	Control arm complete-R	3521S6	3521V5	16-338 mm
3	FI093-R	00300	Tie rod end-R	1603545	1609458	M10x1,5-Female-M14x1,5-112,5 mm	7	FI086	00291	Control arm w/o ball joint	3520W3 Part of 1	3520Y4 Part of	-
4	FI094	00301	Axial joint	1603456	1603543	M14x1,5-M14x1,5-295 mm	8	FI090	00297	Ball joint	352067	352087	Lower-16
							9	FI088	00295	Bushing	13260666	352380	Small
							10	FI089	00296	Bushing	3520W3 Part of 5	3520Y4 Part of	Big



Ref	Old code	CODE	Description	OE - Number	OE - Number	FEATURES	Ref	Old code	CODE	Description	OE - Number	OE - Number	FEATURES
1	FI025	00237	Stabilizer link	508765	508770	M10x1,5-290 mm (Front)	5	FI087-L	00293	Control arm complete-L	3520W3	3520Y4	16-338 mm
2	FI093-L	00299	Tie rod end-L	1603544	1609457	M10x1,5-Female-M14x1,5-112,5 mm	6	FI087-R	00294	Control arm complete-R	3521S6	3521V5	16-338 mm
3	FI093-R	00300	Tie rod end-R	1603545	1609458	M10x1,5-Female-M14x1,5-112,5 mm	7	FI086	00291	Control arm w/o ball joint	3520W3 Part of	3521S6 Part of	-
4	FI024	00236	Axial joint	400177	4001CX	M14x1,5-M14x1,5-274,5 mm	8	FI090	00297	Ball joint	352067	352087	Lower-16
							9	FI088	00295	Bushing	13260666	352380	Small
							10	FI089	00296	Bushing	3520W3 Part of	3520Y4 Part of	Big



Ref	Old code	CODE	Description	OE - Number	OE - Number	FEATURES	Ref	Old code	CODE	Description	OE - Number	OE - Number	FEATURES
1	PJ192	01032	Stabilizer link	1308664080	1317425080	M12x1,25-123 mm (Front)	4	FI105-L	00311	Control arm complete-L	1313083080	3321C5	17-308 mm
2	PJ058	00953	Tie rod end	306003080	405909	M10x1,25-Female-M14x1,5-76 mm	5	FI105-R	00312	Control arm complete-R	1313084080	352164	17-308 mm
3	PJ057	00952	Axial joint	3812A4	9566950880	M14x1,5-M14x1,5-304,5 mm	6	FI144	01601	Bushing	1312317080	-	Small
							7	FI143-L	01693	Bushing-L	1305551080	-	Big
							8	FI143-R	01694	Bushing-R	1305552080	-	Big



Ref	Old code	CODE	Description	OE - Number	OE - Number	FEATURES	Ref	Old code	CODE	Description	OE - Number	OE - Number	FEATURES
1	-	01925	Stabilizer link	508756	1400099680	M12x1,75-264 mm (Front)	5	-	01924	Control arm complete-R	1497407080	3521N9	19-319 mm
2	-	01921	Tie rod end	381773	9403817738	M12x1,5-Female-M14x1,5-80 mm	6	-	02527	Bushing	1356060080 Part of	3520R8 Part of	Inner
3	-	01922	Axial joint	3812F0	-	M14x1,5-M16x1,5-305 mm	7	-	02528	Bushing-L	1356060080 Part of	3520S5 Part of	Big
4	-	01923	Control arm complete-L	1497408080	3520R8	19-319 mm	8	-	02529	Bushing-R	1359399080 Part of	3521K2 Part of	Big





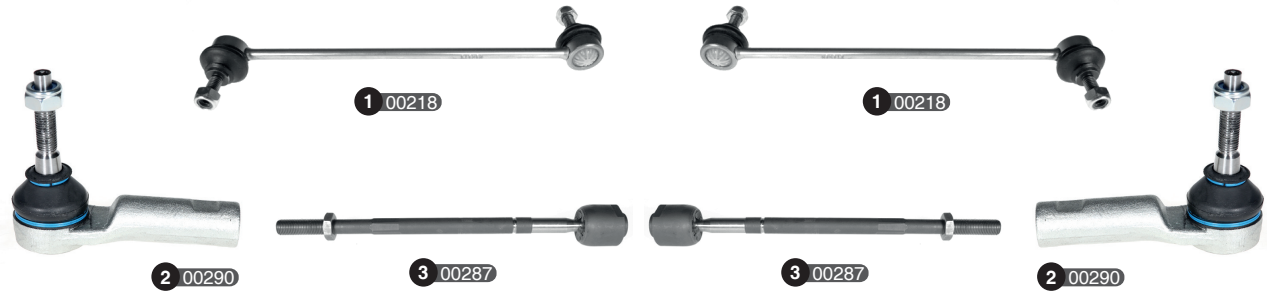
Ref	Old code	CODE	Description	OE - Number	OE - Number	FEATURES	Ref	Old code	CODE	Description	OE - Number	OE - Number	FEATURES
1	-	03366	Stabilizer link	71742688	4242059J00	M10x1,5-271 mm (Front)	5	-	05761	Control arm complete-L	4520279J00	71742732	-
2	-	05759	Tie rod end	4881079J00	71742770	-	6	-	05762	Control arm complete-R	4520179J00	71742731	-
3	-	05760	Axial joint-L	4883079J10 Part of	-	-	7	-	05756	Bushing	4526179J00	71742733	Small
4	-	05952	Axial joint-R	4883079J00 Part of	-	-	8	-	05757	Bushing	4520161M00 Part of	4520179J00 Part of	Big



Ref	Old code	CODE	Description	OE - Number	OE - Number	FEATURES	Ref	Old code	CODE	Description	OE - Number	OE - Number	FEATURES
1	-	02861	Tie rod end	5960036	5960037	-	4	-	02859	Control arm complete-R	7636996	-	Lower
2	-	02860	Axial joint	7658273	-	M12x1,25- M12x1.5-285 mm	5	TF101	01290	Bushing	5927292	7673581	Small
3	-	02858	Control arm complete-L	7636995	-	Lower	6	TF102	01291	Bushing	07563151	5927293	Big



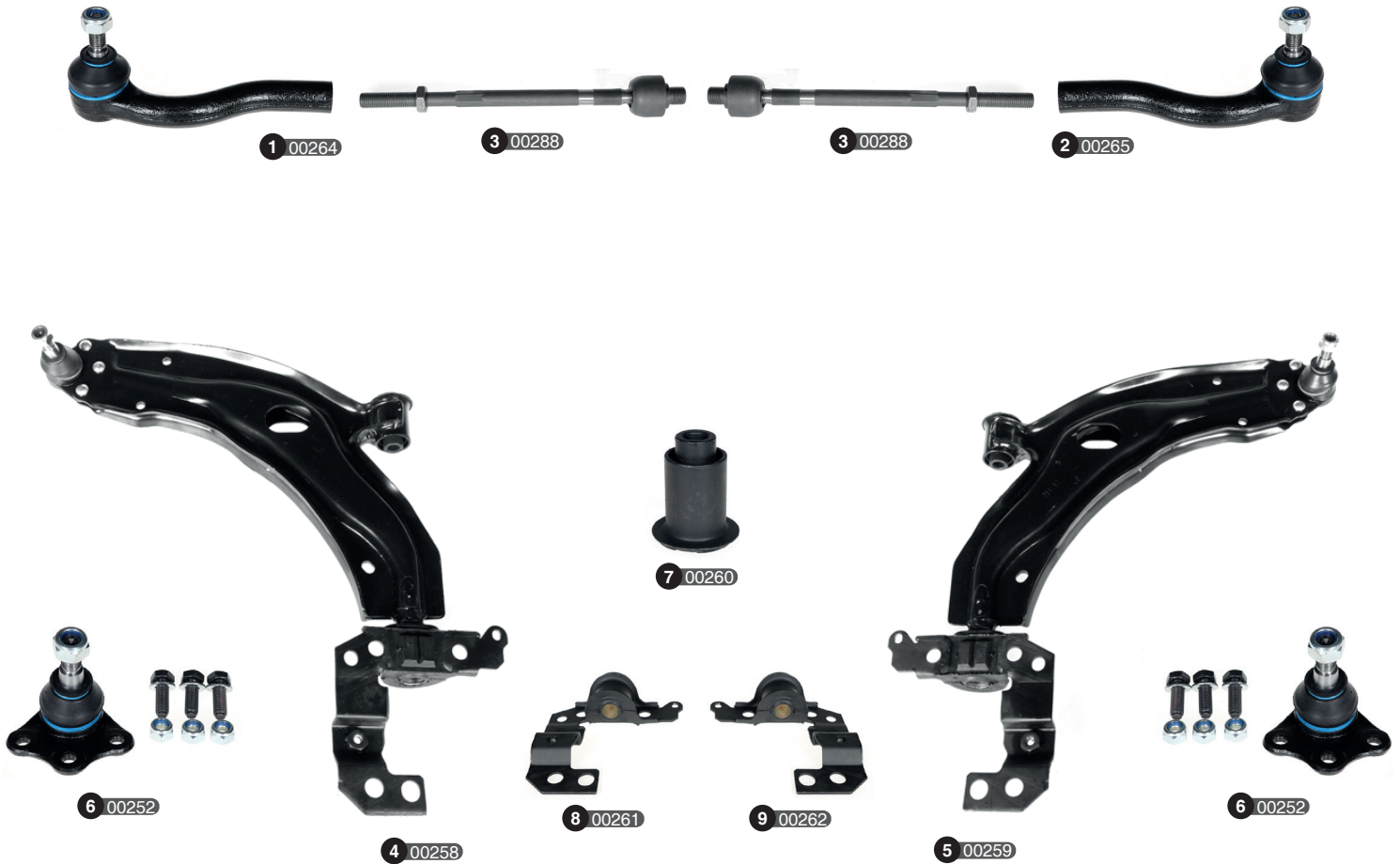
STILO (192) (10/2001-11/2010)  
STILO MULTIWAGON (192) (01/2003-08/2008)





Ref	Old code	CODE	Description	OE - Number	OE - Number	FEATURES	Ref	Old code	CODE	Description	OE - Number	OE - Number	FEATURES
1	FI002	00218	Stabilizer link	1540281	50700464	M10x1,5-289 mm (Front)	7	-	02802	Control arm complete-R	50705465	50705544	Lower (11/2006 ->)
2	FI084	00290	Tie rod end	9949218	-	M10x1,25-Female-M14x1,5-94 mm	8	-	02816	Control arm complete-L	50705083	-	2003 - 10/2006
3	FI081	00287	Axial joint	9949217	-	M14x1,5-M14x1,5-313 mm	9	-	02817	Control arm complete-R	50705084	-	2003 - 10/2006
4	-	01587	Control arm complete-L	50700797	-	"Lower - Forging-320,4 mm (-> 2003)"	10	-	05644	Control arm w/o ball joint	50705464 Part of	51827736 Part of	-
5	-	01586	Control arm complete-R	50700779	-	"Lower - Forging-320,4 mm (-> 2003)"	11	-	02168	Ball joint	50705463	51827736 Part of	Lower (11/2006 ->)
6	-	02801	Control arm complete-L	50705464	51827736	Lower (11/2006 ->)	12	-	02028	Bushing	50700778	-	"Big ( -> 2003 2003 - 10/2006 -11/2006 ->)"
							13	-	02029	Bushing	50700443	-	Small (-> 2003)
							14	-	02169	Bushing	50705083 Part of	-	Small (2003-10/2006) (11/2006->)





Ref	Old code	CODE	Description	OE - Number	OE - Number	FEATURES	Ref	Old code	CODE	Description	OE - Number	OE - Number	FEATURES
1	FI062-L	00264	Tie rod end-L	46456189	46745365	M10x1,5-Female-M14x1,5-145,5 mm	5	FI058-R	00259	Control arm complete-R	46539000	46777741	M12x1.25-338,5 mm
2	FI062-R	00265	Tie rod end-R	46456660	46745364	M10x1,25-Female-M14x1,5-145,5 mm	6	FI051	00252	Ball joint	46779293	46842581	Lower-M12x1,25
3	FI082	00288	Axial joint	7081851	-	M14x1,5-M16x1,5-264,5 mm	7	FI059	00260	Bushing	46421522	46539000 Part of	Small
4	FI058-L	00258	Control arm complete-L	46539001	46777742	M12x1.25-338,5 mm	8	FI060-L	00261	Bushing-L	46539001 Part of	46777742 Part of	Big
							9	FI060-R	00262	Bushing-R	46539000 Part of	46777741 Part of	Big



Ref	Old code	CODE	Description	OE - Number	OE - Number	FEATURES	Ref	Old code	CODE	Description	OE - Number	OE - Number	FEATURES
1	FI036	00251	Stabilizer link	60570627	60807583	M10x1,25-99 mm (Front)	5	FI005	00222	Axial joint	09941625	9941625	M12x1,5- M14x1,5-261 mm (PS)
2	FI003-L	00219	Tie rod end-L	60565706	60809612	"M10x1,25- Female- M12x1,5-128 mm (MS-PS)"	6	FI102-L	00307	Control arm complete-L	46423822	7777239	17-308,5 mm (09/1990 ->)
3	FI003-R	00220	Tie rod end-R	60565705	60809613	"M10x1,25- Female- M12x1,5-128 mm (MS-PS)"	7	FI102-R	00308	Control arm complete-R	46423823	7777240	17-308,5 mm (09/1990 ->)
4	FI004	00221	Axial joint	5958244	7633721	M12x1,5- M14x1,5-264 mm (MS)	8	FI153-L	00337	Control arm complete-L	46407372	46407372	15-308 mm (-> 09/1990)
							9	FI153-R	00338	Control arm complete-R	46407373	93501181	15-308 mm (-> 09/1990)
							10	FI029	00240	Bushing	7601064	-	Small
							11	FI028-L	00238	Bushing-L	7601065	-	Big
							12	FI028-R	00239	Bushing-R	7601068	-	Big



TIPO SALOON (356\_) (10/2015-->)  
TIPO HATCHBACK (357\_) (03/2016-->)  
TIPO ESTATE (357\_) (03/2016-->)



Ref	Old code	CODE	Description	OE - Number	OE - Number	FEATURES	Ref	Old code	CODE	Description	OE - Number	OE - Number	FEATURES
1	-	03784	Stabilizer link	51939949	53403318	Front	6	-	03779	Control arm w/o ball joint	52011612 Part of	52011614 Part of	-
2	-	03783	Tie rod end	77367379	77367379	M10x1.5- M14X1.5-135 mm	7	-	03782	Ball joint	52026562	52055603	Lower- M10x1.25-89.5 mm
3	-	03785	Axial joint	52014014 Part of	77367378 Part of	-	8	-	03801	Bushing	51983600	52011612 Part of	Big
4	-	03777	Control arm complete-L	52011614	52082896	-	9	-	03802	Bushing	51983599	51939753	Small
5	-	03778	Control arm complete-R	52011612	52082897	-							



Ref	Old code	CODE	Description	OE - Number	OE - Number	FEATURES	Ref	Old code	CODE	Description	OE - Number	OE - Number	FEATURES
1	PJ192	01032	Stabilizer link	1308664080	1317425080	M12x1,25-123 mm (Front)	4	FI105-L	00311	Control arm complete-L	1313083080	3321C5	17-308 mm
2	PJ058	00953	Tie rod end	306003080	405909	M10x1,25-Female-M14x1,5-76 mm	5	FI105-R	00312	Control arm complete-R	1313084080	352164	17-308 mm
3	PJ057	00952	Axial joint	3812A4	9566950880	M14x1,5-M14x1,5-304,5 mm	6	FI144	01601	Bushing	1312317080	-	Small
							7	FI143-L	01693	Bushing-L	1305551080	-	Big
							8	FI143-R	01694	Bushing-R	1305552080	-	Big







Ref	Old code	CODE	Description	OE - Number	OE - Number	FEATURES	Ref	Old code	CODE	Description	OE - Number	OE - Number	FEATURES
1	FI160	00341	Stabilizer link	1331209080	508751	M10x1,5-262,5 mm (Front)	9	-	05092	Control arm complete-R	1401239480	3521S0	2.2 JTD
2	-	01704	Tie rod end	405912	77362279	-	10	FI144	01601	Bushing	1312317080	-	Small (-> 06/2006)
3	-	01705	Axial joint	3812E2	77362280	M14x1,5- M14x1,5-315 mm	11	-	02527	Bushing	1401239480 Part of	3520R8 Part of	Inner (2.2 JTD)
4	-	01713	Control arm complete-L	1346384080	3520P6	17-319 mm (-> 06/2006)	12	-	05090	Bushing	1359398080 Part of	3520X0 Part of	07/2006 ->
5	-	01714	Control arm complete-R	1346385080	3521H1	17-319 mm (-> 06/2006)	13	-	02528	Bushing-L	1356060080 Part of	1497408080 Part of	" -> 06/2006 07/2006 ->"
6	-	05088	Control arm complete-L	1356060080	1359398080	07/2006 ->	14	-	02529	Bushing-R	1356061080 Part of	1497407080 Part of	" -> 06/2006 07/2006 ->"
7	-	05089	Control arm complete-R	1356061080	3521P6	07/2006 ->	15	-	05093	Bushing-L	1401239580 Part of	3520V8 Part of	2.2 JTD
8	-	05091	Control arm complete-L	1401239580	3520V8	2.2 JTD	16	-	05094	Bushing-R	1401239480 Part of	3521S0 Part of	2.2 JTD



Ref	Old code	CODE	Description	OE - Number	OE - Number	FEATURES	Ref	Old code	CODE	Description	OE - Number	OE - Number	FEATURES
1	FI008	00224	Tie rod end	5958246	5958247	M10x1,25-Female-M12x1,5-129 mm	5	TF003-R	01286	Control arm complete-R	5939685	7705616	M10x1.25-301 mm
2	FI004	00221	Axial joint	4410145	5958244	M12x1,5-M14x1,5-264 mm	6	TF002-L	01283	Control arm w/o ball joint-L	5939683 Part of	7705615 Part of	-
3	FI114	00316	Axial joint	5960321	127162449A	M14x1,5-M14x1,5-192 mm	7	TF002-R	01284	Control arm w/o ball joint-R	5939685 Part of	7705616 Part of	-
4	TF003-L	01285	Control arm complete-L	5939683	7705615	M10x1.25-301 mm	8	FI009	00225	Ball joint	4402644	4402649	Lower-M10x1,25
							9	TF101	01290	Bushing	5927292	7673581	Small
							10	TF102	01291	Bushing	07563151	7563151	Big



1 00251



1 00251



2 00010



2 00010



3 00013



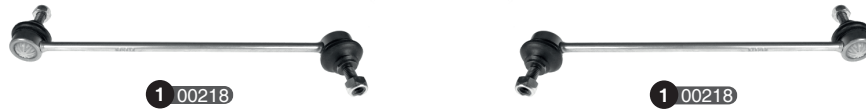
3 00013



Ref	Old code	CODE	Description	OE - Number	OE - Number	FEATURES	Ref	Old code	CODE	Description	OE - Number	OE - Number	FEATURES
1	-	00251	Stabilizer link	60570627	60807583	M12	3	-	00013	Ball joint	60566661	82446499	-
2	-	00010	Tie rod end	60507918	60511622	M14x1,5- M10x1,25-141,5 mm							



Ref	Old code	CODE	Description	OE - Number	OE - Number	FEATURES	Ref	Old code	CODE	Description	OE - Number	OE - Number	FEATURES
1	-	00218	Stabilizer link	1540281	1580517	M10x1,5 289 mm	4	-	07860	Control arm complete-R	50710670	51857024	-
2	-	07858	Axial joint	1541354	1541355	-	5	-	06341	Bushing	50703232 PART OF 1	51839219 PART OF 1	12,1 52,5
3	-	07859	Control arm complete-L	51857023	50710671	-	6	-	06338	Bushing	50703231 PART OF	50703232 PART OF	14,2 52



Ref	Old code	CODE	Description	OE - Number	OE - Number	FEATURES	Ref	Old code	CODE	Description	OE - Number	OE - Number	FEATURES
1	-	00218	Stabilizer link	1540281	1580517	M10x1,5 289 mm	4	-	07860	Control arm complete-R	50710670	51857024	-
2	-	07858	Axial joint	1541354	1541355	-	5	-	06341	Bushing	50703232 PART OF 1	51839219 PART OF 1	12,1 52,5
3	-	07859	Control arm complete-L	51857023	50710671	-	6	-	06338	Bushing	50703231 PART OF	50703232 PART OF	14,2 52



Ref	Old code	CODE	Description	OE - Number	OE - Number	FEATURES	Ref	Old code	CODE	Description	OE - Number	OE - Number	FEATURES
1	-	00218	Stabilizer link	1540281	1580517	M10x1,5 289 mm	4	-	07860	Control arm complete-R	50710670	51857024	-
2	-	07858	Axial joint	1541354	1541355	-	5	-	06341	Bushing	50703232 PART OF 1	51839219 PART OF 1	12,1 52,5
3	-	07859	Control arm complete-L	51857023	50710671	-	6	-	06338	Bushing	50703231 PART OF	50703232 PART OF	14,2 52







Ref	Old code	CODE	Description	OE – Number	OE – Number	FEATURES	Ref	Old code	CODE	Description	OE – Number	OE – Number	FEATURES
1	-	07481	STABILIZER LINK-LH	4056A198	6000605889	-	8	-	07484	CONTROL ARM-RH (LOWER) (COMPLETE)	4010A114	4010A148	-
2	-	07482	STABILIZER LINK-RH	4056A199	6000605890	-	9	-	07489	BALL JOINT (LOWER)	4010A113 PART OF 2	4010A114 PART OF 2	-
3	-	02382	TIE ROD END-LH	4422A009	4422A096	-	10	-	07490	BUSHING	4010A113 PART OF 3	4010A114 PART OF 3	-
4	-	02383	TIE ROD END-RH	4422A010	4422A097	-	11	-	07491	CONTROL ARM-LH (LOWER) (COMPLETE)	4013A405	4013A471	-
5	-	02533	AXIAL JOINT	4410A173	6000609635	- 200	12	-	07492	CONTROL ARM-RH (LOWER) (COMPLETE)	4013A406	4013A472	-
6	-	05053	BUSHING	6000609549	MR992256	-	13	-	02381	BALL JOINT (LOWER)	4013A090	4013A314	-
7	-	07483	CONTROL ARM-LH (LOWER) (COMPLETE)	4010A113	4010A147	-							

