



D  
A  
E  
W  
O  
O



Ref	Old code	CODE	Description	OE - Number	OE - Number	FEATURES	Ref	Old code	CODE	Description	OE - Number	OE - Number	FEATURES
1	-	02540	Stabilizer link	1603148	90009367	M8X1,25-197 mm	5	-	03769	Control arm complete-R	96185970	96218398	326,8 mm
2	DAW03-L	00200	Tie rod end-L	7846495	324039	M12x1,25-Male-M14x1,5-65 mm	6	DAW04	00202	Ball joint	1603120	1603164	-
3	DAW03-R	00201	Tie rod end-R	324038	7846485	M12x1,25-Male-M16x1,5-65 mm	7	-	03124	Bushing	352330	90193117	Small
4	-	03768	Control arm complete-L	96185969	96218397	326,8 mm	8	-	03123	Bushing	352335	90235040	Big



Ref	Old code	CODE	Description	OE - Number	OE - Number	FEATURES	Ref	Old code	CODE	Description	OE - Number	OE - Number	FEATURES
1	DAW16	00210	Stabilizer link	96275798	96391875	M10x1,25-260 mm	5	-	01798	Control arm complete-L	96535081	-	M12x1,25-336 mm
2	DAW17-L	00211	Tie rod end-L	93740622	93740722	M12x1,25-Female-M12x1,5-190 mm	6	-	01799	Control arm complete-R	96535082	-	M12x1,25-336 mm
3	DAW17-R	00212	Tie rod end-R	93740623	93740723	M12x1,25-Male-M12x1,5-190 mm	7	DAW12	00204	Ball joint	96535089	-	M12x1,25
4	-	01860	Axial joint	96535300	-	M12x1,5-M16x1,5-200 mm	8	-	02011	Bushing	96535087	-	Small
							9	-	02012	Bushing	96653381	-	Big
							10	-	02002	Control arm w/o ball joint	96535081 Part of	96535082 Part of	-



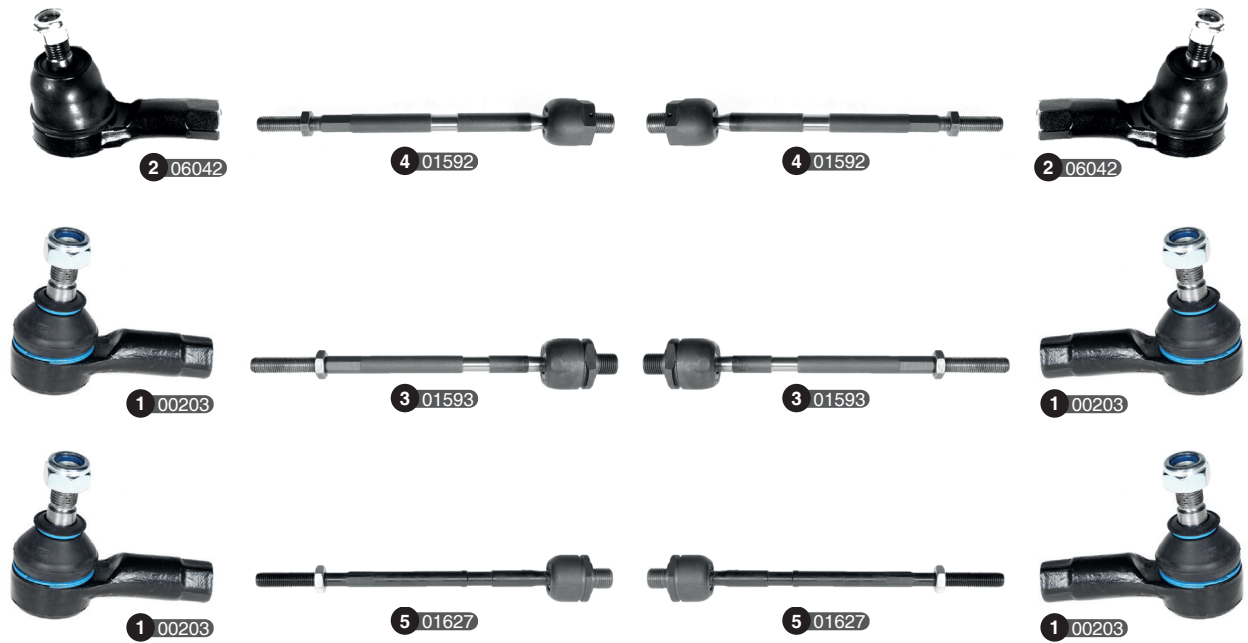
Ref	Old code	CODE	Description	OE - Number	OE - Number	FEATURES	Ref	Old code	CODE	Description	OE - Number	OE - Number	FEATURES
1	-	04414	Stabilizer link	4475005000	4475005001	-	4	-	05078	Ball joint	4443003010	4443003011	-
2	-	05076	Tie rod end	4666005501	4666005502	-	5	-	05079	Ball joint	4450505000	4450505001	-
3	-	05077	Axial joint	89018	-	-							



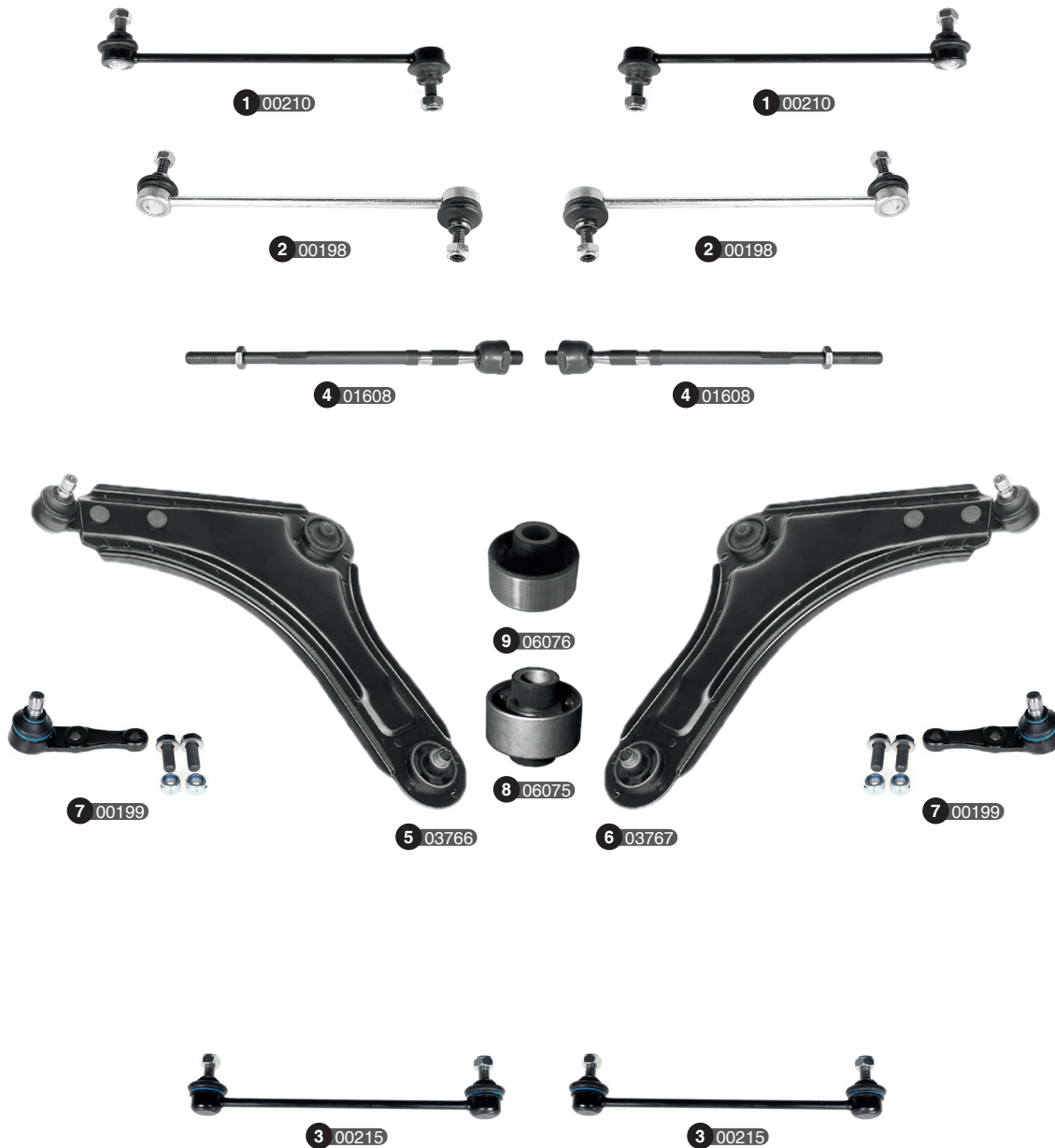
Ref	Old code	CODE	Description	OE - Number	OE - Number	FEATURES	Ref	Old code	CODE	Description	OE - Number	OE - Number	FEATURES
1	-	02540	Stabilizer link	1603148	90009367	M8X1,25-197 mm	5	-	03769	Control arm complete-R	96185970	96445374	326,8 mm
2	DAW03-L	00200	Tie rod end-L	26001807	7846495	M12x1,25-Male-M14x1,5-65 mm	6	DAW04	00202	Ball joint	1603120	1603164	-
3	DAW03-R	00201	Tie rod end-R	324038	7846485	M12x1,25-Male-M16x1,5-65 mm	7	-	03124	Bushing	352330	90193117	Small
4	-	03768	Control arm complete-L	96185969	96445373	326,8 mm	8	-	03123	Bushing	352335	90235040	Big



Ref	Old code	CODE	Description	OE - Number	OE - Number	FEATURES	Ref	Old code	CODE	Description	OE - Number	OE - Number	FEATURES
1	DAW20	00216	Stabilizer link	96207628	-	Rear	4	-	01577	Axial joint	520898	-	M14x1,5- M16x1,5-359 mm
2	DAW14-L	00206	Stabilizer link-L	96225858	-	M10x1,25-79 mm		-	01567	Ball joint	96213119	-	-
3	DAW14-R	00207	Stabilizer link-R	96225859	-	M10x1,25-79 mm		-	01567	Ball joint	96213119	-	-



Ref	Old code	CODE	Description	OE - Number	OE - Number	FEATURES	Ref	Old code	CODE	Description	OE - Number	OE - Number	FEATURES
1	DAW05	00203	Tie rod end	48810A78B00	521136	M12x1,25- Female- M12x1,5-70,5 mm	4	-	01592	Axial joint	93741092	KBJR45	M12x1,5- M16x1,5-254 mm
2	-	06042	Tie rod end	93741091	KBJO29	-							
3	-	01593	Axial joint	521255	-	M12x1,5- M16x1,5-250 mm	5	-	01627	Axial joint	521257	93741075	M12x1,5- M16x1,5-256 mm



Ref	Old code	CODE	Description	OE - Number	OE - Number	FEATURES	Ref	Old code	CODE	Description	OE - Number	OE - Number	FEATURES
1	DAW16	00210	Stabilizer link	96275798	96391875	M10x1,25-260 mm	5	-	03766	Control arm complete-L	96268454	-	315,3 mm
2	DAW01	00198	Stabilizer link	96300627	-	M10x1,25-264 mm	6	-	03767	Control arm complete-R	96268455	-	315,3 mm
3	DAW19	00215	Stabilizer link	96300222	96391876	M10x1,25-246 mm Rear	7	DAW02	00199	Ball joint	96300048	-	-
							8	-	06075	Bushing	96305974 Part of	96305975 Part of	-
4	-	01608	Axial joint	520672	520838	M14x1,5- M16x1,5-343 mm	9	-	06076	Bushing	96305974 Part of	96305975 Part of	-





Ref	Old code	CODE	Description	OE - Number	OE - Number	FEATURES	Ref	Old code	CODE	Description	OE - Number	OE - Number	FEATURES
1	-	01824	Stabilizer link	96561754	-	M10x1,5-217 mm-Plastic Rear	6	-	01825	Control arm complete-L	96391850	96415063	18-372,4 mm
2	DAW15-L	00208	Stabilizer link-L	96403099	-	M10x1,25-271 mm	7	-	01826	Control arm complete-R	96391851	96415064	18-372,4 mm
3	DAW15-R	00209	Stabilizer link-R	96403100	-	M10x1,25-271 mm	8	DAW13	00205	Ball joint	96490218	-	18
4	DAW18-L	00213	Tie rod end-L	96407485	-	M12x1,5-Female- M14x1,5-142 mm	9	DAW22	02015	Bushing	96391856	-	Big
5	DAW18-R	00214	Tie rod end-R	96407486	-	M12x1,5-Female- M14x1,5-142 mm	10	DAW21	02016	Bushing	96378346	-	Small
							11	-	02004	Control arm w/o ball joint	96391850 Part of	96415064 Part of	-