



I
P
D
A



100 (44-44Q-C3)(08/1982-11/1990)
100 AVANT (44-44Q-C3)(08/1982-11/1990)
100 QUATTRO (08/1982-11/1990)



| Ref | Old code | CODE | Description | OE - Number | OE - Number | FEATURES | Ref | Old code | CODE | Description | OE - Number | OE - Number | FEATURES |
|-----|----------|-------|---------------|-------------|-------------|------------------------------|-----|----------|-------|---------------|-------------|-------------|----------|
| 1 | AU042-L | 00070 | Tie rod end-L | 443419811B | 443419811D | M12x1,5-Female-M16x1,5-75 mm | 3 | AU043-L | 00072 | Tie rod end-L | 443419811A | 443419811C | - |
| 2 | AU042-R | 00071 | Tie rod end-R | 443419812B | 443419812D | M12x1,5-Female-M16x1,5-75 mm | 4 | AU043-R | 00073 | Tie rod end-R | 443419812A | 443419812C | - |



100 (4A-C4) (12/1990-07/1994)
100 AVANT (4A-C4) (12/1990-11/1994)
100 QUATTRO (12/1990-11/1994)



2 00074



3 00075



4 00070



5 00071



6 02072



7 02073



1 00032



1 00032



| Ref | Old code | CODE | Description | OE - Number | OE - Number | FEATURES | Ref | Old code | CODE | Description | OE - Number | OE - Number | FEATURES |
|-----|----------|-------|-----------------|-------------|-------------|------------------------------|-----|----------|-------|---------------------|-------------|-------------|------------------------------|
| 1 | AU002 | 00032 | Stabilizer link | 4A0505389 | - | M10x1,5-122,5 mm Rear | 4 | AU042-L | 00070 | Tie rod end-L | 443419811B | 443419811D | M12x1,5-Female-M16x1,5-75 mm |
| 2 | AU044-L | 00074 | Tie rod end-L | 4A0419811A | - | M12x1,5-Female-M18x1,5-78 mm | 5 | AU042-R | 00071 | Tie rod end-R | 443419812B | 443419812D | M12x1,5-Female-M16x1,5-75 mm |
| 3 | AU044-R | 00075 | Tie rod end-R | 4A0419812A | - | M12x1,5-Female-M18x1,5-78 mm | 6 | - | 02072 | Track Control arm-L | 4A0407151 | - | - |
| | | | | | | | 7 | - | 02073 | Track Control arm-R | 4A0407152 | - | - |



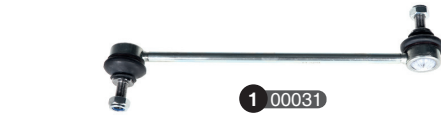
200 (44-44Q) (06/1983-12/1991)
200 AVANT (44-44Q) (09/1983-12/1991)
200 QUATTRO (08/1983-12/1991)



| Ref | Old code | CODE | Description | OE - Number | OE - Number | FEATURES | Ref | Old code | CODE | Description | OE - Number | OE - Number | FEATURES |
|-----|----------|-------|---------------|-------------|-------------|------------------------------|-----|----------|-------|---------------|-------------|-------------|------------------------------|
| 1 | AU042-L | 00070 | Tie rod end-L | 443419811B | 443419811D | M12x1,5-Female-M16x1,5-75 mm | 2 | AU042-R | 00071 | Tie rod end-R | 443419812B | 443419812D | M12x1,5-Female-M16x1,5-75 mm |



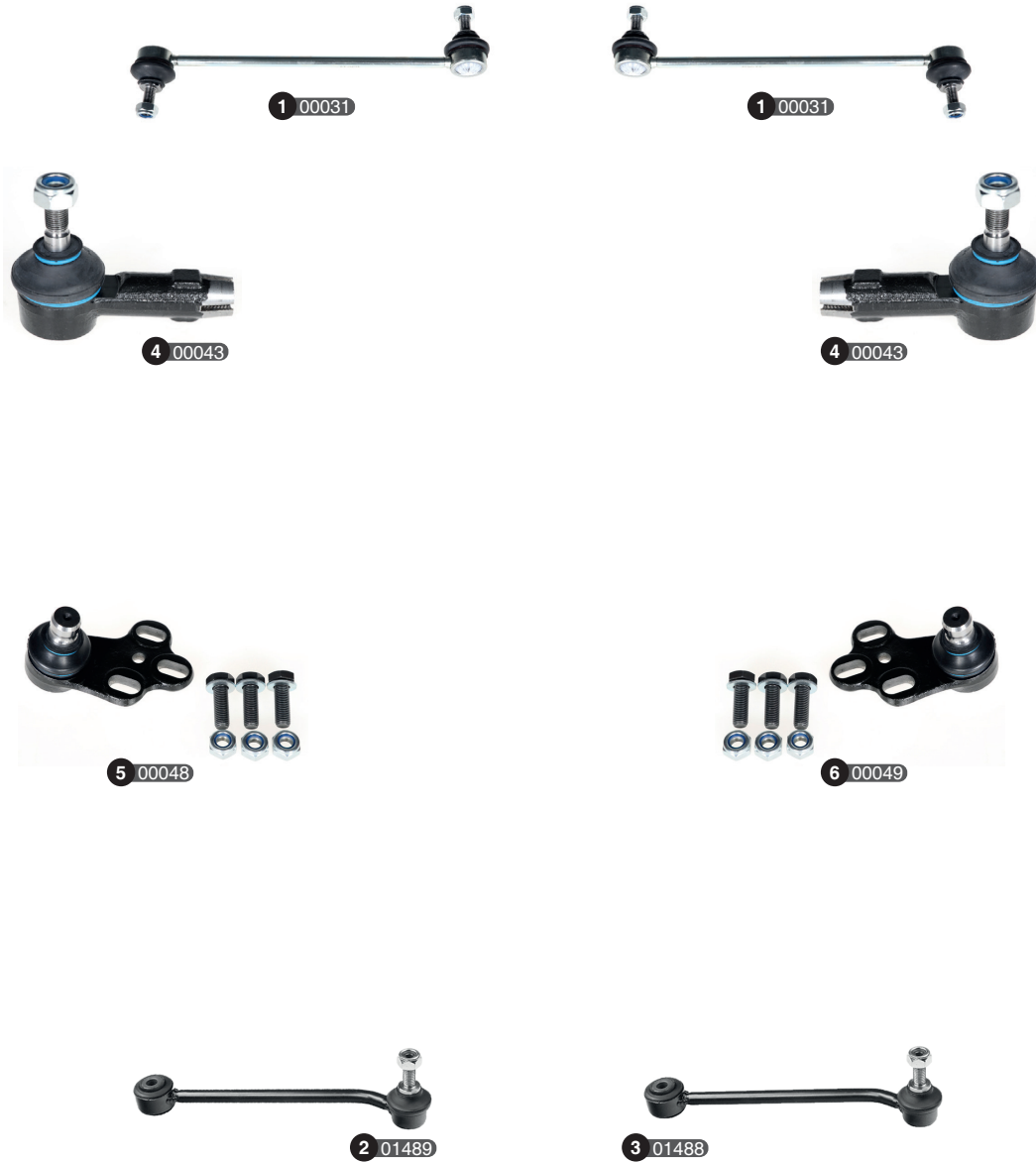
| Ref | Old code | CODE | Description | OE - Number | OE - Number | FEATURES | Ref | Old code | CODE | Description | OE - Number | OE - Number | FEATURES |
|-----|----------|-------|-------------|-------------|-------------|----------------------------|-----|----------|-------|--------------|-------------|-------------|----------|
| 1 | AU016 | 00043 | Tie rod end | 811419812A | 8A0419812 | M10x1-Female-M14x1,5-75 mm | 2 | AU035 | 00062 | Ball joint | 823407365A | 823407365C | - |
| | | | | | | | 3 | AU029-L | 00060 | Ball joint-L | 855407365A | 855407365B | 17 |
| | | | | | | | 4 | AU029-R | 00061 | Ball joint-R | 855407366A | 855407366B | 17 |



| Ref | Old code | CODE | Description | OE - Number | OE - Number | FEATURES | Ref | Old code | CODE | Description | OE - Number | OE - Number | FEATURES |
|-----|----------|-------|-----------------|-------------|-------------|----------------------------|-----|----------|-------|--------------|-------------|-------------|----------|
| 1 | AU001 | 00031 | Stabilizer link | 893407465 | 8A0407465C | M10x1,25-271,5 mm | 3 | AU029-L | 00060 | Ball joint-L | 855407365A | 855407365B | Lower-17 |
| | | | | | | | 4 | AU029-R | 00061 | Ball joint-R | 855407366A | 855407366B | Lower-17 |
| 2 | AU016 | 00043 | Tie rod end | 811419812A | 8A0419812 | M10x1-Female-M14x1,5-75 mm | 5 | AU039-L | 00067 | Ball joint-L | 893407365A | - | Lower-19 |
| | | | | | | | 6 | AU039-R | 00068 | Ball joint-R | 893407366A | - | Lower-19 |



80 (8C-B4) (09/1991-12/1994)
80 AVANT (8C-B4) (09/1991-01/1996)
80 QUATTRO (09/1991-07/1996)



| Ref | Old code | CODE | Description | OE - Number | OE - Number | FEATURES | Ref | Old code | CODE | Description | OE - Number | OE - Number | FEATURES |
|-----|----------|-------|-------------------|-------------|-------------|---------------------|-----|----------|-------|--------------|-------------|-------------|----------------------------|
| 1 | AU001 | 00031 | Stabilizer link | 893407465 | 8A0407465C | M10x1,25-271,5 mm | 4 | AU016 | 00043 | Tie rod end | 811419812A | 8A0419812 | M10x1-Female-M14x1,5-75 mm |
| 2 | - | 01489 | Stabilizer link-L | 8A0505465C | - | M10x1,5-228 mm Rear | 5 | AU021-L | 00048 | Ball joint-L | 895407365 | 8A0407365 | Lower-19 |
| 3 | - | 01488 | Stabilizer link-R | 8A0505466C | - | M10x1,5-228 mm Rear | 6 | AU021-R | 00049 | Ball joint-R | 895407366 | 8A0407366 | Lower-19 |



1 00043



1 00043



2 00060



3 00061



| Ref | Old code | CODE | Description | OE - Number | OE - Number | FEATURES | Ref | Old code | CODE | Description | OE - Number | OE - Number | FEATURES |
|-----|----------|-------|-------------|-------------|-------------|----------------------------|-----|----------|-------|--------------|-------------|-------------|----------|
| 1 | AU016 | 00043 | Tie rod end | 811419812A | 8A0419812 | M10x1-Female-M14x1,5-75 mm | 2 | AU029-L | 00060 | Ball joint-L | 855407365A | 855407365B | Lower-17 |
| | | | | | | | 3 | AU029-R | 00061 | Ball joint-R | 855407366A | 855407366B | Lower-17 |



1 00031



1 00031



2 00043



2 00043



3 00060



4 00061



5 00067



6 00068



| Ref | Old code | CODE | Description | OE - Number | OE - Number | FEATURES | Ref | Old code | CODE | Description | OE - Number | OE - Number | FEATURES |
|-----|----------|-------|-----------------|-------------|-------------|----------------------------|-----|----------|-------|--------------|-------------|-------------|----------|
| 1 | AU001 | 00031 | Stabilizer link | 893407465 | 8A0407465C | M10x1,25-271,5 mm | 3 | AU029-L | 00060 | Ball joint-L | 855407365A | 855407365B | Lower-17 |
| | | | | | | | 4 | AU029-R | 00061 | Ball joint-R | 855407366A | 855407366B | Lower-17 |
| 2 | AU016 | 00043 | Tie rod end | 811419812A | 8A0419812 | M10x1-Female-M14x1,5-75 mm | 5 | AU039-L | 00067 | Ball joint-L | 893407365A | - | Lower-19 |
| | | | | | | | 6 | AU039-R | 00068 | Ball joint-R | 893407366A | - | Lower-19 |



A1 (8X1, 8XK) (05-2010-->)
A1 SPORTBACK (8XA, 8XF) (2011-->)







| Ref | Old code | CODE | Description | OE – Number | OE – Number | FEATURES | Ref | Old code | CODE | Description | OE – Number | OE – Number | FEATURES |
|-----|----------|-------|------------------------------------|---------------------------|-----------------------|---|-----|----------|-------|------------------------|-------------------------|-----------------------|-----------------------------------|
| 1 | - | 03599 | Stabilizer link | 6R0411315- Part of | 6R0411315- Part of | Front -M10x1,25- 270 mm | 17 | - | 02552 | Ball joint-L | 6R0407365 | - | Lower- M12x1,5 |
| 2 | - | 03916 | Stabilizer link | 5Q0505465A | 5Q0505465C | Rear | 18 | - | 02553 | Ball joint-R | 6R0407366 | - | Lower- M12x1,5 |
| 3 | SK001 | 01256 | Stabilizer link | 6R0411315A | 6Q0411315J | Front- M10x1,5-272 mm | 19 | VW012 | 01388 | Bushing | 357407182 | - | Small |
| 4 | - | 01680 | Stabilizer link | 1K0505465AA | 1K0505465K | Rear- M10x1,5-95 mm | 20 | VW013 | 01389 | Bushing | 1J0407181 | - | Big |
| 5 | SE002-L | 01248 | Tie rod end-L | 6Q0419811C | 6R0423811 | M12x1,5- Female- M16x1,5-94 mm | 21 | - | 03284 | Bushing | 6R0407181B | 8N0407181B | Big |
| 6 | SE002-R | 01249 | Tie rod end-R | 6Q0419812 | 6R0423812 | M12x1,5- Female- M14x1,5-94 mm | 22 | - | 03660 | Bushing | 5Q0505323C- Part of | 5Q0505323D PARTOF2 | - |
| 7 | - | 03229 | Axial joint | 4B0419801B | 6R0423810A | M14x1,5- M14x1,5-313 mm | 23 | - | 03662 | Bushing | 5Q0505323C- Part of | 5Q0505323D PARTOF3 | - |
| 8 | - | 01902 | Axial joint | 6C0423810B | 8Z0423810G | M14x1,5- M14x1,5-313 mm | 24 | - | 03911 | Bushing | 1K0505541B | 5Q0505541A | - |
| 9 | - | 02556 | Control arm complete-L | 6R0407151A+ 5U0407365A | - | M12x1,5-383 mm | 25 | - | 03583 | Bushing | 1K0505145J | - | - |
| 10 | - | 02557 | Control arm complete-R | 6R0407152A+ 5U0407366A | - | M12x1,5-383 mm | 26 | - | 03582 | Bushing | 1K0505145K | - | - |
| 11 | - | 03280 | Control arm complete-L | 6R0407151B | 6R0407151BC | M12x1,5-383 mm | 27 | - | 03575 | Bushing | 1K0501529F Part of 1 | 1K0501529F PARTOF1 | - |
| 12 | - | 03281 | Control arm complete-R | 6R0407152B | 6R0407152BC | M12x1,5-383 mm | 28 | - | 02182 | Bushing | 1K0501529F Part of 2 | - | - |
| 13 | - | 02554 | Control arm w/o ball joint-L | 6R0407151A | - | - | 29 | - | 03576 | Bushing | 1K0505541C | 3C0505541 | - |
| 14 | - | 02555 | Control arm w/o ball joint-R | 6R0407152A | - | - | 30 | - | 03580 | Bushing | 5Q0505145D | - | - |
| 15 | - | 03282 | Control arm w/o ball joint-L | 6R0407151B Part of | - | - | 31 | - | 03581 | Axle Bushing | 5Q0505145E | - | - |
| 16 | - | 03283 | Control arm w/o ball joint-R | 6R0407152B Part of | - | - | 32 | - | 05371 | Track Control arm-L | 1K0505223H | 1K0505223K | - |
| | | | | | | | 33 | - | 05372 | Track Control arm-R | 1K0505224H | 1K0505224K | - |
| | | | | | | | 34 | - | 05404 | Track Control arm-L | 6R0505223 | - | - |
| | | | | | | | 35 | - | 05405 | Track Control arm-R | 6R0505224 | - | - |
| | | | | | | | 36 | - | 03573 | Track rod | 5Q0505323C | 5Q0505323D | Rear-305,6 mm - 12,1- 45 mm |
| | | | | | | | 37 | - | 03915 | Track rod | 5Q0501529C | - | Rear |
| | | | | | | | 38 | - | 02183 | Track rod | 1K0505323G | 1K0505323P | - |
| | | | | | | | 39 | - | 02179 | Track rod | 1K0501529F | 7N0501529 | - |





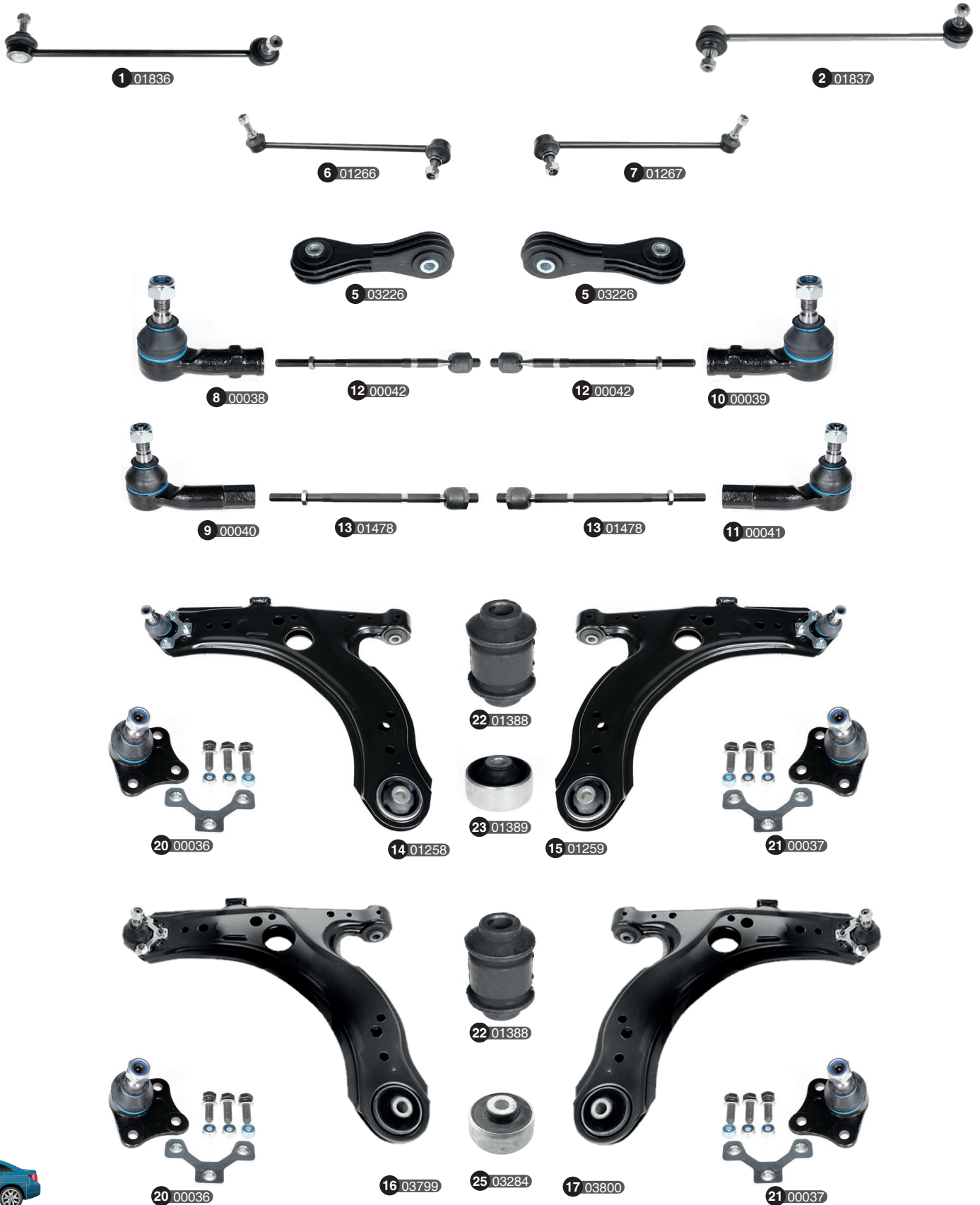
| Ref | Old code | CODE | Description | OE - Number | OE - Number | FEATURES | Ref | Old code | CODE | Description | OE - Number | OE - Number | FEATURES |
|-----|----------|-------|-----------------|-------------|-------------|--------------------------------------|-----|----------|-------|-------------|-------------|-------------|----------------------------|
| 1 | - | 01715 | Stabilizer link | 8Z0411315B | 8Z0411315C | M10x1,5-59 mm | 4 | - | 01902 | Axial joint | 6C0423810B | 8Z0423810G | M14x1,5- M14x1,5-313 mm |
| 2 | AU013-L | 00040 | Tie rod end-L | 1J0422811B | - | M12x1,5- Female- M14x1,5-94 mm | | | | | | | |
| 3 | AU013-R | 00041 | Tie rod end-R | 1J0422812B | - | M12x1,5- Female- M14x1,5-94 mm | | | | | | | |
| | | | | | | | 5 | - | 03229 | Axial joint | 4B0419801B | 6R0423810A | M14x1,5- M14x1,5-313 mm |



| Ref | Old code | CODE | Description | OE - Number | OE - Number | FEATURES | Ref | Old code | CODE | Description | OE - Number | OE - Number | FEATURES |
|-----|----------|-------|-----------------|-------------------|-------------------|-----------------|-----|----------|-------|---------------|-------------|-------------|----------------------------|
| 1 | SK001 | 01256 | Stabilizer link | 6Q0411315A | 6Q0411315J | M10x1,5-272 mm | 4 | - | 01468 | Tie rod end-R | 6X0422812 | 8Z0423812A | - |
| 2 | - | 03599 | Stabilizer link | 6Q0411315 PART OF | 6R0411315 PART OF | M10x1,25-270 mm | 5 | - | 03229 | Axial joint | 4B0419801B | 6R0423810A | M14x1,5- M14x1,5-313 mm |
| 3 | - | 01469 | Tie rod end-L | 6X0422811 | 8Z0423811A | - | | | | | | | |



| Ref | Old code | CODE | Description | OE - Number | OE - Number | FEATURES | Ref | Old code | CODE | Description | OE - Number | OE - Number | FEATURES |
|-----|----------|-------|-----------------|-------------------|-------------------|------------------------------|-----|----------|-------|---------------|-------------|-------------|------------------------------|
| 1 | SK001 | 01256 | Stabilizer link | 6R0411315A | 6Q0411315J | M10x1,5-272 mm | 4 | AU013-R | 00041 | Tie rod end-R | 1J0422812B | - | M12x1,5-Female-M14x1,5-94 mm |
| 2 | - | 03599 | Stabilizer link | 6Q0411315 PART OF | 6R0411315 PART OF | M10x1,25-270 mm | | | | | | | |
| 3 | AU013-L | 00040 | Tie rod end-L | 1J0422811B | - | M12x1,5-Female-M14x1,5-94 mm | 5 | - | 03229 | Axial joint | 4B0419801B | 6R0423810A | M14x1,5-M14x1,5-313 mm |





| Ref | Old code | CODE | Description | OE – Number | OE – Number | FEATURES | Ref | Old code | CODE | Description | OE – Number | OE – Number | FEATURES |
|-----|----------|-------|-------------------|-------------|-------------|--------------------------------------|-----|----------|-------|----------------------------|----------------------------|-------------|------------------------------|
| 1 | VW010 | 01386 | Stabilizer link-L | 1J0411315 | 1J0411315G | M10x1,5-105 mm | 12 | AU015 | 00042 | Axial joint | 1J0422807B | - | M14x1,5- M16x1,5-338 mm |
| 2 | VW011 | 01387 | Stabilizer link-R | 1J0411315C | 1J0411315J | M10x1,5-105 mm | 13 | - | 01478 | Axial joint | 1J0422807 | 1J0422807A | M14x1,5- M16x1,5-318,5 mm |
| 3 | - | 01717 | Stabilizer link | 1J0505466B | - | M10x1,5-176 mm Rear | 14 | SK004-L | 01258 | Control arm complete-L | 1J0407151A+ 1J0407365A | - | 347,5 mm |
| 4 | - | 01718 | Stabilizer link | 1J0505466C | - | Rear- M10x1,5-195 mm | 15 | SK004-R | 01259 | Control arm complete-R | 1J0407151A+ 1J0407366A | - | M12x1,5-392,5 mm |
| 5 | - | 03226 | Stabilizer link | 1J0411315H | - | 105 mm | 16 | - | 03799 | Control arm complete-L | 1J0407151CS1R | - | - |
| 6 | SK035-L | 01266 | Stabilizer link-L | 1J0411315D | - | M12x1,5-334 mm | 17 | - | 03800 | Control arm complete-R | 1J0407151CS2R | - | - |
| 7 | SK035-R | 01267 | Stabilizer link-R | 1J0411316D | - | M12x1,5-334 mm | 18 | SK003 | 01257 | Control arm w/o ball joint | 1J0407151A | 1J0407151C | - |
| 8 | AU012-L | 00038 | Tie rod end-L | 1J0422811 | 1J0422811C | M12x1,5- Female- M14x1,5-75 mm | 19 | - | 03798 | Control arm w/o ball joint | 1J0407151CS1R PART OF 1 | - | - |
| 9 | AU013-L | 00040 | Tie rod end-L | 1J0422811B | - | M12x1,5- Female- M14x1,5-94 mm | 20 | AU011-L | 00036 | Ball joint-L | 1J0407365A | 1J0407365D | Lower-M12x1,5 |
| 10 | AU012-R | 00039 | Tie rod end-R | 1J0422812 | 1J0422812A | M12x1,5- Female- M14x1,5-75 mm | 21 | AU011-R | 00037 | Ball joint-R | 1J0407366AS | 1J0407366D | Lower-M12x1,5 |
| 11 | AU013-R | 00041 | Tie rod end-R | 1J0422812B | - | M12x1,5- Female- M14x1,5-94 mm | 22 | VW012 | 01388 | Bushing | 357407182 | - | - |
| | | | | | | | 23 | VW013 | 01389 | Bushing | 1J0407181 | - | Big |
| | | | | | | | 24 | - | 02178 | Bushing | 1J0501541C | - | - |
| | | | | | | | 25 | - | 03284 | Bushing | 6R0407181B | 8N0407181B | Big |
| | | | | | | | 26 | - | 04834 | Track rod | 1J0505323E | 1J0505323L | Rear |



A3 (8P1) (05/2003-08/2012)
A3 SPORTBACK (8PA) (09/2004-03/2013)
A3 CABRIO (8P7) (04/2008-05/2013)





A3 (8P1) (05/2003-08/2012)
A3 SPORTBACK (8PA) (09/2004-03/2013)
A3 CABRIO (8P7) (04/2008-05/2013)



| Ref | Old code | CODE | Description | OE - Number | OE - Number | FEATURES | Ref | Old code | CODE | Description | OE - Number | OE - Number | FEATURES |
|-----|----------|-------|------------------------------|-----------------------|-------------------|------------------------------|-----|----------|-------|---------------------|--------------------|--------------------|---------------|
| 1 | VW061 | 01437 | Stabilizer link | 1K0411315B | 5Q0411315B | M12x1,5-334 mm | 12 | VW055-L | 01429 | Ball joint-L | 1K0407365B | 5Q0407365B | Lower-M12x1,5 |
| 2 | - | 01680 | Stabilizer link | 1K0505465C | 1K0505465K | Rear-M10x1,5-95 mm | 13 | VW055-R | 01430 | Ball joint-R | 5Q0407366A | 5Q0407366B | Lower-M12x1,5 |
| 3 | - | 03612 | Stabilizer link | 1K0411315B-Part of | 1K0411315B PARTOF | M12x1,5-335 mm | 14 | VW081 | 01457 | Bushing | 1K0407182 | 1K0407182A | - |
| 4 | - | 05415 | Stabilizer link | 1K0505465C | - | Rear | 15 | - | 02182 | Bushing | 1K0501529F-Part of | - | - |
| 5 | VW079-L | 01453 | Tie rod end-L | 1K0423811B | 3C0423811C | M12x1,5-Female-M16x1,5-95 mm | 16 | - | 03575 | Bushing | 1K0501529F-Part of | 1K0501529F PARTOF1 | - |
| 6 | VW079-R | 01454 | Tie rod end-R | 1K0423812A | 3C0423812C | M12x1,5-Female-M16x1,5-95 mm | 17 | - | 03581 | Axle Bushing | 5Q0505145E | - | - |
| 7 | VW054 | 01428 | Axial joint | 1K0423810A | - | M16x1,5-M16x1,5-306,5 mm | 18 | - | 03582 | Bushing | 1K0505145K | - | - |
| 8 | VW078-L | 01769 | Control arm complete-L | 1K0407151M+1K0407365B | - | M12x1,5-375 mm | 19 | - | 03660 | Bushing | 5Q0505323C-Part of | 5Q0505323D PARTOF2 | - |
| 9 | VW078-R | 01770 | Control arm complete-R | 1K0407151M+1K0407366B | - | M12x1,5-375 mm | 20 | - | 03662 | Bushing | 5Q0505323C-Part of | 5Q0505323D PARTOF3 | - |
| 10 | VW077-L | 02392 | Control arm w/o ball joint-L | 1K0407151M | - | - | 21 | - | 03911 | Bushing | 1K0505541B | 5Q0505541A | - |
| 11 | VW077-R | 02393 | Control arm w/o ball joint-R | 1K0407152M | - | - | 22 | VW080-L | 01455 | Bushing-L | 1K0199231G | 1K0199231H | - |
| | | | | | | | 23 | VW080-R | 01456 | Bushing-R | 1K0199232H | - | - |
| | | | | | | | 24 | - | 05371 | Track Control arm-L | 1K0505223H | 1K0505223K | Rear |
| | | | | | | | 25 | - | 05372 | Track Control arm-R | 1K0505224H | 1K0505224K | Rear |
| | | | | | | | 26 | - | 02179 | Track rod | 1K0501529J | 7N0501529 | Rear |
| | | | | | | | 27 | - | 02183 | Track rod | 1K0505323H | 1K0505323P | Rear |



A3 (8V1, 8VK) (04/2012-->)
A3 SPORTBACK (8VA, 8VF) (09/2012-->)
A3 BERLINE (8VS, 8VM) (05/2013-->)
A3 CABRIO (8V7, 8VE) (10/2013-->)





A3 (8V1, 8VK) (04/2012-->)
A3 SPORTBACK (8VA, 8VF) (09/2012-->)
A3 BERLINE (8VS, 8VM) (05/2013-->)
A3 CABRIO (8V7, 8VE) (10/2013-->)



| Ref | Old code | CODE | Description | OE - Number | OE - Number | FEATURES | Ref | Old code | CODE | Description | OE - Number | OE - Number | FEATURES |
|-----|----------|-------|------------------------------|-----------------------|-----------------------|------------------------------|-----|----------|-------|------------------------------|--------------------|--------------------|----------------------------|
| 1 | VW061 | 01437 | Stabilizer link | 1K0411315B | 5Q0411315B | M12x1,5-334 mm | 12 | - | 03593 | Control arm w/o ball joint-R | 5Q0407152J | 5Q0407154E | - |
| 2 | - | 03612 | Stabilizer link | 1K0411315B-Part of | 1K0411315B PARTOF | M12x1,5-335 mm | 13 | VW055-L | 01429 | Ball joint-L | 1K0407365B | 5Q0407365B | Lower-M12x1,5 |
| 3 | - | 03916 | Stabilizer link | 5Q0505465A | 5Q0505465C | Rear | 14 | VW055-R | 01430 | Ball joint-R | 5Q0407366A | 5Q0407366B | Lower-M12x1,5 |
| 4 | VW079-L | 01453 | Tie rod end-L | 1K0423811B | 3C0423811C | M12x1,5-Female-M16x1,5-95 mm | 15 | - | 01877 | Ball joint-L | 3C0407365B | - | Lower-M12x1,5 |
| | | | | | | | 16 | - | 01878 | Ball joint-R | 3C0407366B | - | Lower-M12x1,5 |
| | | | | | | | 17 | - | 03580 | Bushing | 5Q0505145D | - | - |
| 5 | VW079-R | 01454 | Tie rod end-R | 1K0423812A | 3C0423812C | M12x1,5-Female-M16x1,5-95 mm | 18 | - | 03581 | Axle Bushing | 5Q0505145E | - | - |
| | | | | | | | 19 | - | 03596 | Bushing | 5Q0407182F | 5Q0407183E | - |
| | | | | | | | 20 | - | 03660 | Bushing | 5Q0505323C-Part of | 5Q0505323D PARTOF2 | - |
| 6 | VW054 | 01428 | Axial joint | 1K0423810A | - | M16x1,5-M16x1,5-306,5 mm | 21 | - | 03662 | Bushing | 5Q0505323C-Part of | 5Q0505323D PARTOF3 | - |
| | | | | | | | 22 | - | 03908 | Axle Bushing | 5Q0501541C | 5Q0505145G | - |
| 7 | - | 03590 | Control arm complete-L | 5Q0407151J+1K0407365B | 5Q0407151M+5Q0407365A | M12x1,5-312,5 mm | 23 | - | 03911 | Bushing | 1K0505541B | 5Q0505541A | - |
| 8 | - | 03591 | Control arm complete-R | 5Q0407152J+1K0407366C | 5Q0407152M+5Q0407366A | M12x1,5-312,5 mm | 24 | VW081 | 01457 | Bushing | 1K0407182 | 1K0407182A | - |
| 9 | - | 03634 | Control arm complete-L | 5Q0407151J+3C0407365A | 5Q0407151M+3C0407365B | M12x1,5-312,5 mm | 25 | - | 03909 | Track Control arm-L | 5Q0505223D | - | Rear |
| 10 | - | 03635 | Control arm complete-R | 5Q0407152J+3C0407366B | 5Q0407152M+3C0407366B | M12x1,5-312,5 mm | 26 | - | 03910 | Track Control arm-R | 5Q0505224D | - | Rear |
| | | | | | | | 27 | - | 03573 | Track rod | 5Q0505323C | 5Q0505323D | Rear-305,6 mm - 12,1-45 mm |
| 11 | - | 03592 | Control arm w/o ball joint-L | 5Q0407151J | 5Q0407153E | - | 28 | - | 03915 | Track rod | 5Q0501529C | - | Rear |



A4 (8D2-B5) (01/1995-11/2000)
A4 AVANT (8D5-B5) (07/1995-09/2001)
A4 QUATTRO (B5) (01/1995-11/2000)

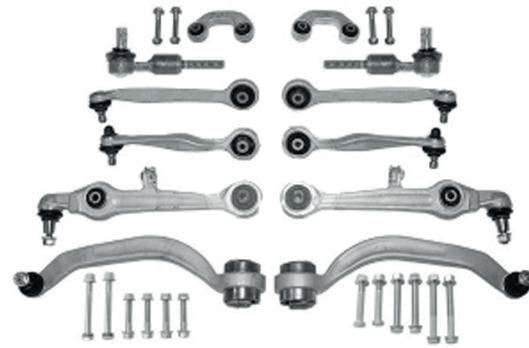




A4 (8D2-B5) (01/1995-11/2000)
A4 AVANT (8D5-B5) (07/1995-09/2001)
A4 QUATTRO (B5) (01/1995-11/2000)



11 00076



12 00077



| Ref | Old code | CODE | Description | OE - Number | OE - Number | FEATURES | Ref | Old code | CODE | Description | OE - Number | OE - Number | FEATURES |
|-----|-----------|-------|-------------------|-------------|-------------|-----------------------------|-----|-------------------|-------|---------------------|-------------|-------------|---------------|
| 1 | AU003-C/L | 00034 | Stabilizer link-L | 8D0411317D | 8E0411317 | 90 mm | 10 | - | 03609 | Bushing | 4D0407181F | 4D0407181H | - |
| 2 | AU003-C/R | 00035 | Stabilizer link-R | 8D0411318D | 8E0411318 | 90 mm | 11 | AU100 | 00076 | Suspension set | 8D0498998 | 8D0498998B | - |
| 3 | - | 01489 | Stabilizer link-L | 8A0505465C | - | Rear-M10x1,5-228 mm | 12 | AU200 | 00077 | Suspension set | 4F0498998 | - | - |
| 4 | - | 01488 | Stabilizer link-R | 8A0505466C | - | Rear-M10x1,5-228 mm | 13 | AU027 | 00058 | Track Control arm | 4D0407151A | 8D0407151E | M12x1.5-269,5 |
| 5 | AU017 | 00044 | Tie rod end | 4B0419811B | 8E0419811B | M8x1,25-Male-M14x1,5-155 mm | 14 | AU026-L | 00056 | Track Control arm-L | 4D0407693H | 8E0407693Q | M12x1.5-382.5 |
| 6 | - | 01779 | Axial joint | 8E0422821 | - | M14x1,5-M16x1,5-128,5 mm | 15 | AU026-R | 00057 | Track Control arm-R | 4D0407694AC | 8E0407694Q | M12x1.5-382.5 |
| 7 | - | 03437 | Bushing | 4B0407515 | 4D0407515C | - | 16 | AU024-L (AU025-L) | 00052 | Track Control arm-L | 8D0407505B | 8E0407505P | 16-273 mm |
| 8 | - | 03438 | Bushing | 4D0407183S | 4D0407183M | - | 17 | AU024-R (AU025-R) | 00053 | Track Control arm-R | 8D0407506D | 8E0407506P | 16-273 mm |
| 9 | - | 03608 | Bushing | 4D0407182E | 8E0407182A | - | 18 | AU022-L | 02311 | Track Control arm-L | 4D0407509B | 8E0407509C | 16-249 mm |
| | | | | | | | 19 | AU022-R | 02312 | Track Control arm-R | 4D0407510K | 8E0407510C | 16-249 mm |



A4 (8E2,B6) (11/2000-12/2004)
A4 AVANT (8E5,B6) (04/2001-12/2004)
A4 QUATTRO (B6) (04/2001-12/2004)





| Ref | Old code | CODE | Description | OE - Number | OE - Number | FEATURES | Ref | Old code | CODE | Description | OE - Number | OE - Number | FEATURES |
|-----|----------|-------|------------------------------|----------------------|-------------|-----------------------------|-----|-------------------|-------|------------------------------|--------------|--------------|------------------|
| 1 | - | 01803 | Stabilizer link | 8E0505465AC | 8E0505465T | Rear-M10x1,5-90 mm | 12 | - | 02833 | Upper Control arm complete-R | 8E0505324M | - | 307 mm |
| 2 | - | 05362 | Stabilizer link-L | 8E0411317 | - | - | 13 | - | 05364 | Suspension set | 4B0419811BS3 | 8E0407694KS3 | - |
| 3 | - | 05363 | Stabilizer link-R | 8E0411318 | - | - | 14 | AU028 | 00059 | Track Control arm | 8E0407151E | 8E0407151R | M12x1.5-269.5 mm |
| 4 | AU017 | 00044 | Tie rod end | 4B0419811B | 8E0419811B | M8x1,25-Male-M14x1,5-155 mm | 15 | - | 02188 | Track Control arm | 8E0501529K | - | - |
| 5 | - | 01779 | Axial joint | 8E0422821 | - | M14x1,5-M16x1,5-128,5 mm | 16 | AU024-L (AU025-L) | 00052 | Track Control arm-L | 8D0407505B | 8E0407505P | 16-273 mm |
| 6 | - | 03437 | Bushing | 4B0407515 | 4D0407515C | - | 17 | AU024-R (AU025-R) | 00053 | Track Control arm-R | 8D0407506D | 8E0407506P | 16-273 mm |
| 7 | - | 03608 | Bushing | 4D0407182E | 8E0407182A | - | 18 | AU022-L | 02311 | Track Control arm-L | 4D0407509B | 8E0407509C | 16-249 mm |
| 8 | - | 05080 | Bushing | 8E0407181C | - | - | 19 | AU022-R | 02312 | Track Control arm-R | 4D0407510K | 8E0407510C | 16-249 mm |
| 9 | - | 03438 | Bushing | 4D0407183AB | 4D0407183M | - | 20 | AU026-L | 00056 | Track Control arm-L | 4D0407693AC | 8E0407693Q | M12x1.5-382.5 mm |
| 10 | - | 05114 | Bushing | 8E0505323M PART OF 1 | 8E0505324M | - | 21 | AU026-R | 00057 | Track Control arm-R | 4D0407694AC | 8E0407694Q | M12x1.5-382.5 mm |
| 11 | - | 02832 | Upper Control arm complete-L | 8E0505323M | - | 307 mm | 22 | AU200 | 00077 | Suspension set | 4F0498998 | - | - |



A4 (8EC,B7) (11/2004-06/2008)
A4 AVANT (8ED,B7) (11/2004-06/2008)
A4 CABRIO (8H7/8HE-B7) (04/2002-03/2009)
A4 QUATTRO (B7) (11/2004-06/2008)





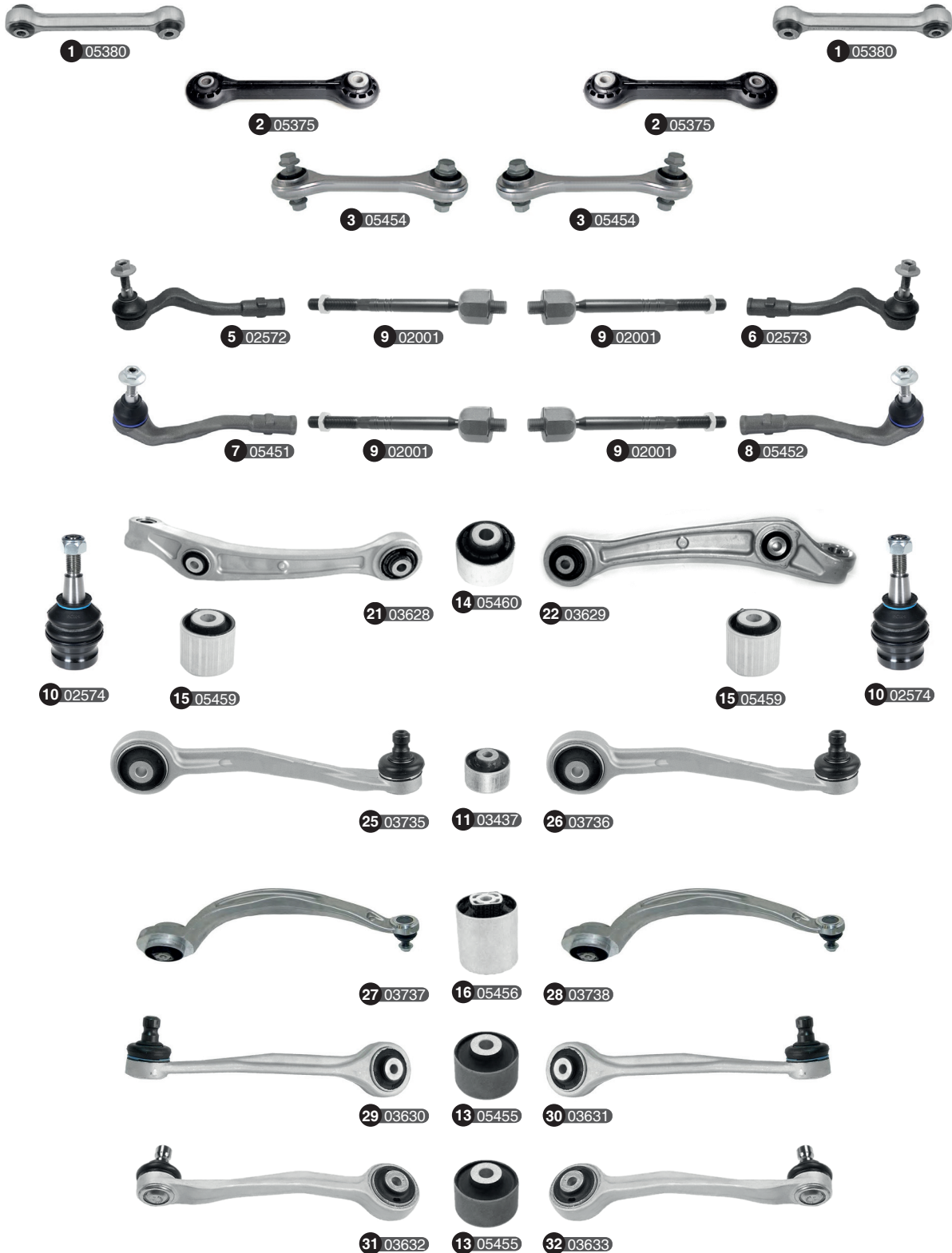
A4 (8EC,B7) (11/2004-06/2008)
A4 AVANT (8ED,B7) (11/2004-06/2008)
A4 CABRIO (8H7/8HE-B7) (04/2002-03/2009)
A4 QUATTRO (B7) (11/2004-06/2008)



| Ref | Old code | CODE | Description | OE – Number | OE – Number | FEATURES | Ref | Old code | CODE | Description | OE – Number | OE – Number | FEATURES |
|-----|----------|-------|----------------------|-------------------------|-------------|--|-----|----------------------|-------|------------------------------------|-------------|-------------|---------------------|
| 1 | - | 01803 | Stabilizer link | 8E0505465AC | 8E0505465T | Rear- M10x1,5-90 mm | 11 | - | 02832 | Upper Control arm complete-L | 8E0505323M | - | 307 mm |
| 2 | - | 05362 | Stabilizer link-L | 8E0411317 | - | - | 12 | - | 02833 | Upper Control arm complete-R | 8E0505324M | - | 307 mm |
| 3 | - | 05363 | Stabilizer link-R | 8E0411318 | - | - | 13 | AU028 | 00059 | Track Control arm | 8E0407151E | 8E0407151R | M12x1.5-269.5 mm |
| 4 | - | 01561 | Tie rod end | 8E0419811 | - | M8x1,25- Male- M14x1,5-155 mm | 14 | - | 02188 | Track Control arm | 8E0501529K | - | - |
| 5 | - | 01779 | Axial joint | 8E0422821 | - | M14x1,5- M16x1,5-128,5 mm | 15 | AU024-L (AU025-L) | 00052 | Track Control arm-L | 8D0407505B | 8E0407505P | 16-273 mm |
| 6 | - | 03437 | Bushing | 4B0407515 | 4D0407515C | - | 16 | AU024-R (AU025-R) | 00053 | Track Control arm-R | 8D0407506D | 8E0407506P | 16-273 mm |
| 7 | - | 03608 | Bushing | 4D0407182E | 8E0407182A | - | 17 | AU022-L | 02311 | Track Control arm-L | 4D0407509B | 8E0407509C | 16-249 mm |
| 8 | - | 05080 | Bushing | 8E0407181C | - | - | 18 | AU022-R | 02312 | Track Control arm-R | 4D0407510K | 8E0407510C | 16-249 mm |
| 9 | - | 05114 | Bushing | 8E0505323M PART OF 1 | 8E0505324M | - | 19 | - | 05420 | Track Control arm-L | 8E0407693AA | 8E0407693T | - |
| 10 | - | 05422 | Bushing | 4F0407183A | 4F0407183E | - | 20 | - | 05421 | Track Control arm-R | 8E0407694AA | 8E0407694T | - |



A4 (8K2,B8) (11/2007-12/2015)
 A4 AVANT (8K5-B8) (04/2008-12/2015)
 A4 QUATTRO (8K2-B8) (11/2007-12/2015)
 A4 ALLROAD (8KH-B8) (04/2009-12/2015)





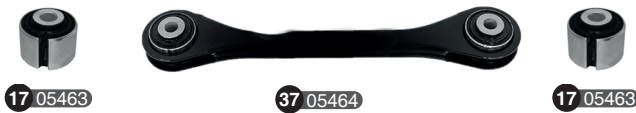
A4 (8K2,B8) (11/2007-12/2015)
 A4 AVANT (8K5-B8) (04/2008-12/2015)
 A4 QUATTRO (8K2-B8) (11/2007-12/2015)
 A4 ALLROAD (8KH-B8) (04/2009-12/2015)



35 05465

18 05446

36 05466



17 05463

37 05464

17 05463



23 03733

11 03437

24 03734



33 05457

12 05006

34 05458



38 05461

17 05463

39 05462



19 03274

16 05456

20 03275



4 02575

4 02575





A4 (8K2,B8) (11/2007-12/2015)
A4 AVANT (8K5-B8) (04/2008-12/2015)
A4 QUATTRO (8K2-B8) (11/2007-12/2015)
A4 ALLROAD (8KH-B8) (04/2009-12/2015)

| Ref | Old code | CODE | Description | OE – Number | OE – Number | FEATURES | Ref | Old code | CODE | Description | OE – Number | OE – Number | FEATURES |
|-----|----------|-------|---------------------|-------------|-------------------------|----------------------------|-----|----------|-------|---------------------|-------------|-------------|-------------------|
| 1 | - | 05380 | Stabilizer link | - | 8K0411317ES1 | - | 23 | - | 03733 | Track Control arm-L | 4GD407505A | 8KD407505A | Upper-16-268 mm |
| 2 | - | 05375 | Stabilizer link | - | 8K0411317D | - | 24 | - | 03734 | Track Control arm-R | 4GD407506A | 8KD407506A | Upper-16-268 mm |
| 3 | - | 05454 | Stabilizer link | - | 4M0411317 | - | 25 | - | 03735 | Track Control arm-L | 4GD407509A | 8KD407509A | Upper-16-235,5 mm |
| 4 | - | 02575 | Stabilizer link | - | 8K0505465E | 60 mm Rear | 26 | - | 03736 | Track Control arm-R | 4GD407510A | 8KD407510A | Upper-16-235,5 mm |
| 5 | - | 02572 | Tie rod end-L | - | 8K0422817B | - | 27 | - | 03737 | Track Control arm-L | 8K0407693T | - | - |
| 6 | - | 02573 | Tie rod end-R | - | 8K0422818B | - | 28 | - | 03738 | Track Control arm-R | 8K0407694T | - | - |
| 7 | - | 05451 | Tie rod end-L | - | 4G0423811A | - | 29 | - | 03630 | Track Control arm-L | 8K0407505M | - | Upper-16-268 mm |
| 8 | - | 05452 | Tie rod end-R | - | 4G0423812A | - | 30 | - | 03631 | Track Control arm-R | 8K0407506B | 8K0407506M | Upper-16-268 mm |
| 9 | - | 02001 | Axial joint | - | 8J0423810 | M16x1,5- M16x1,5-243 mm | 31 | - | 03632 | Track Control arm-L | - | 8K0407509M | Upper-16-235,5 mm |
| 10 | - | 02574 | Ball joint | 8K0407689D | 8K0407689F | Lower-M12x1,5 | 32 | - | 03633 | Track Control arm-R | - | 8K0407510M | Upper-16-235,5 mm |
| 11 | - | 03437 | Bushing | 4B0407515 | 4D0407515C | Upper | 33 | - | 05457 | Track Control arm-L | - | 9A740769303 | - |
| 12 | - | 05006 | Axle Bushing | 8K0407693AD | 9A740769303 | - | 34 | - | 05458 | Track Control arm-R | - | 9A740769403 | - |
| 13 | - | 05455 | Bushing | - | 8R0407515 | - | 35 | - | 05465 | Track Control arm-L | - | 8K0505323H | - |
| 14 | - | 05460 | Bushing | - | 80A407181 | - | 36 | - | 05466 | Track Control arm-R | - | 8K0505324H | - |
| 15 | - | 05459 | Bushing | - | 8K0407182B | - | 37 | - | 05464 | Track rod | - | 8K0501529L | - |
| 16 | - | 05456 | Bushing | - | 8K0407183A | - | 38 | - | 05461 | Track rod-L | - | 8K0501529N | - |
| 17 | - | 05463 | Bushing | - | 8K0501537C | - | 39 | - | 05462 | Track rod-R | - | 8K0501530N | - |
| 18 | - | 05446 | Bushing | - | 8W0505398E PART OF 2 | - | | | | | | | |
| 19 | - | 03274 | Track Control arm-L | 8K0407693F | 8K0407693N | M12x1.5-421.5 | | | | | | | |
| 20 | - | 03275 | Track Control arm-R | 8K0407694H | 8K0407694N | M12x1.5-421.5 | | | | | | | |
| 21 | - | 03628 | Track Control arm-L | 8K0407151B | 8K0407151D | Lower-277 | | | | | | | |
| 22 | - | 03629 | Track Control arm-R | 8K0407152B | 8K0407152D | Lower-277 | | | | | | | |





A4 (8W2-B9) (05/2015-->)
A4 AVANT (8W5-B9) (08/2015-->)
A4 QUATTRO (8W2-B9) (05/2015-->)



| Ref | Old code | CODE | Description | OE - Number | OE - Number | FEATURES | Ref | Old code | CODE | Description | OE - Number | OE - Number | FEATURES |
|-----|----------|-------|-----------------|-------------|-------------|----------|-----|----------|-------|---------------|-------------|-------------|----------|
| 1 | - | 05375 | Stabilizer link | 8K0411317D | - | - | 4 | - | 05424 | Tie rod end-R | 8W0423812B | 8W0423812C | - |
| 2 | - | 05454 | Stabilizer link | 4G0411317A | 4M0411317 | - | 5 | - | 05425 | Axial joint | 8W0423810 | 8W0423810A | - |
| 3 | - | 05423 | Tie rod end-L | 8W0423811B | 8W0423811C | - | | | | | | | |



A5 COUPE (8T3) (06/2007-01/2017)
A5 SPORTBACK (8TA) (09/2009-01/2017)
A5 CABRIO (8F7) (03/2009-01/2017)





A5 COUPE (8T3) (06/2007-01/2017)
A5 SPORTBACK (8TA) (09/2009-01/2017)
A5 CABRIO (8F7) (03/2009-01/2017)





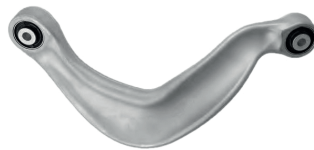
A5 COUPE (8T3) (06/2007-01/2017)
A5 SPORTBACK (8TA) (09/2009-01/2017)
A5 CABRIO (8F7) (03/2009-01/2017)



38 05465



19 05446



39 05466



41 05461



18 05463



42 05462



18 05463



40 05464



18 05463



4 02575



4 02575





| Ref | Old code | CODE | Description | OE – Number | OE – Number | FEATURES | Ref | Old code | CODE | Description | OE – Number | OE – Number | FEATURES |
|-----|----------|-------|---------------------|-------------|-------------------------|----------------------------|-----|----------|-------|---------------------|-------------|-------------|-------------------|
| 1 | - | 05453 | Stabilizer link | 8K0411317B | 8K0411317BS1 | 110 mm | 22 | - | 03628 | Track Control arm-L | 8K0407151B | 8K0407151D | Lower-277 mm |
| 2 | - | 05380 | Stabilizer link | 4H0411317A | 8K0411317ES1 | 170 mm | 23 | - | 03629 | Track Control arm-R | 8K0407152B | 8K0407152D | -277 mm |
| 3 | - | 05375 | Stabilizer link | 8K0411317D | - | 170 mm | 24 | - | 03630 | Track Control arm-L | 8K0407505M | - | Upper-16-268 mm |
| 4 | - | 02575 | Stabilizer link | 8K0505465E | - | Rear-60 mm | 25 | - | 03631 | Track Control arm-R | 8K0407506B | 8K0407506M | Upper-16-268 mm |
| 5 | - | 02572 | Tie rod end-L | 8K0422817A | 8K0422817B | - | 26 | - | 03733 | Track Control arm-L | 4GD407505A | 8KD407505A | Upper-16-268 mm |
| 6 | - | 02573 | Tie rod end-R | 8K0422818A | 8K0422818B | - | 27 | - | 03734 | Track Control arm-R | 4GD407506A | 8KD407506A | Upper-16-268 mm |
| 7 | - | 05451 | Tie rod end-L | 4G0423811A | - | - | 28 | - | 03735 | Track Control arm-L | 4GD407509A | 8KD407509A | Upper-16-235,5 mm |
| 8 | - | 05452 | Tie rod end-R | 4G0423812A | - | - | 29 | - | 03736 | Track Control arm-R | 4GD407510A | 8KD407510A | Upper-16-235,5 mm |
| 9 | - | 02001 | Axial joint | 4H0422810 | 8J0423810 | M16x1,5- M16x1,5-243 mm | 30 | - | 03737 | Track Control arm-L | 8K0407693T | - | - |
| 10 | - | 02574 | Ball joint | 8K0407689D | 8K0407689F | Lower-M12x1,5 | 31 | - | 03738 | Track Control arm-R | 8K0407694T | - | - |
| 11 | - | 05379 | Ball joint | 4G0407689A | 8W0407689B | - | 32 | - | 03739 | Track Control arm-L | 8K0407151G | - | Lower |
| 12 | - | 03437 | Bushing | 4B0407515 | 4D0407515C | - | 33 | - | 03740 | Track Control arm-R | 8K0407152G | - | Lower |
| 13 | - | 05006 | Axle Bushing | 8K0407693AD | 9A740769303 | - | 34 | - | 03632 | Track Control arm-L | 8K0407509B | 8K0407509M | Upper-16-235,5 mm |
| 14 | - | 05455 | Bushing | 4H0407515 | 8R0407515 | - | 35 | - | 03633 | Track Control arm-R | 8K0407510B | 8K0407510M | Upper-16-235,5 mm |
| 15 | - | 05460 | Bushing | 4E0407181B | 80A407181 | - | 36 | - | 05457 | Track Control arm-L | 8K0407693AD | 9A740769303 | - |
| 16 | - | 05459 | Bushing | 8K0407182A | 8K0407182B | - | 37 | - | 05458 | Track Control arm-R | 8K0407694AD | 9A740769403 | - |
| 17 | - | 05456 | Bushing | 8K0407183A | - | - | 38 | - | 05465 | Track Control arm-L | 8K0505323D | 8K0505323H | - |
| 18 | - | 05463 | Bushing | 8K0501537C | - | - | 39 | - | 05466 | Track Control arm-R | 8K0505324D | 8K0505324H | - |
| 19 | - | 05446 | Bushing | 8K0501541 | 8W0505398E PART OF 2 | - | 40 | - | 05464 | Track rod | 8K0501529L | - | - |
| 20 | - | 03274 | Track Control arm-L | 8K0407693F | 8K0407693N | M12x1.5-421.5 | 41 | - | 05461 | Track rod-L | 8K0501529K | 8K0501529N | - |
| 21 | - | 03275 | Track Control arm-R | 8K0407694H | 8K0407694N | M12x1.5-421.5 | 42 | - | 05462 | Track rod-R | 8K0501530K | 8K0501530N | - |





| Ref | Old code | CODE | Description | OE - Number | OE - Number | FEATURES | Ref | Old code | CODE | Description | OE - Number | OE - Number | FEATURES |
|-----|----------|-------|-----------------|-------------|-------------|----------|-----|----------|-------|---------------|-------------|-------------|----------|
| 1 | - | 05375 | Stabilizer link | - | 8K0411317D | - | 3 | - | 05424 | Tie rod end-R | - | 8W0423812C | - |
| 2 | - | 05423 | Tie rod end-L | - | 8W0423811C | - | 4 | - | 05425 | Axial joint | - | 8W0423810A | - |



A6 (4A-C4) (06/1994 - 10/1997)
A6 AVANT (4A-C4) (06/1994 - 12/1997)
A6 QUATTRO (C4) (06/1994 - 12/1997)



| Ref | Old code | CODE | Description | OE - Number | OE - Number | FEATURES | Ref | Old code | CODE | Description | OE - Number | OE - Number | FEATURES |
|-----|----------|-------|-----------------|-------------|-------------|------------------------------|-----|----------|-------|---------------------|-------------|-------------|------------------------------|
| 1 | AU002 | 00032 | Stabilizer link | 4A0505389 | - | Rear-M10x1,5-122,5 mm | 4 | AU042-R | 00071 | Tie rod end-R | 443419812B | 443419812D | M12x1,5-Female-M16x1,5-75 mm |
| 2 | - | 01656 | Stabilizer link | 8E0505465C | 8E0505465D | Rear-60 mm | 5 | - | 02072 | Track Control arm-L | 4A0407151 | - | - |
| 3 | AU042-L | 00070 | Tie rod end-L | 443419811B | 443419811D | M12x1,5-Female-M16x1,5-75 mm | 6 | - | 02073 | Track Control arm-R | 4A0407152 | - | - |



A6 (4BH-C5) (01/1997-01/2005)
A6 AVANT (4B-C5) (01/1997-01/2005)
A6 ALLROAD (4B-C5) (05/2000-08/2005)
A6 QUATTRO (C5) (01/1997-01/2005)





A6 (4BH-C5) (01/1997-01/2005)
A6 AVANT (4B-C5) (01/1997-01/2005)
A6 ALLROAD (4B-C5) (05/2000-08/2005)
A6 QUATTRO (C5) (01/1997-01/2005)



| Ref | Old code | CODE | Description | OE - Number | OE - Number | FEATURES | Ref | Old code | CODE | Description | OE - Number | OE - Number | FEATURES |
|-----|-----------|-------|-------------------|-------------|-------------|-----------------------------|-----|-------------------|-------|---------------------|-------------|-------------|-----------------|
| 1 | - | 01656 | Stabilizer link | 8E0505465C | 8E0505465D | Rear-60 mm | 15 | AU027 | 00058 | Track Control arm | 4D0407151A | 8D0407151E | M12x1.5-269,5 |
| 2 | AU003 | 00033 | Stabilizer link | 4D0411317G | 4D0411317K | M10x1,5-86 mm | 16 | - | 05417 | Track Control arm | 4Z7407151 | 4Z7407151C | - |
| 3 | AU003-C/L | 00034 | Stabilizer link-L | 8D0411317D | 8E0411317 | 90 mm | 17 | AU024-L (AU025-L) | 00052 | Track Control arm-L | 8D0407505B | 8E0407505P | Upper-16-273 mm |
| 4 | AU003-C/R | 00035 | Stabilizer link-R | 8D0411318D | 8E0411318 | 90 mm | 18 | AU024-R (AU025-R) | 00053 | Track Control arm-R | 8D0407506D | 8E0407506P | Upper-16-273 mm |
| 5 | AU017 | 00044 | Tie rod end | 4B0419811B | 8E0419811B | M8x1,25-Male-M14x1,5-155 mm | 19 | AU022-L | 02311 | Track Control arm-L | 4D0407509B | 8E0407509C | Upper-16-249 mm |
| 6 | - | 01561 | Tie rod end | 8E0419811 | - | M8x1,25-Male-M14x1,5-155 mm | 20 | AU022-R | 02312 | Track Control arm-R | 4D0407510K | 8E0407510C | Upper-16-249 mm |
| 7 | - | 01779 | Axial joint | 8E0422821 | - | M14x1,5-M16x1,5-128,5 mm | 21 | AU026-L | 00056 | Track Control arm-L | 4D0407693H | 8E0407693Q | M12x1.5-382.5 |
| 8 | - | 03437 | Bushing | 4B0407515 | 4D0407515C | - | 22 | AU026-R | 00057 | Track Control arm-R | 4D0407694AC | 8E0407694Q | M12x1.5-382.5 |
| 9 | - | 03609 | Bushing | 4D0407181F | 4D0407181H | - | 23 | - | 05418 | Track Control arm-L | 4Z7407693D | - | - |
| 10 | - | 03608 | Bushing | 4D0407182E | 8E0407182A | - | 24 | - | 05419 | Track Control arm-R | 4Z7407694D | - | - |
| 11 | - | 03438 | Bushing | 4D0407183AB | 4D0407183M | - | | | | | | | |
| 12 | AU100 | 00076 | Suspension set | 8D0498998 | 8D0498998B | - | | | | | | | |
| 13 | - | 02008 | Suspension set | 4F0498530 | - | - | | | | | | | |
| 14 | - | 02084 | Track Control arm | 4B0407151 | 4B3407151K | M12x1.5-269,5 | | | | | | | |



A6 (4F2,C6) (05/2004-03/2011)
A6 AVANT (4F5,C6) (03/2005-08/2011)
A6 ALLROAD (4FH,C6) (05/2006-08/2011)
A6 QUATTRO (C6) (05/2004-08/2011)





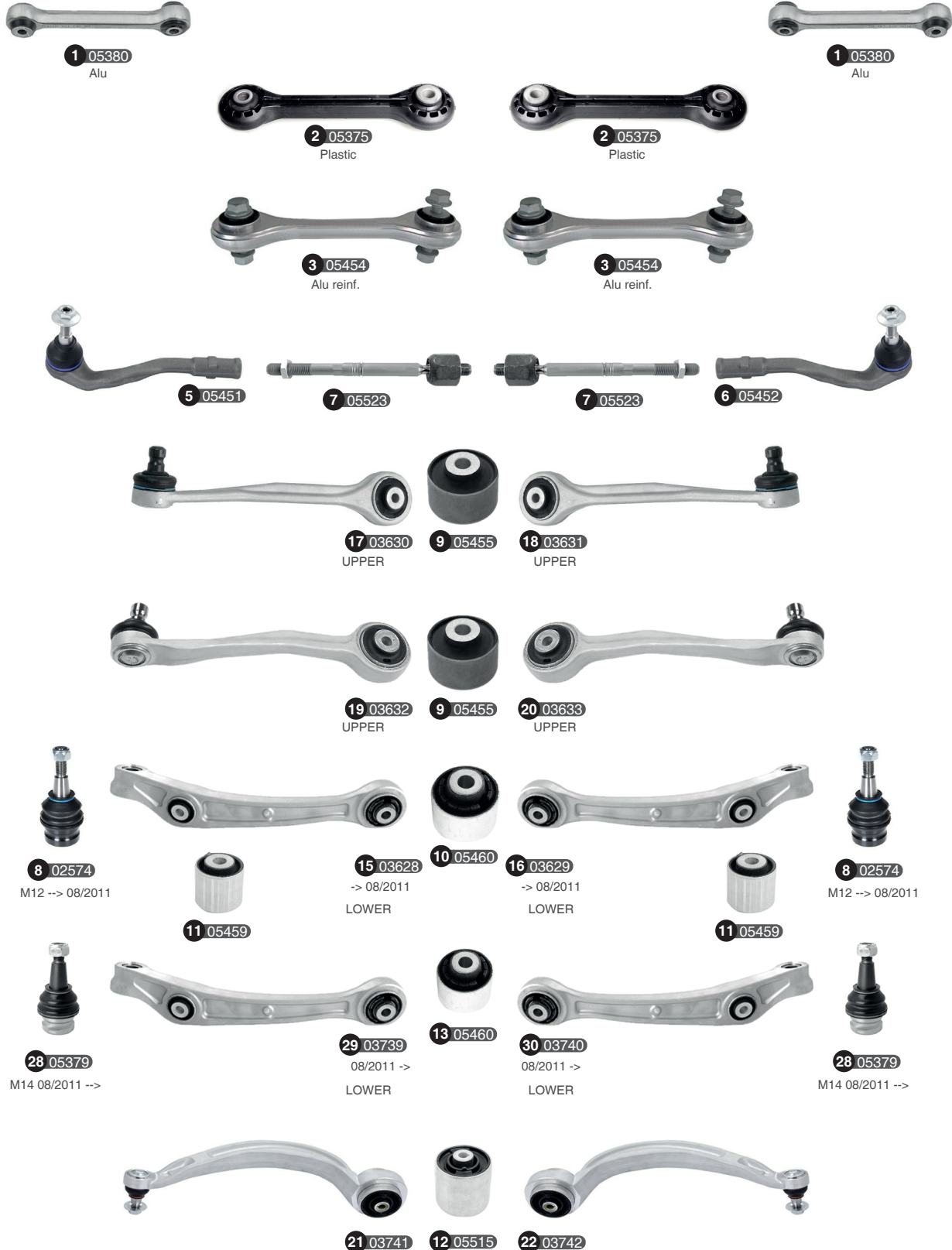
A6 (4F2,C6) (05/2004-03/2011)
A6 AVANT (4F5,C6) (03/2005-08/2011)
A6 ALLROAD (4FH,C6) (05/2006-08/2011)
A6 QUATTRO (C6) (05/2004-08/2011)

| Ref | Old code | CODE | Description | OE – Number | OE – Number | FEATURES | Ref | Old code | CODE | Description | OE – Number | OE – Number | FEATURES |
|-----|----------|-------|----------------------|-------------|-------------|-----------------------------|-----|----------|-------|---------------------|-------------|-------------|----------|
| 1 | - | 02189 | Stabilizer link | 4E0411317C | 4E0411317E | - | 10 | - | 05473 | Bushing | 4E0407182C | - | - |
| 2 | - | 01656 | Stabilizer link | 8E0505465C | 8E0505465D | 60 mm Rear | 11 | - | 05422 | Bushing | 4F0407183A | 4F0407183E | - |
| 3 | - | 02242 | Stabilizer link | 4F0505465P | - | M10x1,5-100 mm Rear | 12 | - | 05472 | Track Control arm | 4F0407151 | 4F0407151A | - |
| 4 | - | 02190 | Stabilizer link | 4F0505465Q | 4F0505465N | Rear | 13 | - | 05365 | Track Control arm-L | 4E0407505B | 4E0407505E | - |
| 5 | - | 01561 | Tie rod end | 4B0419811G | 8E0419811 | M8x1,25-Male-M14x1,5-155 mm | 14 | - | 05366 | Track Control arm-R | 4E0407506B | 4E0407506E | - |
| 6 | - | 02156 | Axial joint | 4F0422821 | - | M14x1,5-M16x1,5-140 mm | 15 | - | 05470 | Track Control arm-L | 4E0407509B | 4E0407509K | - |
| 7 | - | 02835 | Control arm complete | 4F0501529C | 4F0501529E | - | 16 | - | 05471 | Track Control arm-R | 4E0407510B | 4E0407510K | - |
| 8 | - | 03437 | Bushing | 4B0407515 | 4D0407515C | - | 17 | - | 05367 | Track Control arm-L | 4F0407693 | 4F0407693H | - |
| 9 | - | 05460 | Bushing | 4E0407181B | 80A407181 | - | 18 | - | 05368 | Track Control arm-R | 4F0407694B | 4F0407694H | - |





A6 (4G2, 4GC-C7) (11/2010 - 09/2018)
 A6 AVANT (4G5, 4GD-C7) (05/2011 - 09/2018)
 A6 S6 QUATTRO (C7) (11/2010 - 09/2018)
 A6 ALLROAD (4GH, 4GJ-C7) (01/2012 - 09/2018)

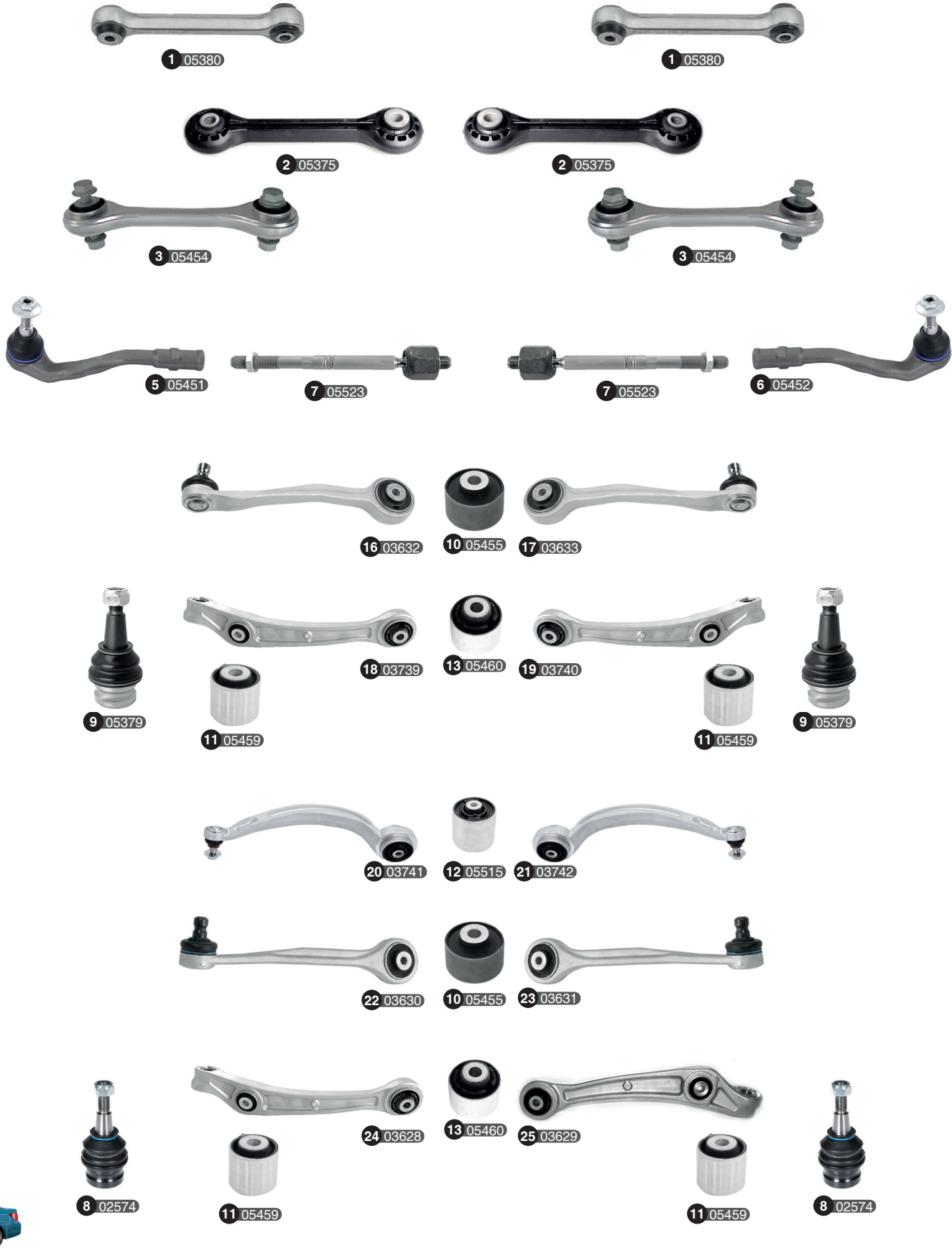




A6 (4G2, 4GC-C7) (11/2010 - 09/2018)
A6 AVANT (4G5, 4GD-C7) (05/2011 - 09/2018)
A6 S6 QUATTRO (C7) (11/2010 - 09/2018)
A6 ALLROAD (4GH, 4GJ-C7) (01/2012 - 09/2018)



| Ref | Old code | CODE | Description | OE - Number | OE - Number | FEATURES | Ref | Old code | CODE | Description | OE - Number | OE - Number | FEATURES |
|-----|----------|-------|---------------------|----------------------|----------------------|-----------------|-----|----------|-------|----------------------|-------------|-------------|-------------------|
| 1 | - | 05380 | Stabilizer link | 4H0411317A | 8K0411317ES1 | - | 18 | - | 03631 | Track Control arm-R | 8K0407506B | 8K0407506M | Upper-16-268 mm |
| 2 | - | 05375 | Stabilizer link | 8K0411317D | - | - | 19 | - | 03632 | Track Control arm-L | 8K0407509M | - | Upper-16-235,5 mm |
| 3 | - | 05454 | Stabilizer link | 4G0411317A | 4M0411317 | - | 20 | - | 03633 | Track Control arm-R | 8K0407510M | - | Upper-16-235,5 mm |
| 4 | - | 02575 | Stabilizer link | 8K0505465E | - | Rear-60 mm | 21 | - | 03741 | Track Control arm-L | 4G0407693D | 4G0407693J | - |
| 5 | - | 05451 | Tie rod end-L | 4G0423811A | - | - | 22 | - | 03742 | Track Control arm-R | 4G0407694D | 4G0407694J | - |
| 6 | - | 05452 | Tie rod end-R | 4G0423812A | - | - | 23 | - | 05465 | Track Control arm-L | 8K0505323D | 8K0505323H | - |
| 7 | - | 05523 | Axial joint | 4G0423810 | 4G0423810A | - | 24 | - | 05466 | Track Control arm-R | 8K0505324D | 8K0505324H | - |
| 8 | - | 02574 | Ball joint | 8K0407689D | 8K0407689F | Lower-M12x1,5 | 25 | - | 05464 | Track rod | 8K0501529L | - | - |
| 9 | - | 05455 | Bushing | 4H0407515 | 8R0407515 | - | 26 | - | 05461 | Track rod-L | 8K0501529K | 8K0501529N | - |
| 10 | - | 05460 | Bushing | 4E0407181B | 80A407181 | - | 27 | - | 05462 | Track rod-R | 8K0501530K | 8K0501530N | - |
| 11 | - | 05459 | Bushing | 8K0407182A | 8K0407182B | - | 28 | - | 05379 | BALL JOINT (LOWER) | 4G0407689A | 4G0407689C | 25,1 |
| 12 | - | 05515 | Bushing | 4G0407183 | 4H0407183C | - | 29 | - | 03739 | TRACK CONTROL ARM LH | 8K0407151F | 8K0407151G | - |
| 13 | - | 05463 | Bushing | 8K0501537C | - | - | 30 | - | 03740 | TRACK CONTROL ARM RH | 8K0407152F | 8K0407152G | - |
| 14 | - | 05446 | Bushing | 4M0505397P PART OF 2 | 8W0505398E PART OF 2 | - | | | | | | | |
| 15 | - | 03628 | Track Control arm-L | 8K0407151B | 8K0407151D | Lower-277 | | | | | | | |
| 16 | - | 03629 | Track Control arm-R | 8K0407152B | 8K0407152D | Lower-277 | | | | | | | |
| 17 | - | 03630 | Track Control arm-L | 8K0407505M | - | Upper-16-268 mm | | | | | | | |





| Ref | Old code | CODE | Description | OE - Number | OE - Number | FEATURES | Ref | Old code | CODE | Description | OE - Number | OE - Number | FEATURES |
|-----|----------|-------|---------------------|-------------|-------------------------|-------------------|-----|----------|-------|---------------------|-------------|-------------|-----------------|
| 1 | - | 05380 | Stabilizer link | 81A407152C | 8K0411317ES1 | - | 18 | - | 03739 | Track Control arm-L | 8K0407151G | - | Lower |
| 2 | - | 05375 | Stabilizer link | 8K0411317D | - | - | 19 | - | 03740 | Track Control arm-R | 8K0407152G | - | Lower |
| 3 | - | 05454 | Stabilizer link | 4G0411317A | 4M0411317 | - | 20 | - | 03741 | Track Control arm-L | 4G0407693D | 4G0407693J | - |
| 4 | - | 02575 | Stabilizer link | 8K0505465E | - | Rear-60 mm | 21 | - | 03742 | Track Control arm-R | 4G0407694D | 4G0407694J | - |
| 5 | - | 05451 | Tie rod end-L | 4G0423811A | - | - | 22 | - | 03630 | Track Control arm-L | 8K0407505B | 8K0407505M | Upper-16-268 mm |
| 6 | - | 05452 | Tie rod end-R | 4G0423812A | - | - | 23 | - | 03631 | Track Control arm-R | 8K0407506B | 8K0407506M | Upper-16-268 mm |
| 7 | - | 05523 | Axial joint | 4G0423810 | 4G0423810A | - | 24 | - | 03628 | Track Control arm-L | 8K0407151B | 8K0407151D | Lower-277 |
| 8 | - | 02574 | Ball joint | 8K0407689D | 8K0407689F | Lower-M12x1,5 | 25 | - | 03629 | Track Control arm-R | 8K0407152B | 8K0407152D | Lower-277 |
| 9 | - | 05379 | Ball joint | 4G0407689A | 8W0407689B | M14 | 26 | - | 05465 | Track Control arm-L | 8K0505323D | 8K0505323H | - |
| 10 | - | 05455 | Bushing | 4H0407515 | 8R0407515 | - | 27 | - | 05466 | Track Control arm-R | 8K0505324D | 8K0505324H | - |
| 11 | - | 05459 | Bushing | 8K0407182A | 8K0407182B | - | 28 | - | 05464 | Track rod | 8K0501529L | - | - |
| 12 | - | 05515 | Bushing | 4G0407183 | 4H0407183C | - | 29 | - | 05461 | Track rod-L | 8K0501529K | 8K0501529N | - |
| 13 | - | 05460 | Bushing | 4E0407181B | 80A407181 | - | 30 | - | 05462 | Track rod-R | 8K0501530K | 8K0501530N | - |
| 14 | - | 05463 | Bushing | 8K0501537C | - | - | | | | | | | |
| 15 | - | 05446 | Bushing | 8K0501541 | 8W0505398E PART OF 2 | - | | | | | | | |
| 16 | - | 03632 | Track Control arm-L | 8K0407509M | - | Upper-16-235,5 mm | | | | | | | |
| 17 | - | 03633 | Track Control arm-R | 8K0407510M | - | Upper-16-235,5 mm | | | | | | | |





| Ref | Old code | CODE | Description | OE - Number | OE - Number | FEATURES | Ref | Old code | CODE | Description | OE - Number | OE - Number | FEATURES |
|-----|----------|-------|-------------------|-------------|-------------|-----------------------------|-----|----------|-------|---------------------|-------------|-------------|------------------|
| 1 | AU003 | 00033 | Stabilizer link | 4D0411317G | 4D0411317K | M10x1,5-86 mm | 9 | - | 03609 | Bushing | 4D0407181F | 4D0407181H | - |
| 2 | VW044 | 01419 | Stabilizer link | 4D0505465D | - | Rear-M10x1,5-120 mm | 10 | - | 03438 | Bushing | 4D0407183AB | 4D0407183M | - |
| 3 | - | 01650 | Stabilizer link-L | 4D0505547C | - | Rear | 11 | AU027 | 00058 | Track Control arm | 4D0407151A | 8D0407151E | M12x1.5-269,5 |
| 4 | - | 01651 | Stabilizer link-R | 4D0505548C | - | Rear | 12 | - | 02084 | Track Control arm | 4B0407151 | 4B3407151K | M12x1.5-269,5 mm |
| 5 | AU017 | 00044 | Tie rod end | 4B0419811B | 8E0419811B | M8x1,25-Male-M14x1,5-155 mm | 13 | AU022-L | 02311 | Track Control arm-L | 4D0407509B | 8E0407509C | 16-249 mm |
| 6 | AU018 | 00045 | Axial joint | 4D0422821 | 4D0422821A | M14x1,5-M16x1,5-129 mm | 14 | AU022-R | 02312 | Track Control arm-R | 4D0407510K | 8E0407510C | 16-249 mm |
| 7 | - | 03437 | Bushing | 4B0407515 | 4D0407515C | - | 15 | AU026-L | 00056 | Track Control arm-L | 4D0407693AC | 8E0407693Q | M12x1.5-382.5 mm |
| 8 | - | 03608 | Bushing | 4D0407182E | 8E0407182A | - | 16 | AU026-R | 00057 | Track Control arm-R | 4D0407694AC | 8E0407694Q | M12x1.5-382.5 mm |





1 02189



1 02189



2 02196



3 02197



3 02197



2 02196



4 05365



5 05366



8 03437



6 05470



7 05471



9 05478



10 05473



9 05478



11 05459



11 05459



12 05476

Ø75
with HYDRO SB



14 03438

Ø65



13 05477

Ø75
with HYDRO SB



18 05475



18 05475



19 02198



19 02198



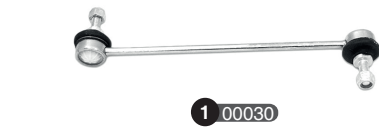


| Ref | Old code | CODE | Description | OE - Number | OE - Number | FEATURES | Ref | Old code | CODE | Description | OE - Number | OE - Number | FEATURES |
|-----|----------|-------|---------------------|-------------|-------------|-------------------------------|-----|----------|-------|--|--------------------|--------------------|----------|
| 1 | - | 02189 | Stabilizer link | 4E0411317C | 4E0411317E | - | 11 | - | 05459 | Bushing | 4E0407181B | 80A407181 | - |
| 2 | - | 02196 | Tie rod end | 4E0419811B | 4E0419811D | - | 12 | - | 05476 | Track Control arm-L | 4E0407693C | 4E0407693N | Ø75 |
| 3 | - | 02197 | Axial joint | 4E0419821 | 4E0419821A | M16x1,5- M16x1,5-128 mm | 13 | - | 05477 | Track Control arm-R | 4E0407694C | 4E0407694N | Ø75 |
| 4 | - | 05365 | Track Control arm-L | 4E0407505B | 4E0407505E | - | 14 | - | 03438 | Bushing | 4D0407183AB | 4D0407183AC | Ø65 |
| 5 | - | 05366 | Track Control arm-R | 4E0407506B | 4E0407506E | - | 15 | - | 08064 | TRACK CONTROL ARM LH (WITH BALL JOINT) | 4E0407693E PART OF | 4E0407693C PART OF | Ø65 |
| 6 | - | 05470 | Track Control arm-L | 4E0407509B | 4E0407509K | - | | | | | | | |
| 7 | - | 05471 | Track Control arm-R | 4E0407510B | 4E0407510K | - | 16 | - | 08065 | TRACK CONTROL ARM LH (WITH BALL JOINT) | 4E0407694C PART OF | 4E0407694N PART OF | Ø65 |
| 8 | - | 03437 | Bushing | 4B0407515 | 4D0407515C | - | | | | | | | |
| 9 | - | 05478 | Track Control arm | 4E0407151G | 4E0407151L | - | 18 | - | 05475 | Track rod | 4E0501529C | 4E0501529G | Rear |
| 10 | - | 05473 | Bushing | 4E0407182C | - | - | | | | | | | |
| | | | | | | | 19 | - | 02198 | Stabilizer link | 4E0505465E | 4E0505465G | Rear |





| Ref | Old code | CODE | Description | OE - Number | OE - Number | FEATURES | Ref | Old code | CODE | Description | OE - Number | OE - Number | FEATURES |
|-----|----------|-------|-----------------|--------------------|-------------------|----------------------------|-----|----------|-------|---------------------|-------------|-------------|----------|
| 1 | - | 02189 | Stabilizer link | 4E0411317E | - | - | 7 | - | 05455 | Bushing | 4H0407515 | 8R0407515 | - |
| 2 | - | 02198 | Stabilizer link | 4E0505465G | - | Rear | 8 | - | 03743 | Track Control arm-L | 4H0407505E | - | - |
| 3 | VW061 | 01437 | Stabilizer link | 1K0411315B | 5Q0411315B | M12x1,5-334 mm | 9 | - | 03744 | Track Control arm-R | 4H0407506D | 4H0407506E | - |
| 4 | - | 03612 | Stabilizer link | 1K0411315B-Part of | 1K0411315B PARTOF | M12x1,5-335 mm | 10 | - | 03745 | Track Control arm-L | 4H0407509D | 4H0407509E | - |
| 5 | - | 02196 | Tie rod end | 4E0419811C | 4E0419811D | - | 11 | - | 03746 | Track Control arm-R | 4H0407510D | 4H0407510E | - |
| 6 | - | 02197 | Axial joint | 4E0419821 | 4E0419821A | M16x1,5- M16x1,5-128 mm | | | | | | | |



| Ref | Old code | CODE | Description | OE - Number | OE - Number | FEATURES | Ref | Old code | CODE | Description | OE - Number | OE - Number | FEATURES |
|-----|----------|-------|-----------------|-------------|-------------|----------------------------|-----|----------|-------|--------------|-------------|-------------|----------|
| 1 | AR030 | 00030 | Stabilizer link | 60614514 | - | M10x1,5-272 mm | 3 | AU038-L | 00065 | Ball joint-L | 893407365D | 893407365E | Lower |
| 2 | AU016 | 00043 | Tie rod end | 811419812A | 8A0419812 | M10x1-Female-M14x1,5-75 mm | 4 | AU038-R | 00066 | Ball joint-R | 893407366D | 893407366E | Lower |



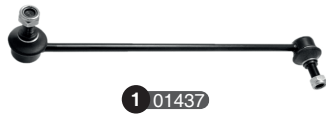
| Ref | Old code | CODE | Description | OE - Number | OE - Number | FEATURES | Ref | Old code | CODE | Description | OE - Number | OE - Number | FEATURES |
|-----|----------|-------|-------------------|-------------|-------------|---------------------|-----|----------|-------|--------------|-------------|-------------|----------------------------|
| 1 | AR030 | 00030 | Stabilizer link | - | 60614514 | M10x1,5-272 mm | 4 | AU016 | 00043 | Tie rod end | 811419812A | 8A0419812 | M10x1-Female-M14x1,5-75 mm |
| 2 | - | 01489 | Stabilizer link-L | 8A0505465C | - | M10x1,5-228 mm Rear | 5 | AU038-L | 00065 | Ball joint-L | 893407365D | 893407365E | Lower |
| 3 | - | 01488 | Stabilizer link-R | 8A0505466C | - | M10x1,5-228 mm Rear | 6 | AU038-R | 00066 | Ball joint-R | 893407366D | 893407366E | Lower |

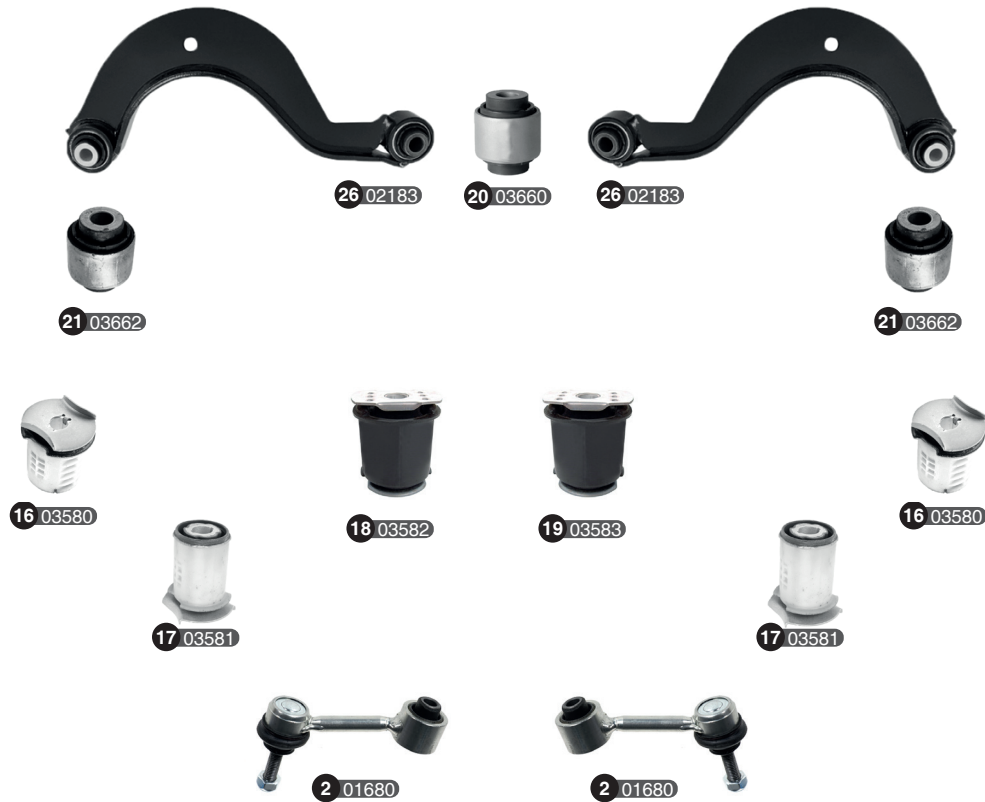




| Ref | Old code | CODE | Description | OE – Number | OE – Number | FEATURES | Ref | Old code | CODE | Description | OE – Number | OE – Number | FEATURES |
|-----|----------|-------|------------------------------------|-------------------------|-------------------------|---|-----|----------|-------|------------------------------------|-------------------------|-------------------------|------------------------|
| 1 | - | 03612 | Stabilizer link | 1K0411315B PART OF 1 | 1K0411315B PART OF 1 | M12x1,5-335 mm | 10 | - | 05482 | Control arm w/o ball joint-R | 81A407152C PART OF 1 | 81A407152E PART OF 1 | - |
| 2 | VW061 | 01437 | Stabilizer link | 1K0411315B | 5Q0411315B | M12x1,5-334 mm | 11 | - | 01877 | Ball joint-L | 3C0407365A | 3C0407365B | M12x1,5 |
| 3 | - | 03916 | Stabilizer link | 5Q0505465A | 5Q0505465C | Rear | 12 | - | 01878 | Ball joint-R | 3C0407366A | 3C0407366B | M12x1,5 |
| 4 | VW079-L | 01453 | Tie rod end-L | 1K0423811A | 3C0423811C | M12x1,5- Female- M16x1,5-95 mm | 13 | - | 03753 | Bushing | 5Q0407182 | 5Q0407182A | - |
| | | | | | | | 14 | - | 03911 | Bushing | 1K0505541B | 5Q0505541A | - |
| | | | | | | | 15 | - | 03660 | Bushing | 1K0505203A | 5Q0505323D PART OF 2 | - |
| 5 | VW079-R | 01454 | Tie rod end-R | 1K0423812A | 3C0423812C | M12x1,5- Female- M16x1,5-95 mm | 16 | - | 03662 | Bushing | 1K0505279A | 5Q0505323D PART OF 3 | - |
| | | | | | | | 17 | - | 03580 | Bushing | 5Q0505145D | - | - |
| | | | | | | | 18 | - | 03581 | Axle Bushing | 5Q0505145E | - | - |
| 6 | VW054 | 01428 | Axial joint | 1K0423810A | - | M16x1,5- M16x1,5-306,5 mm | 19 | - | 05467 | Bushing | 5Q0407183F | 81A407183 | - |
| 7 | - | 05479 | Control arm complete-L | 81A407151C | 81A407151E | - | 20 | - | 03909 | Track Control arm-L | 5Q0505223D | - | - |
| 8 | - | 05480 | Control arm complete-R | 81A407152C | 81A407152E | - | 21 | - | 03910 | Track Control arm-R | 5Q0505224D | - | - |
| 9 | - | 05481 | Control arm w/o ball joint-L | 81A407151C PART OF 1 | 81A407151E PART OF 1 | - | 22 | - | 03573 | Track rod | 5Q0505323C | 5Q0505323D | 12,1-305,6 mm-45 mm |
| | | | | | | | 23 | - | 03915 | Track rod | 5Q0501529C | - | - |

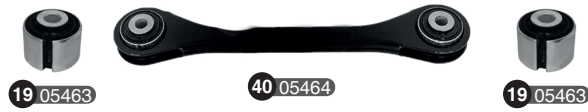






| Ref | Old code | CODE | Description | OE - Number | OE - Number | FEATURES | Ref | Old code | CODE | Description | OE - Number | OE - Number | FEATURES |
|-----|----------|-------|----------------------------|-----------------------|-------------------|------------------------------|-----|----------|-------|---------------------|-------------|--------------------|---------------|
| 1 | VW061 | 01437 | Stabilizer link | 1K0411315B | 5Q0411315B | M12x1,5-334 mm | 11 | VW055-R | 01430 | Ball joint-R | 1K0407366B | 5Q0407366B | Lower-M12x1,5 |
| 2 | - | 01680 | Stabilizer link | 1K0505465J | 1K0505465K | Rear-M10x1,5-95 mm | 12 | VW081 | 01457 | Bushing | 1K0407182 | 1K0407182A | - |
| | | | | | | | 13 | - | 02182 | Bushing | 1K0505543A | - | - |
| 3 | - | 03612 | Stabilizer link | 1K0411315B PART OF 1 | 1K0411315B PARTOF | M12x1,5-335 mm | 14 | - | 03567 | Bushing | 3C0199231F | - | - |
| | | | | | | | 15 | - | 03575 | Bushing | 1K0505171B | 1K0501529F PARTOF1 | - |
| 4 | VW079-L | 01453 | Tie rod end-L | 1K0423811A | 3C0423811C | M12x1,5-Female-M16x1,5-95 mm | 16 | - | 03580 | Bushing | 5Q0505145D | - | - |
| | | | | | | | 17 | - | 03581 | Axle Bushing | 5Q0505145E | - | - |
| 5 | VW079-R | 01454 | Tie rod end-R | 1K0423812A | 3C0423812C | M12x1,5-Female-M16x1,5-95 mm | 18 | - | 03582 | Bushing | 1K0505145K | - | - |
| | | | | | | | 19 | - | 03583 | Bushing | 1K0505145J | - | - |
| 6 | VW054 | 01428 | Axial joint | 1K0423810A | - | M16x1,5-M16x1,5-306,5 mm | 20 | - | 03660 | Bushing | 1K0505203A | 5Q0505323D PARTOF2 | - |
| | | | | | | | 21 | - | 03662 | Bushing | 1K0505279A | 5Q0505323D PARTOF3 | - |
| 7 | - | 03570 | Control arm complete-L | 3C0407151G+1K0407365B | 3C0407151G | - | 22 | - | 03911 | Bushing | 1K0505541B | 5Q0505541A | - |
| | | | | | | | 23 | - | 05485 | Track Control arm-L | 3C0505223 | 3C0505223D | - |
| 8 | - | 03571 | Control arm complete-R | 3C0407151G+1K0407366B | 3C0407151G | - | 24 | - | 05486 | Track Control arm-R | 3C0505224 | 3C0505224D | - |
| | | | | | | | 25 | - | 02179 | Track rod | 1K0501529F | 7N0501529 | Rear |
| 9 | - | 03572 | Control arm w/o ball joint | 3C0407151G | - | - | 26 | - | 02183 | Track rod | 1K0505323G | 1K0505323P | Rear |
| 10 | VW055-L | 01429 | Ball joint-L | 1K0407365B | 5Q0407365B | Lower-M12x1,5 | | | | | | | |

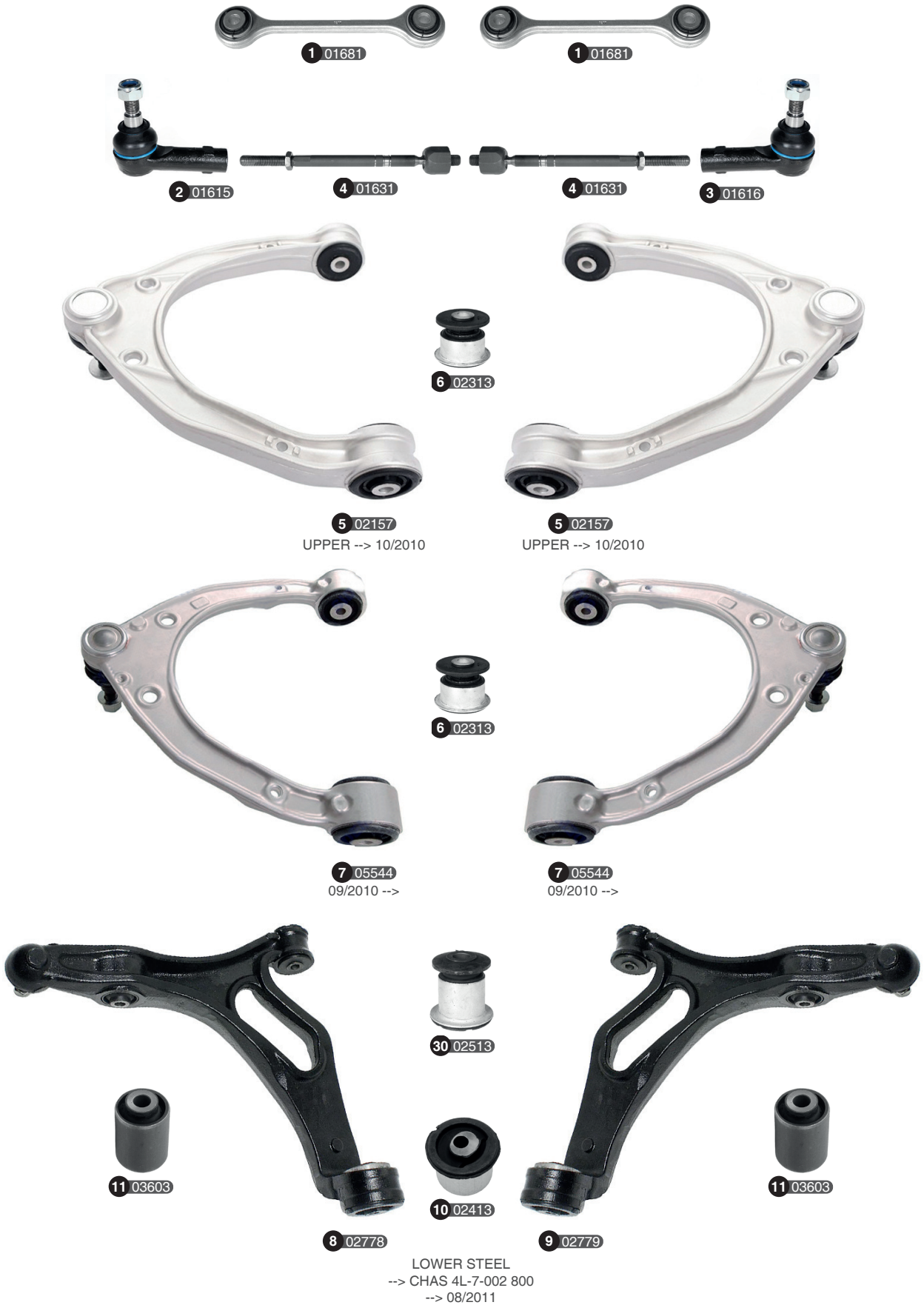






| Ref | Old code | CODE | Description | OE – Number | OE – Number | FEATURES | Ref | Old code | CODE | Description | OE – Number | OE – Number | FEATURES |
|-----|----------|-------|-----------------|-------------------------|-------------------------|----------------------------|-----|----------|-------|---------------------|-------------|-------------|-------------------|
| 1 | - | 05380 | Stabilizer link | 4H0411317A | 8K0411317ES1 | - | 21 | - | 05468 | Axle Bushing | 8K0505365B | - | - |
| 2 | - | 05375 | Stabilizer link | 8K0411317D | - | - | 22 | - | 03274 | Track Control arm-L | 8K0407693F | 8K0407693N | M12x1.5-421.5 |
| 3 | - | 05454 | Stabilizer link | 4G0411317A | 4M0411317 | - | 23 | - | 03275 | Track Control arm-R | 8K0407694H | 8K0407694N | M12x1.5-421.5 |
| 4 | - | 02575 | Stabilizer link | 8K0505465E | - | 60 mm Rear | 24 | - | 03628 | Track Control arm-L | 8K0407151B | 8K0407151D | Lower-277 mm |
| 5 | - | 02572 | Tie rod end-L | 8K0422817A | 8K0422817B | - | 25 | - | 03629 | Track Control arm-R | 8K0407152B | 8K0407152D | Lower-277 mm |
| 6 | - | 05451 | Tie rod end-L | 4G0423811A | - | - | 26 | - | 03630 | Track Control arm-L | 8K0407505M | - | Upper-16-268 mm |
| 7 | - | 02573 | Tie rod end-R | 8K0422818A | 8K0422818B | - | 27 | - | 03631 | Track Control arm-R | 8K0407506B | 8K0407506M | Upper-16-268 mm |
| 8 | - | 05452 | Tie rod end-R | 4G0423812A | - | - | 28 | - | 03733 | Track Control arm-L | 4GD407505A | 8KD407505A | Upper-16-268 mm |
| 9 | - | 02001 | Axial joint | 4H0422810 | 8J0423810 | M16x1,5- M16x1,5-243 mm | 29 | - | 03734 | Track Control arm-R | 4GD407506A | 8KD407506A | Upper-16-268 mm |
| 10 | - | 05523 | Axial joint | 4G0423810 | 4G0423810A | - | 30 | - | 03735 | Track Control arm-L | 4GD407509A | 8KD407509A | Upper-16-235,5 mm |
| 11 | - | 02574 | Ball joint | 8K0407689D | 8K0407689F | Lower-M12x1,5 | 31 | - | 03736 | Track Control arm-R | 4GD407510A | 8KD407510A | Upper-16-235,5 mm |
| 12 | - | 05379 | Ball joint | 4G0407689A | 8W0407689B | - | 32 | - | 03739 | Track Control arm-L | 8K0407151G | - | Lower |
| 13 | - | 03437 | Bushing | 4B0407515 | 4D0407515C | - | 33 | - | 03740 | Track Control arm-R | 8K0407152G | - | Lower |
| 14 | - | 05455 | Bushing | 4H0407515 | 8R0407515 | - | 34 | - | 03632 | Track Control arm-L | 8K0407509B | 8K0407509M | Upper-16-235,5 mm |
| 15 | - | 05460 | Bushing | 4E0407181B | 80A407181 | - | 35 | - | 03633 | Track Control arm-R | 8K0407510B | 8K0407510M | Upper-16-235,5 mm |
| 16 | - | 05459 | Bushing | 8K0407182A | 8K0407182B | - | 36 | - | 05521 | Track Control arm-L | 8K0407693S | - | - |
| 17 | - | 05456 | Bushing | 8K0407183A | - | - | 37 | - | 05522 | Track Control arm-R | 8K0407694S | - | - |
| 18 | - | 05006 | Axle Bushing | 8K0407183D | 9A740769303 | - | 38 | - | 05465 | Track Control arm-L | 8K0505323D | 8K0505323H | - |
| 19 | - | 05463 | Bushing | 8K0501529L PART OF | 8K0501537C | - | 39 | - | 05466 | Track Control arm-R | 8K0505324D | 8K0505324H | - |
| 20 | - | 05446 | Bushing | 4M0505397P PART OF 2 | 8W0505398E PART OF 2 | - | 40 | - | 05464 | Track rod | 8K0501529L | - | - |







LOWER STEEL
--> 04/2010



LOWER ALU
--> CHAS 4L-7-002 801 --> 4L-8053 604
--> 02/2011



LOWER ALU
--> CHAS 4L-8-053 605 -->





20 05550



19 05549



21 05553



19 05549



20 05550



22 05002



23 05551



21 05553



24 05552



22 05002



20 05550



25 05554



22 05002



26 05555

4L-8-030 301 -->



27 05556

4L-8-030 301 -->



28 05557

--> 4L-8-030 300



29 05558

--> 4L-8-030 300





| Ref | Old code | CODE | Description | OE – Number | OE – Number | FEATURES | Ref | Old code | CODE | Description | OE – Number | OE – Number | FEATURES |
|-----|----------|-------|------------------------|-------------|-------------|------------------------|-----|----------|-------|------------------------|----------------------|-----------------------|----------|
| 1 | - | 01681 | Stabilizer link | 7L0411317 | - | 197 mm-12.1-30 mm | 16 | - | 05378 | Control arm complete-R | 7L8407152D | 7L8407152E | - |
| 2 | - | 01615 | Tie rod end-L | 7L0422817B | 7L0422817C | M16x1,5-89 mm | 17 | - | 05547 | Control arm complete-L | 7L8407151F | 7P0407151C | - |
| 3 | - | 01616 | Tie rod end-R | 7L0422818B | 7L0422818C | M16x1,5-89 mm | 18 | - | 05548 | Control arm complete-R | 7L8407152F | 7L8407152K | - |
| 4 | - | 01631 | Axial joint | 7L8422055BF | 7L0422821B | M16x1,5-M16x1,5-289 mm | 19 | - | 05549 | Track Control arm | 95533104710 | 7L0505323A | - |
| 5 | - | 02157 | Control arm complete | 7L0407021B | - | Upper | 20 | - | 05550 | Bushing | 7L0505553 | 95833104600 PART OF 2 | - |
| 6 | - | 02313 | Bushing | 7L0407077 | - | - | 21 | - | 05553 | Bushing | 7L0505323A PART OF 2 | 95533105000 PART OF 2 | - |
| 7 | - | 05544 | Control arm complete | 7L8407021 | - | - | 22 | - | 05002 | Bushing | 7L0501529C PART OF 1 | 95833104600 PART OF | - |
| 8 | - | 02778 | Control arm complete-L | 7L0407151C | 7L0407151E | - | 23 | - | 05551 | Track Control arm-L | 7L0505397 | - | - |
| 9 | - | 02779 | Control arm complete-R | 7L8407152B | 7L8407152E | - | 24 | - | 05552 | Track Control arm-R | 7L0505398 | - | - |
| 10 | - | 02413 | Bushing | 7L0407182C | 7L0407182E | - | 25 | - | 05554 | Track rod | 7L0501529C | 7L8501529A | - |
| 11 | - | 03603 | Bushing | 7L0412333A | - | - | 26 | - | 05555 | Stabilizer link-L | 7L0505465C | 7L0505465D | Rear |
| 12 | - | 05545 | Control arm complete-L | 7L0407151F | 7L0407151J | - | 27 | - | 05556 | Stabilizer link-R | 7L0505466C | 7L0505466D | Rear |
| 13 | - | 05546 | Control arm complete-R | 7L0407152F | 7L0407152J | - | 28 | - | 05557 | Stabilizer link-L | 7L8505465B | - | - |
| 14 | - | 03638 | Bushing | 7L0407182F | 7L0407182G | - | 29 | - | 05558 | Stabilizer link-R | 7L8505466B | - | - |
| 15 | - | 05377 | Control arm complete-L | 7L8407151D | 7L8407151E | - | 30 | - | 02513 | Bushing | 2H0407183A | 7L0407183A | - |





| Ref | Old code | CODE | Description | OE - Number | OE - Number | FEATURES | Ref | Old code | CODE | Description | OE - Number | OE - Number | FEATURES |
|-----|----------|-------|-----------------|-------------|-------------|----------|-----|----------|-------|---------------|-------------|-------------|----------|
| 1 | - | 05454 | Stabilizer link | 4G0411317A | 4M0411317 | - | 3 | - | 05562 | Tie rod end-R | 4M0423812B | 4M0423812D | - |
| 2 | - | 05561 | Tie rod end-L | 4M0411317F | 4M0423811B | - | 4 | - | 05498 | Axial joint | 4M0423810C | - | - |



| Ref | Old code | CODE | Description | OE - Number | OE - Number | FEATURES | Ref | Old code | CODE | Description | OE - Number | OE - Number | FEATURES |
|-----|----------|-------|-------------------|-------------|-------------|------------------------------|-----|----------|-------|------------------------------|---------------------|-------------|----------|
| 1 | - | 01717 | Stabilizer link | 1J0505466B | - | M10x1,5-176 mm Rear | 7 | - | 01645 | Control arm complete-L | 8N0404151A | 8N0407151A | - |
| 2 | SK035-L | 01266 | Stabilizer link-L | 1J0411315D | - | M12x1,5-334 mm | 8 | - | 01644 | Control arm complete-R | 8N0407152A | - | - |
| 3 | SK035-R | 01267 | Stabilizer link-R | 1J0411316D | - | M12x1,5-334 mm | 9 | - | 02294 | Control arm w/o ball joint-L | 1ML407151 PART OF 1 | - | - |
| 4 | - | 01525 | Tie rod end-L | 8N0422811A | - | M12x1,5-Female-M16x1,5-85 mm | 10 | - | 02295 | Control arm w/o ball joint-R | 1ML407152 PART OF 1 | - | - |
| 5 | - | 01524 | Tie rod end-R | 8N0422812A | - | M12x1,5-Female-M16x1,5-85 mm | 11 | - | 01636 | Ball joint | 8N0407365B | 8N0407365C | Lower |
| 6 | - | 01599 | Axial joint | 8N0422807D | - | M16x1,5-M16x1,5-332 mm | 12 | VW012 | 01388 | Bushing | 357407182 | - | Small |
| | | | | | | | 13 | - | 03284 | Bushing | 6R0407181B | 8N0407181B | Big |
| | | | | | | | 14 | - | 04834 | Track rod | 1J0505323E | 1J0505323L | Rear |



| Ref | Old code | CODE | Description | OE - Number | OE - Number | FEATURES | Ref | Old code | CODE | Description | OE - Number | OE - Number | FEATURES |
|-----|-----------|-------|-------------------|-------------|-------------|-----------------------------|-----|-------------------|-------|---------------------|-------------|-------------|------------------|
| 1 | - | 01489 | Stabilizer link-L | 8A0505465C | - | M10x1,5-228 mm | 10 | - | 03438 | Bushing | 4D0407183AB | 4D0407183M | - |
| 2 | - | 01488 | Stabilizer link-R | 8A0505466C | - | M10x1,5-228 mm | 11 | AU027 | 00058 | Track Control arm | 4D0407151A | 8D0407151E | M12x1,5-269,5 mm |
| 3 | AU003-C/L | 00034 | Stabilizer link-L | 4D0411317D | 8E0411317 | 90 mm | 12 | AU024-L (AU025-L) | 00052 | Track Control arm-L | 8D0407505B | 8E0407505P | 16-273 mm |
| 4 | AU003-C/R | 00035 | Stabilizer link-R | 4D0411318D | 8E0411318 | 90 mm | 13 | AU024-R (AU025-R) | 00053 | Track Control arm-R | 8D0407506D | 8E0407506P | 16-273 mm |
| 5 | AU017 | 00044 | Tie rod end | 4B0419811B | 8E0419811B | M8x1,25-Male-M14x1,5-155 mm | 14 | AU022-L | 02311 | Track Control arm-L | 4D0407509B | 8E0407509C | 16-249 mm |
| 6 | AU018 | 00045 | Axial joint | 4D0422821 | 4D0422821A | M14x1,5-M16x1,5-129 mm | 15 | AU022-R | 02312 | Track Control arm-R | 4D0407510K | 8E0407510C | 16-249 mm |
| 7 | - | 03437 | Bushing | 4B0407515 | 4D0407515C | - | 16 | AU026-L | 00056 | Track Control arm-L | 4D0407693AC | 8E0407693Q | M12x1,5-382,5 mm |
| 8 | - | 03609 | Bushing | 4D0407181F | 4D0407181H | - | 17 | AU026-R | 00057 | Track Control arm-R | 4D0407694AC | 8E0407694Q | M12x1,5-382,5 mm |
| 9 | - | 03608 | Bushing | 4D0407182E | 8E0407182A | - | | | | | | | |



TT (8J3) (10/2006-06/2014)
TT ROADSTER (8J9) (02/2007-06/2014)
TT QUATTRO (10/2006-06/2014)





TT (8J3) (10/2006-06/2014)
TT ROADSTER (8J9) (02/2007-06/2014)
TT QUATTRO (10/2006-06/2014)

| Ref | Old code | CODE | Description | OE – Number | OE – Number | FEATURES | Ref | Old code | CODE | Description | OE – Number | OE – Number | FEATURES |
|-----|----------|-------|------------------------|------------------------|-------------------|------------------------|-----|----------|-------|---------------------|--------------------|--------------------|----------|
| 1 | VW061 | 01437 | Stabilizer link | 1K0411315B | 5Q0411315B | M12x1,5-334 mm | 12 | - | 02182 | Bushing | 1K0501529F-Part of | - | - |
| 2 | - | 01680 | Stabilizer link | 1K0505465C | 1K0505465K | Rear-M10x1,5-95 mm | 13 | - | 03575 | Bushing | 1K0501529F-Part of | 1K0501529F PARTOF1 | - |
| 3 | - | 03612 | Stabilizer link | 1K0411315B-Part of | 1K0411315B PARTOF | M12x1,5-335 mm | 14 | - | 03580 | Bushing | 5Q0505145D | - | - |
| 4 | - | 02576 | Tie rod end-L | 8J0423811 | - | - | 15 | - | 03582 | Bushing | 1K0505145K | - | - |
| 5 | - | 02577 | Tie rod end-R | 8J0423812 | - | - | 16 | - | 03583 | Bushing | 1K0505145J | - | - |
| 6 | - | 02001 | Axial joint | 4H0422810 | 8J0423810 | M16x1,5-M16x1,5-243 mm | 17 | - | 03911 | Bushing | 1K0505541B | 5Q0505541A | - |
| 7 | - | 05487 | Control arm complete-L | 8J0407151D + 8J0407365 | 8J0407151DS1 | - | 18 | - | 05469 | Bushing | 8J0199231 | - | - |
| 8 | - | 05488 | Control arm complete-R | 8J0407151D + 8J0407366 | 8J0407151DS2 | - | 19 | - | 03660 | Bushing | 1K0505203A | 5Q0505323D PARTOF2 | - |
| 9 | - | 02578 | Ball joint-L | 8J0407365 | - | - | 20 | - | 03662 | Bushing | 1K0505279A | 5Q0505323D PARTOF3 | - |
| 10 | - | 02579 | Ball joint-R | 8J0407366 | - | - | 21 | - | 03581 | Axle Bushing | 5Q0505145E | - | - |
| 11 | VW081 | 01457 | Bushing | 1K0407182 | 1K0407182A | - | 22 | - | 05371 | Track Control arm-L | 1K0505223H | 1K0505223K | - |
| | | | | | | | 23 | - | 05372 | Track Control arm-R | 1K0505224H | 1K0505224K | - |
| | | | | | | | 24 | - | 02179 | Track rod | 1K0501529J | 7N0501529 | Rear |
| | | | | | | | 25 | - | 02183 | Track rod | 1K0505323H | 1K0505323P | Rear |







| Ref | Old code | CODE | Description | OE - Number | OE - Number | FEATURES | Ref | Old code | CODE | Description | OE - Number | OE - Number | FEATURES |
|-----|----------|-------|-------------------|-------------|-------------|---|-----|----------|-------|---------------------------------|------------------------|-------------|-------------------------------|
| 1 | - | 01718 | Stabilizer link | 1J0505466C | - | Rear- M10x1,5-195 mm | 7 | - | 01599 | Axial joint | 8N0422807D | - | M16x1,5- M16x1,5-332 mm |
| 2 | - | 01717 | Stabilizer link | 1J0505466B | - | M10x1,5-176 mm Rear | 8 | - | 01645 | Control arm complete-L | 8N0404151A | 8N0407151A | - |
| 3 | SK035-L | 01266 | Stabilizer link-L | 1J0411315D | - | M12x1,5-334 mm | 9 | - | 01644 | Control arm complete-R | 8N0407152A | - | - |
| 4 | SK035-R | 01267 | Stabilizer link-R | 1J0411316D | - | M12x1,5-334 mm | 10 | - | 02294 | Control arm w/o ball joint-L | 8N0407152A- Part of | - | - |
| 5 | - | 01525 | Tie rod end-L | 8N0422811A | - | M12x1,5- Female- M16x1,5-85 mm | 11 | - | 02295 | Control arm w/o ball joint-R | 8N0404151A- Part of | - | - |
| | | | | | | | 12 | - | 01636 | Ball joint | 8N0407365B | 8N0407365C | Lower |
| | | | | | | | 13 | VW012 | 01388 | Bushing | 357407182 | - | - |
| 6 | - | 01524 | Tie rod end-R | 8N0422812A | - | M12x1,5- Female- M16x1,5-85 mm | 14 | - | 02178 | Bushing | 1J0501541C | - | - |
| | | | | | | | 15 | - | 03284 | Bushing | 6R0407181B | 8N0407181B | Big |
| | | | | | | | 16 | - | 04834 | Track rod | 1J0505323E | 1J0505323L | Rear |







| Ref | Old code | CODE | Description | OE – Number | OE – Number | FEATURES | Ref | Old code | CODE | Description | OE – Number | OE – Number | FEATURES |
|-----|----------|-------|------------------------|---------------------------|----------------------|-------------------|-----|----------|-------|---------------------|-------------|-----------------------|------------------------|
| 1 | - | 03612 | Stabilizer link | 1K0411315B PART OF 1 | 1K0411315B PARTOF | M12x1,5-335 mm | 12 | - | 05496 | Bushing | 8S0407183B | - | - |
| 2 | VW061 | 01437 | Stabilizer link | 1K0411315B | 5Q0411315B | M12x1,5-334 mm | 13 | - | 03580 | Bushing | 5Q0505145D | - | - |
| | | | | | | | 14 | - | 03581 | Axle Bushing | 5Q0505145E | - | - |
| 3 | - | 03916 | Stabilizer link | 5Q0505465A | 5Q0505465C | Rear | 15 | - | 03911 | Bushing | 1K0505541B | 5Q0505541A | - |
| 4 | - | 05489 | Tie rod end-L | 8S0423811A | - | - | 16 | - | 03660 | Bushing | 1K0505203A | 5Q0505323D PARTOF2 | - |
| 5 | - | 05490 | Tie rod end-R | 8S0423812A | - | - | 17 | - | 03662 | Bushing | 1K0505279A | 5Q0505323D PARTOF3 | - |
| 6 | - | 05491 | Axial joint | 8S0423810A | 8S0423810B | - | | | | | | | |
| 7 | - | 05494 | Control arm complete-L | 8S0407151D + 8J0407365 | 8S0407151DS1 | - | 18 | - | 03909 | Track Control arm-L | 5Q0505223D | - | - |
| 8 | - | 05495 | Control arm complete-R | 8S0407152D + 8J0407366 | 8S0407151DS2 | - | 19 | - | 03910 | Track Control arm-R | 5Q0505224D | - | - |
| 9 | - | 02578 | Ball joint-L | 8J0407365 | - | - | | | | | | | |
| 10 | - | 02579 | Ball joint-R | 8J0407366 | - | - | 20 | - | 03573 | Track rod | 5Q0505323C | 5Q0505323D | 12,1-305,6 mm-45 mm |
| 11 | - | 03753 | Bushing | 5Q0407182 | 5Q0407182A | - | 21 | - | 03915 | Track rod | 5Q0501529C | - | - |







| Ref | Old code | CODE | Description | OE – Number | OE – Number | FEATURES | Ref | Old code | CODE | Description | OE – Number | OE – Number | FEATURES |
|-----|----------|-------|------------------------------|--------------------|-------------|--------------------------------------|-----|----------|-------|------------------------------|--------------------|-------------|---------------------|
| 1 | SK001 | 01256 | Stabilizer link | 6Q0411315A | 8Z0411315D | M10x1,5-272 mm (Metal) | 9 | VW012 | 01388 | Bushing | 180407182 | 357407182 | Small |
| 2 | VW079-L | 01453 | Tie rod end-L | 1K0423811A | 1K0423811B | M12x1,5- Female- M16x1,5-95 mm | 10 | - | 07221 | Bushing | 2Q0407183 | 2Q0407183B | Big |
| | | | | | | | 11 | VW055-L | 01429 | Ball joint-L | 1K0407365B | 5Q0407365B | M12x1,5 |
| 3 | VW079-R | 01454 | Tie rod end-R | 1K0423812A | 1K0423812B | M12x1,5- Female- M16x1,5-95 mm | 12 | VW055-R | 01430 | Ball joint-R | 1K0407366B | 5Q0407366B | M12x1,5 |
| | | | | | | | 13 | - | 07222 | Control arm complete-L | 2Q0407151C | 2Q0407151E | 1.5-2.0L 35-40 TFSI |
| 4 | - | 07214 | Axial joint | 2Q0423810D | - | - | 14 | - | 07223 | Control arm complete-R | 2Q0407152C | 2Q0407152E | 1.5-2.0L 35-40 TFSI |
| 5 | - | 07215 | Control arm complete-L | 2Q0407151B | 2Q0407151D | 1.0L 25-30 TFSI | 15 | - | 07224 | Control arm w/o ball joint-L | 2Q0407151C PART OF | - | - |
| 6 | - | 07216 | Control arm complete-R | 2Q0407152B | 2Q0407152D | 1.0L 25-30 TFSI | | | | | | | |
| 7 | - | 07217 | Control arm w/o ball joint-L | 2Q0407151B PART OF | - | - | 16 | - | 07225 | Control arm w/o ball joint-R | 2Q0407152C PART OF | - | - |
| 8 | - | 07218 | Control arm w/o ball joint-R | 2Q0407152B PART OF | - | - | 17 | - | 03596 | Bushing | 5Q0407182F | 5Q0407183G | Big |
| | | | | | | | 18 | - | 03908 | Axle Bushing | 5Q0501541C | - | Rear Axle |





1 05380
Adaptive Sport Susp.



1 05380
Adaptive Sport Susp.



2 05454
Air Susp.



2 05454
Alu reinf.



3 05451



5 05523



5 05523



4 05452



6 03630
UPPER



8 05455



7 03631
UPPER



9 03632
UPPER



8 05455



10 03633
UPPER



15 05379



11 03739
LOWER



13 05460



12 03740
LOWER



15 05379
M14 08/2011 -->



14 05459



14 05459



16 03741



18 05515

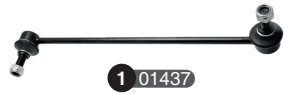


17 03742





| Ref | Old code | CODE | Description | OE - Number | OE - Number | FEATURES | Ref | Old code | CODE | Description | OE - Number | OE - Number | FEATURES |
|-----|----------|-------|----------------------|-------------|--------------|-------------------|-----|----------|-------|---------------------|----------------------|----------------------|------------|
| 1 | - | 05380 | Stabilizer link | 4H0411317A | 8K0411317ES1 | - | 13 | - | 05460 | Bushing | 4E0407181B | 80A407181 | - |
| 2 | - | 05454 | Stabilizer link | 4G0411317A | 4M0411317 | - | 14 | - | 05459 | Bushing | 8K0407182A | 8K0407182B | - |
| 3 | - | 05451 | Tie rod end-L | 4G0423811A | - | - | 15 | - | 05379 | BALL JOINT (LOWER) | 4G0407689A | 4G0407689C | 25,1 |
| 4 | - | 05452 | Tie rod end-R | 4G0423812A | - | - | 16 | - | 03741 | Track Control arm-L | 4G0407693D | 4G0407693J | - |
| 5 | - | 05523 | Axial joint | 4G0423810 | 4G0423810A | - | 17 | - | 03742 | Track Control arm-R | 4G0407694D | 4G0407694J | - |
| 6 | - | 03630 | Track Control arm-L | 8K0407505M | - | Upper-16-268 mm | 18 | - | 05515 | Bushing | 4G0407183 | 4H0407183C | - |
| 7 | - | 03631 | Track Control arm-R | 8K0407506B | 8K0407506M | Upper-16-268 mm | 19 | - | 05465 | Track Control arm-L | 8K0505323D | 8K0505323H | - |
| 8 | - | 05455 | Bushing | 4H0407515 | 8R0407515 | - | 20 | - | 05466 | Track Control arm-R | 8K0505324D | 8K0505324H | - |
| 9 | - | 03632 | Track Control arm-L | 8K0407509M | - | Upper-16-235,5 mm | 21 | - | 05446 | Bushing | 4M0505397P PART OF 2 | 8W0505398E PART OF 2 | - |
| 10 | - | 03633 | Track Control arm-R | 8K0407510M | - | Upper-16-235,5 mm | 22 | - | 05464 | Track rod | 8K0501529L | - | - |
| 11 | - | 03739 | TRACK CONTROL ARM LH | 8K0407151F | 8K0407151G | - | 23 | - | 05461 | Track rod-L | 8K0501529K | 8K0501529N | - |
| 12 | - | 03740 | TRACK CONTROL ARM RH | 8K0407152F | 8K0407152G | - | 24 | - | 05462 | Track rod-R | 8K0501530K | 8K0501530N | - |
| | | | | | | | 25 | - | 05463 | Bushing | 8K0501537C | - | - |
| | | | | | | | 26 | - | 02575 | Stabilizer link | 8K0505465E | - | Rear-60 mm |



ALU WHEEL BEARING HOUSING



ALU WHEEL BEARING HOUSING





STANDARD REAR AXLE



12 03908



12 03908

MULTILINK REAR AXLE



13 03909



15 03911



14 03910



17 03660



16 03573



18 03662



16 03573



17 03660



20 08061



19 03915



21 08062



23 05497



22 07942



24 07354



22 07942



23 05497



25 03916



25 03916





| Ref | Old code | CODE | Description | OE - Number | OE - Number | FEATURES | Ref | Old code | CODE | Description | OE - Number | OE - Number | FEATURES |
|-----|----------|-------|------------------------|-------------------------|---------------|----------|-----|----------|-------|---------------------|-------------------------|-------------|-----------------------|
| 1 | VW061 | 01437 | Stabilizer link | 1K0411315B | 1K0411315D | Metal | 14 | - | 03910 | Track Control arm-R | 5Q0505224D | - | Rear |
| 2 | - | 03612 | Stabilizer link | 1K0411315B PART OF 1 | - | - | 15 | - | 03911 | Bushing | 1K0505541B | - | - |
| 3 | - | 08292 | Tie rod end-L | 5WA423811C | 5WA423811E | - | 16 | - | 03573 | Track rod | 5Q0505323C | 5Q0505323D | 305,6-12,1-45 mm-Rear |
| 4 | - | 08293 | Tie rod end-R | 5WA423812B | 5WA423812E | - | 17 | - | 03660 | Bushing | 1K0505203A | 5Q0505323D | 14 |
| 5 | - | 07936 | Axial joint | 5WA423810C | - | - | 18 | - | 03662 | Bushing | 1K0505279A | 5Q0505323D | 12 |
| 6 | - | 07939 | Control arm complete-L | 5WA407151S2 | 5Q0407151ACS2 | - | 19 | - | 03915 | Track rod | 5Q0501529G | - | - |
| 7 | - | 07940 | Control arm complete-R | 5WA407152S2 | 5Q0407152ACS2 | - | 20 | - | 08061 | Bushing | 5Q0501529G PART OF 1 | - | - |
| 8 | - | 01877 | Ball joint-L | 3C0407365A | 3C0407365B | M12x1,5 | 21 | - | 08062 | Bushing | 5Q0501529G PART OF 2 | - | - |
| 9 | - | 01878 | Ball joint-R | 3C0407366A | 3C0407366B | M12x1,5 | 22 | - | 07942 | Track Control Arm | 5WA505311A | - | - |
| 10 | - | 03753 | Bushing | 5Q0407182 | 5Q0407182A | - | 23 | - | 05497 | Bushing | 5Q0505553 | - | - |
| 11 | - | 03596 | Bushing | 5Q0407182F | 5Q0407183G | Big | 24 | - | 07354 | Bushing | 5Q0505171B | - | - |
| 12 | - | 03908 | Bushing | 5Q0501541C | 5Q0501541F | - | 25 | - | 03916 | Stabilizer Link | 5Q0505465A | 5Q0505465C | M10x1,5 |
| 13 | - | 03909 | Track Control arm-L | 5Q0505223D | - | Rear | | | | | | | |





1 05454



1 05454



2 05423



4 05498



4 05498



3 05424

UPPER



5 05499



7 05503



6 05500



8 05501



7 05503



9 05502

LOWER



10 05504



12 05506



11 05505



13 05507



14 05459



14 05459



13 05507



15 05508



17 05510



16 05509







| Ref | Old code | CODE | Description | OE - Number | OE - Number | FEATURES | Ref | Old code | CODE | Description | OE - Number | OE - Number | FEATURES |
|-----|----------|-------|----------------------|----------------------|------------------------|----------|-----|----------|-------|----------------------|-------------------------|-------------------------|----------|
| 1 | - | 05454 | STABILIZER LINK | 4G0411317A | 4M0411317 | - | 19 | - | 05437 | BUSHING | 4M0505291D PART OF 1 | 4M0505323G PART OF 1 | - |
| 2 | - | 05423 | TIE ROD END LH | 8W0423811B | 8W0423811C | - | 20 | - | 05439 | BUSHING | 4M0505269 | 4M0505323G PART OF 3 | - |
| 3 | - | 05424 | TIE ROD END RH | 8W0423812B | 8W0423812C | - | 21 | - | 05512 | BUSHING | 8W0505541H | 4M0505323G PART OF 2 | - |
| 4 | - | 05498 | AXIAL JOINT | 4M0423810C | PAB423810A | - | 22 | - | 05440 | TRACK ROD LH | 4M0505291D | 80A505291 | - |
| 5 | - | 05499 | TRACK CONTROL ARM LH | 4M0407505B | 4M0407505C | - | 23 | - | 05441 | TRACK ROD RH | 4M0505292D | 80A505292 | - |
| 6 | - | 05500 | TRACK CONTROL ARM RH | 4M0407506B | 4M0407506C | - | 24 | - | 05442 | BUSHING | 4M0505291D PART OF 2 | 4M0505541K | - |
| 7 | - | 05503 | BUSHING | 958407509 PART OF | 958407510 PART OF | - | 25 | - | 08420 | TRACK ROD LH (REAR) | 4M0505291F | - | - |
| 8 | - | 05501 | TRACK CONTROL ARM LH | 4M0407509B | 958407509C | - | 26 | - | 08421 | TRACK ROD RH (REAR) | 4M0505292F | - | - |
| 9 | - | 05502 | TRACK CONTROL ARM RH | 4M0407510B | 4M0407510C | - | 27 | - | 05513 | TRACK ROD LH | 4N0505397A | 80A505397A | - |
| 10 | - | 05504 | TRACK CONTROL ARM LH | 4K0407151 | 80A407151A | - | 28 | - | 05514 | TRACK ROD RH | 4N0505398A | 80A505398A | - |
| 11 | - | 05505 | TRACK CONTROL ARM RH | 80A407152A | 4K0407152 | - | 29 | - | 05519 | BUSHING | 4M0505541M | 80A501529A PART OF 2 | - |
| 12 | - | 05506 | BUSHING | 4M0407182A | 95840715200 PART OF | - | 30 | - | 05446 | BUSHING | 8K0501541 | 8K0501541B | - |
| 13 | - | 05507 | BALL JOINT (LOWER) | 80A407689B | 80A407689C | - | 31 | - | 05516 | TRACK ROD LH | 4M0501529N | 4M0501529Q | - |
| 14 | - | 05459 | BUSHING | 4E0407181B | 80A407181 | - | 32 | - | 05517 | TRACK ROD RH | 4M0501530N | PAB501530 | - |
| 15 | - | 05508 | TRACK CONTROL ARM LH | 80A407693E | 80A407693D | - | 33 | - | 05518 | BUSHING | 8W0501537 | 4M0501529N PART OF 1 | - |
| 16 | - | 05509 | TRACK CONTROL ARM RH | 80A407694D | 80A407694E | - | 34 | - | 05520 | TRACK ROD | 4M0501529L | PAB501529 | - |
| 17 | - | 05510 | BUSHING | 4K0407183 | 4K0407183A | - | 35 | - | 05450 | STABILIZER LINK | 8W0505465B | 4N0505465F | - |
| 18 | - | 05511 | TRACK CONTROL ARM | 958505323G | 4M0505323G | - | 36 | - | 05526 | TRACK CONTROL ARM LH | 4K0505397A | 4M0505397L | - |
| | | | | | | | 37 | - | 05527 | TRACK CONTROL ARM RH | 4M0505398L | 4K0505398A | - |





1 05454
STD. SUSP.



1 05454
STD. SUSP.



2 05560
ACT. SUSP.



2 05560
ACT. SUSP.



3 05561

5 05498

5 05498

4 05562



6 05499
UPPER



8 05503



7 05500
UPPER



9 05501
UPPER



8 05503



10 05502
UPPER



15 05566

14 05565

11 05563
LOWER

13 05506

12 05564
LOWER

14 05565

15 05566



16 05567



18 05569



17 05568







| Ref | Old code | CODE | Description | OE – Number | OE – Number | FEATURES | Ref | Old code | CODE | Description | OE – Number | OE – Number | FEATURES |
|-----|----------|-------|----------------------|-------------|-----------------------|----------|-----|----------|-------|---------------------|----------------------|----------------------|----------|
| 1 | - | 05454 | STABILIZER LINK | 4G0411317A | 4M0411317 | - | 19 | - | 05511 | TRACK CONTROL ARM | 4M0505323G | 958505323G | - |
| 2 | - | 05560 | STABILIZER LINK | 4M0411317E | 4M0411317F | - | 20 | - | 05437 | BUSHING | 4M0505291D PART OF 1 | 4M0505292D PART OF 1 | - |
| 3 | - | 05561 | TIE ROD END LH | 4M0423811B | 4M0423811D | - | 21 | - | 05439 | BUSHING | 4M0505269 | 4M0505323F PART OF | - |
| 4 | - | 05562 | TIE ROD END RH | 4M0423812B | 4M0423812D | - | 22 | - | 05512 | BUSHING | 4M0505323G PART OF 2 | 8W0505541H | - |
| 5 | - | 05498 | AXIAL JOINT | 4M0423810C | PAB423810A | - | 23 | - | 08420 | TRACK ROD LH (REAR) | 4M0505291F | - | - |
| 6 | - | 05499 | TRACK CONTROL ARM LH | 4M0407505B | 4M0407505C | - | 24 | - | 08421 | TRACK ROD RH (REAR) | 4M0505292F | - | - |
| 7 | - | 05500 | TRACK CONTROL ARM RH | 4M0407506B | 4M0407506C | - | 25 | - | 05442 | BUSHING | 4M0505291D PART OF 2 | 4M0505292D PART OF 2 | - |
| 8 | - | 05503 | BUSHING | 4M0407515 | 4M0407515A | - | 26 | - | 08412 | TRACK ROD LH (REAR) | 4M0505397Q | 4M0505397R | - |
| 9 | - | 05501 | TRACK CONTROL ARM LH | 4M0407509B | 4M0407509C | - | 27 | - | 08413 | TRACK ROD RH (REAR) | 4M0505398Q | 4M0505398R | - |
| 10 | - | 05502 | TRACK CONTROL ARM RH | 4M0407510B | 4M0407510C | - | 28 | - | 05574 | 4M0505398R | 4M0505397P PART OF 1 | 4M0505397Q PART OF 1 | - |
| 11 | - | 05563 | TRACK CONTROL ARM LH | 4M0407151D | 4M0407151F | - | 29 | - | 05446 | BUSHING | 4K0505397A PART OF | 4M0505397P PART OF 2 | - |
| 12 | - | 05564 | TRACK CONTROL ARM RH | 4M0407152D | 4M0407152F | - | 30 | - | 05570 | TRACK ROD LH | 4KE505397 | 4M0505397P | - |
| 13 | - | 05506 | BUSHING | 4M0407182 | 4M0407182A | - | 31 | - | 05571 | TRACK ROD RH | 4KE505398 | 4M0505398P | - |
| 14 | - | 05565 | BUSHING | 4M0407181 | 95840715100 PART OF 1 | - | 32 | - | 05516 | TRACK ROD LH | 4M0501529A | 4M0501529N | - |
| 15 | - | 05566 | BALL JOINT (LOWER) | 4M0407689B | 4M0407689C | - | 33 | - | 05517 | TRACK ROD RH | 4M0501530A | 4M0501530N | - |
| 16 | - | 05567 | TRACK CONTROL ARM LH | 4M0407693C | 4M0407693D | - | 34 | - | 05518 | BUSHING | 4M0501529A PART OF 1 | 4M0501529L PART OF 1 | - |
| 17 | - | 05568 | TRACK CONTROL ARM RH | 4M0407694C | 4M0407694D | - | 35 | - | 05519 | BUSHING | 4M0501529L PART OF 2 | 4M0501529N PART OF 2 | - |
| 18 | - | 05569 | BUSHING | 4M0407183A | 95840769300 PART OF | - | 36 | - | 05520 | TRACK ROD | 4M0501529L | PAB501529 | - |
| | | | | | | | 37 | - | 08414 | STABILIZER LINK | 4K0505465 | 4M0505465D | - |
| | | | | | | | 38 | - | 05439 | BUSHING | 4M0505269 | 4M0505323F PART OF | - |









| Ref | Old code | CODE | Description | OE – Number | OE – Number | FEATURES | Ref | Old code | CODE | Description | OE – Number | OE – Number | FEATURES |
|-----|----------|-------|----------------------|-------------|-----------------------|----------|-----|----------|-------|---------------------|----------------------|----------------------|----------|
| 1 | - | 05454 | STABILIZER LINK | 4G0411317A | 4M0411317 | - | 20 | - | 05437 | BUSHING | 4M0505291D PART OF 1 | 4M0505292D PART OF 1 | - |
| 2 | - | 05560 | STABILIZER LINK | 4M0411317E | 4M0411317F | - | 21 | - | 05439 | BUSHING | 4M0505269 | 4M0505323F PART OF | - |
| 3 | - | 05561 | TIE ROD END LH | 4M0423811B | 4M0423811D | - | 22 | - | 05512 | BUSHING | 4M0505323G PART OF 2 | 8W0505541H | - |
| 4 | - | 05562 | TIE ROD END RH | 4M0423812B | 4M0423812D | - | 23 | - | 08420 | TRACK ROD LH (REAR) | 4M0505291F | - | - |
| 5 | - | 05498 | AXIAL JOINT | 4M0423810C | PAB423810A | - | 24 | - | 08421 | TRACK ROD RH (REAR) | 4M0505292F | - | - |
| 6 | - | 05499 | TRACK CONTROL ARM LH | 4M0407505B | 4M0407505C | - | 25 | - | 05442 | BUSHING | 4M0505291D PART OF 2 | 4M0505292D PART OF 2 | - |
| 7 | - | 05500 | TRACK CONTROL ARM RH | 4M0407506B | 4M0407506C | - | 26 | - | 08412 | TRACK ROD LH (REAR) | 4M0505397Q | 4M0505397R | - |
| 8 | - | 05503 | BUSHING | 4M0407515 | 4M0407515A | - | 27 | - | 08413 | TRACK ROD RH (REAR) | 4M0505398Q | 4M0505398R | - |
| 9 | - | 05501 | TRACK CONTROL ARM LH | 4M0407509B | 4M0407509C | - | 28 | - | 05574 | 4M0505398R | 4M0505397P PART OF 1 | 4M0505397Q PART OF 1 | - |
| 10 | - | 05502 | TRACK CONTROL ARM RH | 4M0407510B | 4M0407510C | - | 29 | - | 05446 | BUSHING | 4K0505397A PART OF | 4M0505397P PART OF 2 | - |
| 11 | - | 05563 | TRACK CONTROL ARM LH | 4M0407151D | 4M0407151F | - | 30 | - | 05570 | TRACK ROD LH | 4KE505397 | 4M0505397P | - |
| 12 | - | 05564 | TRACK CONTROL ARM RH | 4M0407152D | 4M0407152F | - | 31 | - | 05571 | TRACK ROD RH | 4KE505398 | 4M0505398P | - |
| 13 | - | 05506 | BUSHING | 4M0407182 | 4M0407182A | - | 32 | - | 05516 | TRACK ROD LH | 4M0501529A | 4M0501529N | - |
| 14 | - | 05565 | BUSHING | 4M0407181 | 95840715100 PART OF 1 | - | 33 | - | 05517 | TRACK ROD RH | 4M0501530A | 4M0501530N | - |
| 15 | - | 05566 | BALL JOINT (LOWER) | 4M0407689B | 4M0407689C | - | 34 | - | 05518 | BUSHING | 4M0501529A PART OF 1 | 4M0501529L PART OF 1 | - |
| 16 | - | 05567 | TRACK CONTROL ARM LH | 4M0407693C | 4M0407693D | - | 35 | - | 05519 | BUSHING | 4M0501529L PART OF 2 | 4M0501529N PART OF 2 | - |
| 17 | - | 05568 | TRACK CONTROL ARM RH | 4M0407694C | 4M0407694D | - | 36 | - | 05520 | TRACK ROD | 4M0501529L | PAB501529 | - |
| 18 | - | 05569 | BUSHING | 4M0407183A | 95840769300 PART OF | - | 37 | - | 08414 | STABILIZER LINK | 4K0505465 | 4M0505465D | - |
| 19 | - | 05511 | TRACK CONTROL ARM | 4M0505323G | 958505323G | - | 38 | - | 05439 | BUSHING | 4M0505269 | 4M0505323F PART OF | - |
| | | | | | | | 39 | - | 05440 | TRACK ROD LH | 4M0505291D | 4M0505291M | - |
| | | | | | | | 40 | - | 05441 | TRACK ROD RH | 4M0505292D | 4M0505292M | - |









| Ref | Old code | CODE | Description | OE – Number | OE – Number | FEATURES | Ref | Old code | CODE | Description | OE – Number | OE – Number | FEATURES |
|-----|----------|-------|----------------------|-------------|-----------------------|----------|-----|----------|-------|---------------------|----------------------|----------------------|----------|
| 1 | - | 05454 | STABILIZER LINK | 4G0411317A | 4M0411317 | - | 17 | - | 05569 | BUSHING | 4M0407183A | 95840769300 PART OF | - |
| 2 | - | 05561 | TIE ROD END LH | 4M0423811B | 4M0423811D | - | 18 | - | 05511 | TRACK CONTROL ARM | 4M0505323G | 958505323G | - |
| 3 | - | 05562 | TIE ROD END RH | 4M0423812B | 4M0423812D | - | 19 | - | 05437 | BUSHING | 4M0505291D PART OF 1 | 4M0505292D PART OF 1 | - |
| 4 | - | 05498 | AXIAL JOINT | 4M0423810C | PAB423810A | - | 20 | - | 05439 | BUSHING | 4M0505269 | 4M0505323F PART OF | - |
| 5 | - | 05499 | TRACK CONTROL ARM LH | 4M0407505B | 4M0407505C | - | 21 | - | 05512 | BUSHING | 4M0505323G PART OF 2 | 8W0505541H | - |
| 6 | - | 05500 | TRACK CONTROL ARM RH | 4M0407506B | 4M0407506C | - | 22 | - | 08420 | TRACK ROD LH (REAR) | 4M0505291F | - | - |
| 7 | - | 05503 | BUSHING | 4M0407515 | 4M0407515A | - | 23 | - | 08421 | TRACK ROD RH (REAR) | 4M0505292F | - | - |
| 8 | - | 05501 | TRACK CONTROL ARM LH | 4M0407509B | 4M0407509C | - | 24 | - | 05442 | BUSHING | 4M0505291D PART OF 2 | 4M0505292D PART OF 2 | - |
| 9 | - | 05502 | TRACK CONTROL ARM RH | 4M0407510B | 4M0407510C | - | 25 | - | 05570 | TRACK ROD LH | 4KE505397 | 4M0505397P | - |
| 10 | - | 05563 | TRACK CONTROL ARM LH | 4M0407151D | 4M0407151F | - | 26 | - | 05571 | TRACK ROD RH | 4KE505398 | 4M0505398P | - |
| 11 | - | 05564 | TRACK CONTROL ARM RH | 4M0407152D | 4M0407152F | - | 27 | - | 05574 | 4M0505398R | 4M0505397P PART OF 1 | 4M0505397Q PART OF 1 | - |
| 12 | - | 05506 | BUSHING | 4M0407182 | 4M0407182A | - | 28 | - | 05446 | BUSHING | 4K0505397A PART OF | 4M0505397P PART OF 2 | - |
| 13 | - | 05565 | BUSHING | 4M0407181 | 95840715100 PART OF 1 | - | 29 | - | 05520 | TRACK ROD | 4M0501529L | PAB501529 | - |
| 14 | - | 05566 | BALL JOINT (LOWER) | 4M0407689B | 4M0407689C | - | 30 | - | 05519 | BUSHING | 4M0501529L PART OF 2 | 4M0501529N PART OF 2 | - |
| 15 | - | 05567 | TRACK CONTROL ARM LH | 4M0407693C | 4M0407693D | - | 31 | - | 05518 | BUSHING | 4M0501529A PART OF 1 | 4M0501529L PART OF 1 | - |
| 16 | - | 05568 | TRACK CONTROL ARM RH | 4M0407694C | 4M0407694D | - | 32 | - | 08414 | STABILIZER LINK | 4K0505465 | 4M0505465D | - |
| | | | | | | | 33 | - | 05439 | BUSHING | 4M0505269 | 4M0505323F PART OF | - |





1 05454
STD. SUSP.



1 05454
STD. SUSP.



2 05560
ACT. SUSP.



2 05560
ACT. SUSP.



3 05561

5 05498

5 05498

4 05562



6 08457
UPPER



8 08415



7 08458
UPPER



9 08459
UPPER



8 08415



10 08460
UPPER



11 05563
LOWER



13 05506



12 05564
LOWER



15 05566



14 05565



14 05565



15 05566



16 05567



18 05569



17 05568



19 08414



20 05439



19 08414



21 05450



20 05439



21 05450





| Ref | Old code | CODE | Description | OE – Number | OE – Number | FEATURES | Ref | Old code | CODE | Description | OE – Number | OE – Number | FEATURES |
|-----|----------|-------|------------------------------|-------------|-------------|----------|-----|----------|-------|----------------------|-------------|-----------------------|----------|
| 1 | - | 05454 | STABILIZER LINK | 4G0411317A | 4M0411317 | - | 12 | - | 05564 | TRACK CONTROL ARM RH | 4M0407152D | 4M0407152F | - |
| 2 | - | 05560 | STABILIZER LINK | 4M0411317E | 4M0411317F | - | 13 | - | 05506 | BUSHING | 4M0407182 | 4M0407182A | - |
| 3 | - | 05561 | TIE ROD END LH | 4M0423811B | 4M0423811D | - | 14 | - | 05565 | BUSHING | 4M0407181 | 95840715100 PART OF 1 | - |
| 4 | - | 05562 | TIE ROD END RH | 4M0423812B | 4M0423812D | - | 15 | - | 05566 | BALL JOINT (LOWER) | 4M0407689B | 4M0407689C | - |
| 5 | - | 05498 | AXIAL JOINT | 4M0423810C | PAB423810A | - | 16 | - | 05567 | TRACK CONTROL ARM LH | 4M0407693C | 4M0407693D | - |
| 6 | - | 08457 | TRACK CONTROL ARM LH (UPPER) | 4N0407505 | 80A407505 | - | 17 | - | 05568 | TRACK CONTROL ARM RH | 4M0407694C | 4M0407694D | - |
| 7 | - | 08458 | TRACK CONTROL ARM RH (UPPER) | 80A407509 | 4N0407509 | - | 18 | - | 05569 | BUSHING | 4M0407183A | 95840769300 PART OF | - |
| 8 | - | 08415 | BUSHING | 4N0407515 | - | - | 19 | - | 08414 | STABILIZER LINK | 4K0505465 | 4M0505465D | - |
| 9 | - | 08459 | TRACK CONTROL ARM LH (UPPER) | 80A407506 | 4N0407506 | - | 20 | - | 05439 | BUSHING | 4M0505269 | 4M0505323F PART OF | - |
| 10 | - | 08460 | TRACK CONTROL ARM RH (UPPER) | 4N0407510 | 80A407510 | - | 21 | - | 05450 | STABILIZER LINK | 4N0505465F | 8W0505465B | - |
| 11 | - | 05563 | TRACK CONTROL ARM LH | 4M0407151D | 4M0407151F | - | | | | | | | |





1 05454



1 05454



2 05423

4 05498

4 05498

3 05424

UPPER



5 05499



7 05503



6 05500



8 05501



7 05503



9 05502

LOWER



10 05504



12 05506



11 05505



13 05507



14 05459



14 05459



13 05507



15 05508



17 05510



16 05509







| Ref | Old code | CODE | Description | OE – Number | OE – Number | FEATURES | Ref | Old code | CODE | Description | OE – Number | OE – Number | FEATURES |
|-----|----------|-------|----------------------|-------------------|---------------------|----------|-----|----------|-------|----------------------|----------------------|----------------------|----------|
| 1 | - | 05454 | STABILIZER LINK | 4G0411317A | 4M0411317 | - | 18 | - | 05511 | TRACK CONTROL ARM | 958505323G | 4M0505323G | - |
| 2 | - | 05423 | TIE ROD END LH | 8W0423811B | 8W0423811C | - | 19 | - | 05437 | BUSHING | 4M0505291D PART OF 1 | 4M0505323G PART OF 1 | - |
| 3 | - | 05424 | TIE ROD END RH | 8W0423812B | 8W0423812C | - | 20 | - | 05439 | BUSHING | 4M0505269 | 4M0505323G PART OF 3 | - |
| 4 | - | 05498 | AXIAL JOINT | 4M0423810C | PAB423810A | - | 21 | - | 05512 | BUSHING | 8W0505541H | 4M0505323G PART OF 2 | - |
| 5 | - | 05499 | TRACK CONTROL ARM LH | 4M0407505B | 4M0407505C | - | 22 | - | 08420 | TRACK ROD LH | 4M0505291D | 80A505291 | - |
| 6 | - | 05500 | TRACK CONTROL ARM RH | 4M0407506B | 4M0407506C | - | 23 | - | 08421 | TRACK ROD RH | 4M0505292D | 80A505292 | - |
| 7 | - | 05503 | BUSHING | 958407509 PART OF | 958407510 PART OF | - | 24 | - | 05442 | BUSHING | 4M0505291D PART OF 2 | 4M0505541K | - |
| 8 | - | 05501 | TRACK CONTROL ARM LH | 4M0407509B | 958407509C | - | 25 | - | 05513 | TRACK ROD LH (REAR) | 4M0505291F | - | - |
| 9 | - | 05502 | TRACK CONTROL ARM RH | 4M0407510B | 4M0407510C | - | 26 | - | 05514 | TRACK ROD RH (REAR) | 4M0505292F | - | - |
| 10 | - | 05504 | TRACK CONTROL ARM LH | 4K0407151 | 80A407151A | - | 27 | - | 05519 | BUSHING | 4M0505541M | 80A501529A PART OF 2 | - |
| 11 | - | 05505 | TRACK CONTROL ARM RH | 80A407152A | 4K0407152 | - | 28 | - | 05446 | BUSHING | 8K0501541 | 8K0501541B | - |
| 12 | - | 05506 | BUSHING | 4M0407182A | 95840715200 PART OF | - | 29 | - | 05526 | TRACK CONTROL ARM LH | 4K0505397A | 4M0505397L | - |
| 13 | - | 05507 | BALL JOINT (LOWER) | 80A407689B | 80A407689C | - | 30 | - | 05527 | TRACK CONTROL ARM RH | 4M0505398L | 4K0505398A | - |
| 14 | - | 05459 | BUSHING | 4E0407181B | 80A407181 | - | 31 | - | 05516 | TRACK ROD LH | 4M0501529N | 4M0501529Q | - |
| 15 | - | 05508 | TRACK CONTROL ARM LH | 80A407693E | 80A407693D | - | 32 | - | 05517 | TRACK ROD RH | 4M0501530N | PAB501530 | - |
| 16 | - | 05509 | TRACK CONTROL ARM RH | 80A407694D | 80A407694E | - | 33 | - | 05518 | BUSHING | 8W0501537 | 4M0501529N PART OF 1 | - |
| 17 | - | 05510 | BUSHING | 4K0407183 | 4K0407183A | - | 34 | - | 05520 | TRACK ROD | 4M0501529L | PAB501529 | - |
| | | | | | | | 35 | - | 05450 | STABILIZER LINK | 8W0505465B | 4N0505465F | - |
| | | | | | | | 36 | - | 08414 | STABILIZER LINK | 4K0505465 | 4M0505465D | - |





A6 (4A2,C8) (02/2018-->)
A6 AVANT (4A5-C8) (05/2018-->)
A6 ALLROAD (4AH-C8) (11/2018-->)



1 05454



1 05454



2 05423

4 05498

4 05498

3 05424

UPPER



5 05499



7 05503



6 05500



8 05501



7 05503



9 05502

LOWER



10 05504



12 05506



11 05505



13 05507



14 05459



14 05459



13 05507



15 05508



17 05510



16 05509





A6 (4A2,C8) (02/2018-->)
A6 AVANT (4A5-C8) (05/2018-->)
A6 ALLROAD (4AH-C8) (11/2018-->)





A6 (4A2,C8) (02/2018-->)
A6 AVANT (4A5-C8) (05/2018-->)
A6 ALLROAD (4AH-C8) (11/2018-->)

| Ref | Old code | CODE | Description | OE – Number | OE – Number | FEATURES | Ref | Old code | CODE | Description | OE – Number | OE – Number | FEATURES |
|-----|----------|-------|----------------------|-------------------|---------------------|----------|-----|----------|-------|----------------------|----------------------|----------------------|----------|
| 1 | - | 05454 | STABILIZER LINK | 4G0411317A | 4M0411317 | - | 18 | - | 05511 | TRACK CONTROL ARM | 958505323G | 4M0505323G | - |
| 2 | - | 05423 | TIE ROD END LH | 8W0423811B | 8W0423811C | - | 19 | - | 05437 | BUSHING | 4M0505291D PART OF 1 | 4M0505323G PART OF 1 | - |
| 3 | - | 05424 | TIE ROD END RH | 8W0423812B | 8W0423812C | - | 20 | - | 05439 | BUSHING | 4M0505269 | 4M0505323G PART OF 3 | - |
| 4 | - | 05498 | AXIAL JOINT | 4M0423810C | PAB423810A | - | 21 | - | 05512 | BUSHING | 8W0505541H | 4M0505323G PART OF 2 | - |
| 5 | - | 05499 | TRACK CONTROL ARM LH | 4M0407505B | 4M0407505C | - | 22 | - | 08420 | TRACK ROD LH | 4M0505291D | 80A505291 | - |
| 6 | - | 05500 | TRACK CONTROL ARM RH | 4M0407506B | 4M0407506C | - | 23 | - | 08421 | TRACK ROD RH | 4M0505292D | 80A505292 | - |
| 7 | - | 05503 | BUSHING | 958407509 PART OF | 958407510 PART OF | - | 24 | - | 05442 | BUSHING | 4M0505291D PART OF 2 | 4M0505541K | - |
| 8 | - | 05501 | TRACK CONTROL ARM LH | 4M0407509B | 958407509C | - | 25 | - | 05513 | TRACK ROD LH (REAR) | 4M0505291F | - | - |
| 9 | - | 05502 | TRACK CONTROL ARM RH | 4M0407510B | 4M0407510C | - | 26 | - | 05514 | TRACK ROD RH (REAR) | 4M0505292F | - | - |
| 10 | - | 05504 | TRACK CONTROL ARM LH | 4K0407151 | 80A407151A | - | 27 | - | 05519 | BUSHING | 4M0505541M | 80A501529A PART OF 2 | - |
| 11 | - | 05505 | TRACK CONTROL ARM RH | 80A407152A | 4K0407152 | - | 28 | - | 05446 | BUSHING | 8K0501541 | 8K0501541B | - |
| 12 | - | 05506 | BUSHING | 4M0407182A | 95840715200 PART OF | - | 29 | - | 05526 | TRACK CONTROL ARM LH | 4K0505397A | 4M0505397L | - |
| 13 | - | 05507 | BALL JOINT (LOWER) | 80A407689B | 80A407689C | - | 30 | - | 05527 | TRACK CONTROL ARM RH | 4M0505398L | 4K0505398A | - |
| 14 | - | 05459 | BUSHING | 4E0407181B | 80A407181 | - | 31 | - | 05516 | TRACK ROD LH | 4M0501529N | 4M0501529Q | - |
| 15 | - | 05508 | TRACK CONTROL ARM LH | 80A407693E | 80A407693D | - | 32 | - | 05517 | TRACK ROD RH | 4M0501530N | PAB501530 | - |
| 16 | - | 05509 | TRACK CONTROL ARM RH | 80A407694D | 80A407694E | - | 33 | - | 05518 | BUSHING | 8W0501537 | 4M0501529N PART OF 1 | - |
| 17 | - | 05510 | BUSHING | 4K0407183 | 4K0407183A | - | 34 | - | 05520 | TRACK ROD | 4M0501529L | PAB501529 | - |
| | | | | | | | 35 | - | 05450 | STABILIZER LINK | 8W0505465B | 4N0505465F | - |
| | | | | | | | 36 | - | 08414 | STABILIZER LINK | 4K0505465 | 4M0505465D | - |





A4 (8W2,8WC-B9) (05/2015-->)
A4 AVANT (8W5,8WD-B9) (08/2015-->)
A4 QUATTRO (B9) (05/2015-->)
A4 ALLROAD (8WH,8WJ-B9) (01/2016-->)



1 05375



1 05375



2 05454



2 05454



3 05423

5 05425

5 05425

4 05424

UPPER



6 05426



8 05430



7 05427



9 05428



8 05430



10 05429

LOWER



11 05431



13 05459



12 05432



14 05379



15 05460



15 05460



14 05379



16 05433



18 05006



17 05434





A4 (8W2,8WC-B9) (05/2015-->)
A4 AVANT (8W5,8WD-B9) (08/2015-->)
A4 QUATTRO (B9) (05/2015-->)
A4 ALLROAD (8WH,8WJ-B9) (01/2016-->)





A4 (8W2,8WC-B9) (05/2015-->)
A4 AVANT (8W5,8WD-B9) (08/2015-->)
A4 QUATTRO (B9) (05/2015-->)
A4 ALLROAD (8WH,8WJ-B9) (01/2016-->)

| Ref | Old code | CODE | Description | OE - Number | OE - Number | FEATURES | Ref | Old code | CODE | Description | OE - Number | OE - Number | FEATURES |
|-----|----------|-------|----------------------|-------------|--------------|----------|-----|----------|-------|----------------------|----------------------|----------------------|----------|
| 1 | - | 05375 | STABILIZER LINK | 8K0411317D | 8K0411317DS1 | - | 17 | - | 05434 | TRACK CONTROL ARM RH | 8W0407694B | - | - |
| 2 | - | 05454 | STABILIZER LINK | 4G0411317A | 4M0411317 | - | 18 | - | 05006 | BUSHING | 8K0407183D | 8K0407183F | - |
| 3 | - | 05423 | TIE ROD END LH | 8W0423811B | 8W0423811C | - | 19 | - | 05435 | TRACK CONTROL ARM LH | 8W0505323F | - | - |
| 4 | - | 05424 | TIE ROD END RH | 8W0423812B | 8W0423812C | - | 20 | - | 05436 | TRACK CONTROL ARM RH | 8W0505324F | - | - |
| 5 | - | 05425 | AXIAL JOINT | 8W0423810 | 8W0423810A | - | 21 | - | 05437 | BUSHING | 4M0505291D PART OF 1 | 4M0505292D PART OF 1 | - |
| 6 | - | 05426 | TRACK CONTROL ARM LH | 8W0407505C | - | - | 22 | - | 05438 | BUSHING | 8W0505323F PART OF 2 | 8W0505324F PART OF 2 | - |
| 7 | - | 05427 | TRACK CONTROL ARM RH | 8W0407506C | - | - | 23 | - | 05439 | BUSHING | 4M0505269 | 4M0505323F PART OF | - |
| 8 | - | 05430 | BUSHING | 8W0407515 | - | - | 24 | - | 05440 | TRACK ROD LH | 4M0505291D | 4M0505291M | - |
| 9 | - | 05428 | TRACK CONTROL ARM LH | 8W0407509B | - | - | 25 | - | 05441 | TRACK ROD RH | 4M0505292D | 4M0505292M | - |
| 10 | - | 05429 | TRACK CONTROL ARM RH | 8W0407510B | - | - | 26 | - | 05442 | BUSHING | 4M0505291D PART OF 2 | 4M0505292D PART OF 2 | - |
| 11 | - | 05431 | TRACK CONTROL ARM LH | 8W0407151A | 8W0407151C | - | 27 | - | 05443 | TRACK ROD LH | 8W0505397E | 8W0505397C | - |
| 12 | - | 05432 | TRACK CONTROL ARM RH | 8W0407152A | 8W0407152C | - | 28 | - | 05444 | TRACK ROD RH | 8W0505398C | 8W0505398E | - |
| 13 | - | 05459 | BUSHING | 4E0407181B | 80A407181 | - | 29 | - | 05445 | BUSHING | 8W0501529D PART OF 1 | 8W0501530D PART OF 1 | - |
| 14 | - | 05379 | BALL JOINT (LOWER) | 4G0407689A | 4G0407689C | - | 30 | - | 05446 | BUSHING | 4K0505397A PART OF | 4M0505397P PART OF 2 | - |
| 15 | - | 05460 | BUSHING | 8K0407182A | 8K0407182B | - | 31 | - | 05447 | TRACK ROD LH | 8W0501529D | - | - |
| 16 | - | 05433 | TRACK CONTROL ARM LH | 8W0407693B | - | - | 32 | - | 05448 | TRACK ROD RH | 8W0501530D | - | - |
| | | | | | | | 33 | - | 05449 | BUSHING | 8W0501530D PART OF 2 | 8W0501537B | - |
| | | | | | | | 34 | - | 05450 | STABILIZER LINK | 4N0505465F | 8W0505465B | - |
| | | | | | | | 35 | - | 05439 | BUSHING | 4M0505269 | 4M0505323F PART OF | - |





A5 COUPE (F53,F5P) (06/2016-->)
A5 SPORTBACK (F5A,F5F) (09/2016-->)
A5 CABRIO (F57,F5E) (11/2016-->)



1 05375



1 05375



2 05423

4 05425

4 05425

3 05424

UPPER



5 05426



9 05430



6 05427



7 08416

--> 08/2018



8 08417



10 05428



14 08415



11 05429



12 08418

09/2018 -->



13 08419

LOWER



15 05431



17 05459



16 05432



18 05379



19 05460



19 05460



18 05379



20 05433



22 05006



21 05434





A5 COUPE (F53,F5P) (06/2016-->)
A5 SPORTBACK (F5A,F5F) (09/2016-->)
A5 CABRIO (F57,F5E) (11/2016-->)





A5 COUPE (F53,F5P) (06/2016-->)
A5 SPORTBACK (F5A,F5F) (09/2016-->)
A5 CABRIO (F57,F5E) (11/2016-->)

| Ref | Old code | CODE | Description | OE - Number | OE - Number | FEATURES | Ref | Old code | CODE | Description | OE - Number | OE - Number | FEATURES |
|-----|----------|-------|----------------------|-------------|--------------------|----------|-----|----------|-------|----------------------|----------------------|----------------------|----------|
| 1 | - | 05375 | STABILIZER LINK | 8K0411317D | 8K0411317DS1 | - | 19 | - | 05460 | BUSHING | 8K0407182A | 8K0407182B | - |
| 2 | - | 05423 | TIE ROD END LH | 8W0423811B | 8W0423811C | - | 20 | - | 05433 | TRACK CONTROL ARM LH | 8W0407693B | - | - |
| 3 | - | 05424 | TIE ROD END RH | 8W0423812B | 8W0423812C | - | 21 | - | 05434 | TRACK CONTROL ARM RH | 8W0407694B | - | - |
| 4 | - | 05425 | AXIAL JOINT | 8W0423810 | 8W0423810A | - | 22 | - | 05006 | BUSHING | 8K0407183D | 8K0407183F | - |
| 5 | - | 05426 | TRACK CONTROL ARM LH | 8W0407505C | - | - | 23 | - | 05435 | TRACK CONTROL ARM LH | 8W0505323F | - | - |
| 6 | - | 05427 | TRACK CONTROL ARM RH | 8W0407506C | - | - | 24 | - | 05436 | TRACK CONTROL ARM RH | 8W0505324F | - | - |
| 7 | - | 08416 | TRACK CONTROL ARM LH | 8W0407505A | 8W0407505C PART OF | - | 25 | - | 05437 | BUSHING | 4M0505291D PART OF 1 | 4M0505292D PART OF 1 | - |
| 8 | - | 08417 | TRACK CONTROL ARM RH | 8W0407506A | 8W0407506C PART OF | - | 26 | - | 05439 | BUSHING | 4M0505269 | 4M0505323F PART OF | - |
| 9 | - | 05430 | BUSHING | 8W0407515 | - | - | 27 | - | 05438 | BUSHING | 8W0505323F PART OF 2 | 8W0505324F PART OF 2 | - |
| 10 | - | 05428 | TRACK CONTROL ARM LH | 8W0407509B | - | - | 28 | - | 05440 | TRACK ROD LH | 4M0505291D | 4M0505291M | - |
| 11 | - | 05429 | TRACK CONTROL ARM RH | 8W0407510B | - | - | 29 | - | 05441 | TRACK ROD RH | 4M0505292D | 4M0505292M | - |
| 12 | - | 08418 | TRACK CONTROL ARM LH | 8W0407509A | 8W0407509B PART OF | - | 30 | - | 05442 | BUSHING | 4M0505291D PART OF 2 | 4M0505292D PART OF 2 | - |
| 13 | - | 08419 | TRACK CONTROL ARM RH | 8W0407510E | 8W0407510A | - | 31 | - | 05443 | TRACK ROD LH | 8W0505397E | 8W0505397C | - |
| 14 | - | 08415 | BUSHING | 4N0407515 | - | - | 32 | - | 05444 | TRACK ROD RH | 8W0505398C | 8W0505398E | - |
| 15 | - | 05431 | TRACK CONTROL ARM LH | 8W0407151A | 8W0407151C | - | 33 | - | 05445 | BUSHING | 8W0501529D PART OF 1 | 8W0501530D PART OF 1 | - |
| 16 | - | 05432 | TRACK CONTROL ARM RH | 8W0407152A | 8W0407152C | - | 34 | - | 05446 | BUSHING | 4K0505397A PART OF | 4M0505397P PART OF 2 | - |
| 17 | - | 05459 | BUSHING | 4E0407181B | 80A407181 | - | 35 | - | 05447 | TRACK ROD LH | 8W0501529D | - | - |
| 18 | - | 05379 | BALL JOINT (LOWER) | 4G0407689A | 4G0407689C | - | 36 | - | 05448 | TRACK ROD RH | 8W0501530D | - | - |
| | | | | | | | 37 | - | 05449 | BUSHING | 8W0501530D PART OF 2 | 8W0501537B | - |
| | | | | | | | 38 | - | 05450 | STABILIZER LINK | 4N0505465F | 8W0505465B | - |
| | | | | | | | 39 | - | 05439 | BUSHING | 4M0505269 | 4M0505323F PART OF | - |

